



US00D928373S

(12) **United States Design Patent**
Haggar

(10) **Patent No.:** **US D928,373 S**

(45) **Date of Patent:** **** Aug. 17, 2021**

- (54) **CEILING FAN LIGHT**
- (71) Applicant: **HUNTER FAN COMPANY**,
Memphis, TN (US)
- (72) Inventor: **Alexander Jonathan Haggar**,
Memphis, TN (US)
- (73) Assignee: **Hunter Fan Company**, Memphis, TN
(US)
- (**) Term: **15 Years**
- (21) Appl. No.: **29/647,029**
- (22) Filed: **May 9, 2018**

4,344,116 A * 8/1982 Martin H01R 13/717
362/644

D297,974 S 10/1988 Sonneman
D312,688 S 12/1990 Mason
D314,618 S 2/1991 Yen
D322,475 S 12/1991 Markwardt
D328,785 S 8/1992 Markwardt
D333,867 S 3/1993 Markwardt
D402,772 S * 12/1998 Lodhie D26/26
D430,930 S 9/2000 Zuege
D468,034 S * 12/2002 Yu D26/26
D480,465 S 10/2003 Wilson
D482,484 S * 11/2003 Benghozi D26/85

(Continued)

Related U.S. Application Data

- (60) Continuation of application No. 29/619,358, filed on
Sep. 28, 2017, now Pat. No. Des. 820,971, which is
a division of application No. 29/579,420, filed on Sep.
29, 2016, now Pat. No. Des. 805,623.
- (51) **LOC (13) Cl.** **26-05**
- (52) **U.S. Cl.**
USPC **D26/59**; D26/89; D26/124
- (58) **Field of Classification Search**
USPC D26/24, 26, 34, 36, 51, 59, 72, 85, 88,
D26/89, 104, 110, 112, 118, 119,
D26/121-124, 128-137; D23/370,
D23/377-382, 411-414
CPC F04D 25/088; F04D 29/38; F21V 21/03;
B63H 1/16
See application file for complete search history.

References Cited

U.S. PATENT DOCUMENTS

D47,590 S * 7/1915 Guth D26/130
D47,610 S * 7/1915 Owen D26/130
D213,464 S * 3/1969 Meyer D26/89
D252,954 S * 9/1979 Shiibashi D26/26

OTHER PUBLICATIONS

<http://www.kichler.com/products/product/42-inch-innes-ii-fan-ni-300130ni.aspx>, Item Specification for Innes II 42" Collection 42 Inch Innes II Fan NI, accessed on Sep. 29, 2016.

(Continued)

Primary Examiner — Janice Hallmark

(74) *Attorney, Agent, or Firm* — McGarry Bair PC

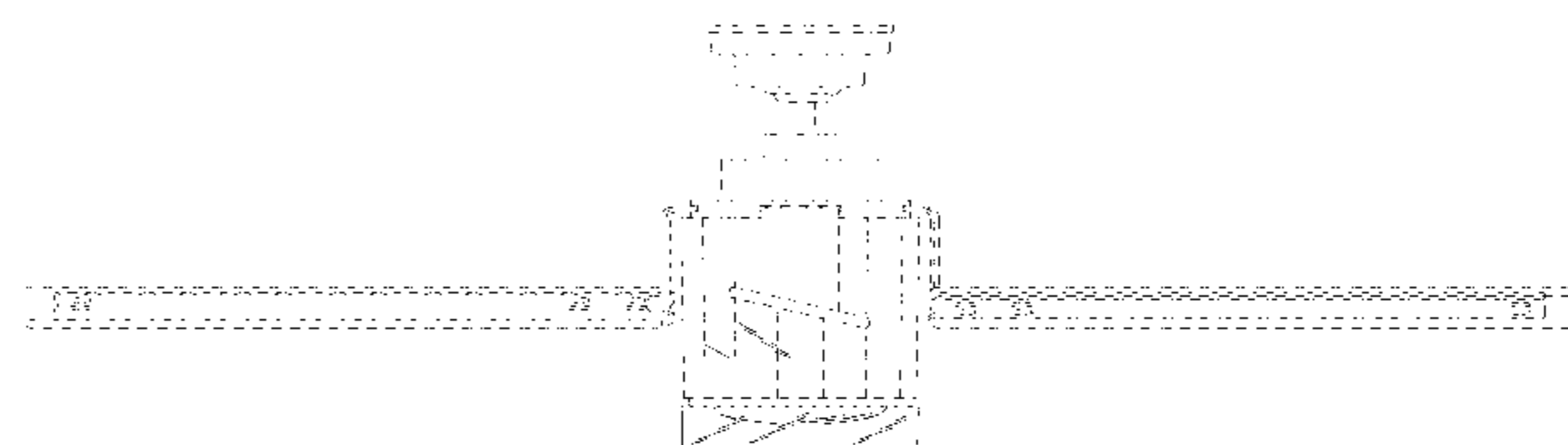
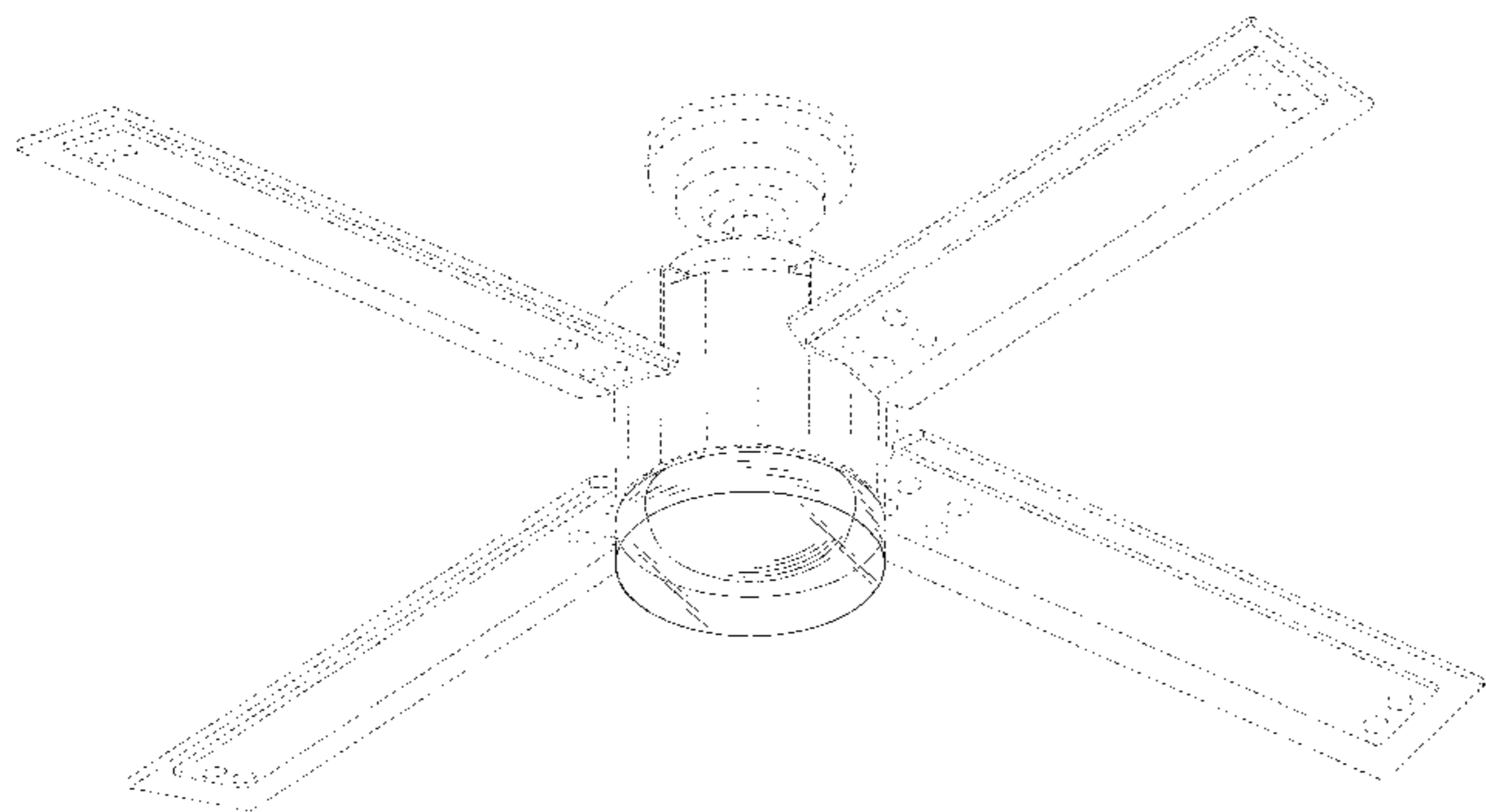
(57) **CLAIM**

The ornamental design for a ceiling fan light, as shown and described.

DESCRIPTION

FIG. 1 is a top perspective view of a ceiling fan light in the environment of a ceiling fan, showing my new design;
FIG. 2 is a bottom perspective view of the ceiling fan light in the environment of the ceiling fan of FIG. 1;
FIG. 3 is a bottom view of the ceiling fan light in the environment of the ceiling fan of FIG. 1; and,
FIG. 4 is a side view of the ceiling fan light kit in the environment of the ceiling fan of FIG. 1.
Portions of the ceiling fan light and ceiling fan environment shown in broken lines form no part of the claimed design.

1 Claim, 4 Drawing Sheets



(56)

References Cited

U.S. PATENT DOCUMENTS

D490,183 S * 5/2004 Benensohn D26/79
 D498,871 S * 11/2004 Benensohn D26/89
 D501,573 S * 2/2005 Benensohn D26/89
 D515,695 S 2/2006 Badarello
 D580,045 S 11/2008 Orozco
 D594,542 S 6/2009 Pan
 D596,737 S 7/2009 Pan
 D603,955 S 11/2009 Patton
 D607,600 S * 1/2010 Keith D26/85
 D607,988 S 1/2010 Oleson
 D609,799 S 2/2010 Lee
 D627,053 S * 11/2010 Pan D23/411
 D628,688 S 12/2010 Pan
 D647,227 S * 10/2011 Kaule D26/24
 D681,867 S * 5/2013 Wegger D26/124
 D694,463 S * 11/2013 Sieczkowski D26/124
 D706,407 S 6/2014 Wang
 D726,299 S 4/2015 Schulzman
 D736,449 S * 8/2015 Getty D26/110
 D741,988 S 10/2015 Pan
 D744,083 S 11/2015 Wang
 D744,084 S 11/2015 Wang
 D744,634 S 12/2015 Wang
 D745,658 S 12/2015 Wang
 D765,903 S * 9/2016 Zhang D26/89
 D774,175 S 12/2016 Wang
 D776,251 S 1/2017 Pickett
 D778,422 S 2/2017 Gajewski
 D785,848 S * 5/2017 Couture D26/89
 D788,286 S * 5/2017 Busta D23/411
 D796,024 S * 8/2017 Holmes D23/377
 D796,659 S * 9/2017 Schulzman D23/377
 D797,274 S 9/2017 Wang
 D799,687 S 10/2017 Wang
 D801,516 S 10/2017 Wang
 D803,470 S * 11/2017 Austin, III D26/118
 D805,623 S 12/2017 Haggar
 D808,565 S * 1/2018 Ambrozus D26/74
 D810,970 S * 2/2018 Thompson D26/26
 D834,236 S * 11/2018 Amato D26/89
 D834,734 S * 11/2018 Guthrie D26/59
 D846,170 S * 4/2019 McRoberts D26/59
 D851,321 S * 6/2019 Vanslambrouck D26/89
 D856,143 S * 8/2019 Tartock D9/454
 D857,970 S * 8/2019 Yang D26/89
 D860,428 S * 9/2019 Orozco D23/377
 D860,429 S * 9/2019 Orozco D23/377
 D873,469 S * 1/2020 Nielsen D26/89
 D873,470 S * 1/2020 Nielsen D26/89
 D873,471 S * 1/2020 Nielsen D26/89
 D877,316 S * 3/2020 Wang D23/411
 D878,639 S * 3/2020 Luo D26/24
 D878,652 S * 3/2020 McRoberts D26/59
 D878,653 S * 3/2020 Haggar D26/59
 D885,638 S * 5/2020 Guo D26/89

D888,313 S * 6/2020 Xie D26/74
 2010/0278637 A1 11/2010 Oleson et al.
 2013/0220542 A1 8/2013 Parkin

OTHER PUBLICATIONS

<http://www.ylighting.com/modern-fan-flute-ceiling-fan.html>, Item Specification for Modern Fan Company Flute Ceiling Fan, accessed on Sep. 29, 2016.
<http://www.minkagroup.net/products/f828-whf>, Item Specification for F828-WHF Symbio, accessed Sep. 29, 2016.
<http://www.craftmade.com/Craftmade-KAP54BNK3-Nickel-Ceiling-Fan.HTM>, Item Specification for KAP54BNK3—Kapiz, accessed Sep. 29, 2016.
<http://www.craftmade.com/Craftmade-SON52CH-Chrome-Ceiling-Fan-Motor.HTM>, Item Specification for SON52CH—Sonnet, accessed Sep. 29, 2016.
<http://www.fanimation.com/products/index.php/fans/zonix-led.html>, Item Specification for Zonix LED, accessed Sep. 29, 2016.
<http://www.quoruminternational.com/index.cfm/app/productDetail?product=96608-65>, Item Specification for 96608-65, accessed Sep. 29, 2016.
<http://www.homedepot.com/p/Replacement-Ceiling-Fan-Blades-Beech-Walnut-5-Pack-FB14909/206300370>, Replacement Ceiling Fan Blades Beech/Walnut (5-Pack), accessed Sep. 29, 2016.
<http://www.kichler.com/products/product/48-in-pc-blade-for-arkwright-ap-370029ap.aspx>, Arkwright Collection 48 In. PC Blade for Arkwright AP, accessed Sep. 29, 2016.
<http://www.minkagroup.net/all-collections?keys=symbio>, Symbio 56" Ceiling Fan, accessed Sep. 29, 2016.
<http://www.minkagroup.net/all-collections?keys=flyte>, Flyte 56" Ceiling Fan, accessed Sep. 29, 2016.
<http://www.ylighting.com/modern-fan-torsion-ceiling-fan.html>, Modern Fan Company Torsion Ceiling Fan, accessed Sep. 29, 2016.
<http://www.hunterfan.com/Ceiling-Fans/Stockbridge?ModelNumber=55042>, Stockbridge®—70" Ceiling Fan, accessed Sep. 29, 2016.
<http://www.horchow.com/Milo-52-Acrylic-Ceiling-Fan/cprod107380005/p.prod>, Milo 52" Acrylic Ceiling Fan, accessed Sep. 29, 2016.
<http://www.minkagroup.net/products/f803-dk>, Minka Artemis F803-DK, accessed Sep. 29, 2016.
<http://www.delmarfans.com/quorum-ceiling-fans/prizzm/400525-14/>, Quorum 400525-14, Prizzm Chrome 52" Ceiling Fan, accessed Sep. 29, 2016.
<http://www.quorumlightinglights.com/product/quorum-retro-indoor-ceiling-fans-93524-14.html>, Quorum 93524-14 Retro 52 inch Chrome with Clear Acrylic Blades Ceiling Fan, accessed Sep. 29, 2016.
<http://www.quorumlightinglights.com/product/quorum-jellyfish-indoor-ceiling-fans-14583-914.html>, Quorum 14583-914 Jellyfish 58 inch Chrome with Clear Blades Ceiling Fan, accessed Sep. 29, 2016.
<https://protect-us.mimecast.com/s/JYu2CmZ6XDsp8BCQywA->, Modern Forms Wynd 42 Ceiling Fan, Model No. FR-W1801 in Stainless Steel, accessed Apr. 11, 2018.

* cited by examiner

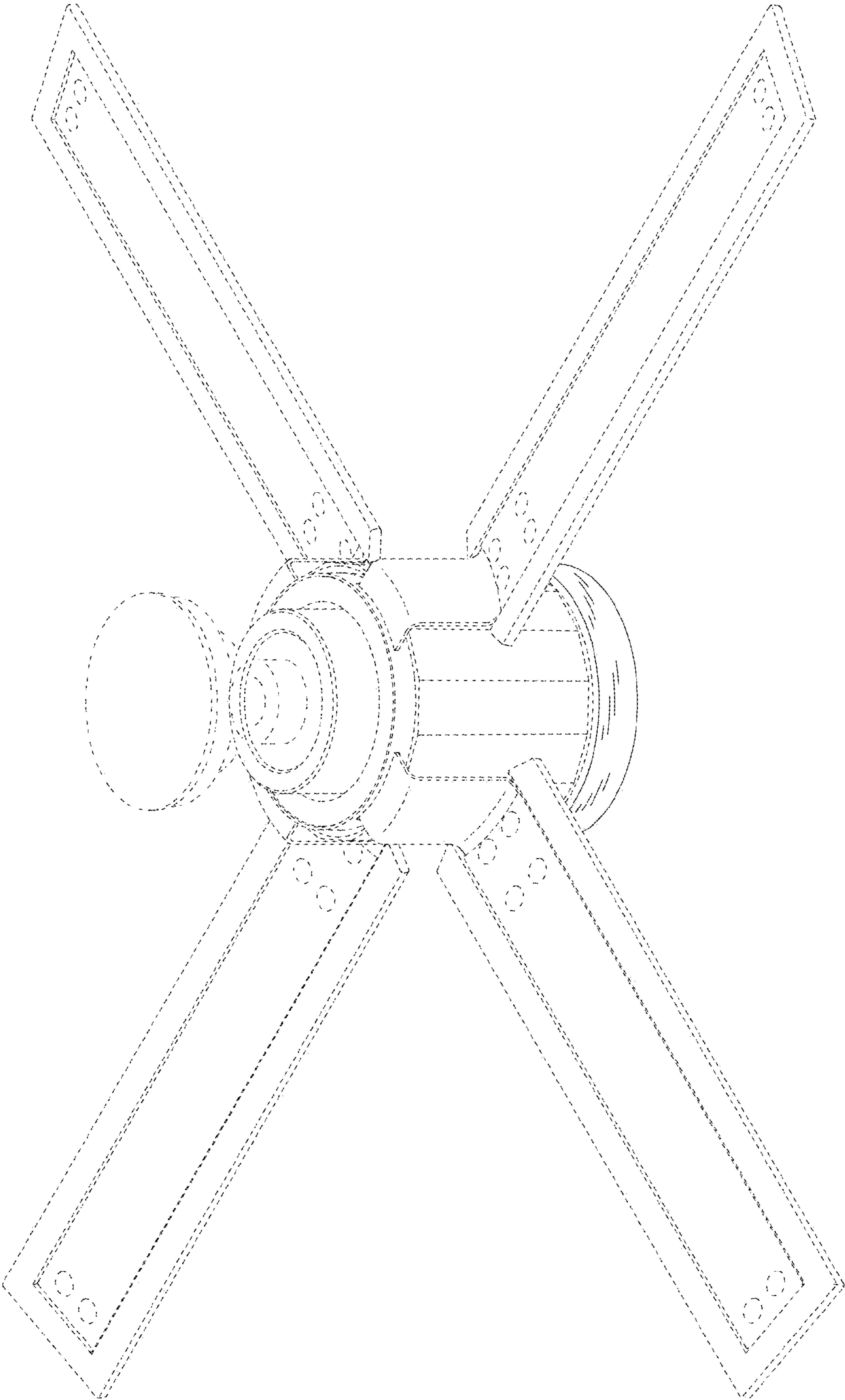


FIG.1

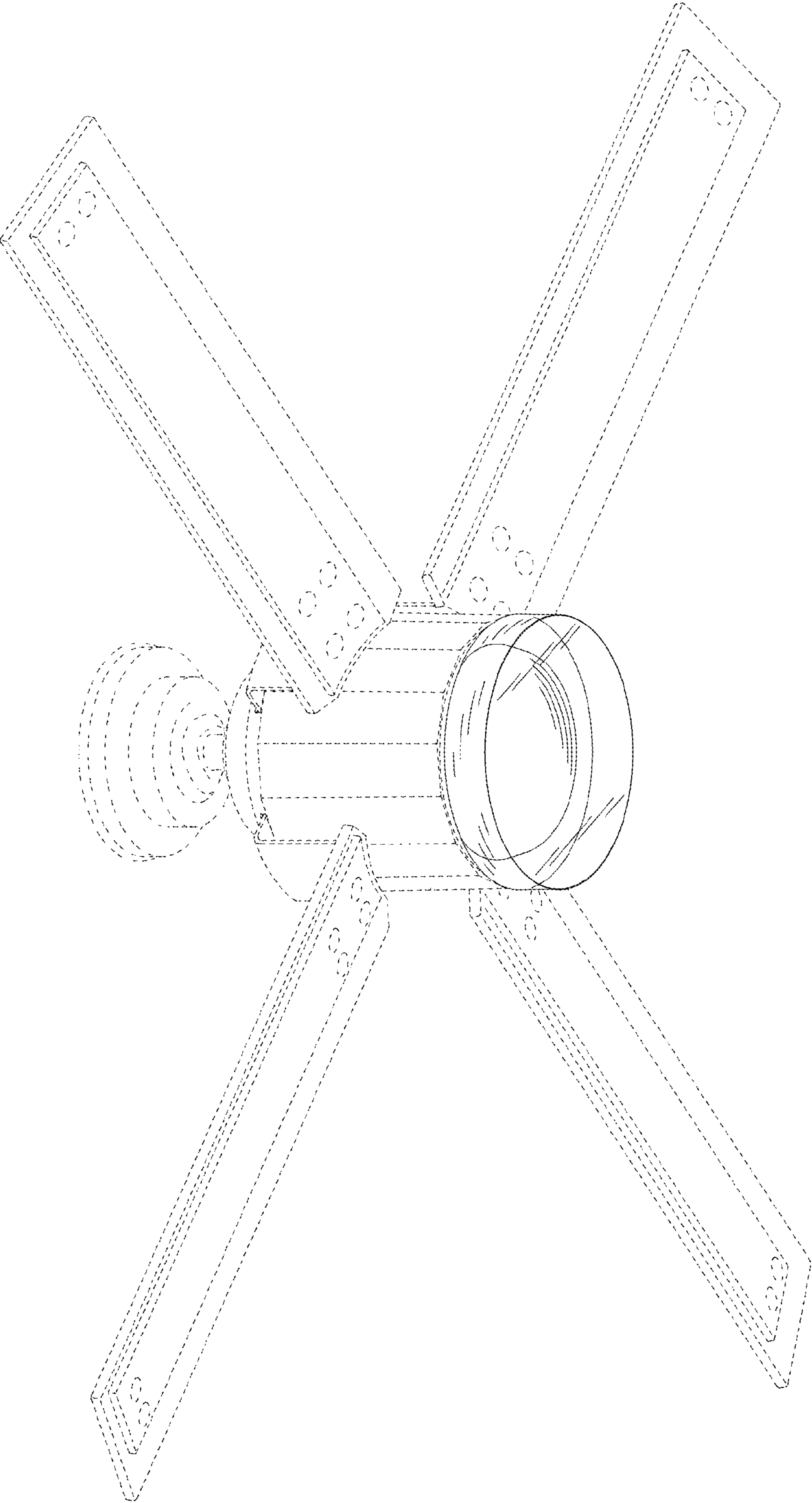


FIG.2

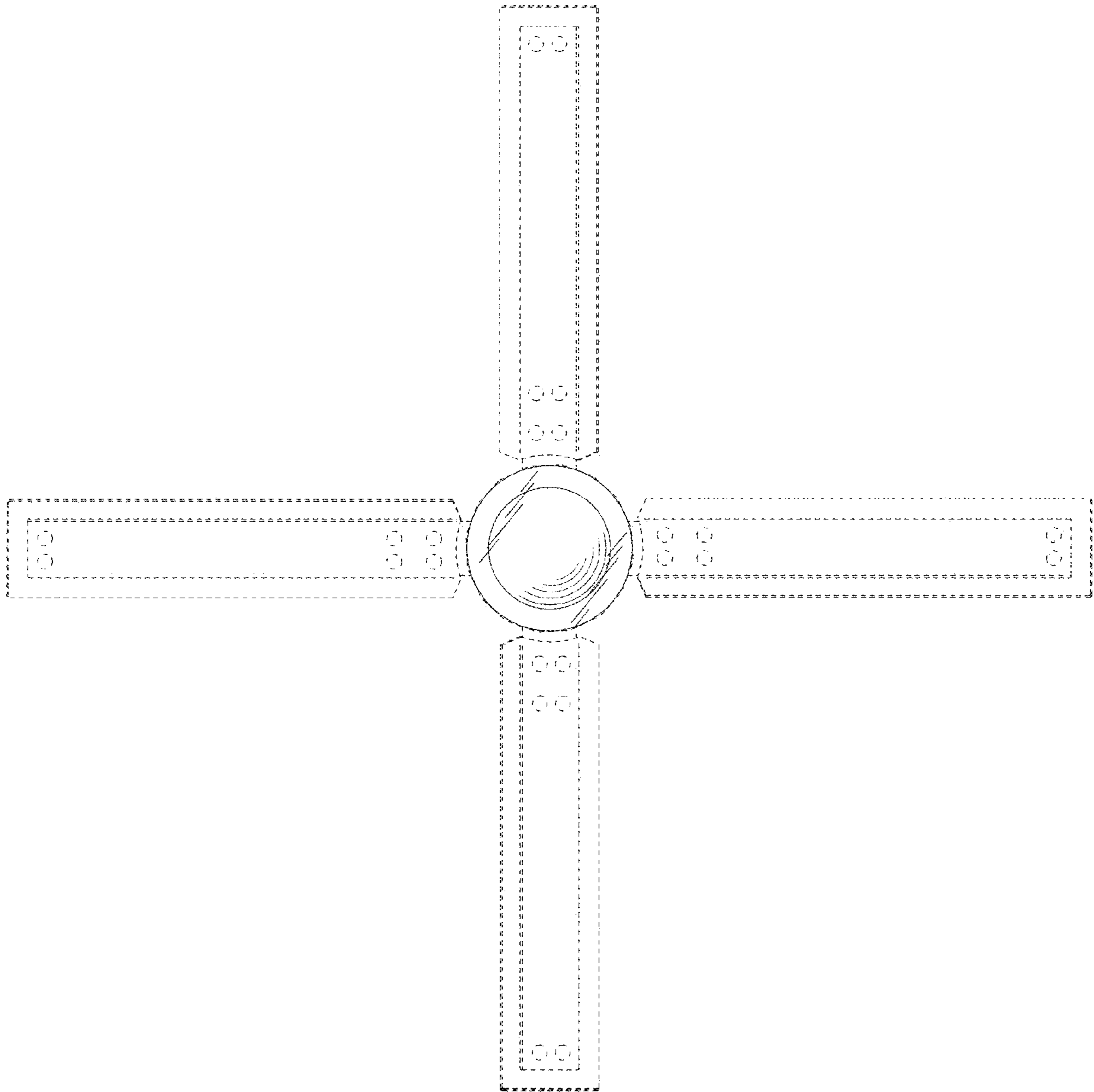


FIG. 3

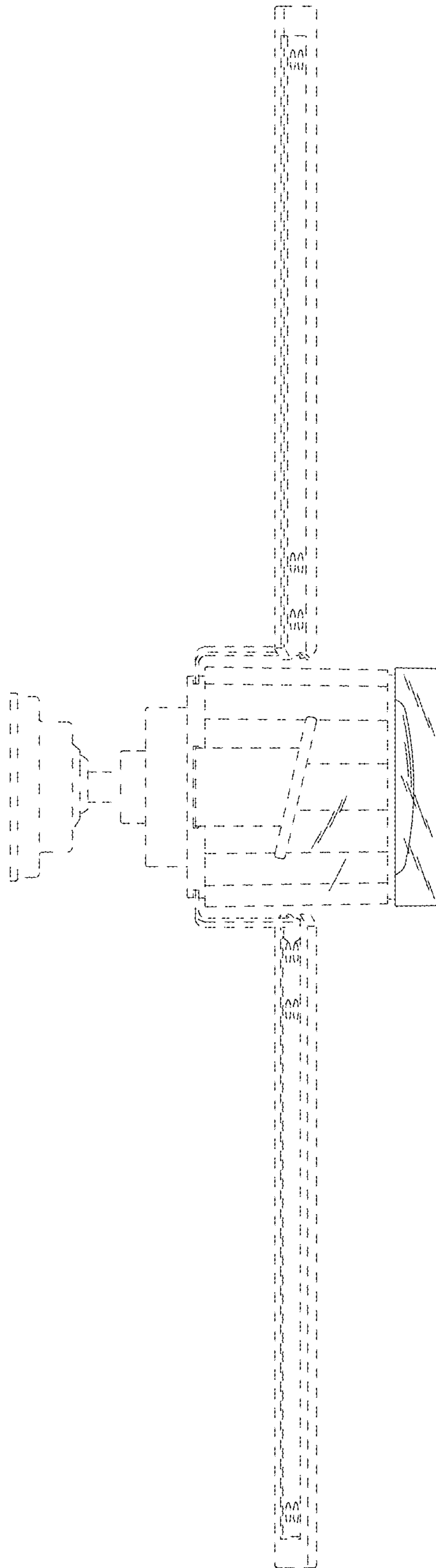


FIG.4