



US00D928370S

(12) **United States Design Patent** (10) **Patent No.:** **US D928,370 S**
Mao (45) **Date of Patent:** **** Aug. 17, 2021**

(54) **FLASHLIGHT**
(71) Applicant: **Ningbo Sunree Outdoor Products Co., Ltd., Cixi (CN)**
(72) Inventor: **Huanjun Mao, Cixi (CN)**
(**) Term: **15 Years**
(21) Appl. No.: **29/713,318**
(22) Filed: **Nov. 15, 2019**
(51) **LOC (13) Cl.** **26-02**
(52) **U.S. Cl.**
USPC **D26/44**
CPC **F21L 4/02 (2013.01)**
(58) **Field of Classification Search**
USPC D26/37-51
CPC F21L 2003/00; F21L 4/005; F21L 4/025;
F21L 4/027; F21L 4/04; F21L 4/08; F21L
13/00; F21L 13/08; F21L 14/02; F21L
19/00; F21L 2/00; F21L 4/00-4/085;
F21L 15/00-15/14; F21L 2001/00; F21L
2005/00; F21L 25/00
See application file for complete search history.

D693,951 S * 11/2013 Rugendyke D26/46
D752,263 S * 3/2016 Keeley F21L 4/04
D26/44
D767,184 S * 9/2016 Fitch D26/44
D810,980 S * 2/2018 Rosandick D26/44
D836,229 S * 12/2018 Jeon D26/44
D837,428 S * 1/2019 Arena D26/44
D863,636 S * 10/2019 Soo D26/46
D866,030 S * 11/2019 Bao D26/44

* cited by examiner

Primary Examiner — Richard E Chilcot

(57) **CLAIM**

The ornamental design for a multi functional flashlight, as shown and described.

DESCRIPTION

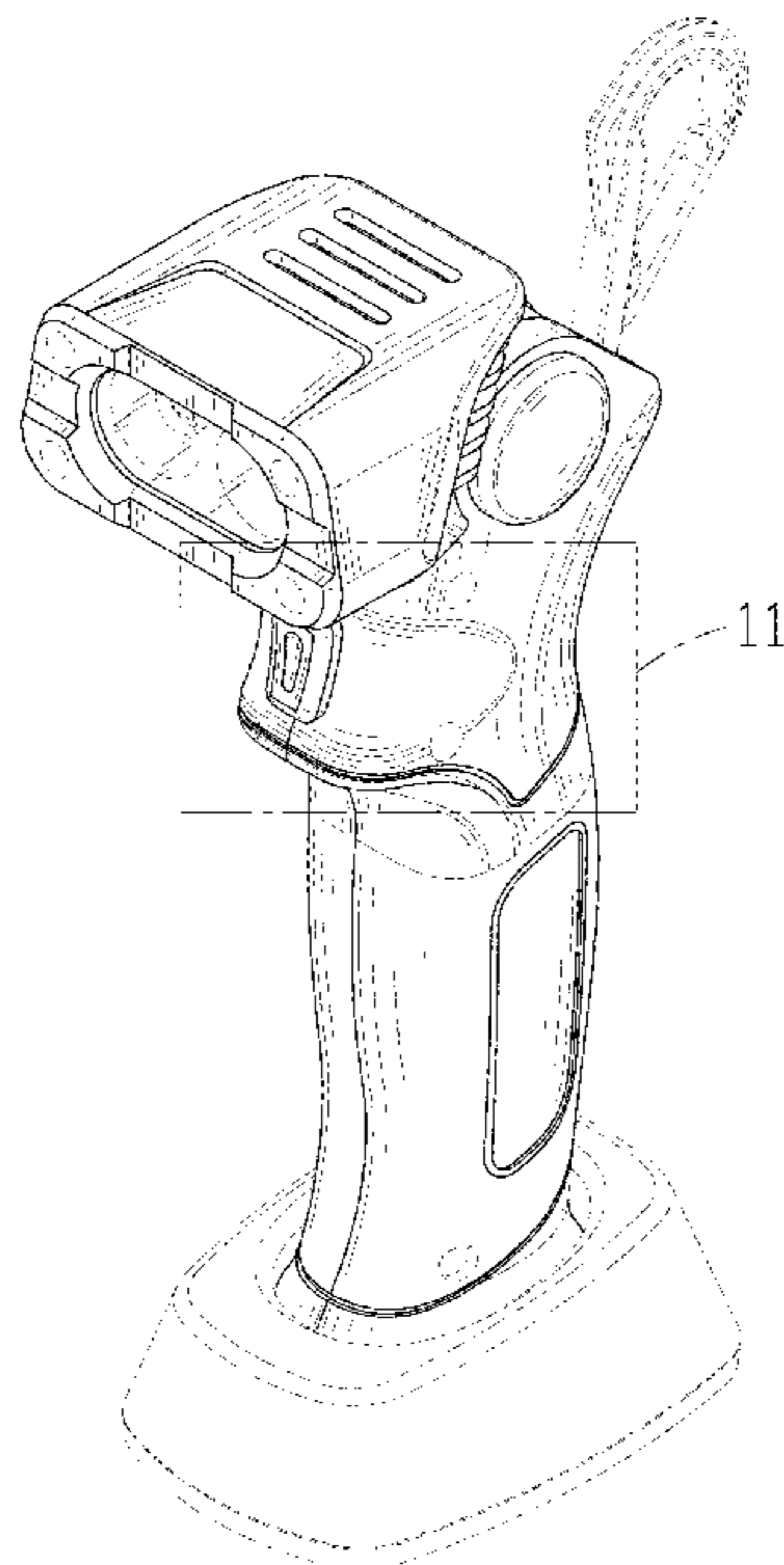
FIG. 1 is a perspective view of a flashlight showing my new design;
FIG. 2 is a front view thereof;
FIG. 3 is a back view thereof;
FIG. 4 is a left side view thereof;
FIG. 5 is a right side view thereof;
FIG. 6 is a top view thereof;
FIG. 7 is a bottom view thereof;
FIG. 8 is a perspective view of a second state of the flashlight thereof;
FIG. 9 is a perspective view of a third state thereof;
FIG. 10 is a perspective view of a separated state thereof.
FIG. 11 is an enlarged view of the selected portion in FIG. 1; and,
FIG. 12 is an enlarged view of the selected portion in FIG. 3.
The broken lines shown in the drawings depict portions of the flashlight in which the design is embodied that form no part of the claimed design.

(56) **References Cited**

U.S. PATENT DOCUMENTS

D444,582 S * 7/2001 Poon D26/44
D499,826 S * 12/2004 Ping D26/44
D507,371 S * 7/2005 Heun D26/44
D514,721 S * 2/2006 Osiecki D26/44
D516,234 S * 2/2006 Holsinger D26/37
D549,863 S * 8/2007 Garrity D26/37
D552,280 S * 10/2007 Osiecki D26/44
D564,114 S * 3/2008 Wei D26/44
D590,971 S * 4/2009 Spartano D26/44
D604,876 S * 11/2009 Chadwick D26/44
D681,246 S * 4/2013 Keeley D26/44

1 Claim, 12 Drawing Sheets



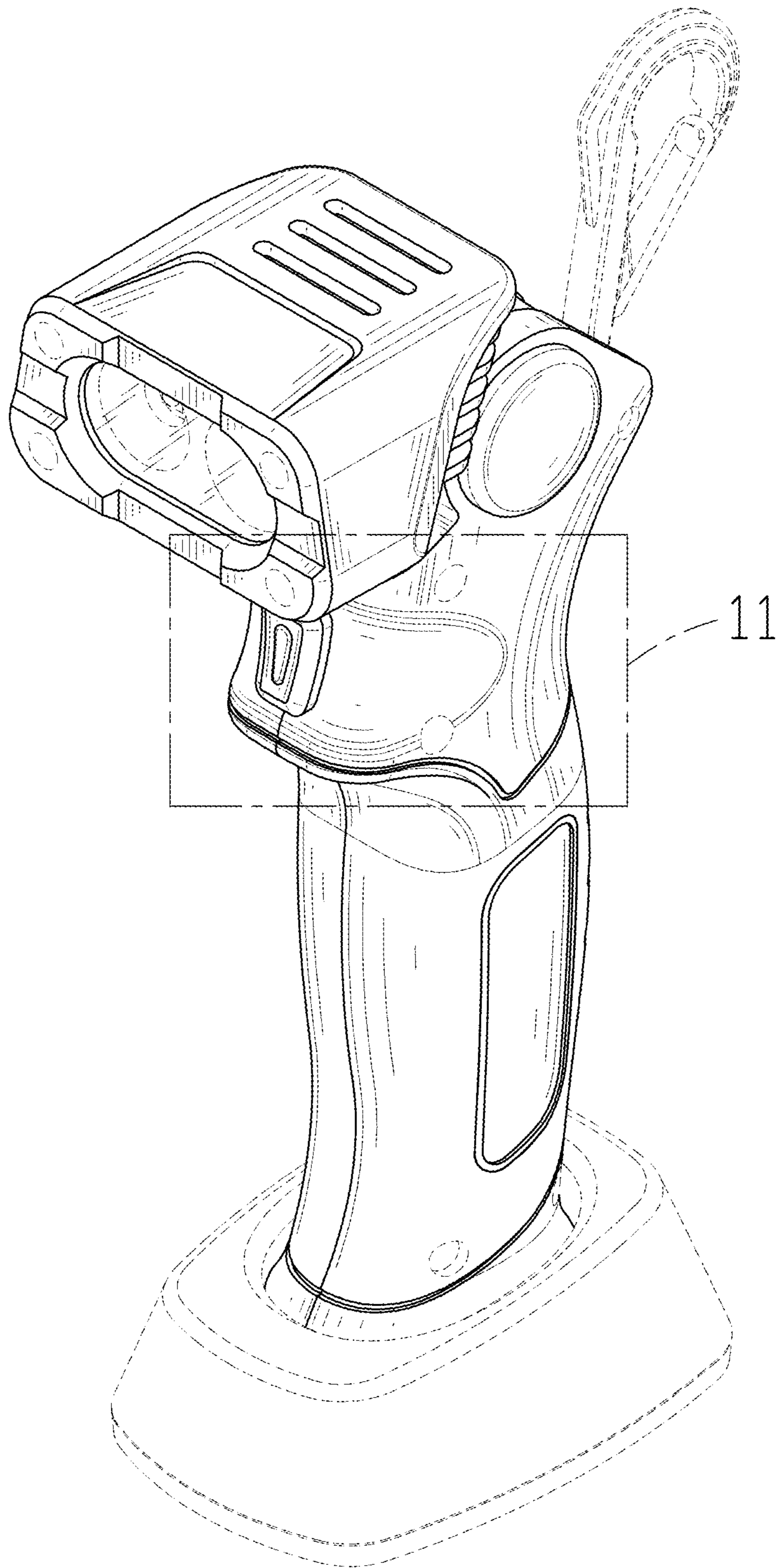


FIG. 1

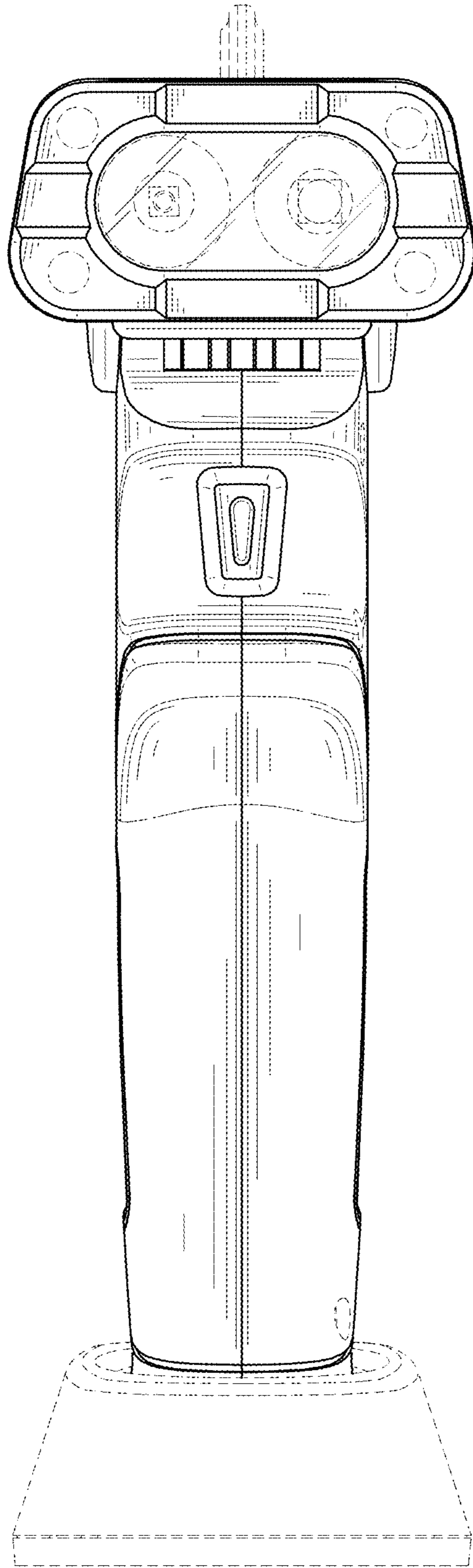


FIG. 2

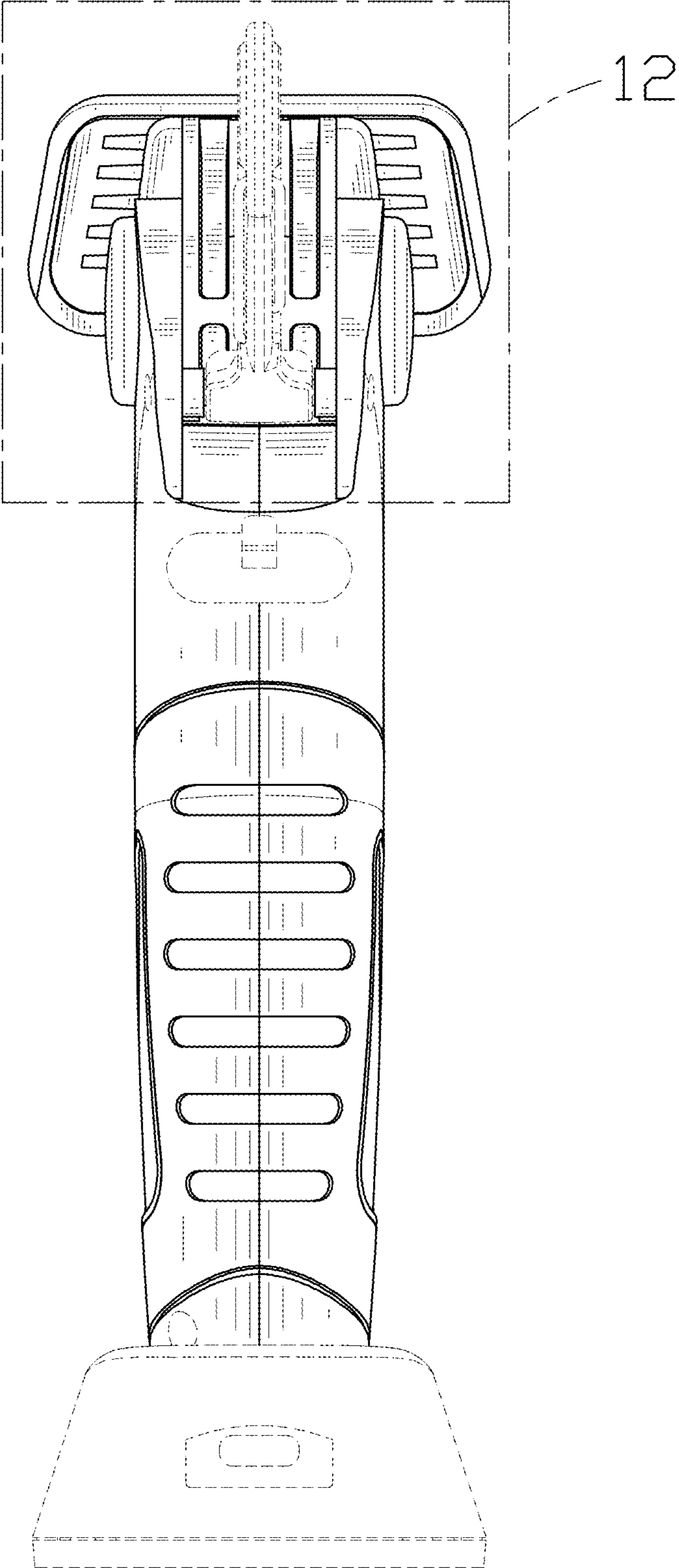


FIG. 3

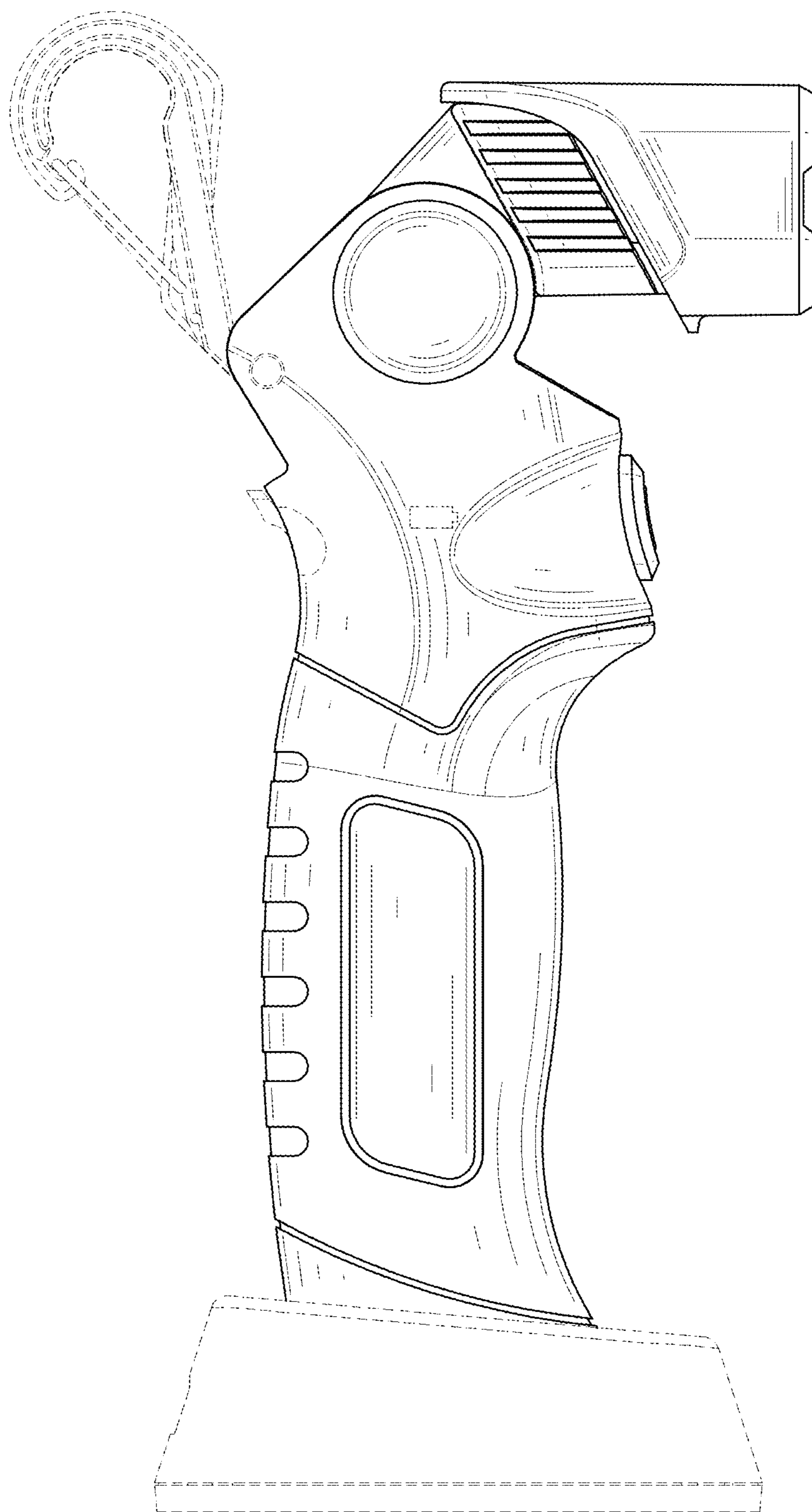


FIG. 4

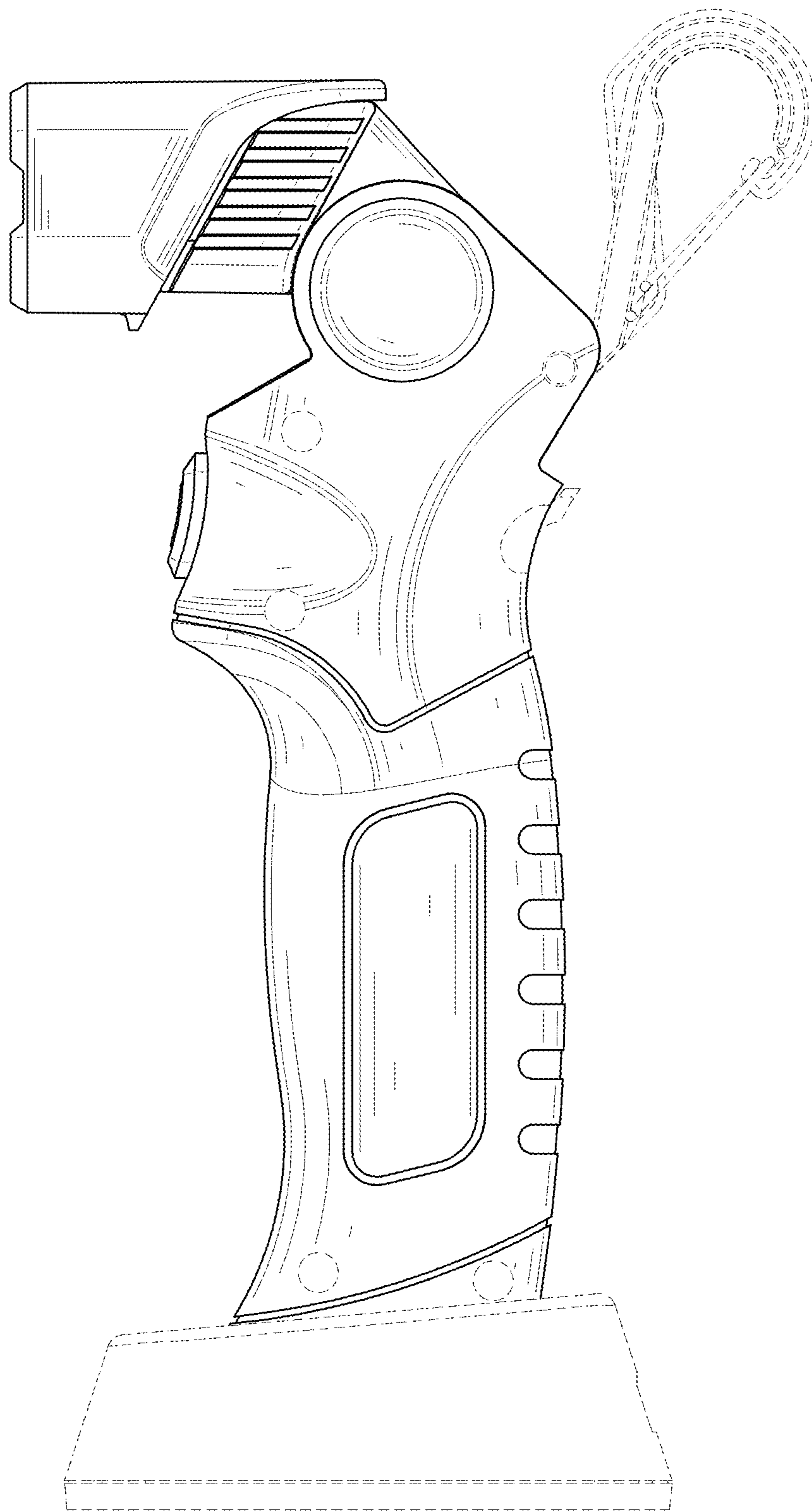


FIG. 5

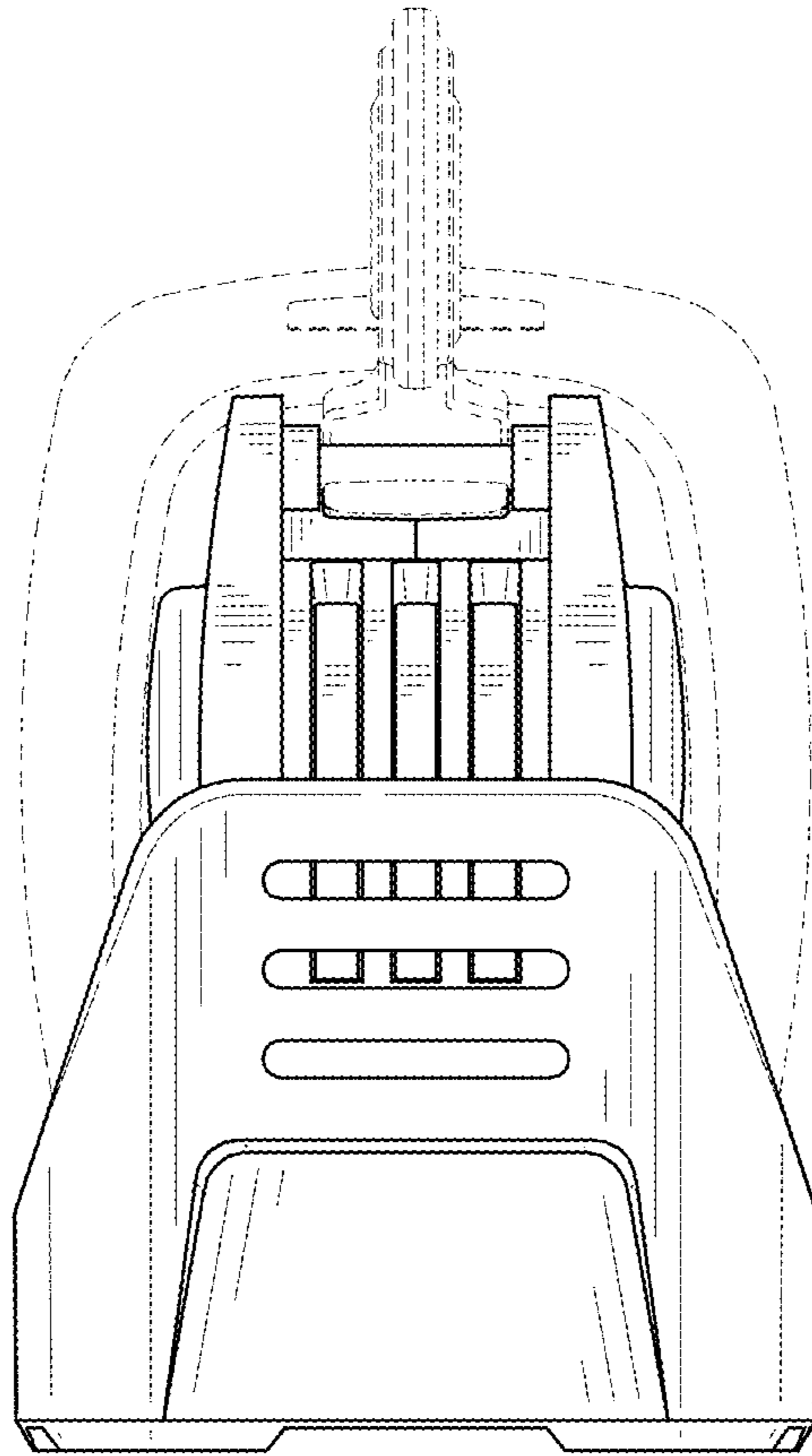


FIG. 6



FIG. 7

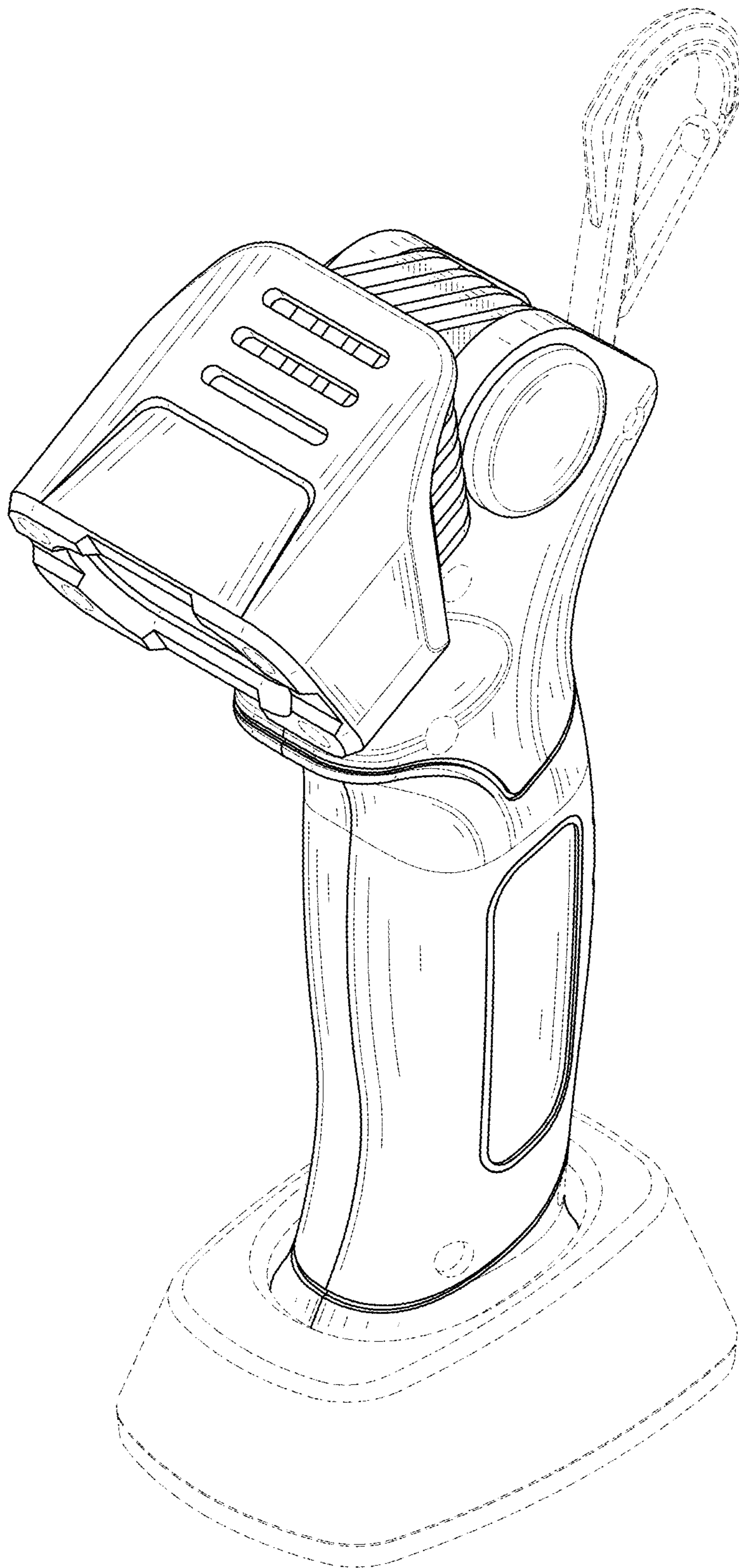


FIG. 8

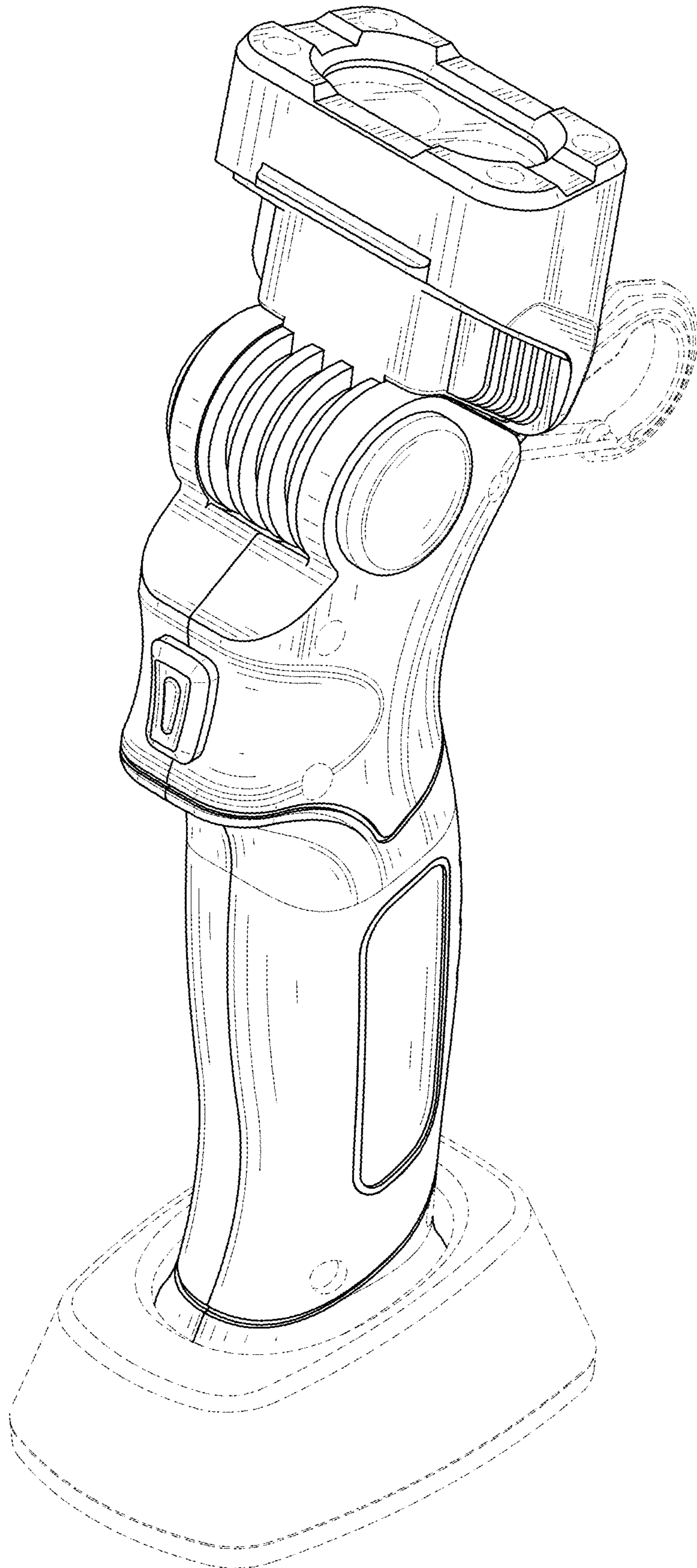


FIG. 9

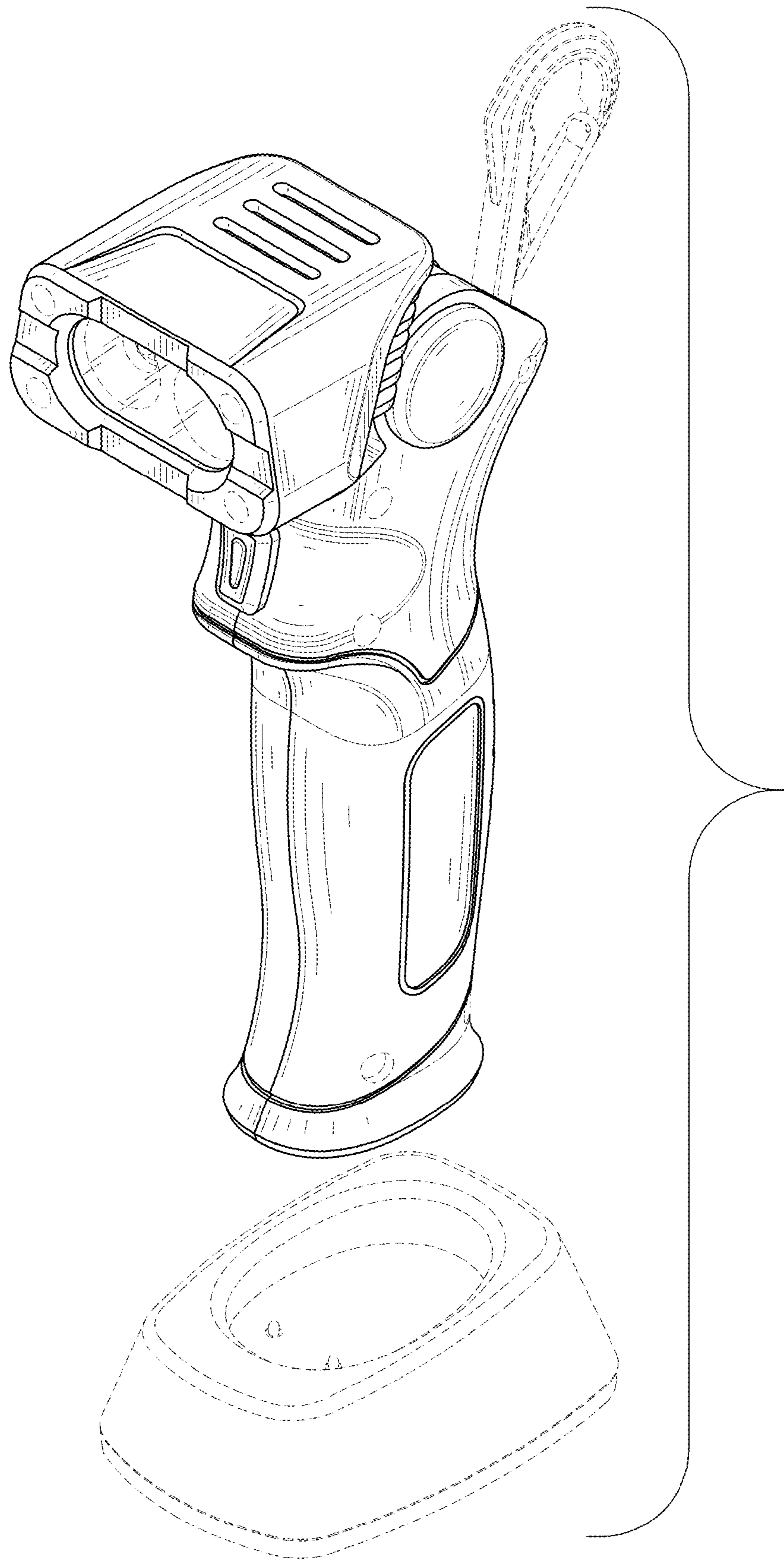


FIG. 10

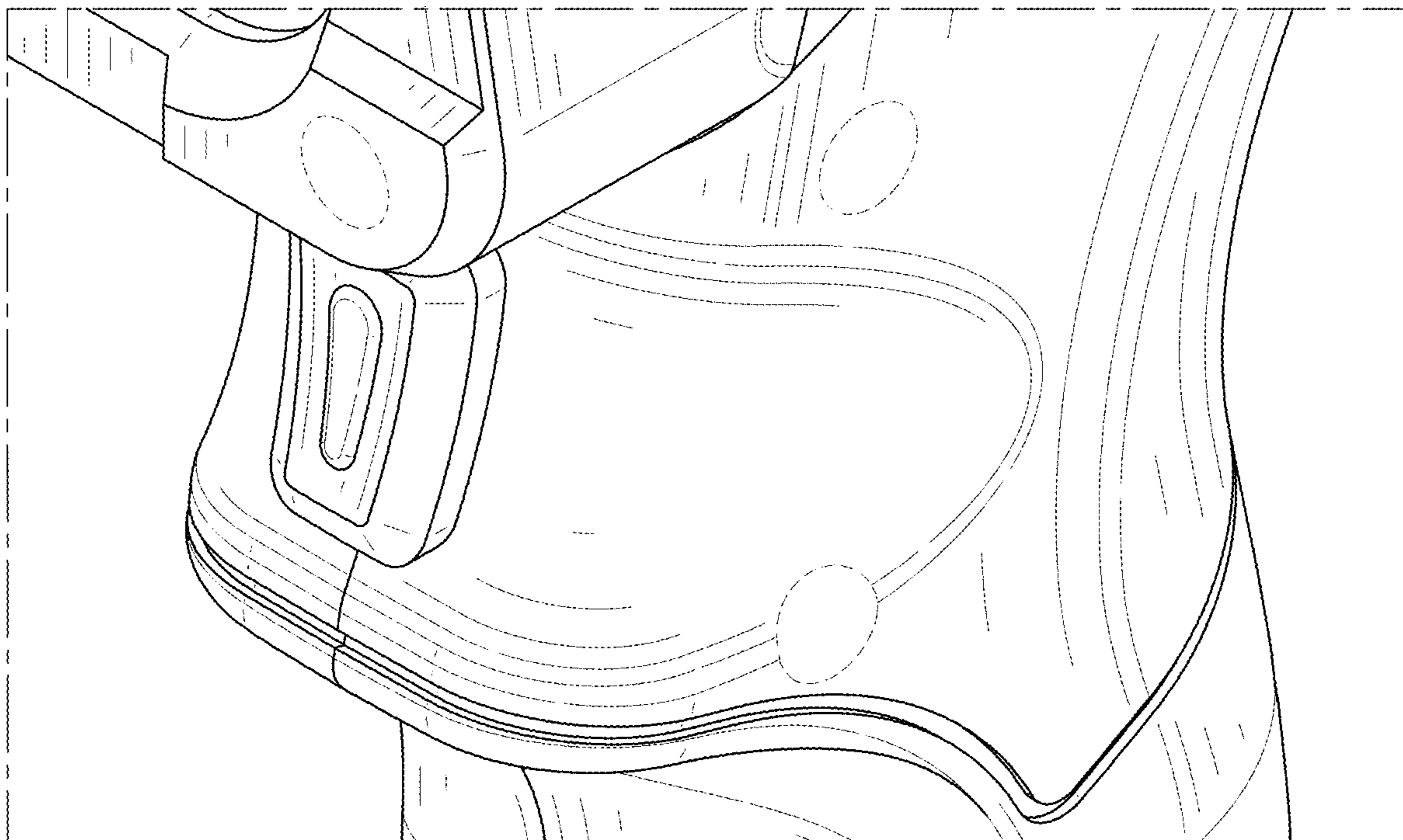


FIG. 11

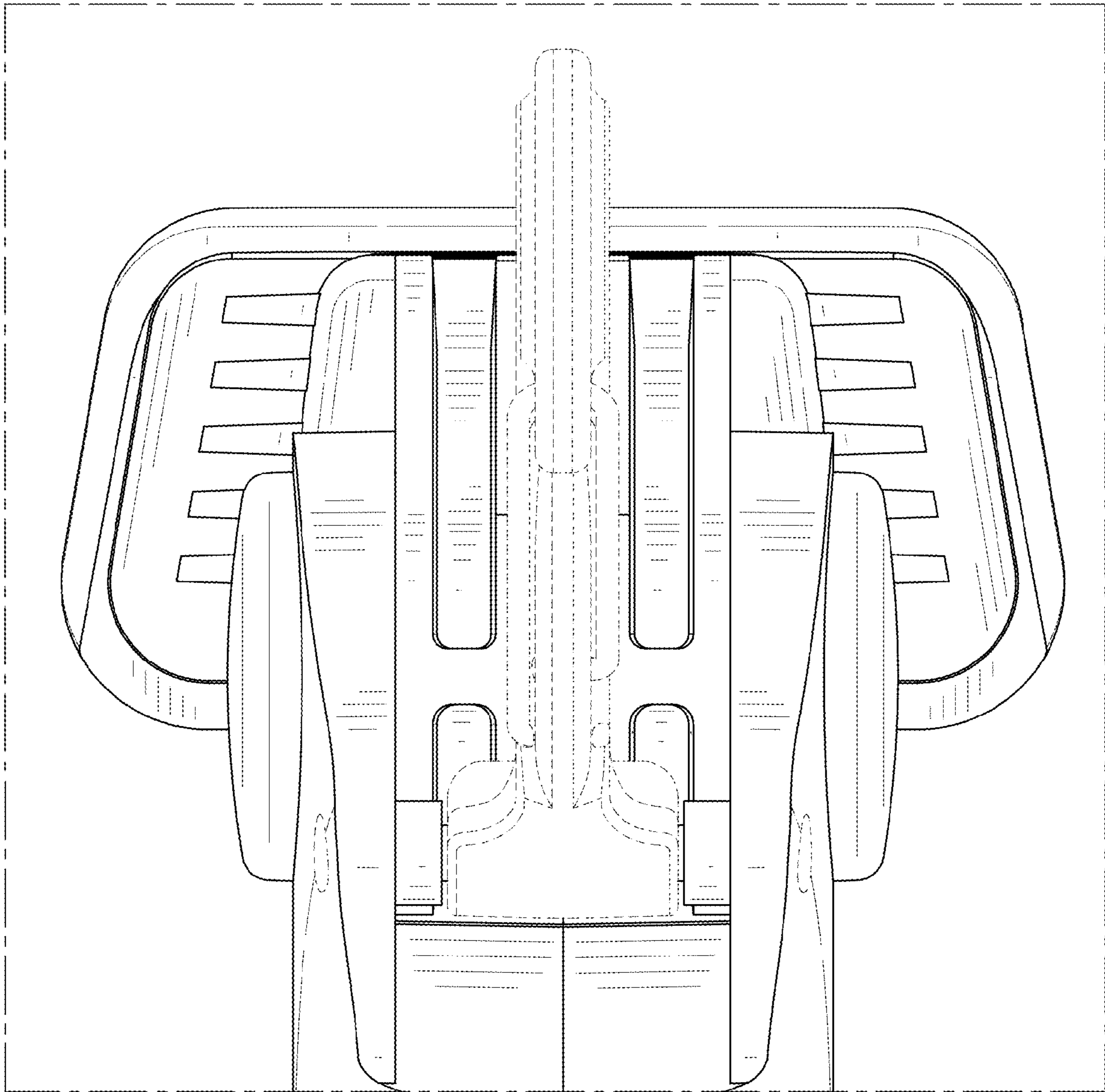


FIG. 12