



US00D928368S

(12) **United States Design Patent** (10) **Patent No.:** **US D928,368 S**
McNabb (45) **Date of Patent:** **** Aug. 17, 2021**

(54) **NIGHT LIGHT JAR**
(71) Applicant: **Elaine McNabb**, Seattle, WA (US)
(72) Inventor: **Elaine McNabb**, Seattle, WA (US)
(**) Term: **15 Years**
(21) Appl. No.: **29/694,587**
(22) Filed: **Jun. 12, 2019**
(51) **LOC (13) Cl.** **26-02**
(52) **U.S. Cl.**
USPC **D26/37**
(58) **Field of Classification Search**
USPC D9/500, 502, 516, 530, 537, 539, 542,
D9/549, 763, 738, 739, 532, 550, 563,
D9/601, 614, 621, 622, 653, 715;
D7/601, 602, 612, 615, 630; D26/37-51,
D26/125, 126
CPC F21L 2003/00; F21L 4/00; F21L 4/005;
F21L 4/02; F21L 4/025; F21L 4/027;
F21L 4/04; F21L 4/08; F21L 2005/00;
F21L 7/00; F21L 11/00; F21L 13/00;
F21L 13/04; F21L 13/08; F21L 14/02;
F21L 17/00; F21L 19/00; F21L 25/00;
A61B 5/00; A61B 5/01; A61B 5/0086;
A47G 33/00; B65D 1/00; B65D 1/10;
B65D 81/3837
See application file for complete search history.

D447,255 S * 8/2001 Klett D26/7
6,886,959 B2 5/2005 Record
7,059,477 B2 6/2006 Wolf, II
D648,465 S 11/2011 San Juan
D669,740 S * 10/2012 Ruotsalainen D7/615
8,662,696 B2 3/2014 Lederer
D760,591 S * 7/2016 Groglopo Favetto D9/500
D769,060 S * 10/2016 Klein D7/368
D802,350 S * 11/2017 Vazin D7/306
D802,423 S * 11/2017 Laib D9/500
D813,044 S * 3/2018 Annetts D9/539
(Continued)

FOREIGN PATENT DOCUMENTS

CN 303135099 * 3/2015
CN 304229559 * 8/2017
EM 002638536-0001 * 3/2015

OTHER PUBLICATIONS

Consol solar jar, [online], [site visited Nov. 12, 2019]. available from internet, <url:https://www.youtube.com/watch?v=1TxO_CgbXvY>, two pages (Year: 2015).*
(Continued)

Primary Examiner — Leanne Was-Englehart
(74) *Attorney, Agent, or Firm* — Wells St, John P.S.

(57) **CLAIM**

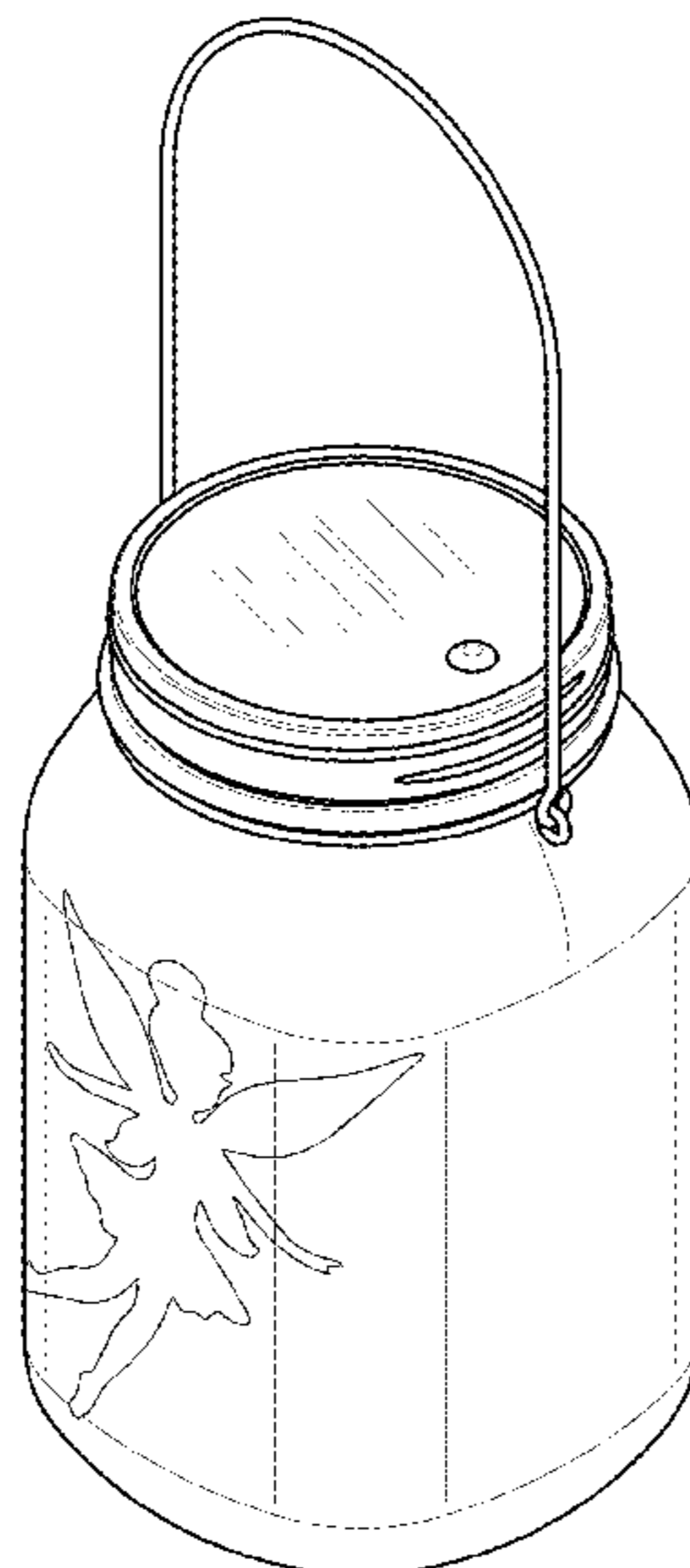
The ornamental design for a night light jar, as shown and described.

DESCRIPTION

FIG. 1 is a perspective view of the night light jar.
FIG. 2 is a front elevational view of the night light jar.
FIG. 3 is a rear elevational view thereof.
FIG. 4 is a right side elevational view thereof.
FIG. 5 is a left side elevational view thereof.
FIG. 6 is a top plan view thereof; and,
FIG. 7 is a bottom plan view thereof.

1 Claim, 4 Drawing Sheets

(56) **References Cited**
U.S. PATENT DOCUMENTS
D37,268 S 12/1904 Paul
D90,321 S 7/1933 Kingsbury
D132,914 S 6/1942 Marquis
D257,762 S 1/1981 Yeung
D267,076 S * 11/1982 Hurtig D9/520
5,178,450 A 1/1993 Zelensky
D332,919 S * 2/1993 Turnbull D9/500
D422,725 S * 4/2000 Leonard D26/37



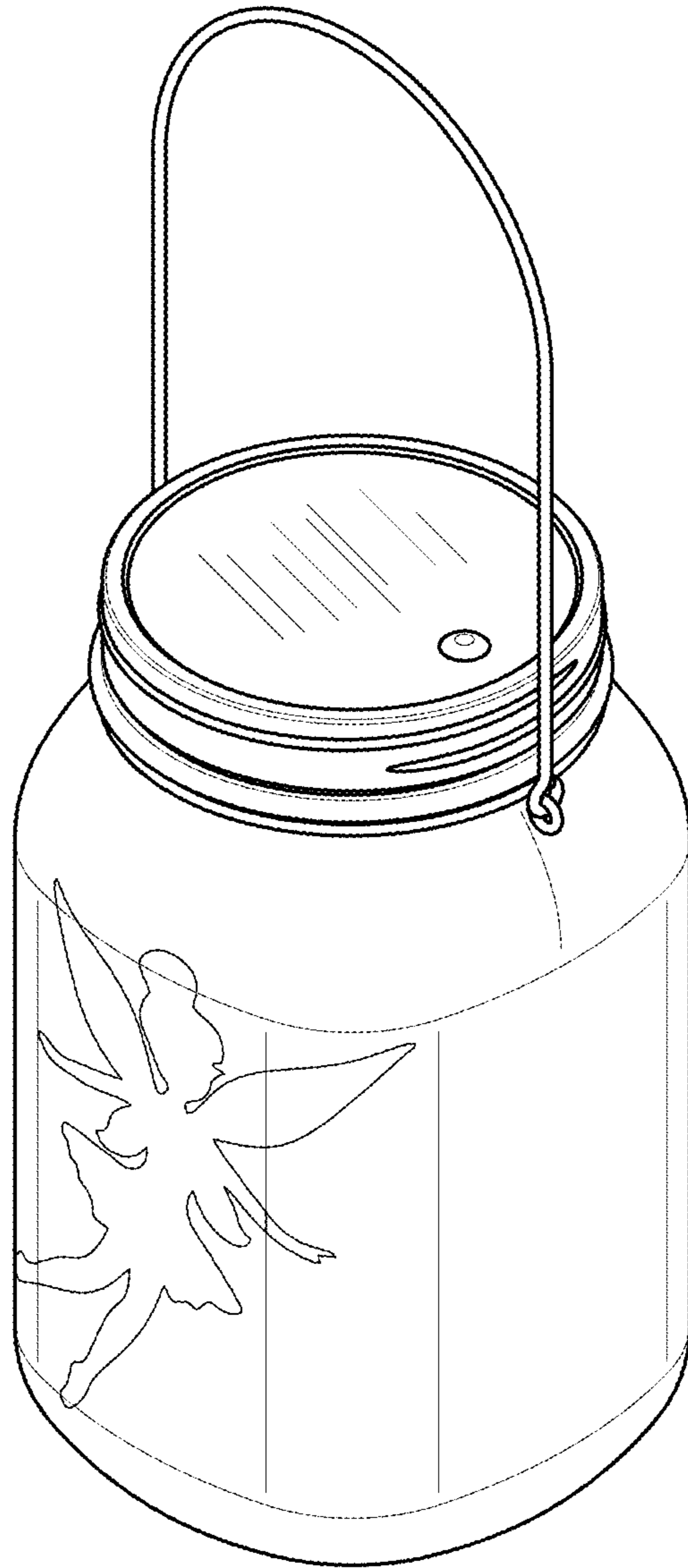


FIG. 1

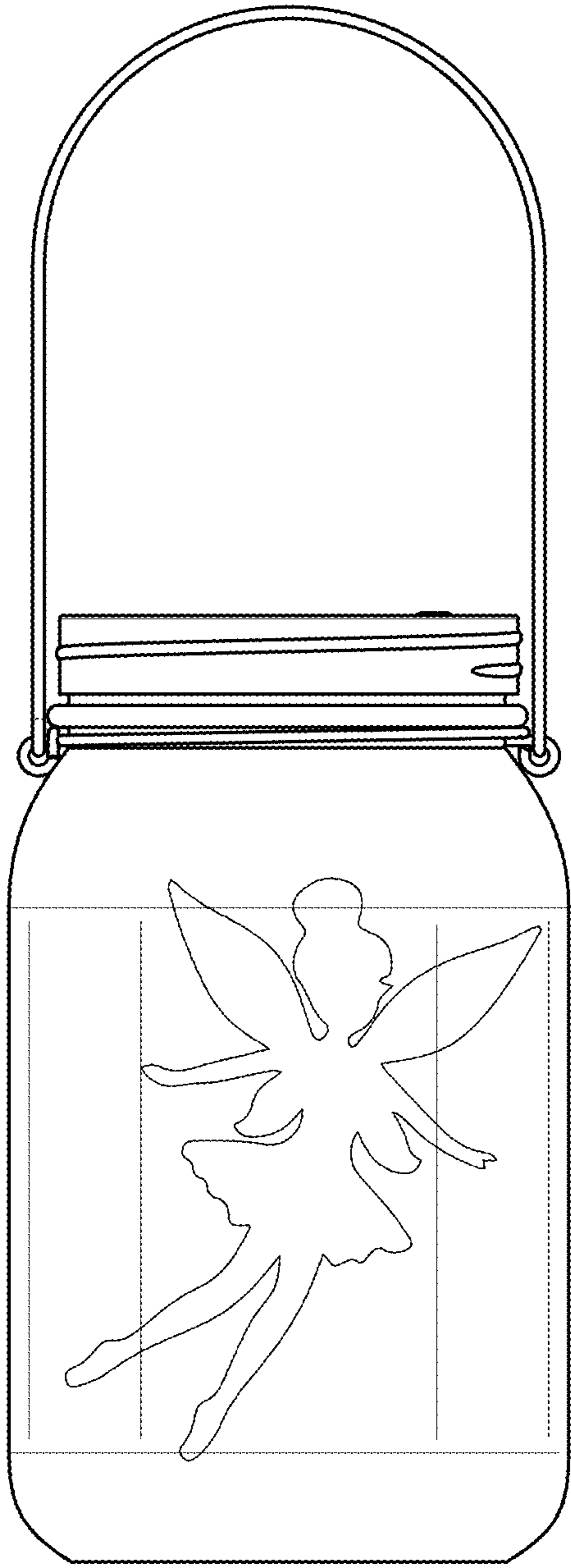


FIG. 2

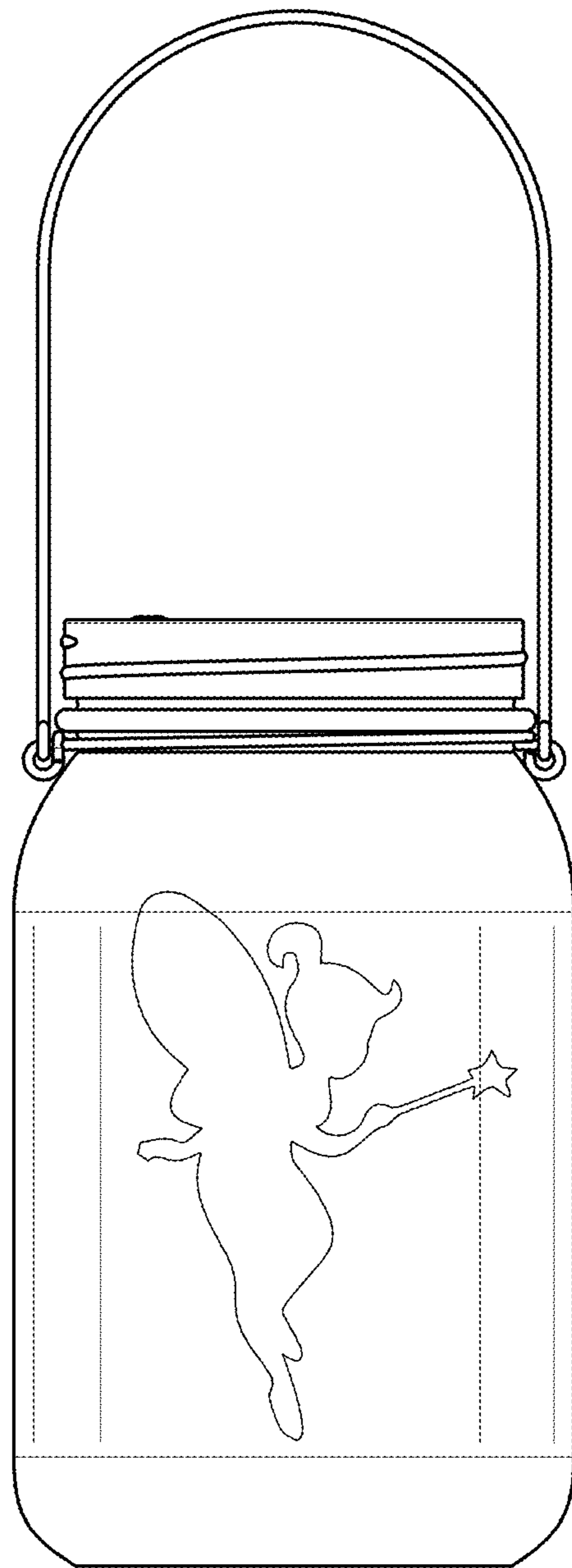


FIG. 3

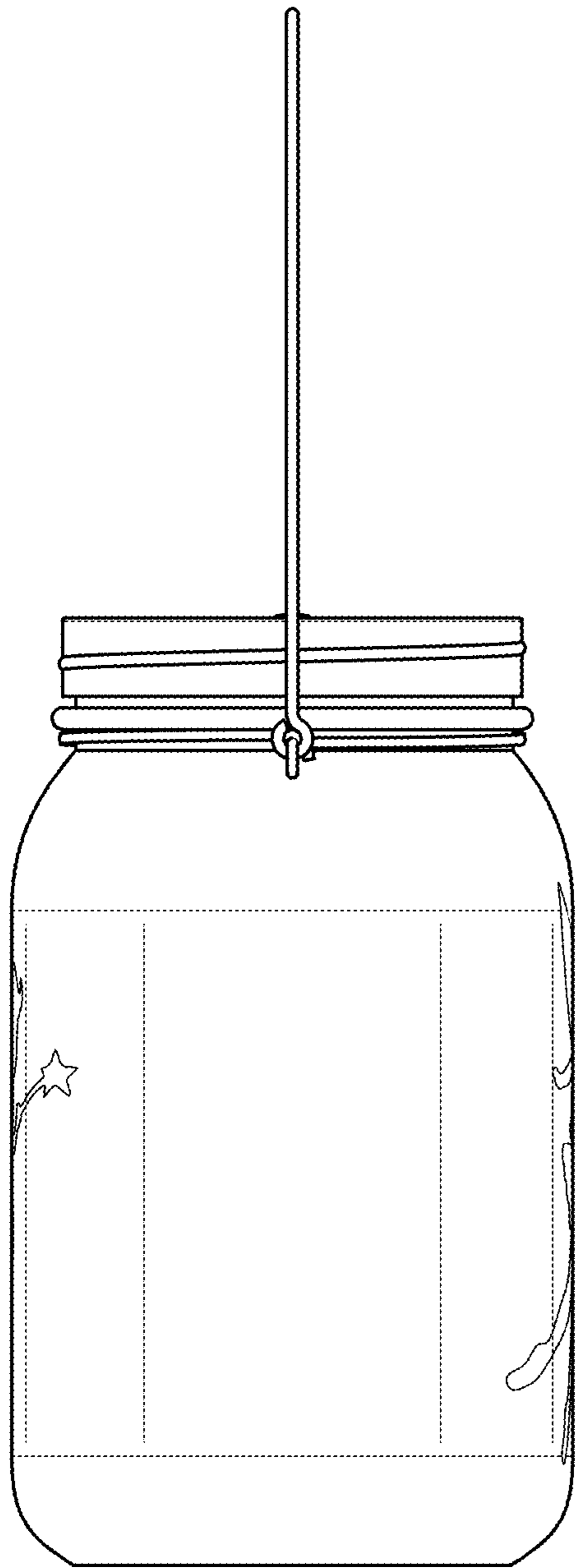


FIG. 4

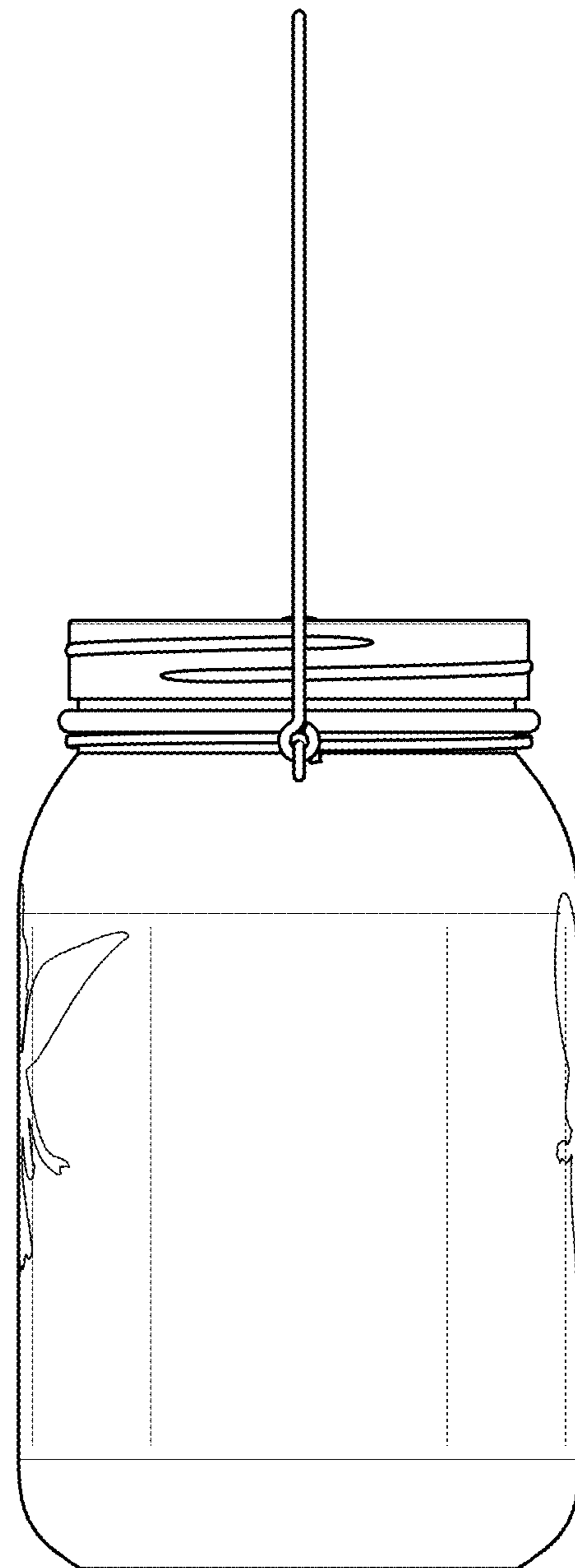


FIG. 5

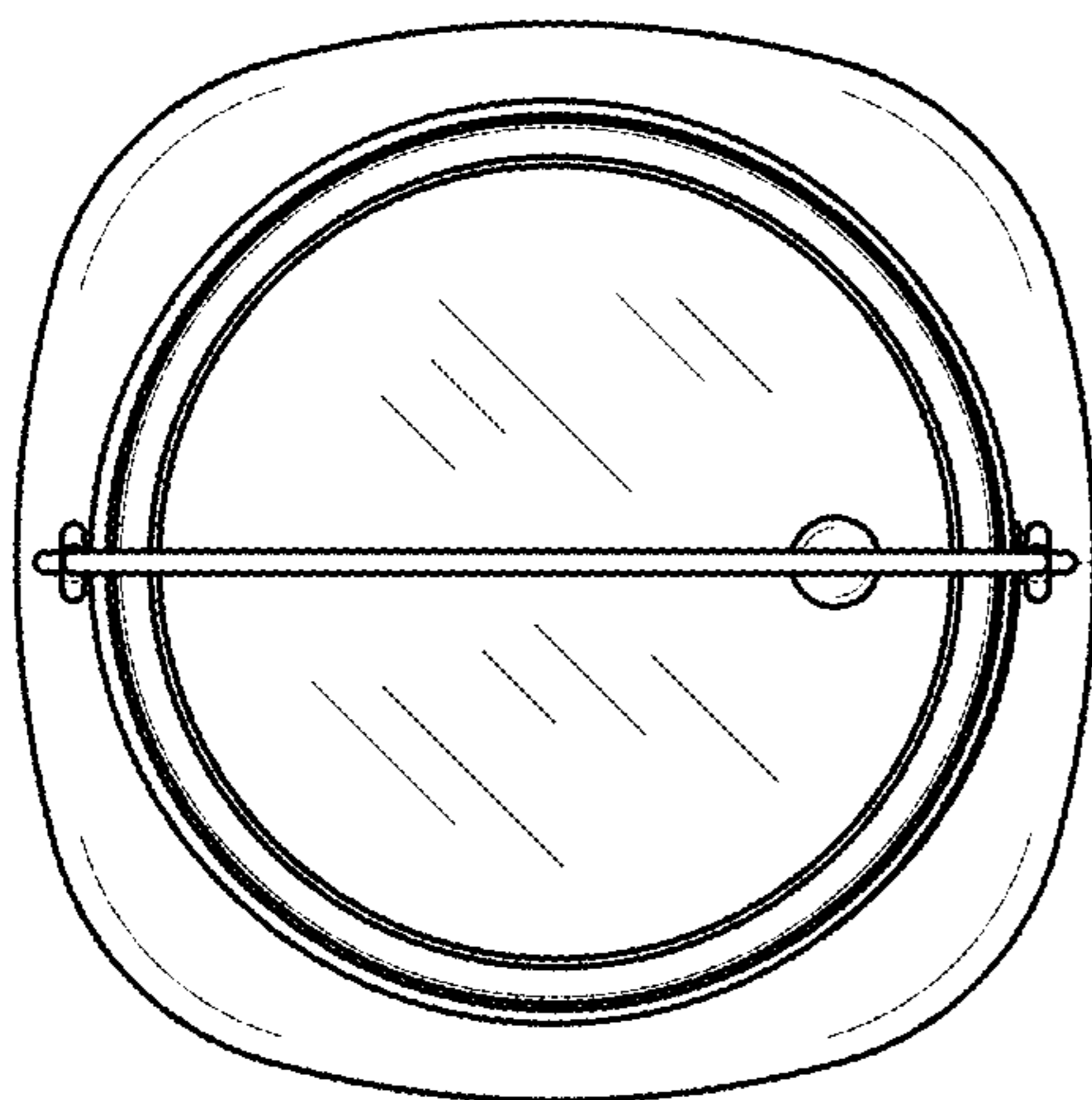


FIG. 6

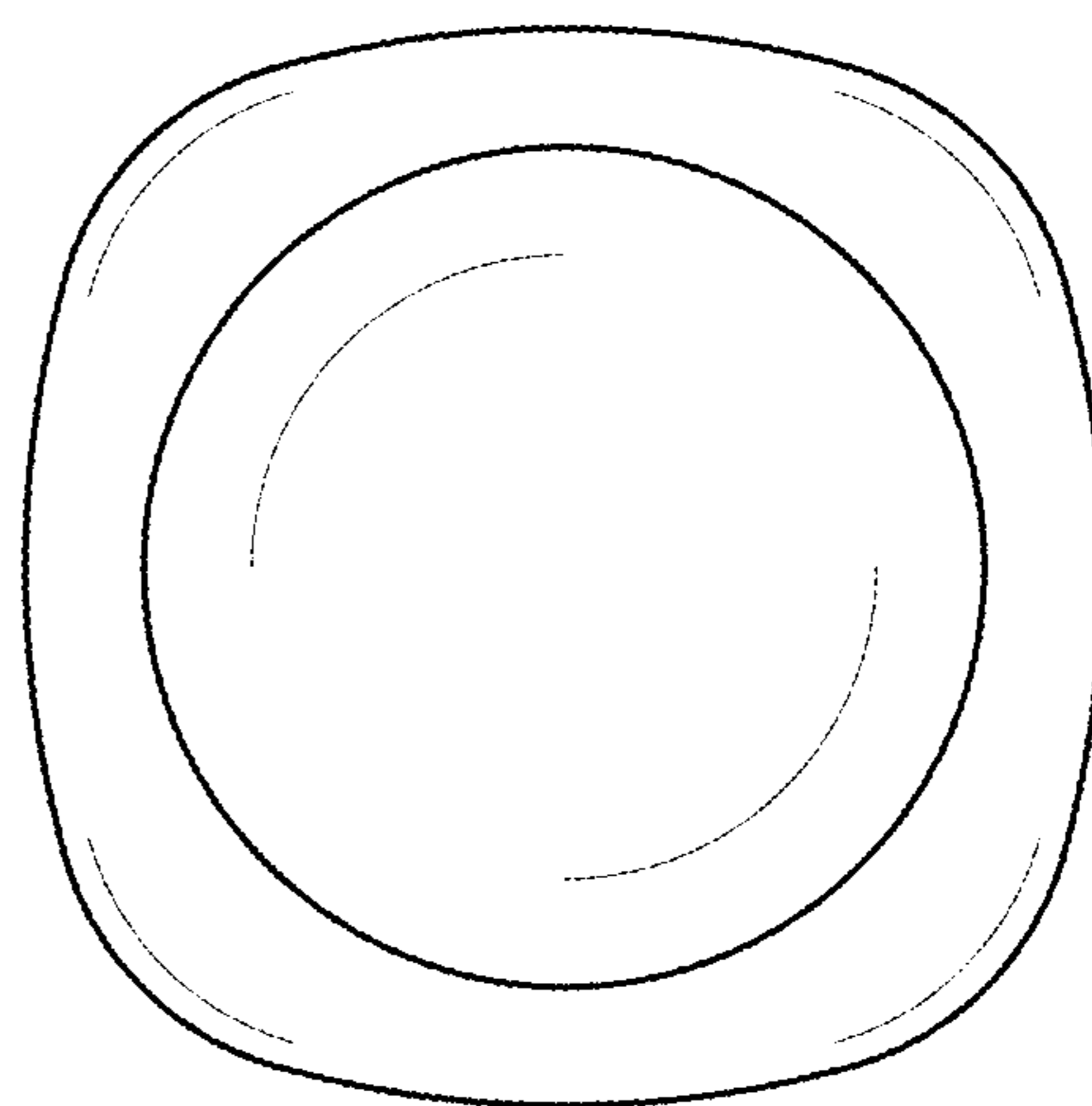


FIG. 7