



US00D928366S

(12) **United States Design Patent** (10) **Patent No.:** **US D928,366 S**  
**Thomas** (45) **Date of Patent:** **\*\* Aug. 17, 2021**

(54) **HEAD LAMP**

(71) Applicant: **JAGUAR LAND ROVER LIMITED**,  
Coventry (GB)

(72) Inventor: **Gareth Thomas**, Coventry (GB)

(73) Assignee: **JAGUAR LAND ROVER LIMITED**,  
Coventry (GB)

(\*\*) Term: **15 Years**

(21) Appl. No.: **29/771,811**

(22) Filed: **Feb. 25, 2021**

**Related U.S. Application Data**

(62) Division of application No. 29/682,572, filed on Mar. 6, 2019, now Pat. No. Des. 913,544, and a division of application No. 29/603,343, filed on May 9, 2017, now Pat. No. Des. 846,766.

(30) **Foreign Application Priority Data**

Nov. 11, 2016 (EM) ..... 003459510-0001  
Nov. 11, 2016 (EM) ..... 003459510-0002

(51) **LOC (13) Cl.** ..... **26-06**

(52) **U.S. Cl.**  
USPC ..... **D26/28**

(58) **Field of Classification Search**  
USPC ..... D26/28-36, 139  
CPC ..... F21S 48/00; F21S 48/10; F21S 48/115;  
F21S 48/225; F21S 48/1233; F21S  
48/1266; F21S 48/1388; F21S 48/2268;  
F21V 5/00; F21V 21/04; F21V 29/004;  
B60Q 9/13; B60Q 9/135; B60Q 9/1375

See application file for complete search history.

(56) **References Cited**

U.S. PATENT DOCUMENTS

D710,044 S \* 7/2014 Lai ..... D26/28  
D721,196 S \* 1/2015 Lai ..... D26/28  
D757,970 S \* 5/2016 Binder ..... D26/28  
D762,314 S \* 7/2016 Luk ..... D26/28

\* cited by examiner

*Primary Examiner* — Marcus A Jackson

(74) *Attorney, Agent, or Firm* — Reising Ethington P.C.

(57) **CLAIM**

The ornamental design for a head lamp, as shown and described.

**DESCRIPTION**

FIG. 1 is a front left perspective view of a head lamp for a vehicle;

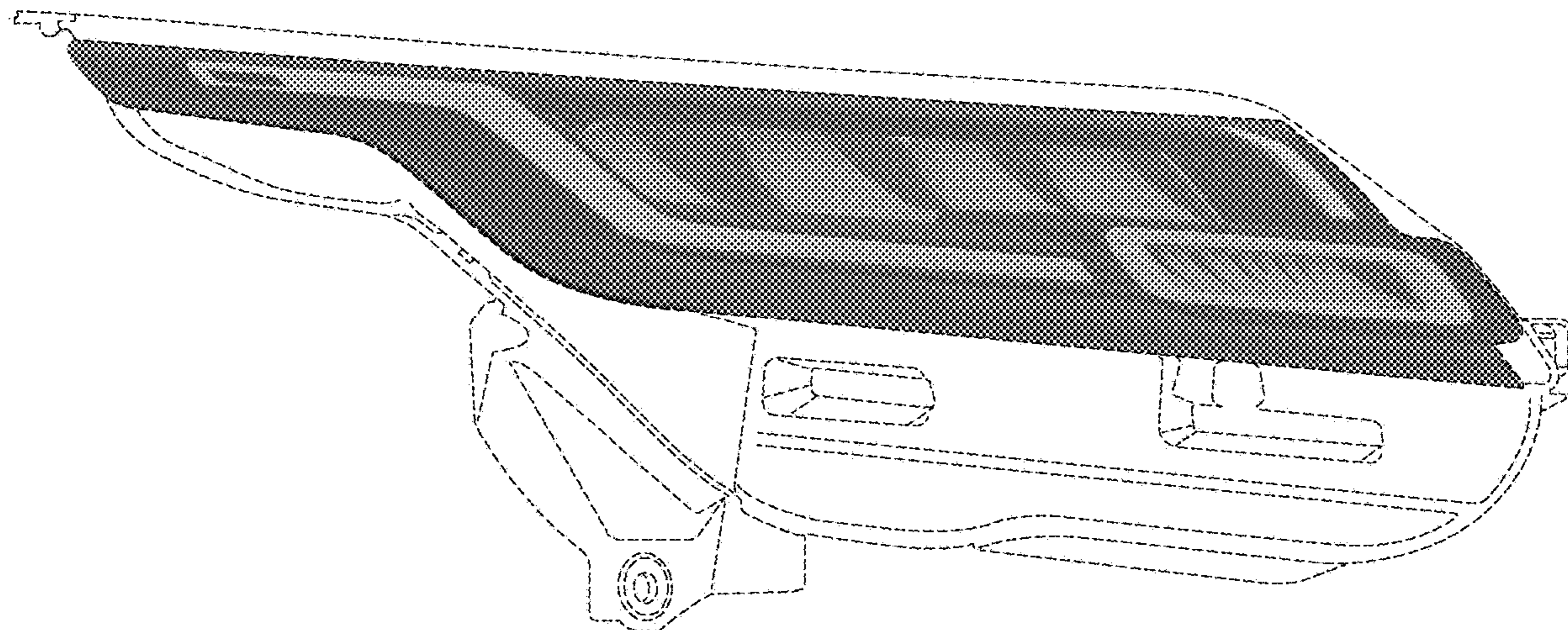
FIG. 2 is a front view thereof;

FIG. 3 is a top view thereof; and,

FIG. 4 is a front left perspective view thereof, mounted on a vehicle, with the rest of the vehicle shown in de-emphasized and half-tone portions so as to illustrate environmental structure. These portions form no part of the claimed design. More particularly, in FIG. 4, the head lamp is shown within the broken line, and the elements shown outside the broken line form no part of the claimed design, but are instead included to show environmental aspects thereof.

The broken lines shown in the drawings depict portions of the head lamp that form no part of the claimed design.

**1 Claim, 4 Drawing Sheets**



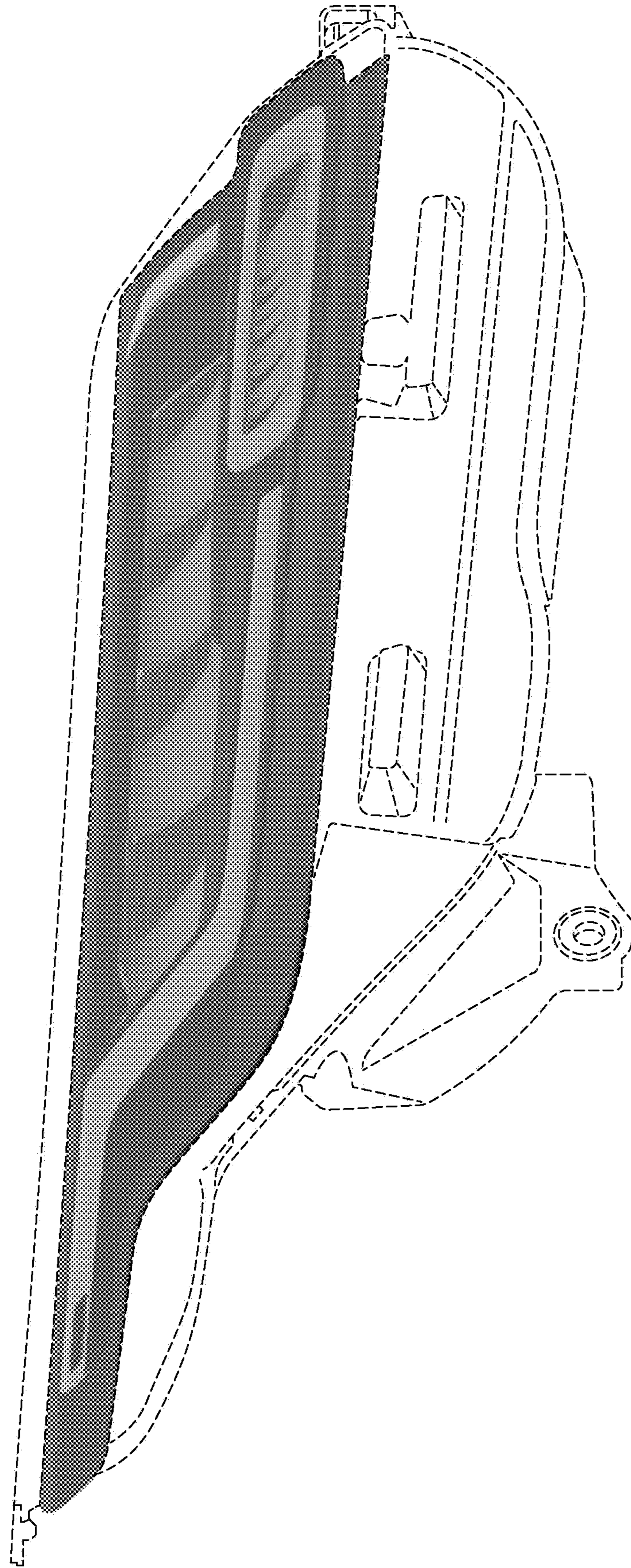


FIG. 1

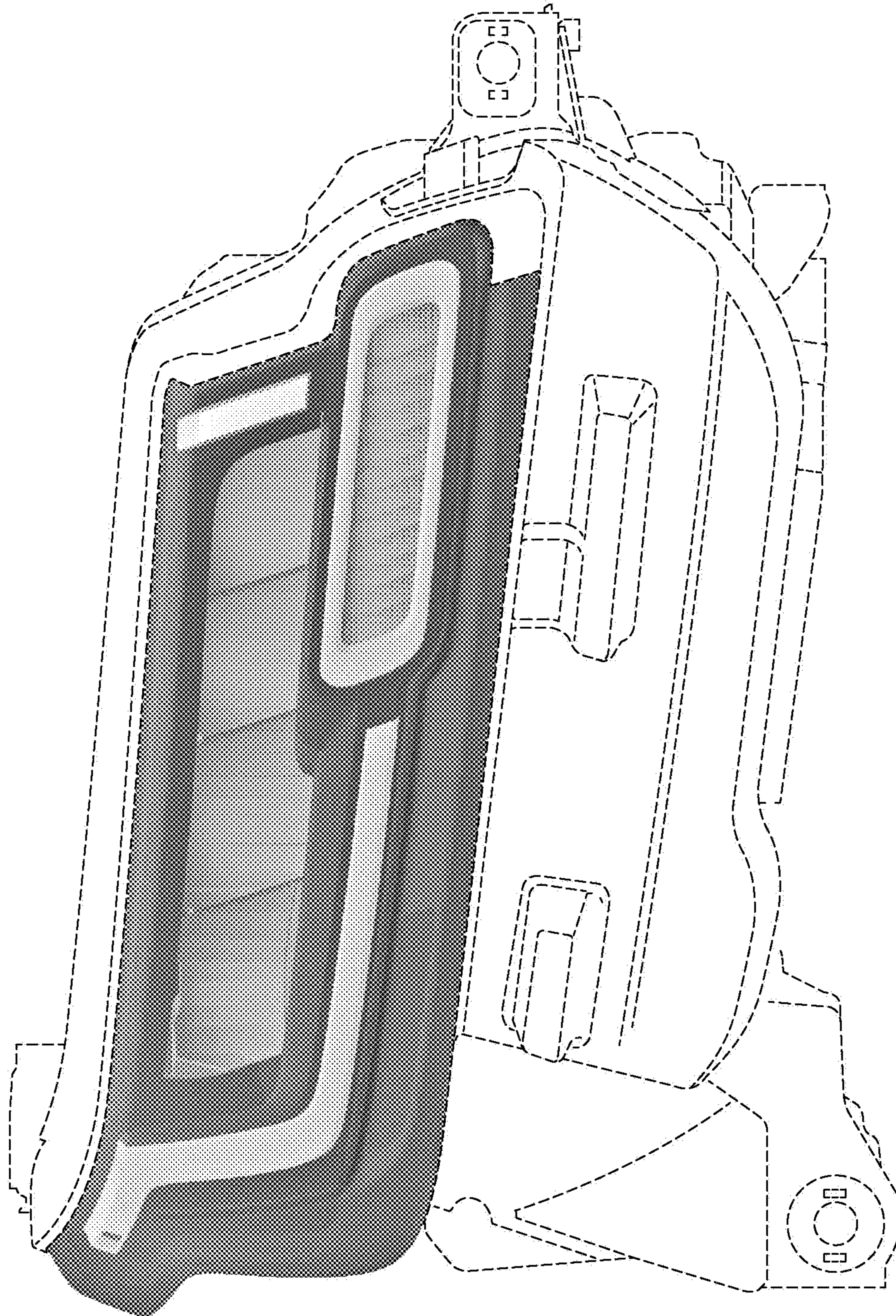


FIG. 2

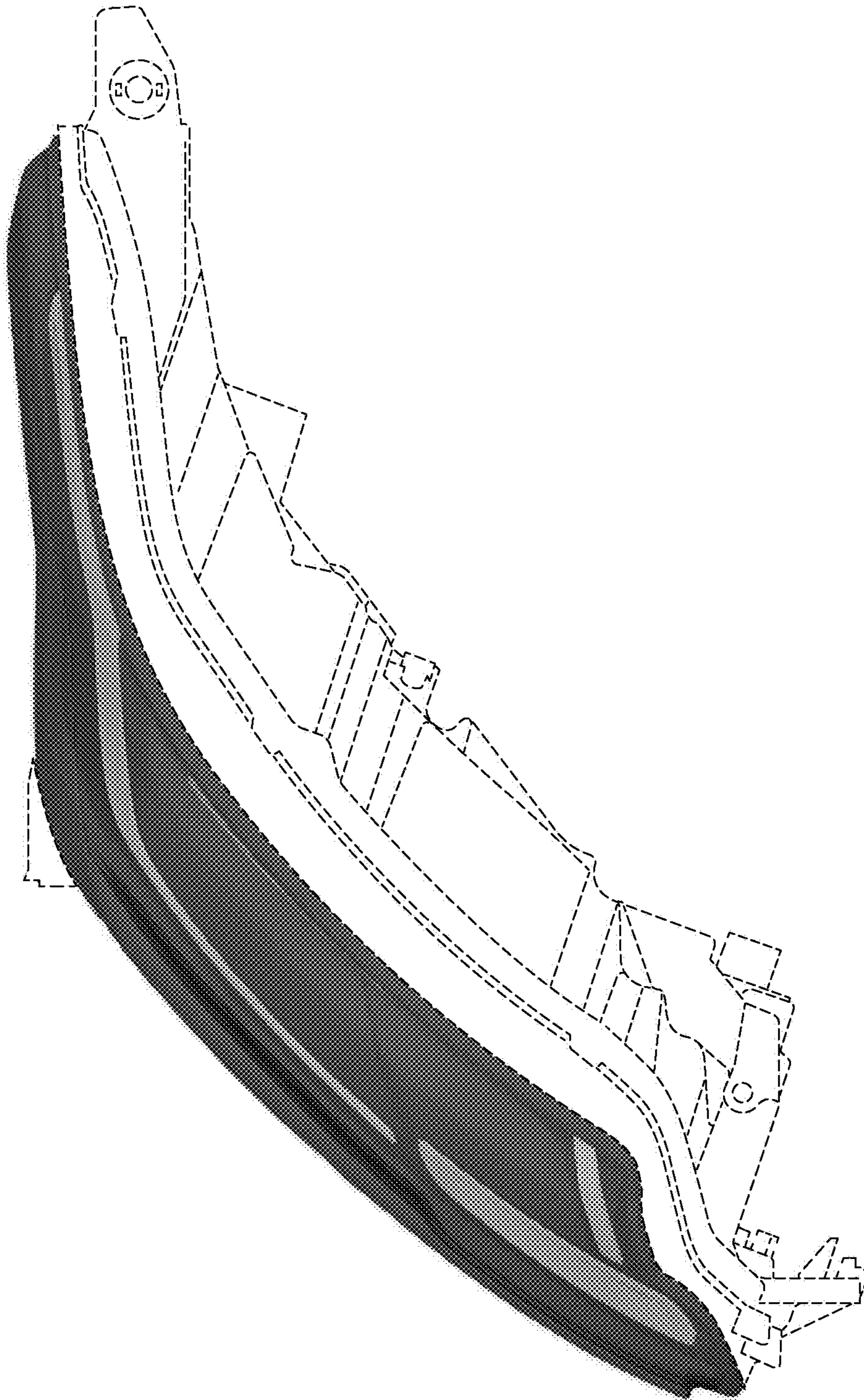


FIG. 3

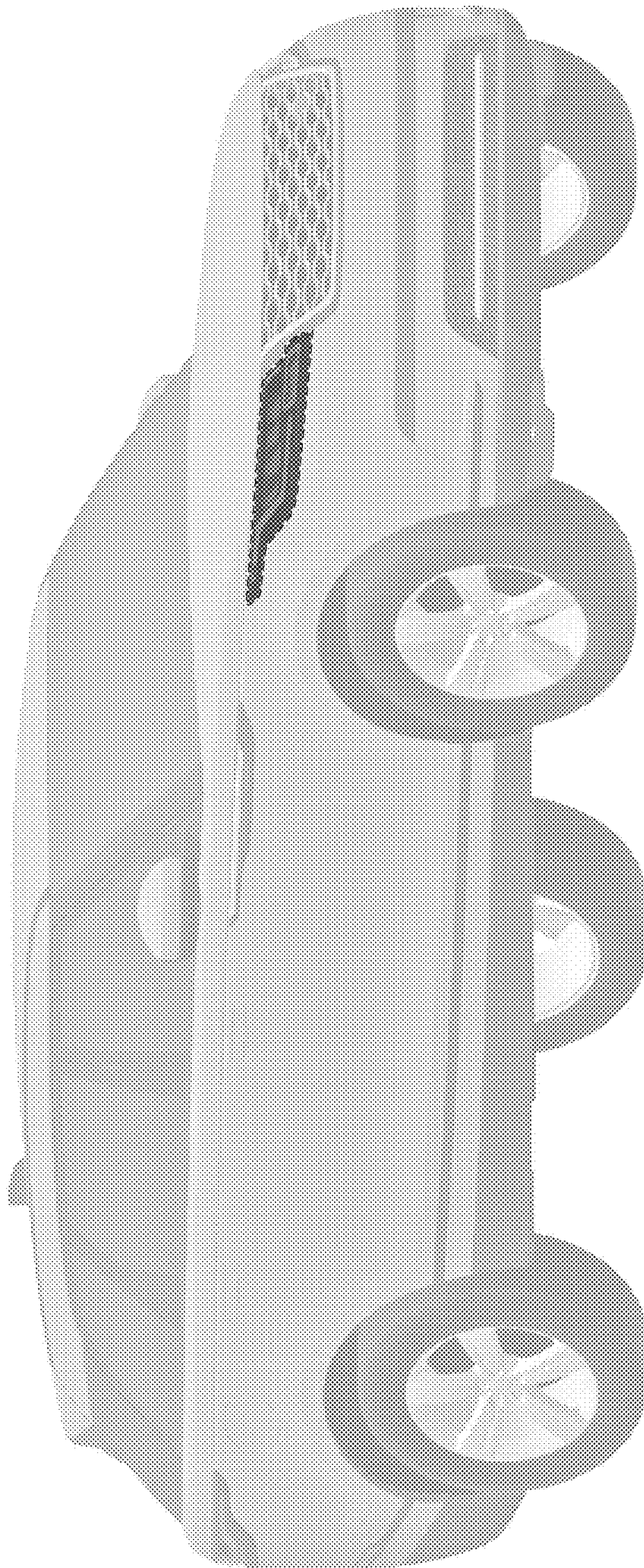


FIG. 4