



US00D928363S

(12) **United States Design Patent** (10) **Patent No.:** **US D928,363 S**  
**Lin** (45) **Date of Patent:** **\*\* Aug. 17, 2021**

(54) **AUTOMOBILE HEADLIGHT**  
(71) Applicant: **Chi-Chung Lin**, Hsinchu (TW)  
(72) Inventor: **Chi-Chung Lin**, Hsinchu (TW)  
(\*\*) Term: **15 Years**  
(21) Appl. No.: **29/755,121**  
(22) Filed: **Oct. 16, 2020**  
(51) **LOC (13) Cl.** ..... **26-06**  
(52) **U.S. Cl.**  
USPC ..... **D26/28**  
(58) **Field of Classification Search**  
USPC ..... D26/28, 29, 30, 31, 32, 33, 34, 35, 36,  
D26/44  
CPC ..... F21S 48/00; F21S 48/10; F21S 48/115;  
F21S 48/225; F21S 48/1233; F21S  
48/1266; F21S 48/1388; F21S 48/2268;  
F21V 21/04; F21W 2103/35; F21W 3/40;  
F21W 2102/17; F21W 2102/30; F21W  
2103/00; F21W 2103/55; F21W 2104/00;  
F21W 2107/17; F21W 2107/13  
See application file for complete search history.

D792,994 S 7/2017 Hwang et al.  
D803,434 S 11/2017 Cotner et al.  
D804,065 S \* 11/2017 Lai ..... D26/28  
D820,510 S 6/2018 Conway et al.  
D821,026 S 6/2018 Conway et al.  
D824,054 S 7/2018 Lin  
D831,246 S \* 10/2018 Yang ..... D26/28  
D841,877 S 2/2019 Conway et al.  
D848,039 S 5/2019 Conway et al.  
D851,301 S 6/2019 Lin  
D855,872 S 8/2019 Lan  
D861,236 S 9/2019 Lai  
D863,618 S 10/2019 Lucas et al.  
D863,622 S 10/2019 Wu  
D868,315 S 11/2019 Lin  
D869,032 S 12/2019 Conway et al.  
D869,711 S 12/2019 Christman et al.  
D883,539 S \* 5/2020 Yu ..... D26/28  
D889,001 S \* 6/2020 He ..... D26/28  
D889,002 S \* 6/2020 He ..... D26/28  
D889,003 S \* 6/2020 He ..... D26/28

(Continued)

Primary Examiner — Angela J Lee  
(74) Attorney, Agent, or Firm — Alexander Chen, Esq.

(57) **CLAIM**

The ornamental design for an automobile headlight, as shown and described.

(56) **References Cited**

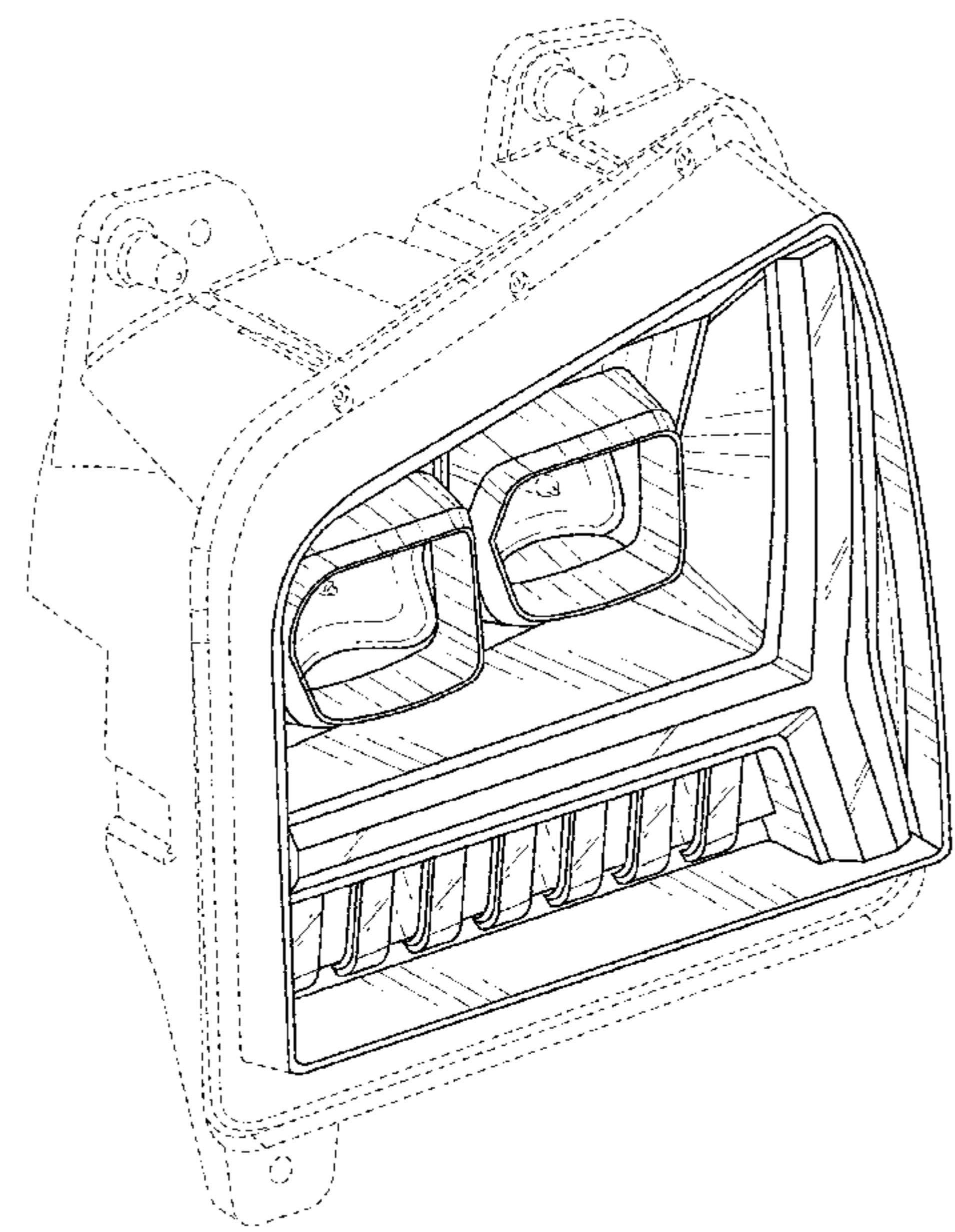
U.S. PATENT DOCUMENTS

D426,905 S 6/2000 Cook et al.  
D535,043 S 1/2007 Otsubo et al.  
D573,282 S 7/2008 Hsu  
D602,619 S 10/2009 Krugger et al.  
D641,503 S 7/2011 Krugger et al.  
D717,478 S 11/2014 Perini  
D728,850 S 5/2015 Beaven  
D747,518 S 1/2016 Lai  
D754,912 S 4/2016 Patel  
D759,275 S 6/2016 Hwang  
D766,498 S 9/2016 Hatton  
D774,671 S 12/2016 Lai  
D787,718 S 5/2017 Lai

**DESCRIPTION**

FIG. 1 is a perspective view of an automobile headlight;  
FIG. 2 is a front view thereof;  
FIG. 3 is a side view thereof;  
FIG. 4 is a top view thereof; and,  
FIG. 5 is a bottom view thereof.  
Any broken lines are included to show environmental structure and form no part of the claimed design.  
The drawings and descriptions disclose the right side embodiment. The claim is also for a mirror image left side embodiment.

**1 Claim, 5 Drawing Sheets**



(56)

**References Cited**

U.S. PATENT DOCUMENTS

D889,704 S *	7/2020	He	.....	D26/28
D889,705 S *	7/2020	He	.....	D26/28
D893,063 S *	8/2020	He	.....	D26/28
D893,769 S *	8/2020	He	.....	D26/28
D893,771 S *	8/2020	Lin	.....	D26/28
D895,860 S *	9/2020	Lin	.....	D26/28
D896,409 S *	9/2020	He	.....	D26/28
D896,416 S	9/2020	Lin		
D897,013 S	9/2020	Cheng et al.		

\* cited by examiner

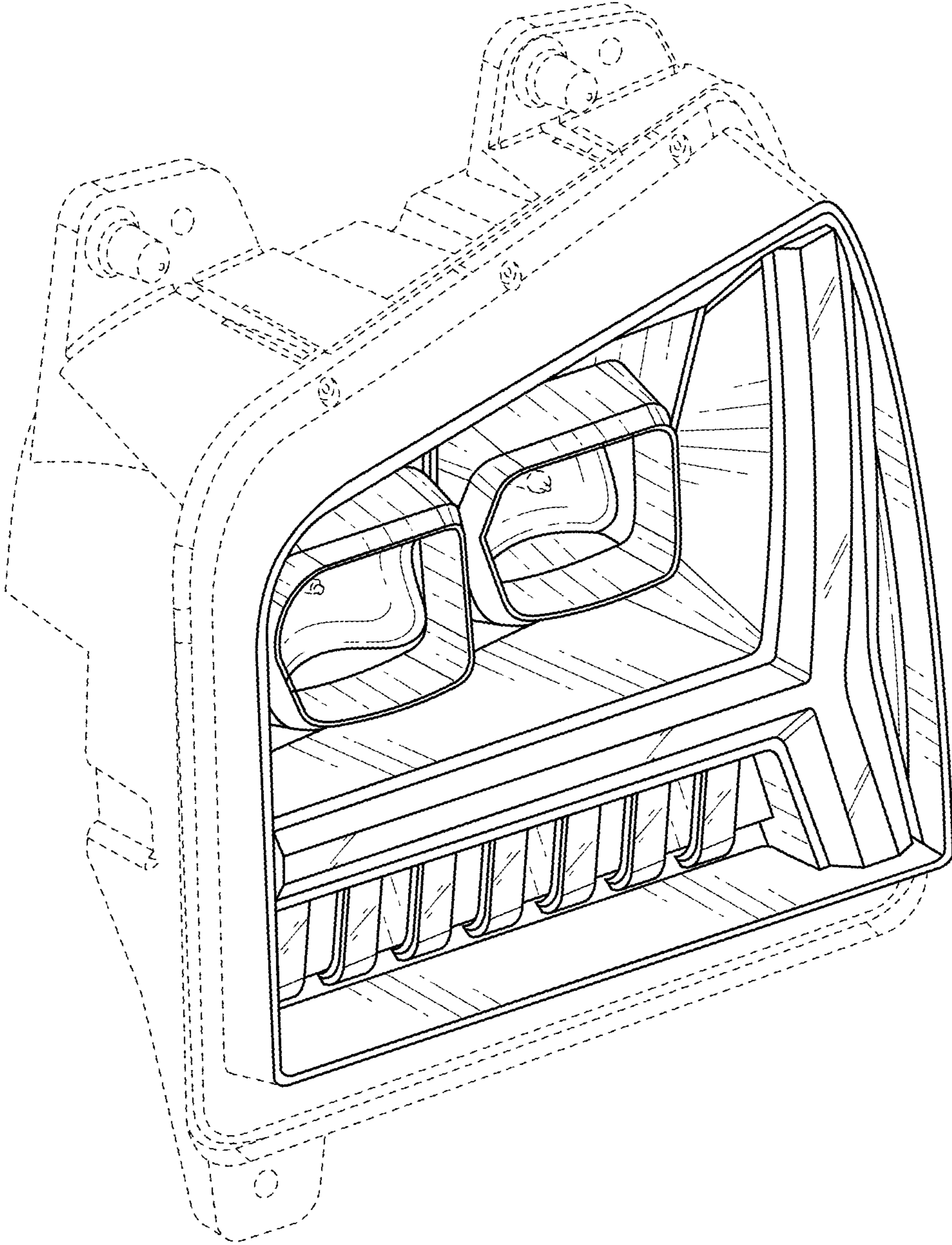


FIG. 1



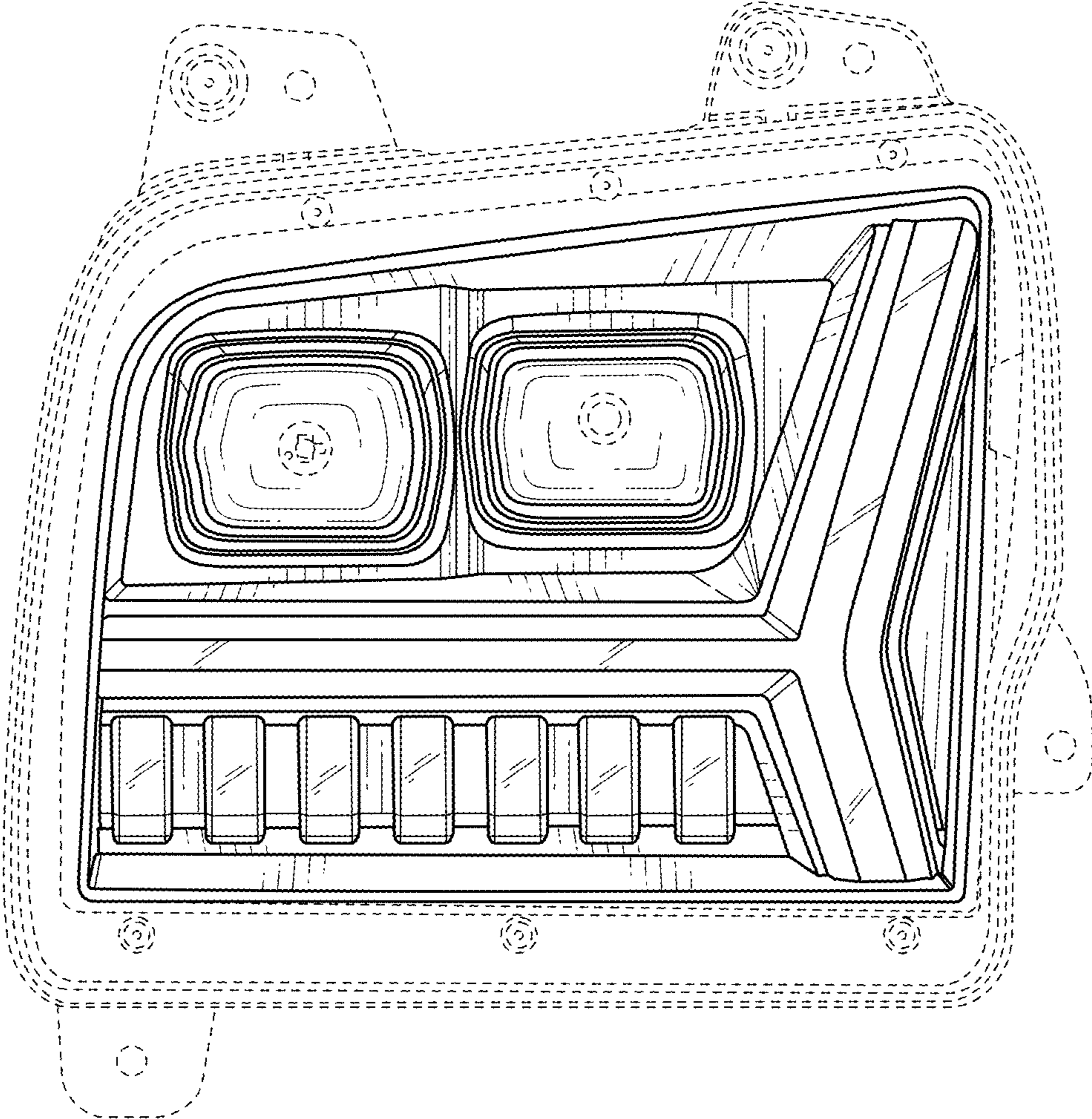


FIG. 2

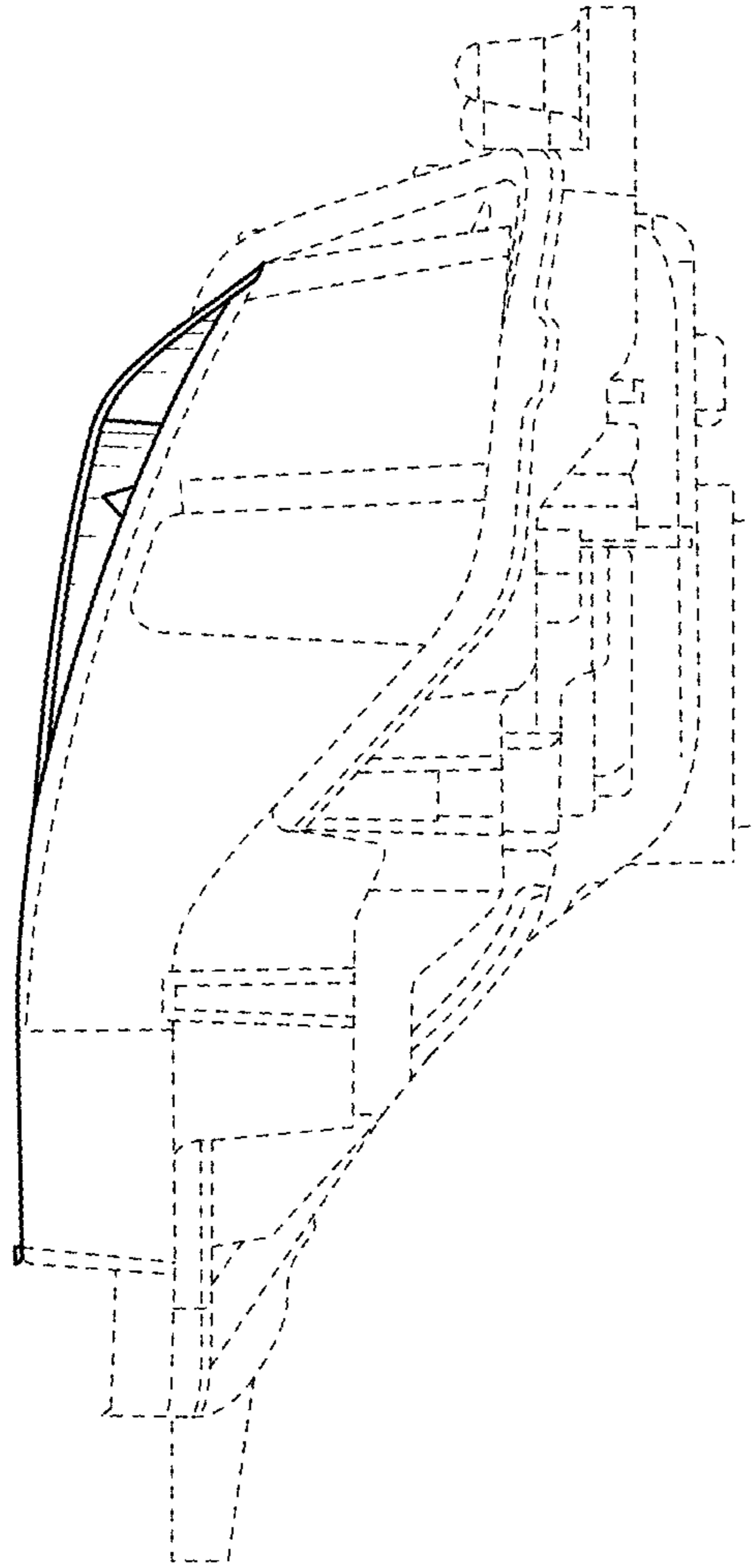


FIG. 3

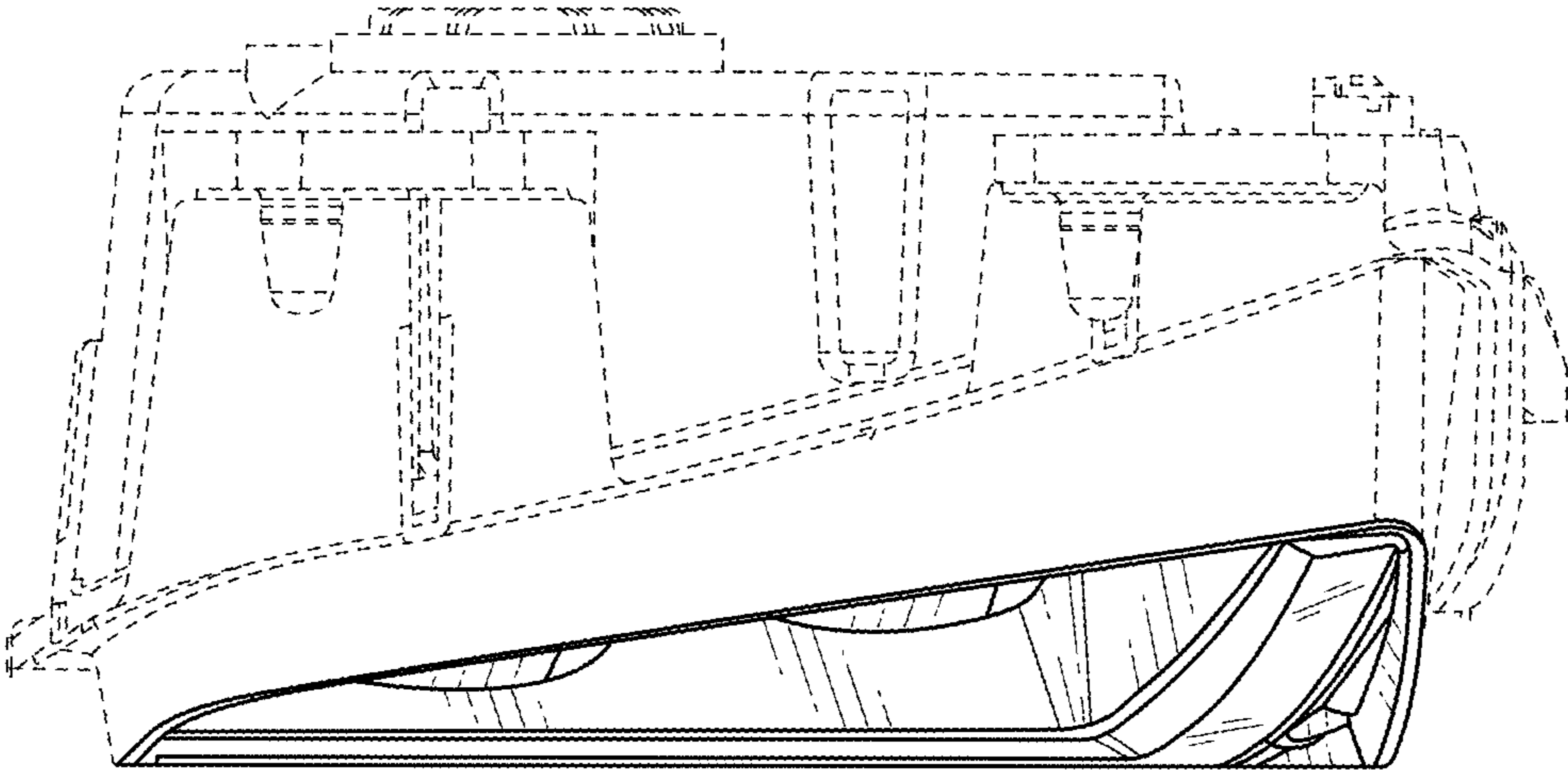


FIG. 4

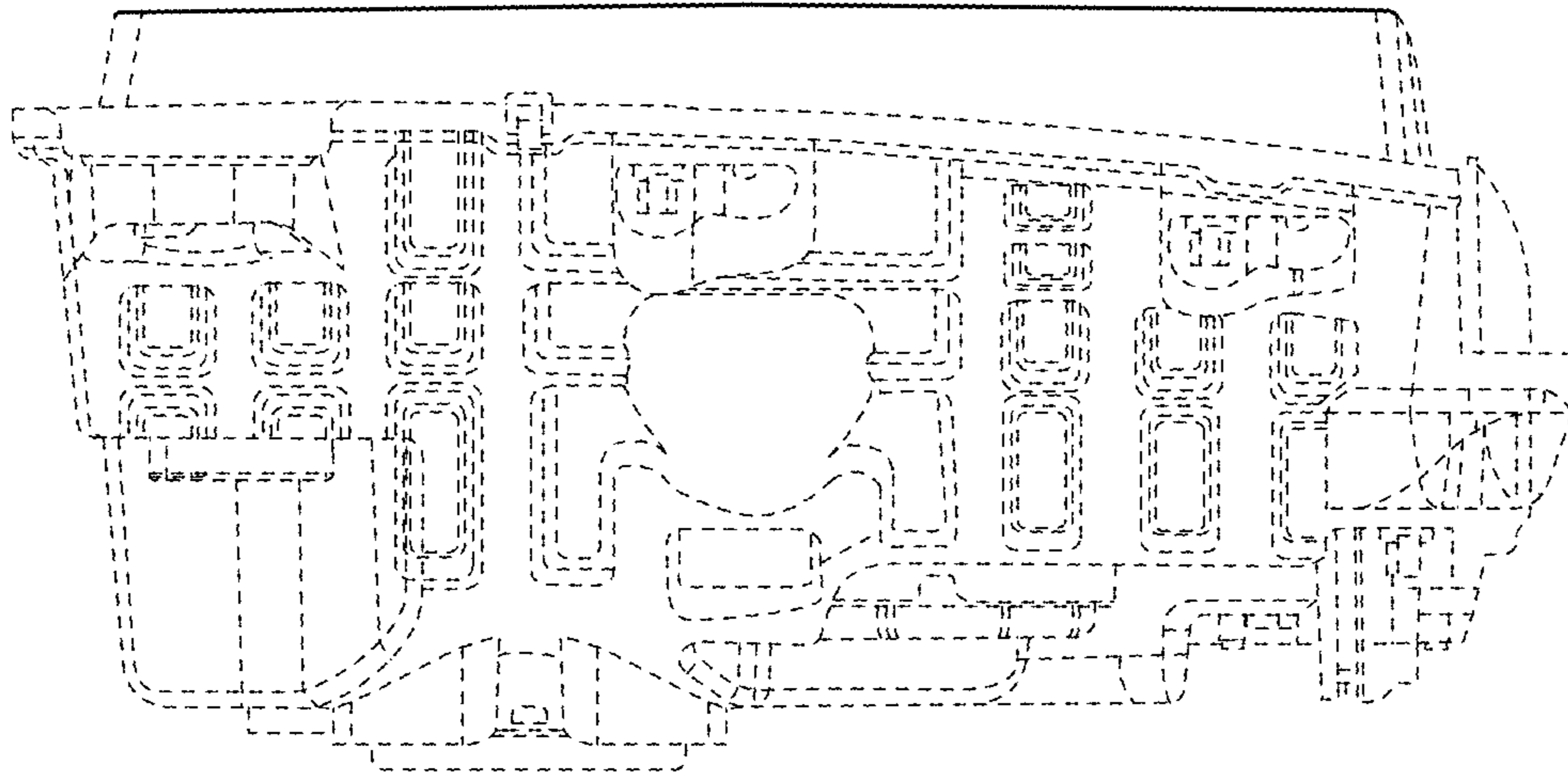


FIG. 5