



US00D928361S

(12) **United States Design Patent** (10) **Patent No.:** **US D928,361 S**
Lin (45) **Date of Patent:** **** *Aug. 17, 2021**

(54) **AUTOMOBILE HEADLIGHT**
(71) Applicant: **Chi-Chung Lin**, Hsinchu (TW)
(72) Inventor: **Chi-Chung Lin**, Hsinchu (TW)
(*) Notice: This patent is subject to a terminal disclaimer.
(**) Term: **15 Years**
(21) Appl. No.: **29/749,787**
(22) Filed: **Sep. 9, 2020**
(51) **LOC (13) Cl.** **26-06**
(52) **U.S. Cl.**
USPC **D26/28**
(58) **Field of Classification Search**
USPC D26/28, 29, 30, 31, 32, 33, 34, 35, 36, D26/44
CPC F21S 48/00; F21S 48/10; F21S 48/115; F21S 48/225; F21S 48/1233; F21S 48/1266; F21S 48/1388; F21S 48/2268; F21V 21/04; F21W 2103/35; F21W 3/40; F21W 2102/17; F21W 2102/30; F21W 2103/00; F21W 2103/55; F21W 2104/00; F21W 2107/17; F21W 2107/13
See application file for complete search history.

(56) **References Cited**
U.S. PATENT DOCUMENTS
D602,619 S 10/2009 Krugger et al.
D641,503 S 7/2011 Krugger et al.
D748,303 S 1/2016 Sato et al.
D767,182 S * 9/2016 Lai D26/28
D794,853 S 8/2017 Lai
D831,245 S * 10/2018 Lin D26/28
D841,206 S 2/2019 Yang
D853,000 S * 7/2019 Lin D26/28

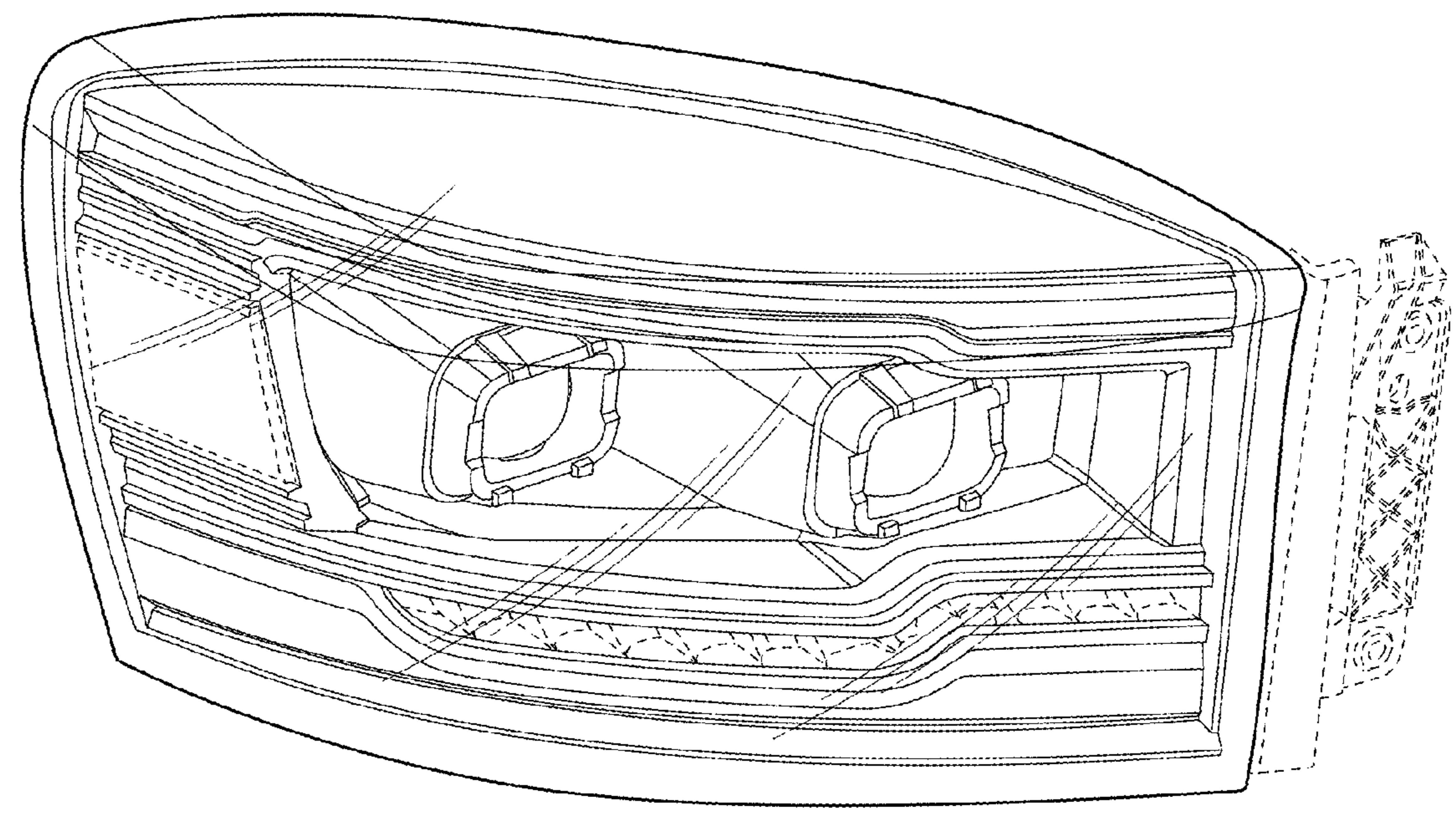
D857,258 S * 8/2019 Lin D26/28
D861,935 S * 10/2019 Badstuebner D26/28
D863,622 S 10/2019 Wu
D875,283 S 2/2020 He
D880,737 S 4/2020 Ninov et al.
D881,426 S 4/2020 Scott et al.
D882,134 S 4/2020 Wu
D883,539 S * 5/2020 Yu D26/28
D884,227 S * 5/2020 He D26/28
D887,050 S * 6/2020 Lin D26/28
D887,595 S * 6/2020 Wu D26/28
D889,001 S 6/2020 He
D889,005 S * 6/2020 Lin D26/28
D889,704 S 7/2020 He
D893,063 S * 8/2020 He D26/28
D907,820 S * 1/2021 Runde D26/28
D908,937 S * 1/2021 Chen D26/28

* cited by examiner
Primary Examiner — Angela J Lee
(74) *Attorney, Agent, or Firm* — Alexander Chen, Esq.

(57) **CLAIM**
The ornamental design for an automobile headlight, as shown and described.

DESCRIPTION
FIG. 1 is a perspective view of an automobile headlight; FIG. 2 is a front view thereof; FIG. 3 is a side view thereof; FIG. 4 is a top view thereof; and, FIG. 5 is a bottom view thereof.
The broken lines shown in the drawings represent portions of the automobile headlight that form no part of the claimed design.
The drawings and descriptions disclose the right side embodiment. The claim is also for a mirror image left side embodiment.

1 Claim, 5 Drawing Sheets



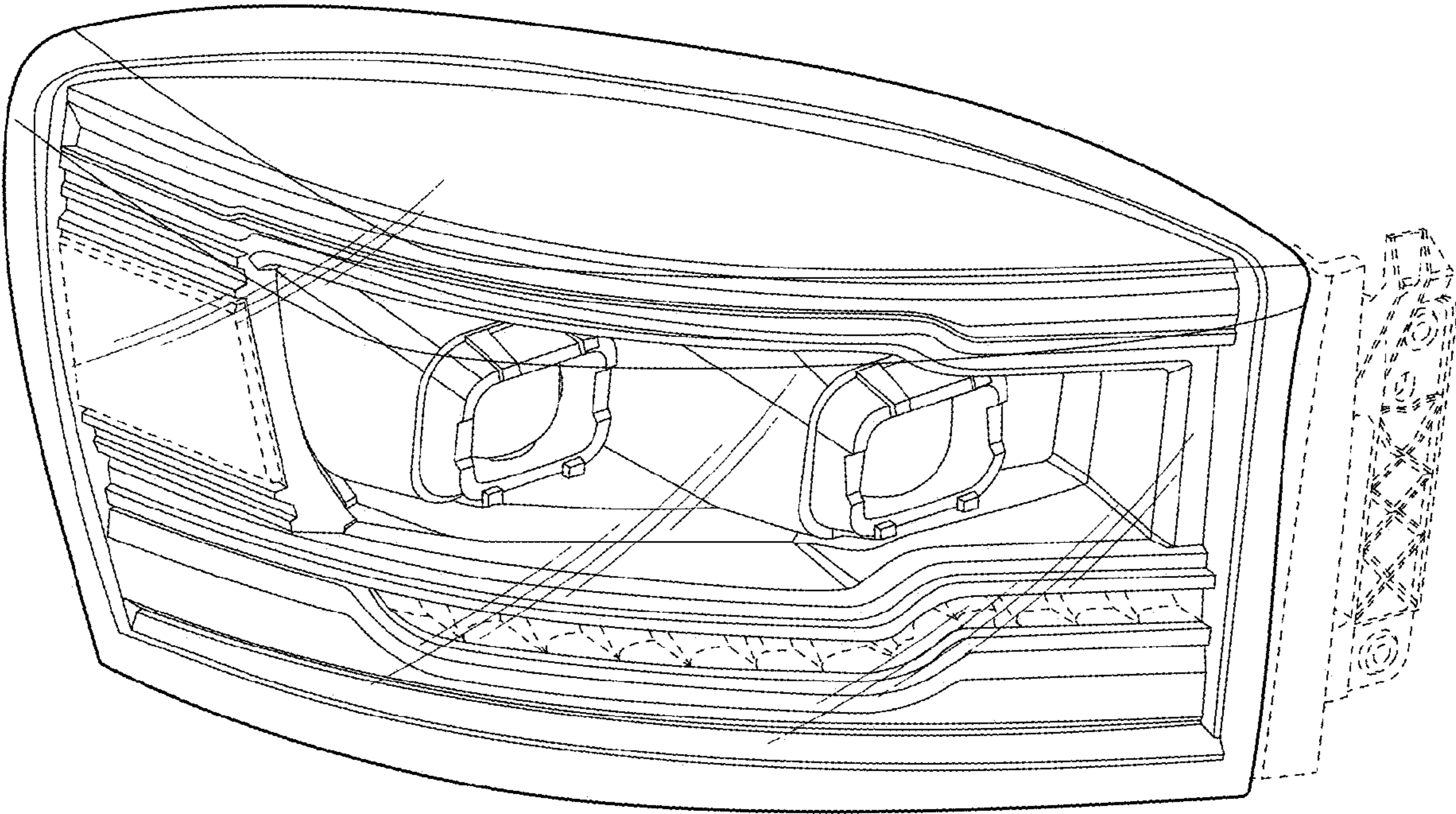


FIG. 1

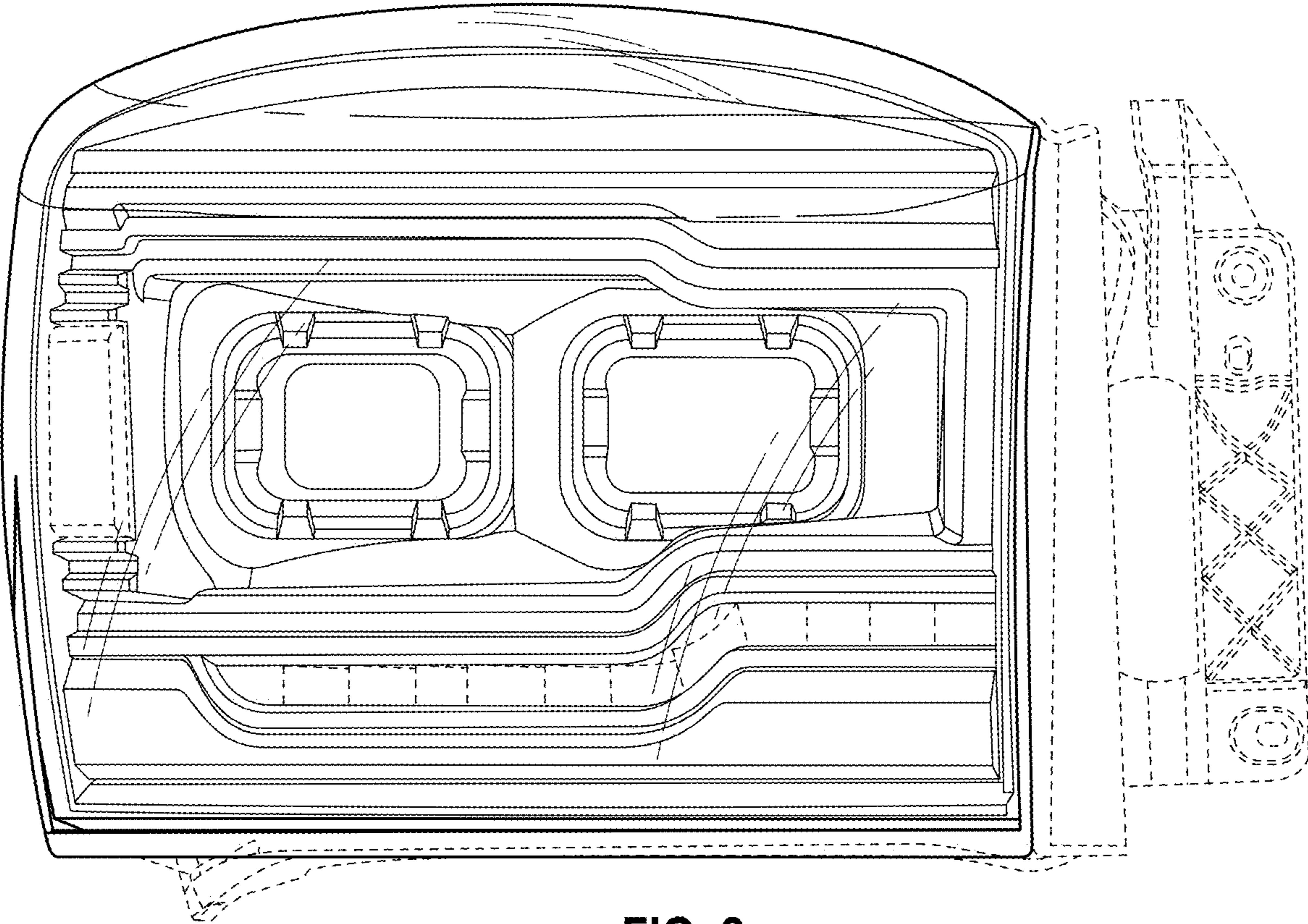


FIG. 2

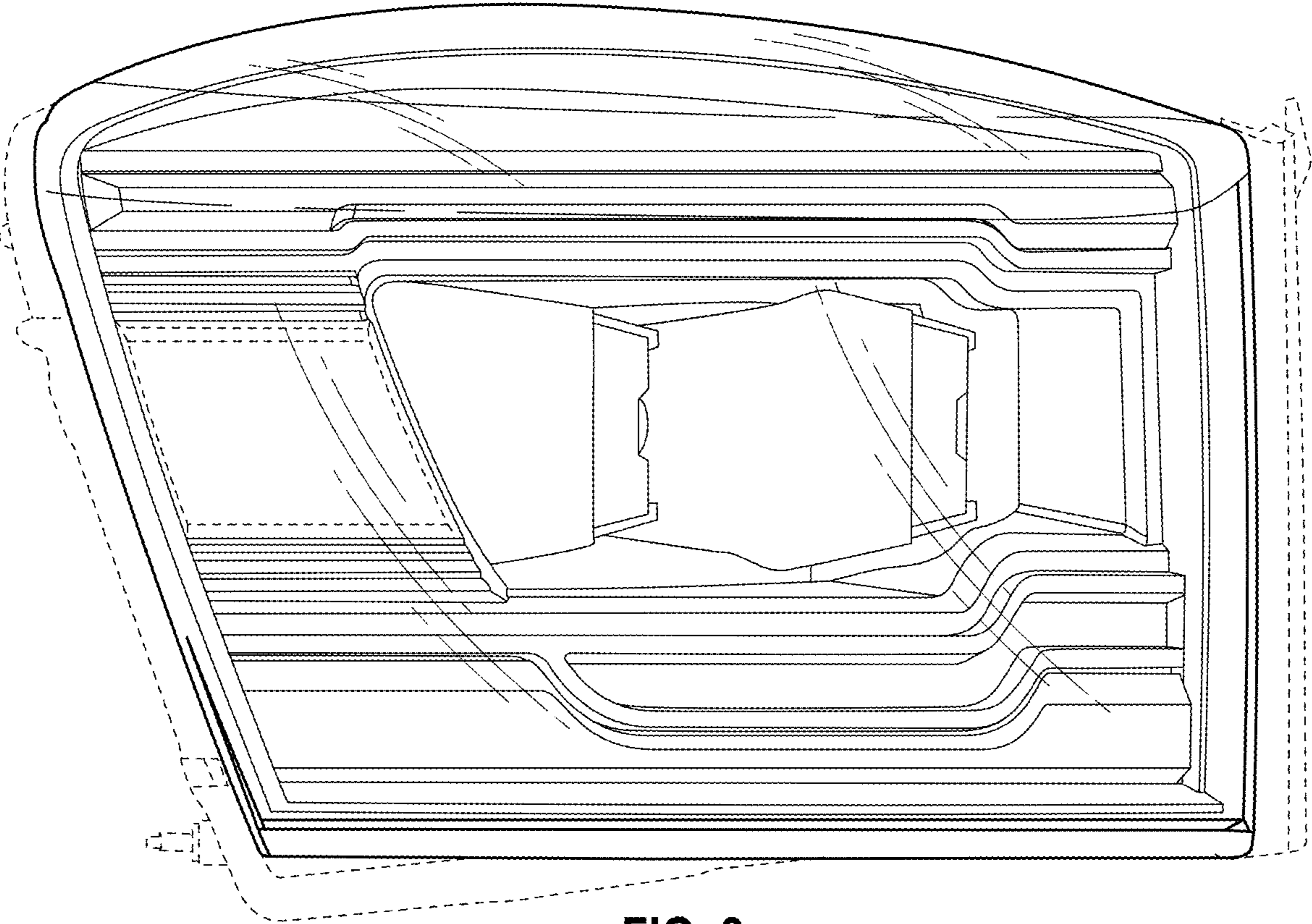


FIG. 3

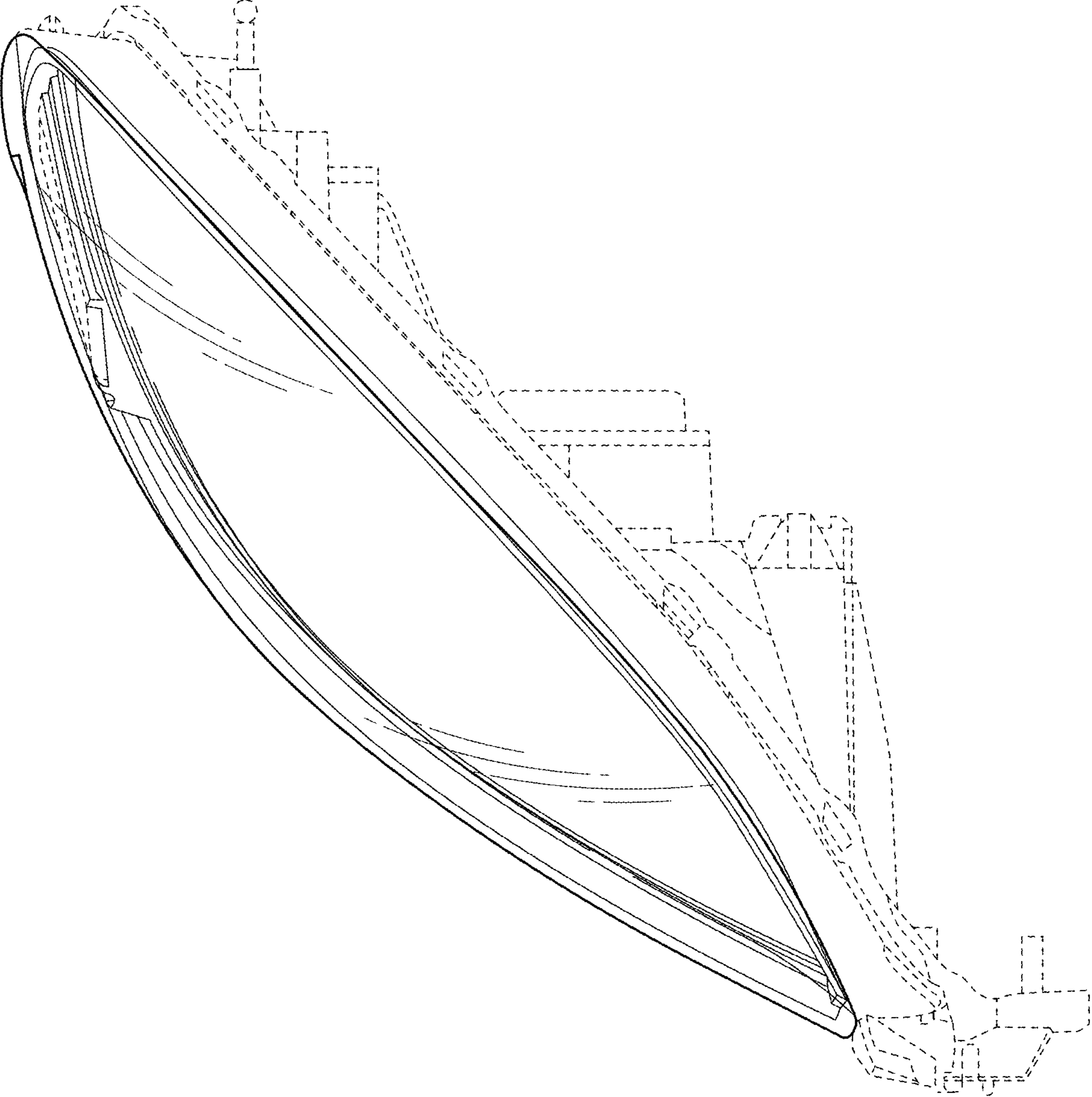


FIG. 4

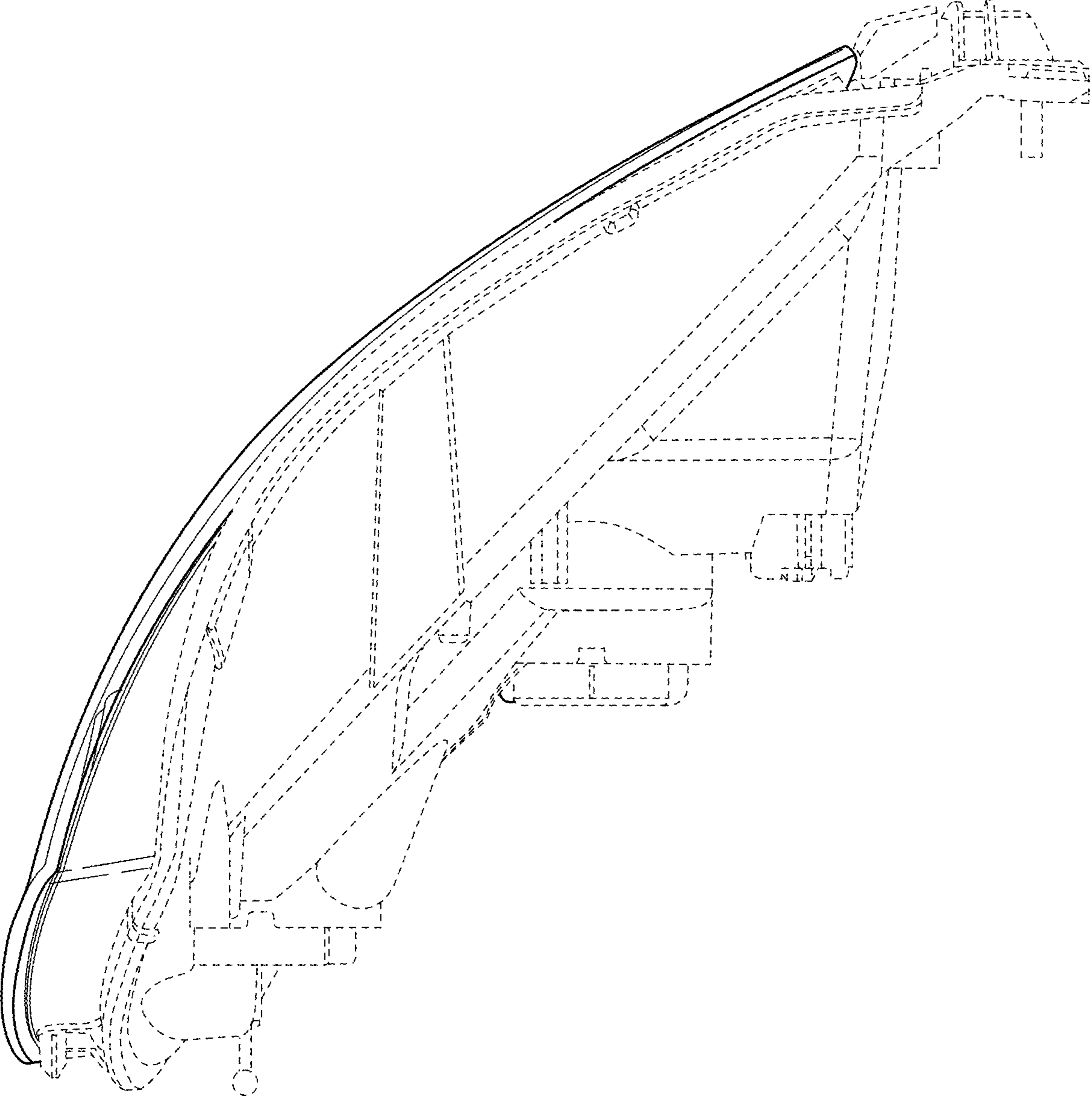


FIG. 5