



US00D928359S

(12) **United States Design Patent** (10) **Patent No.:** **US D928,359 S**  
**Luo** (45) **Date of Patent:** **\*\* Aug. 17, 2021**

(54) **TAILLIGHT**

(71) Applicant: **Xing Wen Luo**, City of Industry, CA  
(US)

(72) Inventor: **Xing Wen Luo**, City of Industry, CA  
(US)

(\*\*) Term: **15 Years**

(21) Appl. No.: **29/733,978**

(22) Filed: **May 7, 2020**

(51) **LOC (13) Cl.** ..... **26-06**

(52) **U.S. Cl.**  
USPC ..... **D26/28**

(58) **Field of Classification Search**  
USPC ..... D26/28-36, 139  
CPC ..... F21S 48/00; F21S 48/10; F21S 48/115;  
F21S 48/225; F21S 48/1233; F21S  
48/1266; F21S 48/1388; F21S 48/2268;  
F21V 5/00; F21V 21/04; F21V 29/004;  
B60Q 9/13; B60Q 9/135; B60Q 9/1375  
See application file for complete search history.

(56) **References Cited**

**U.S. PATENT DOCUMENTS**

D604,874 S \* 11/2009 Golden ..... D26/28  
D703,847 S \* 4/2014 MacKay ..... D26/28  
D735,911 S \* 8/2015 O'Donnell ..... D26/28  
D744,678 S \* 12/2015 Lai ..... D26/28

D745,725 S \* 12/2015 McMahan ..... D26/28  
D749,246 S \* 2/2016 Thole ..... D26/28  
D761,458 S \* 7/2016 Chung ..... D26/28  
D770,068 S \* 10/2016 Kapitonov ..... D26/28  
D792,618 S \* 7/2017 Wu ..... D26/28  
D796,708 S \* 9/2017 Lai ..... D26/28

\* cited by examiner

*Primary Examiner* — Marcus A Jackson  
(74) *Attorney, Agent, or Firm* — Raymond Y. Chan;  
David and Raymond Patent Firm

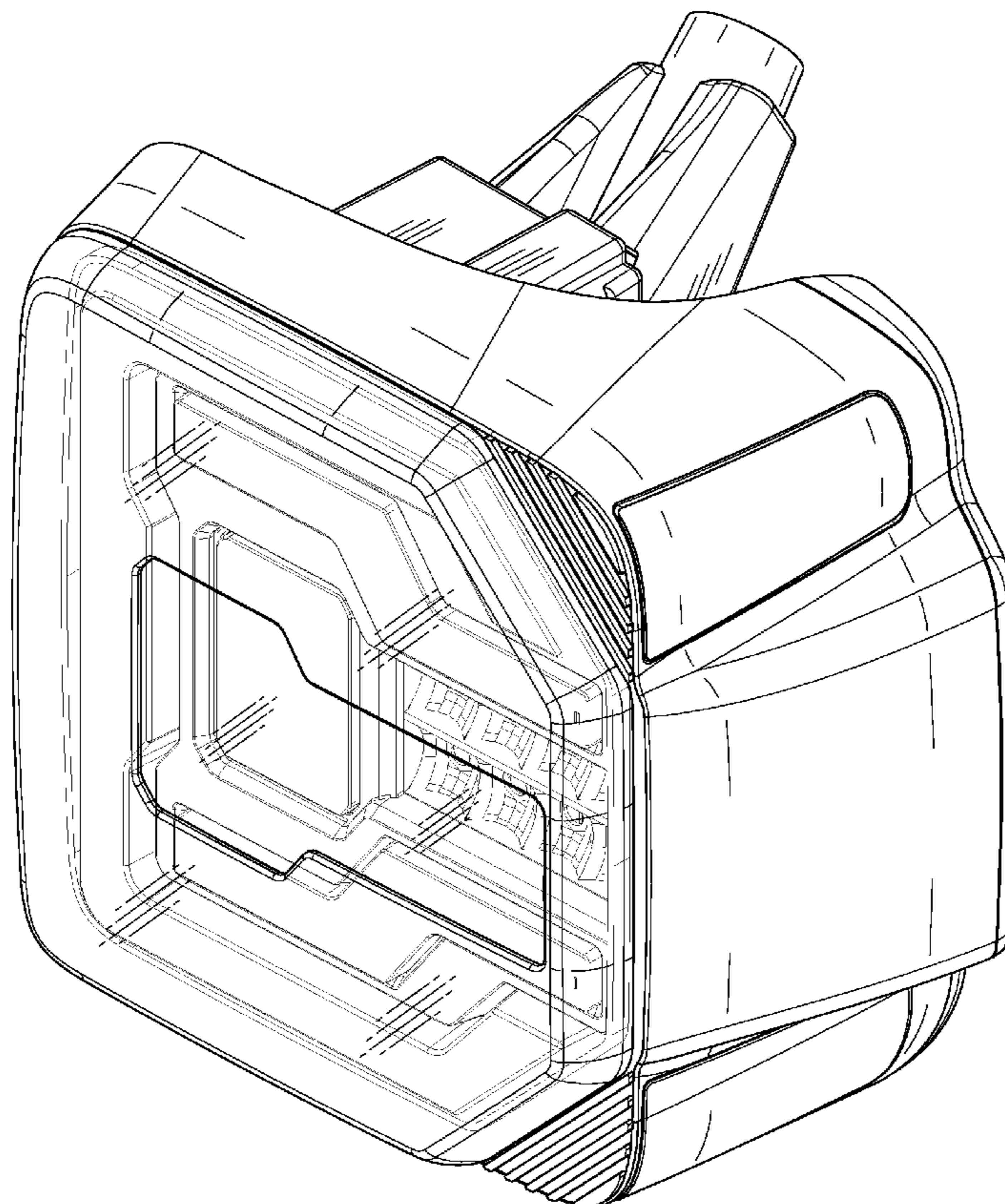
(57) **CLAIM**

The ornamental design for a taillight, as shown and described.

**DESCRIPTION**

FIG. 1 is a perspective view of the taillight of my new design;  
FIG. 2 is a front view thereof;  
FIG. 3 is a rear view thereof;  
FIG. 4 is a right view thereof;  
FIG. 5 is a left view thereof;  
FIG. 6 is a top view thereof;  
FIG. 7 is a bottom view thereof;  
FIG. 8 is a front view thereof, illustrating the taillight without a front lens frame; and,  
FIG. 9 is an exploded perspective view thereof.

**1 Claim, 9 Drawing Sheets**



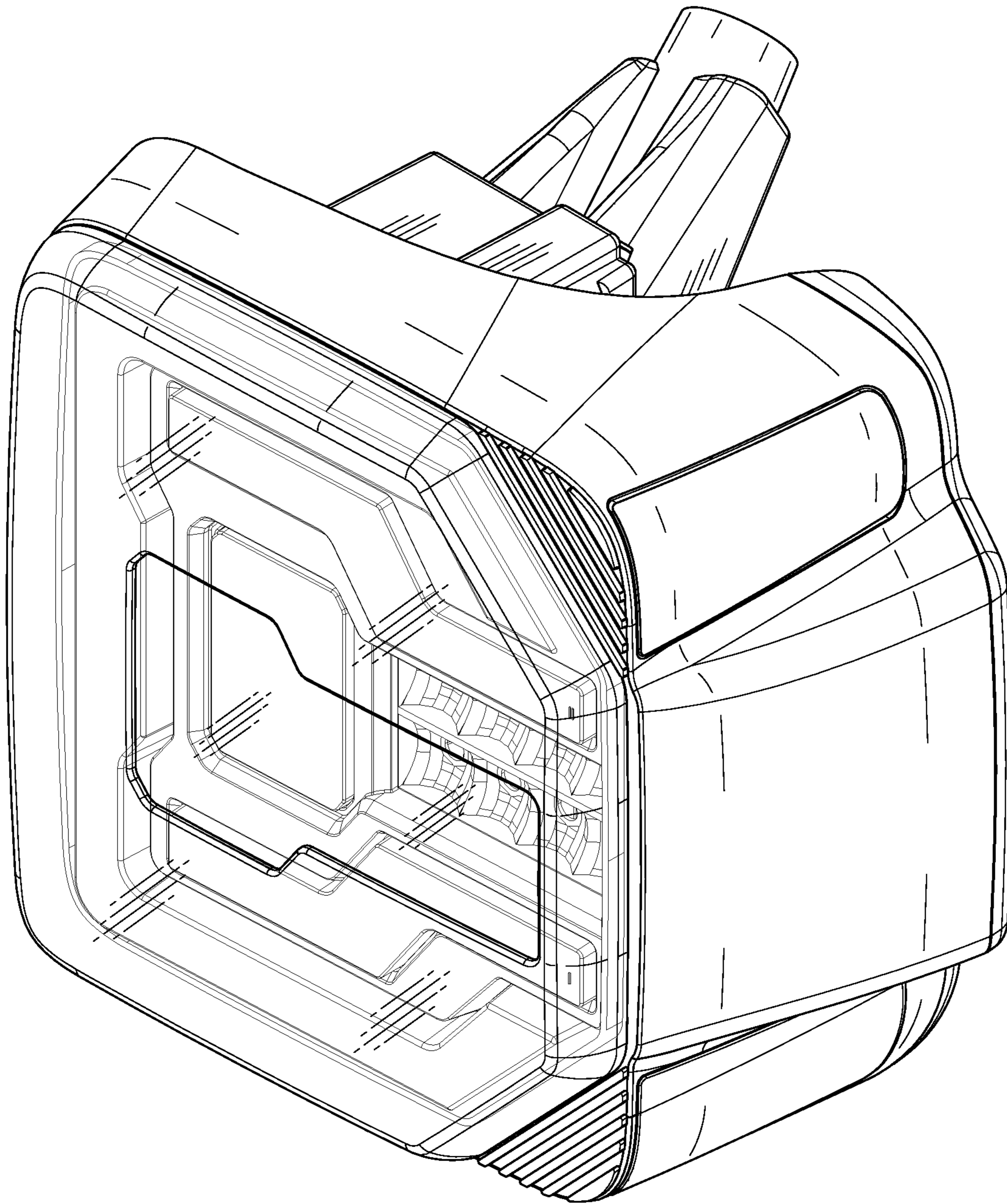


FIG 1

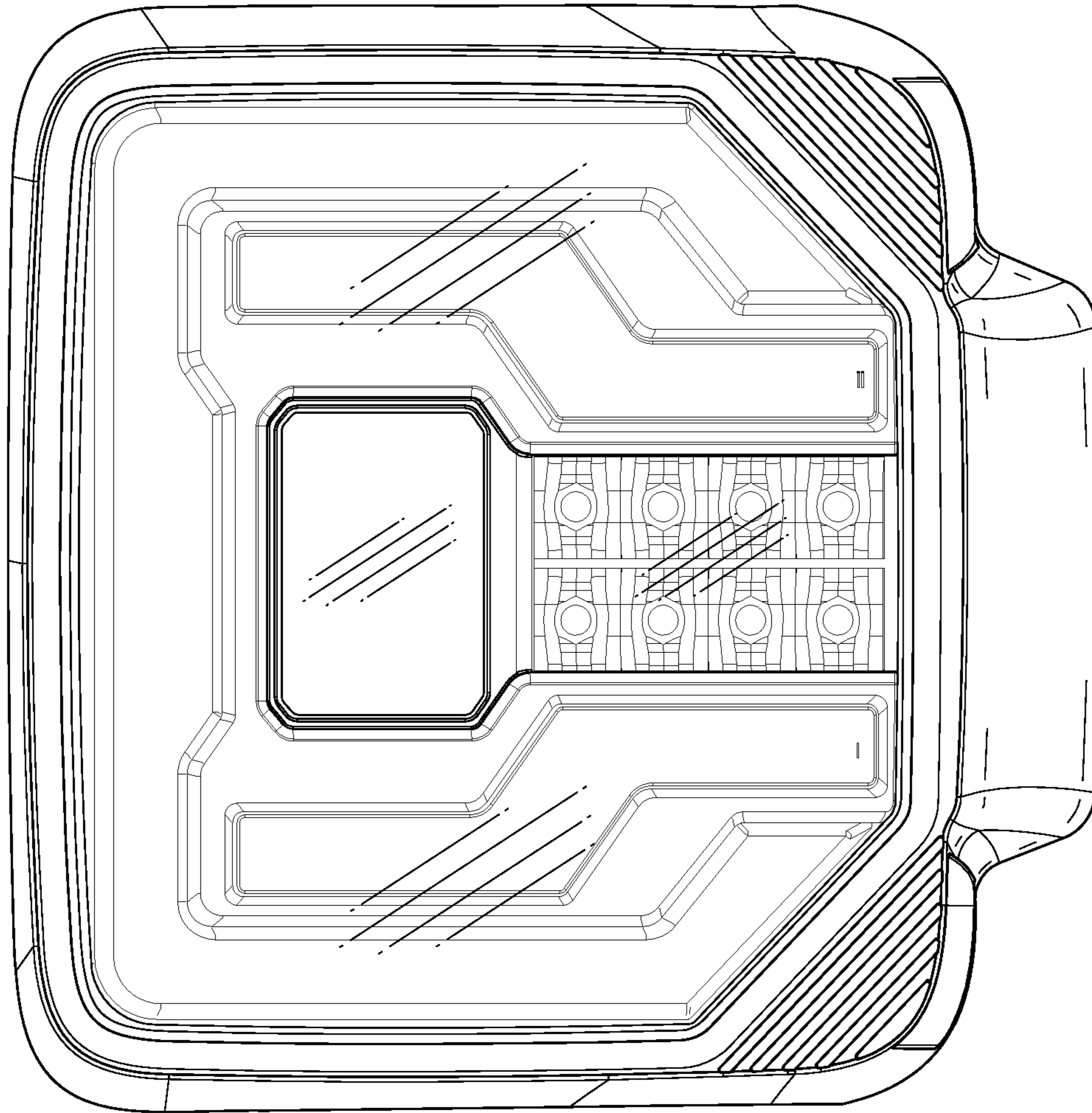


FIG 2

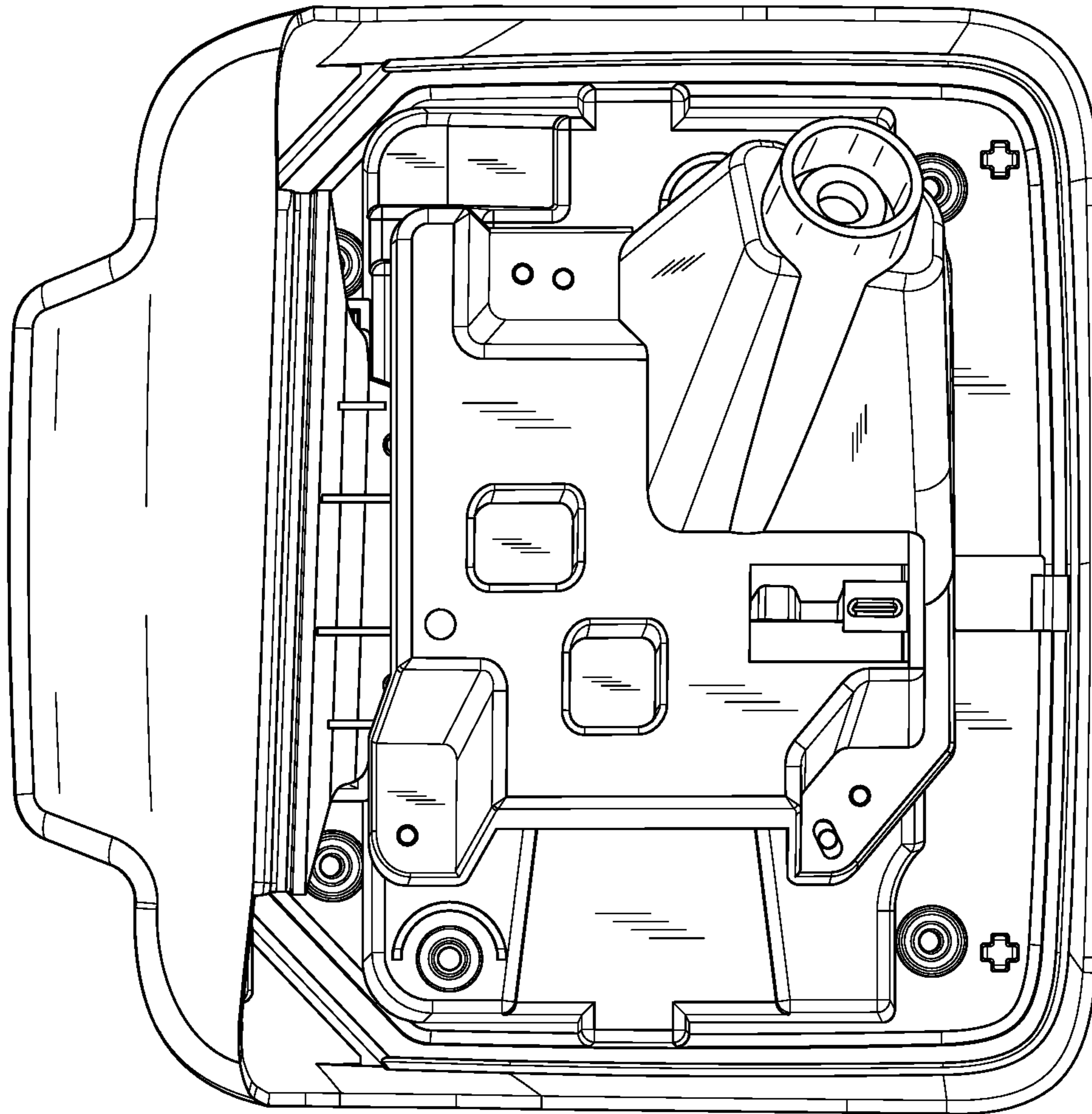


FIG 3

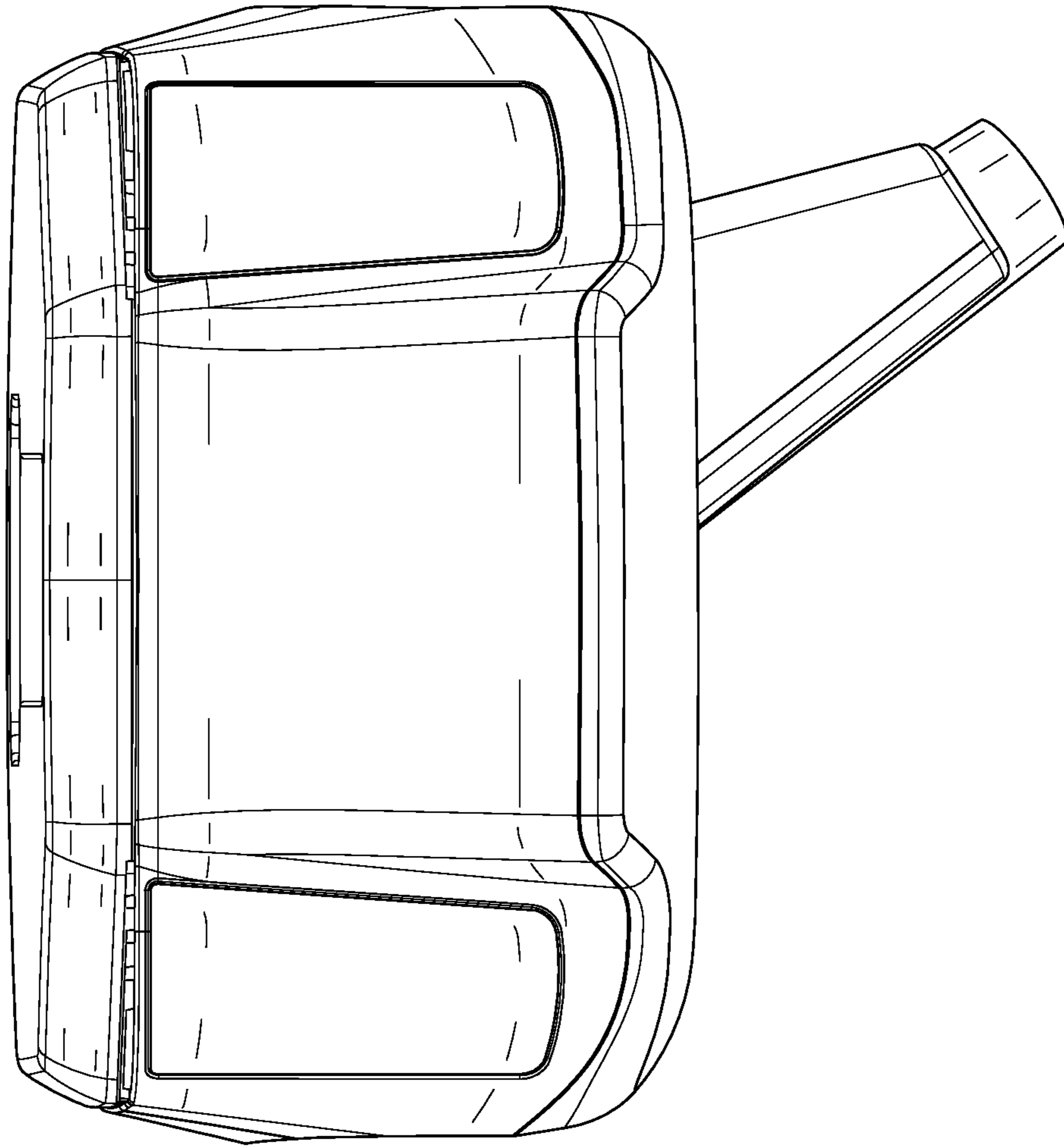


FIG 4

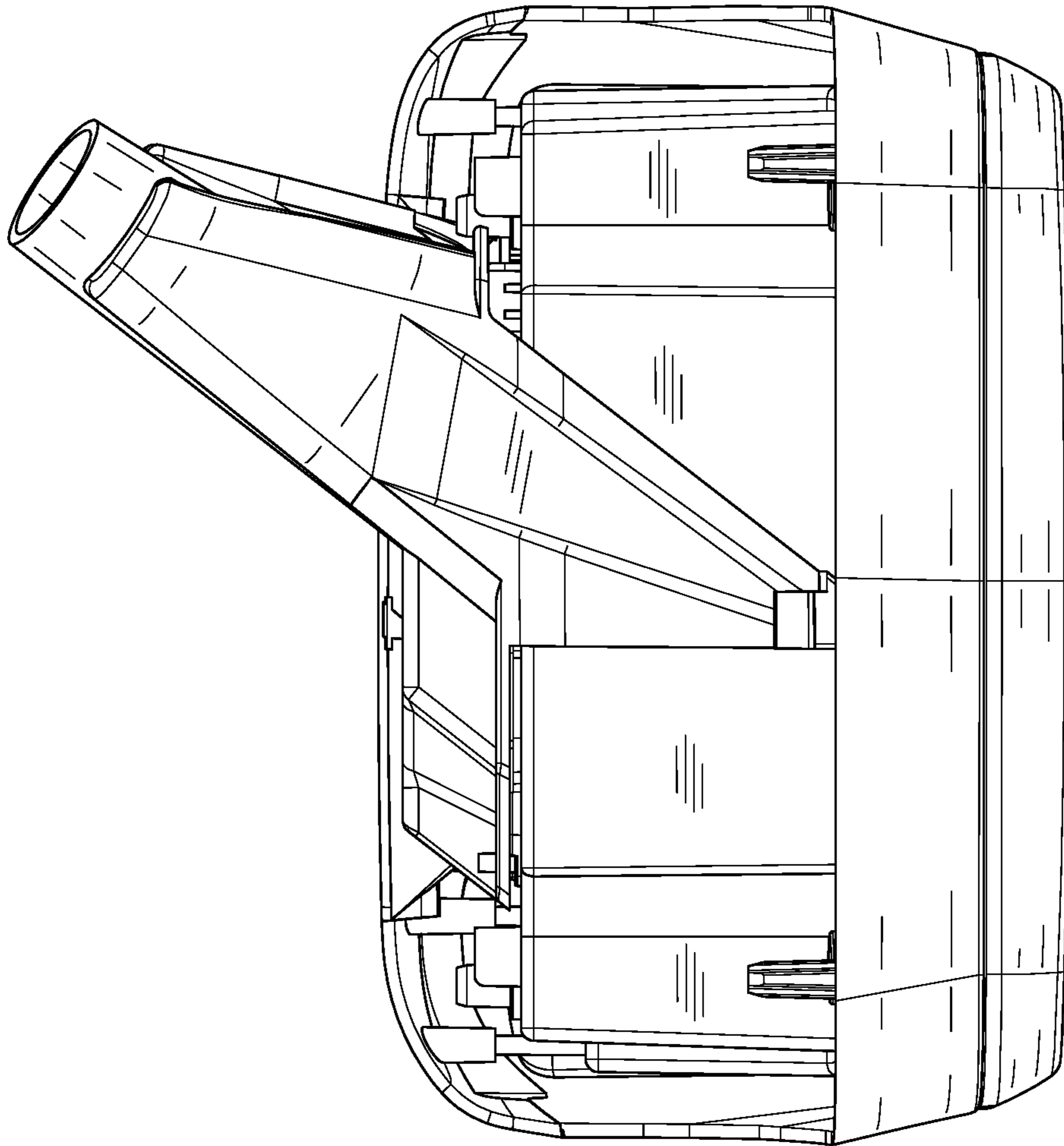


FIG 5

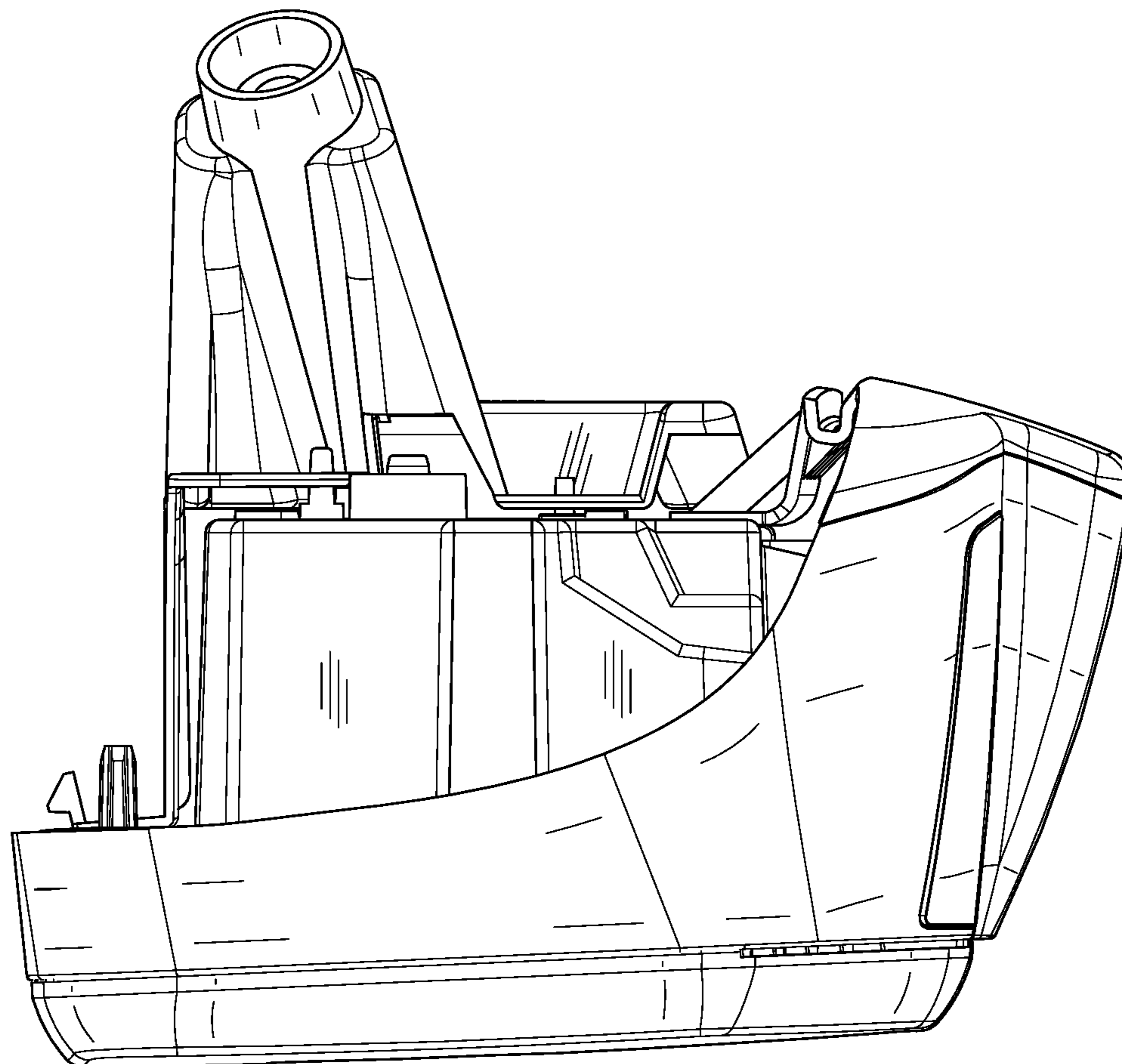


FIG 6

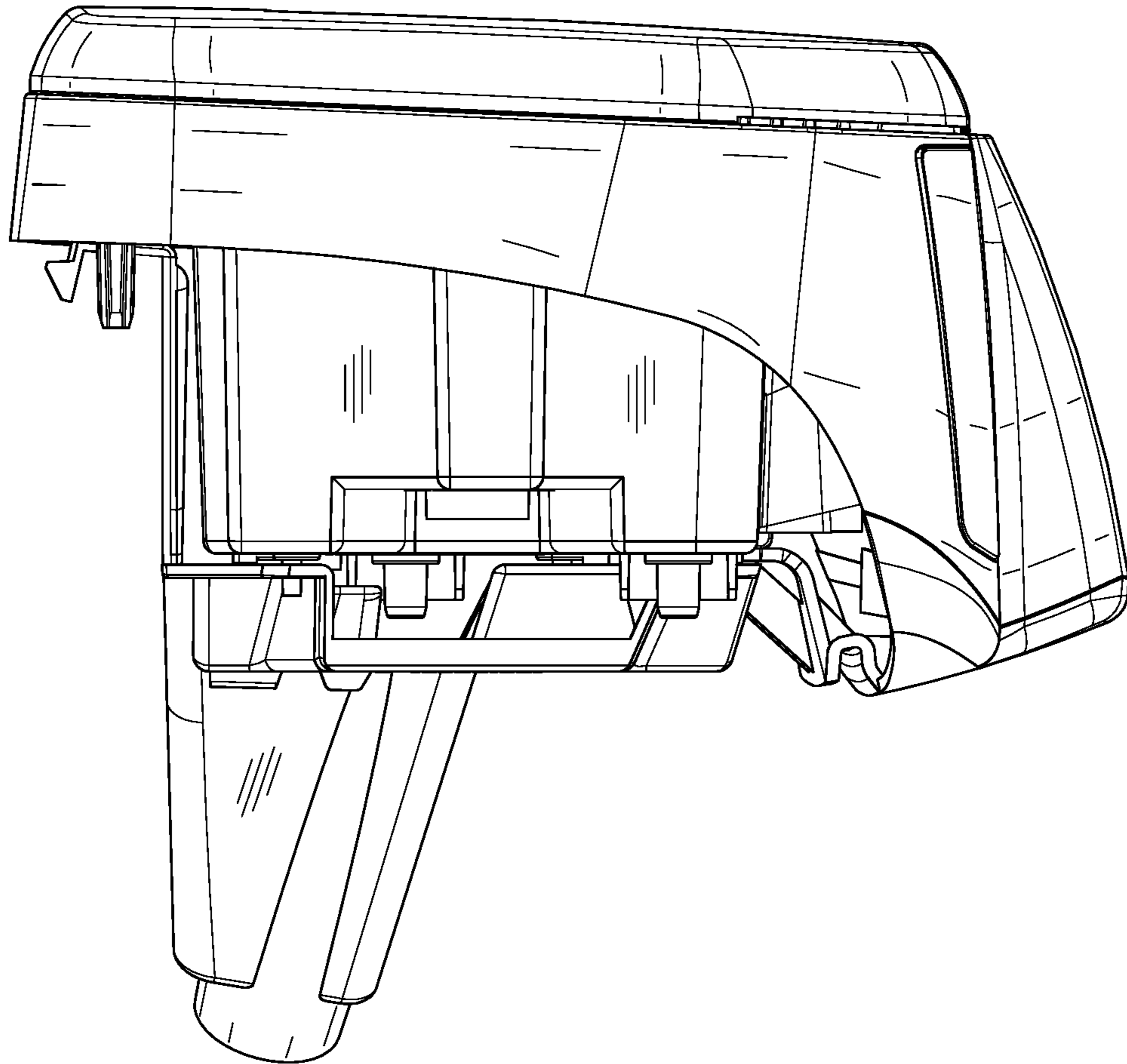


FIG 7



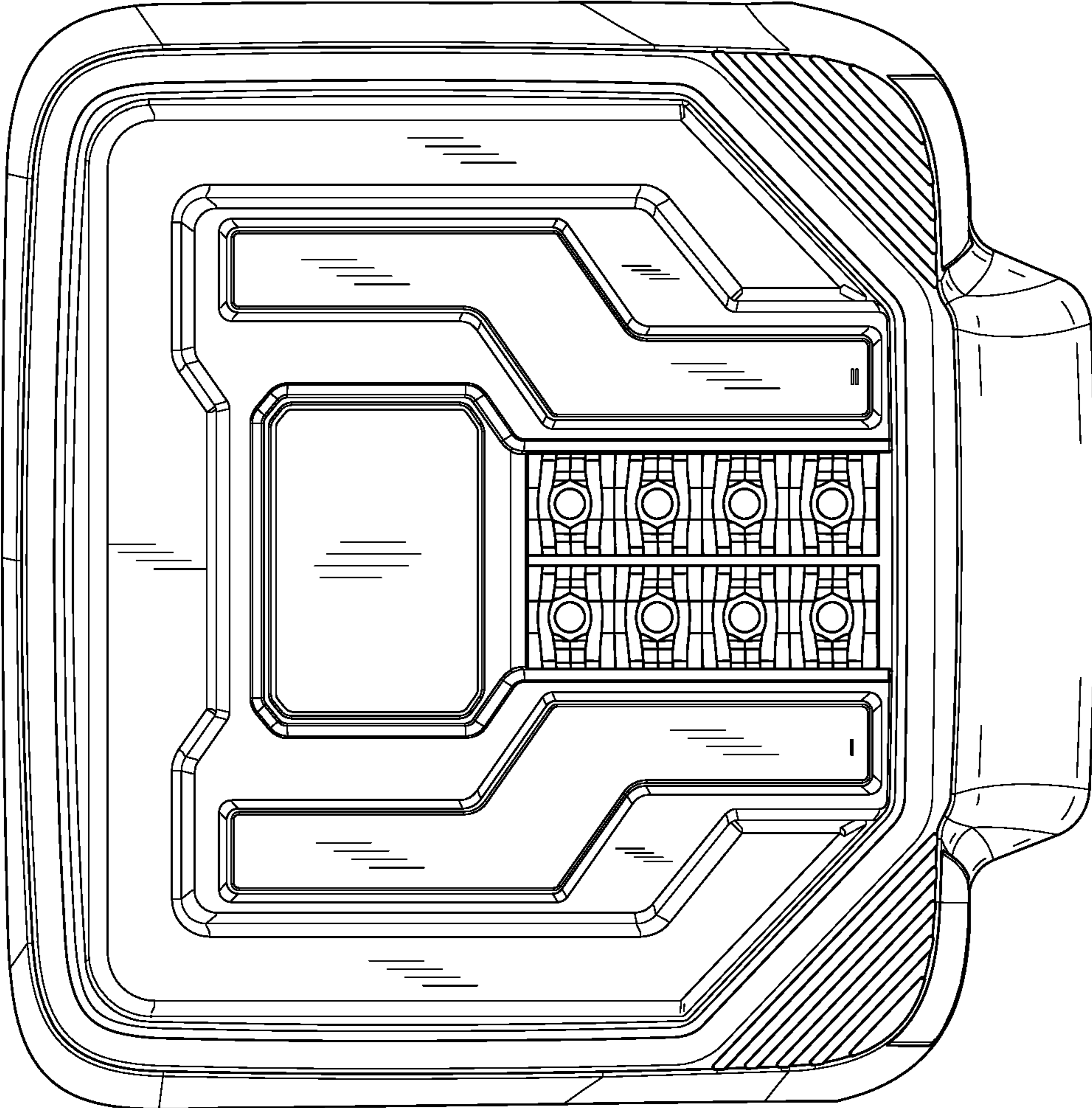


FIG 8

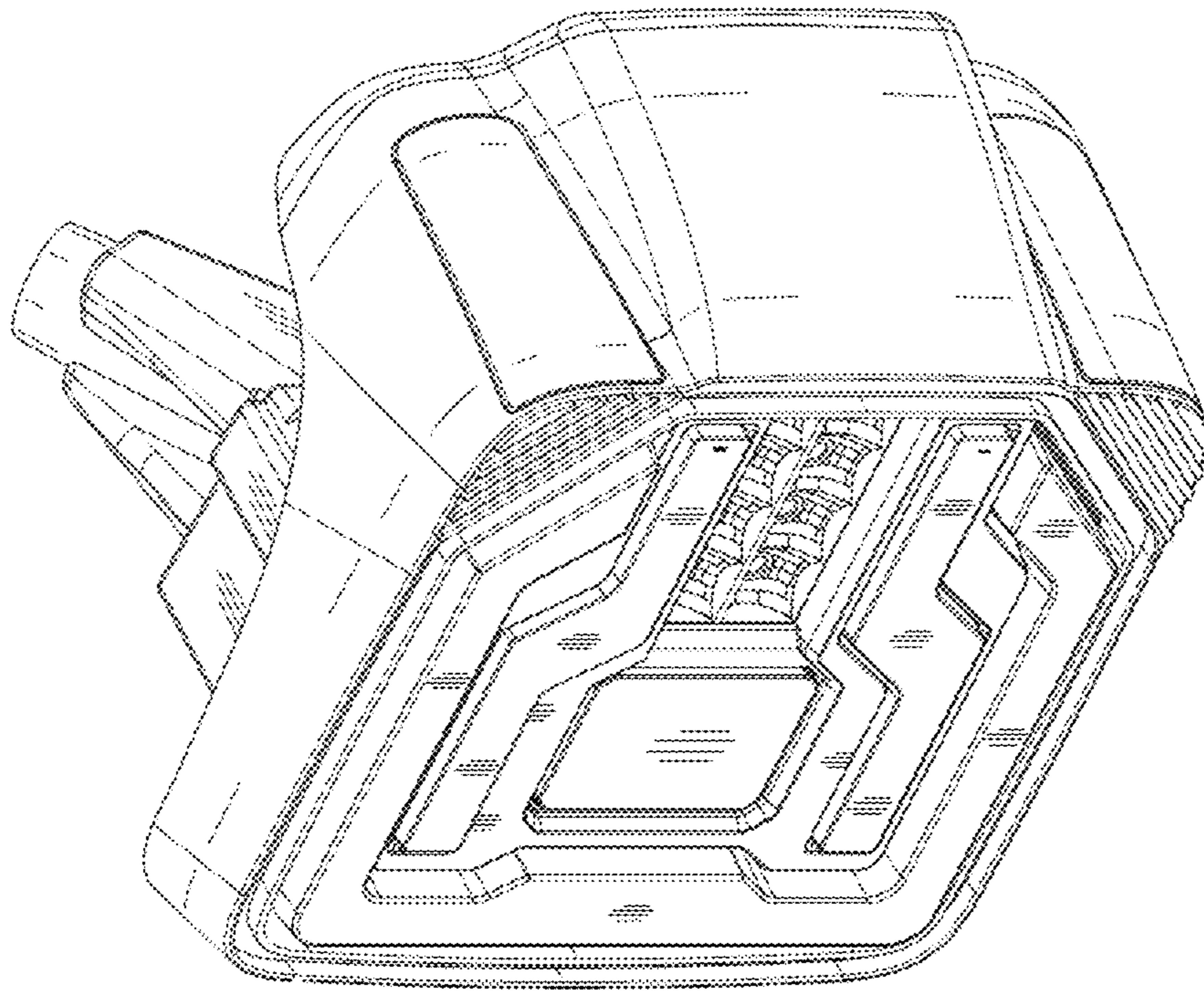


FIG 9

