



US00D928358S

(12) **United States Design Patent**  
**Korpi**

(10) **Patent No.:** **US D928,358 S**

(45) **Date of Patent:** **\*\* Aug. 17, 2021**

(54) **WORKING LIGHT**

(71) Applicant: **Nordic Lights Oy**, Jakobstad (FI)

(72) Inventor: **Jari Korpi**, Pietarsaari (FI)

(73) Assignee: **Nordic Lights Oy**, Jakobstad (FI)

(\*\*) Term: **15 Years**

(21) Appl. No.: **29/725,585**

(22) Filed: **Feb. 26, 2020**

(30) **Foreign Application Priority Data**

Aug. 28, 2019 (EM) ..... 006776845-0004

(51) **LOC (13) Cl.** ..... **26-06**

(52) **U.S. Cl.**  
USPC ..... **D26/28; D26/24**

(58) **Field of Classification Search**  
USPC ... D26/1, 24, 28, 34, 35, 36, 60, 61, 63, 72,  
D26/74, 76, 82, 83, 123, 124, 139;  
D10/104.1, 114.2, 114.3, 114.4  
CPC ... B60Q 1/00; B60Q 1/18; B60Q 1/20; B60Q  
1/24; B60Q 1/26; B60Q 1/0483; B60Q  
1/2619; F21S 43/00; F21S 43/14; F21S  
43/242-251; F21S 8/02; F21S 8/003;  
F21S 41/00; F21S 41/26; F21S 41/162;  
F21S 41/173; F21V 29/00; F21V 29/74;  
F21V 29/76; F21V 29/763; F21V 15/00;  
F21V 15/01; F21V 15/04; F21V 15/012  
See application file for complete search history.

(56) **References Cited**

**U.S. PATENT DOCUMENTS**

D630,353 S \* 1/2011 Reinbach ..... D26/28  
8,215,812 B2 \* 7/2012 Liao ..... B60Q 1/18  
362/507

D714,484 S \* 9/2014 Barnes ..... D26/72  
D720,480 S \* 12/2014 Demshki, Jr. .... D26/24  
D739,594 S \* 9/2015 Adams ..... D26/118  
D784,599 S \* 4/2017 Sibitzky ..... D26/118  
D807,538 S \* 1/2018 Guercio ..... D26/24  
D810,330 S \* 2/2018 Sibitzky ..... D26/28  
D863,613 S \* 10/2019 Korpi ..... D26/28  
D863,615 S \* 10/2019 Renvall ..... D26/28  
D863,616 S \* 10/2019 Renvall ..... D26/28  
D863,617 S \* 10/2019 Lindholm ..... D26/28  
D866,818 S \* 11/2019 Lindholm ..... D26/28  
D870,925 S \* 12/2019 Wu ..... D26/28  
D872,920 S \* 1/2020 Korpi ..... D26/63  
D874,037 S \* 1/2020 Grabowski ..... D26/28  
D880,027 S \* 3/2020 Horn ..... D26/28  
D881,428 S \* 4/2020 Ko ..... D26/28  
D904,654 S \* 12/2020 Horn ..... D26/28  
D913,574 S \* 3/2021 Kujawa ..... D26/118

\* cited by examiner

*Primary Examiner* — Wan Laymon

*Assistant Examiner* — Clint A Samuel

(74) *Attorney, Agent, or Firm* — Merchant & Gould P.C.

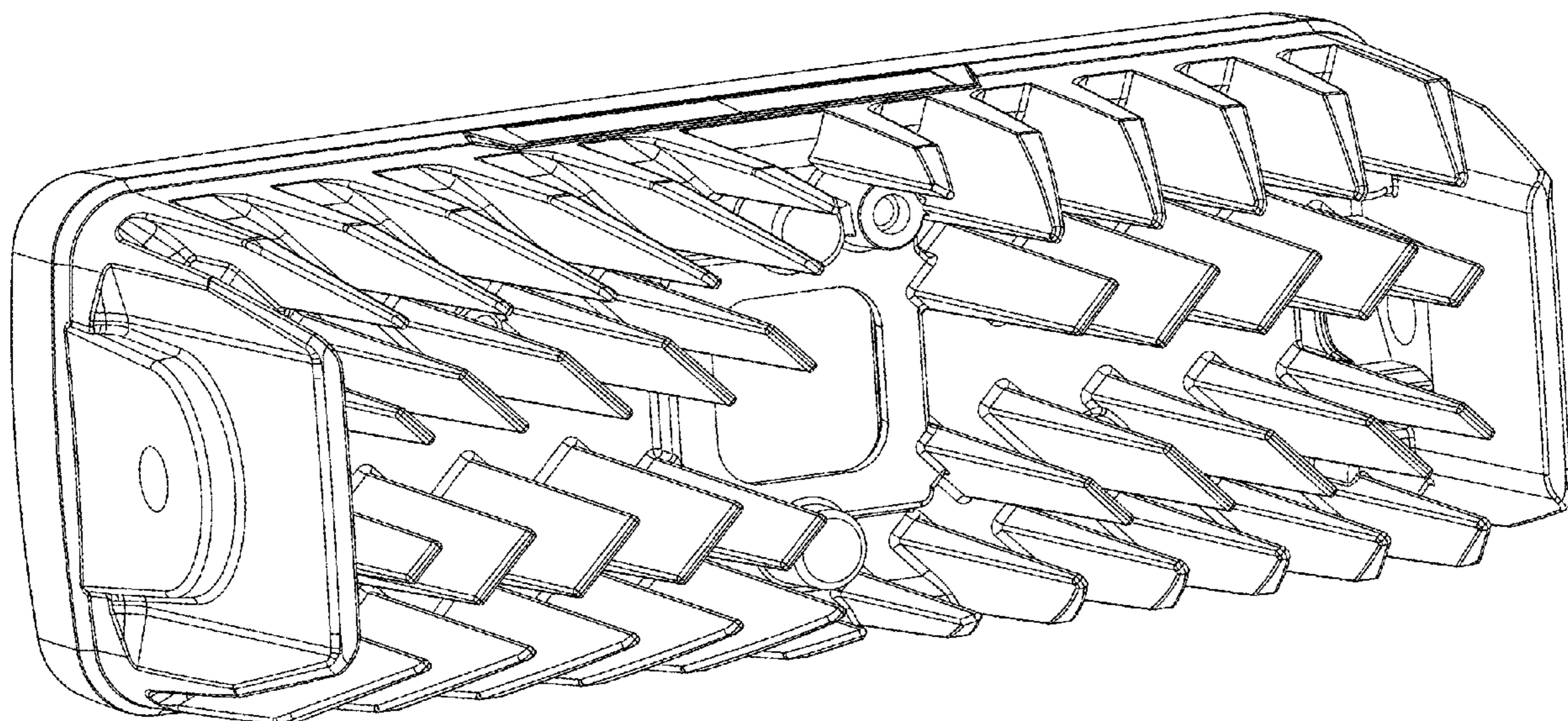
(57) **CLAIM**

The ornamental design for a working light, as shown and described.

**DESCRIPTION**

FIG. 1 is a perspective view of the working light, showing my new design;  
FIG. 2 is a different perspective view thereof;  
FIG. 3 is a front view thereof;  
FIG. 4 is a rear view thereof;  
FIG. 5 is an enlarged left side view thereof;  
FIG. 6 is a top plan view thereof;  
FIG. 7 is a bottom plan view thereof; and,  
FIG. 8 is an enlarged right side view thereof.

**1 Claim, 8 Drawing Sheets**



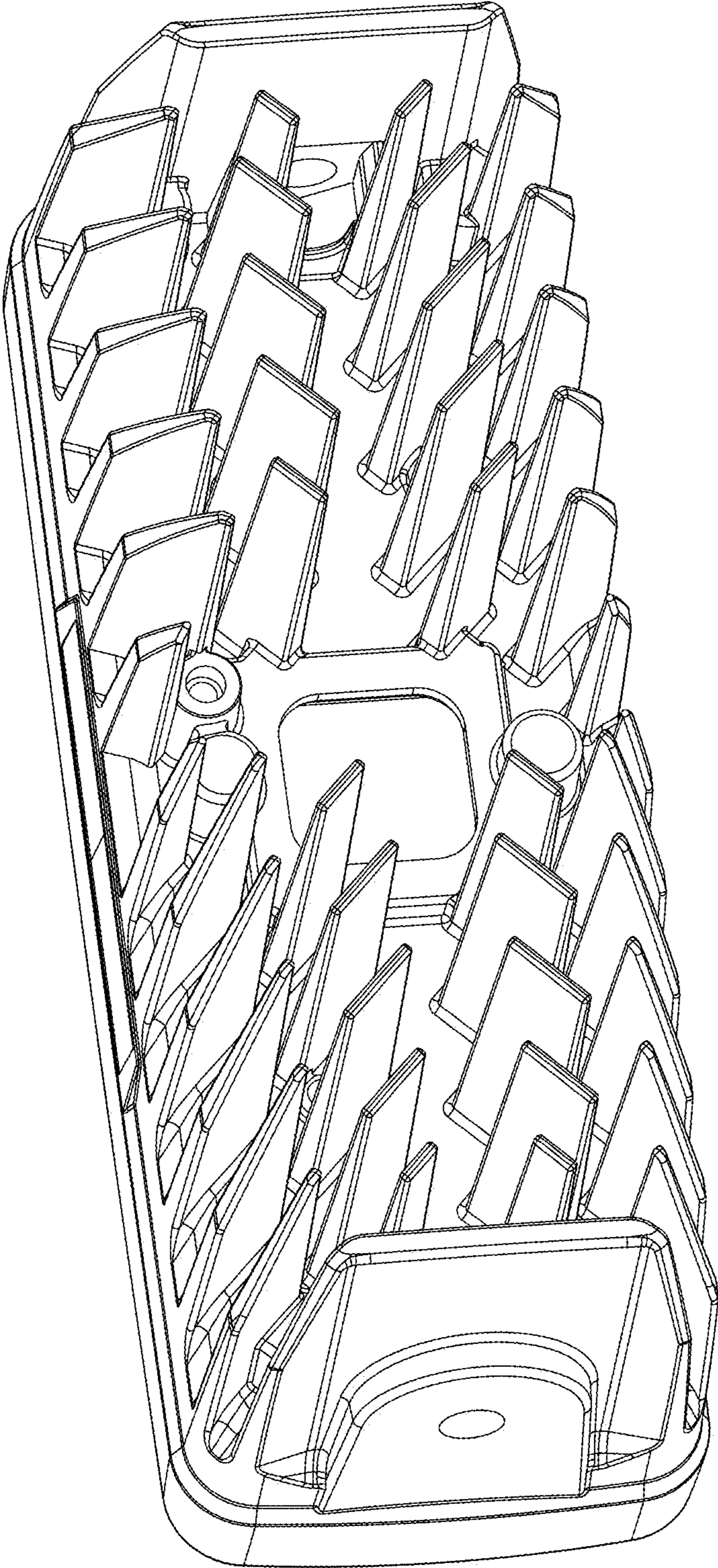
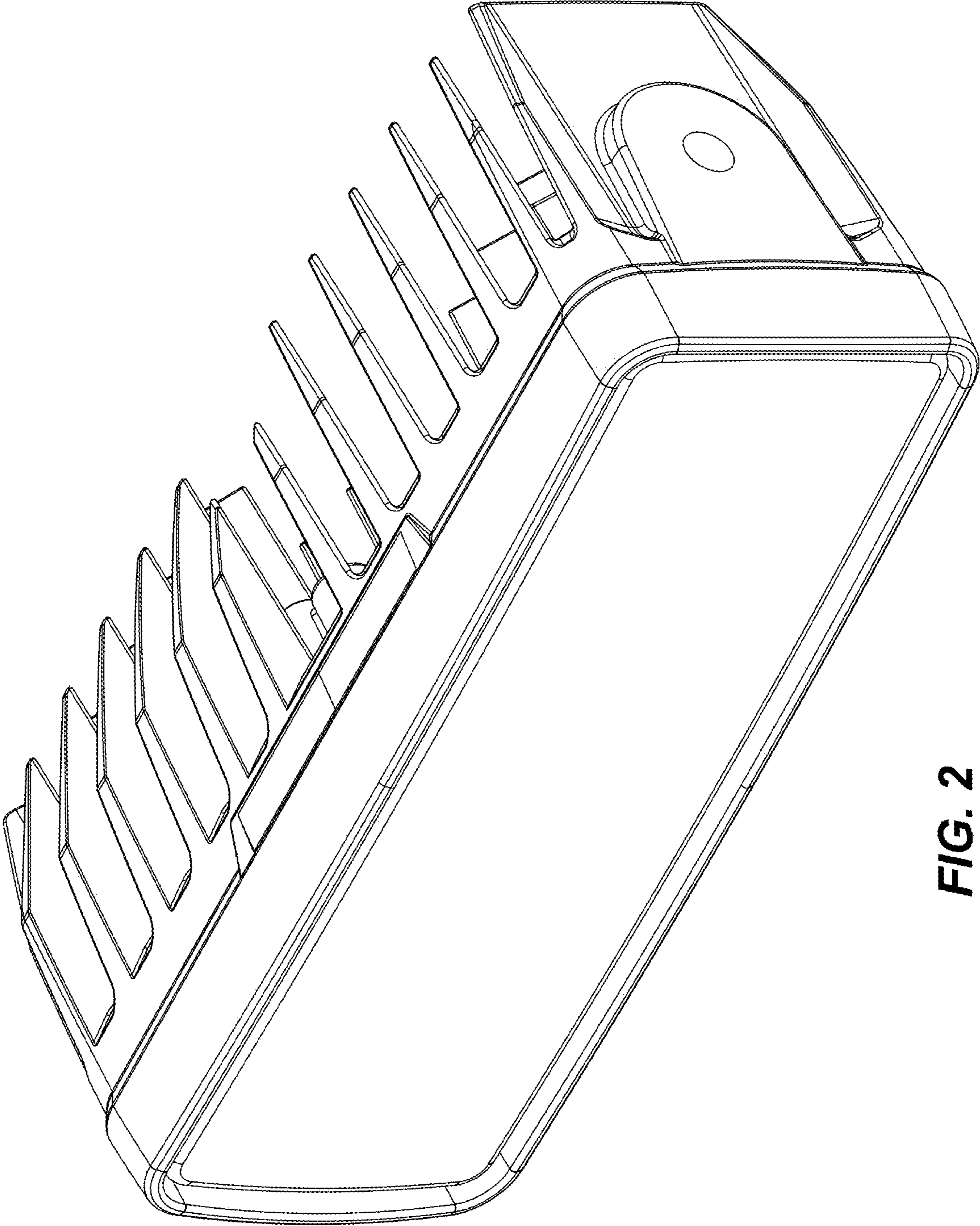
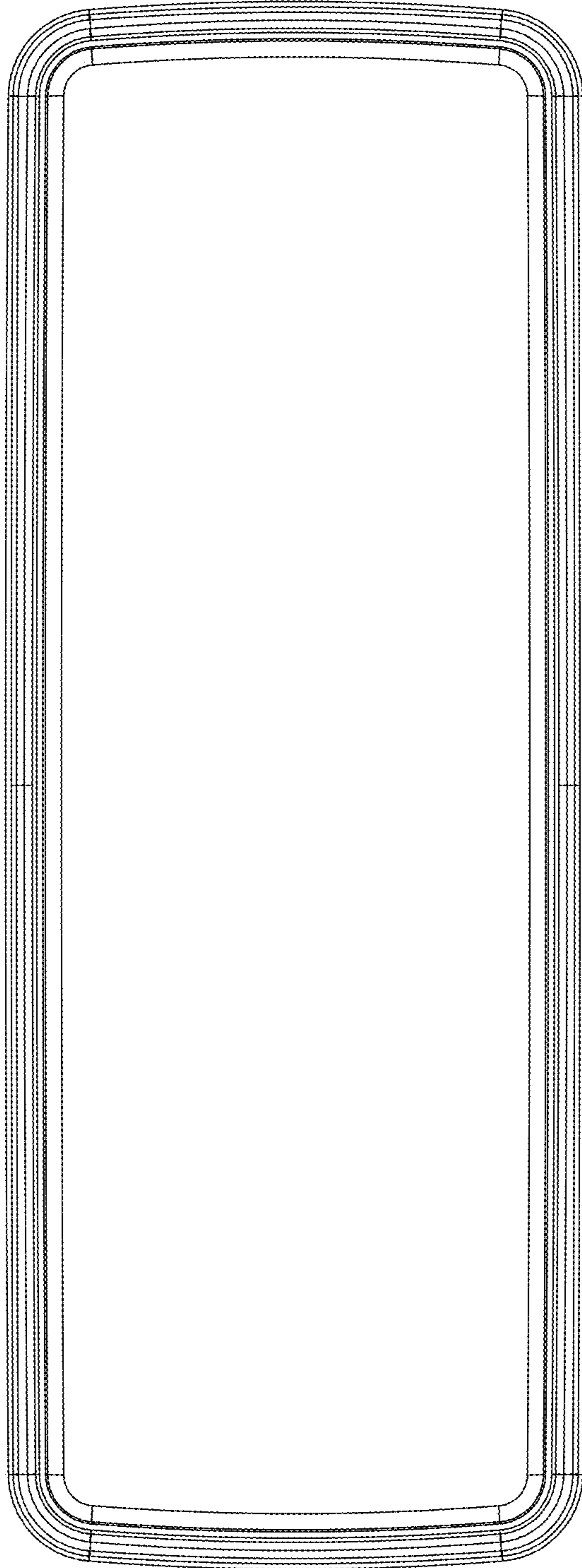


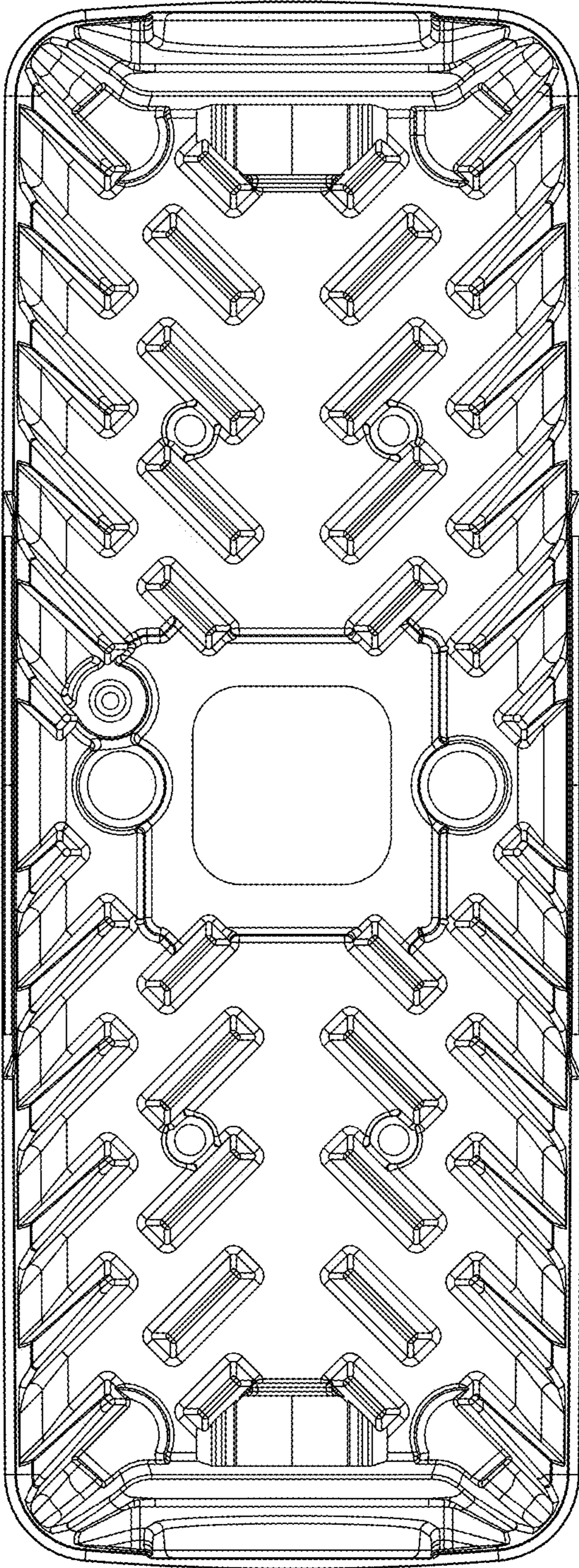
FIG. 1



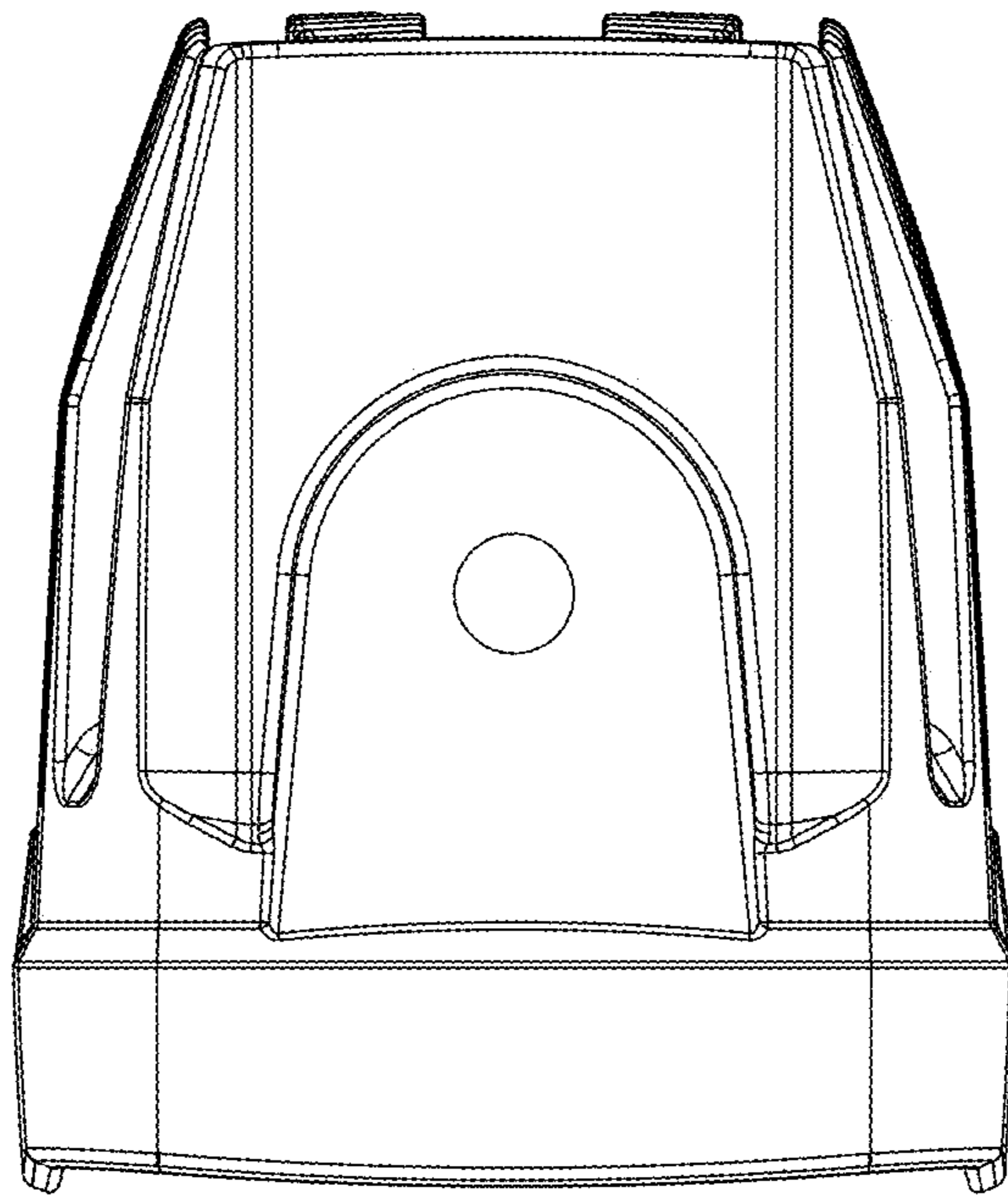
**FIG. 2**



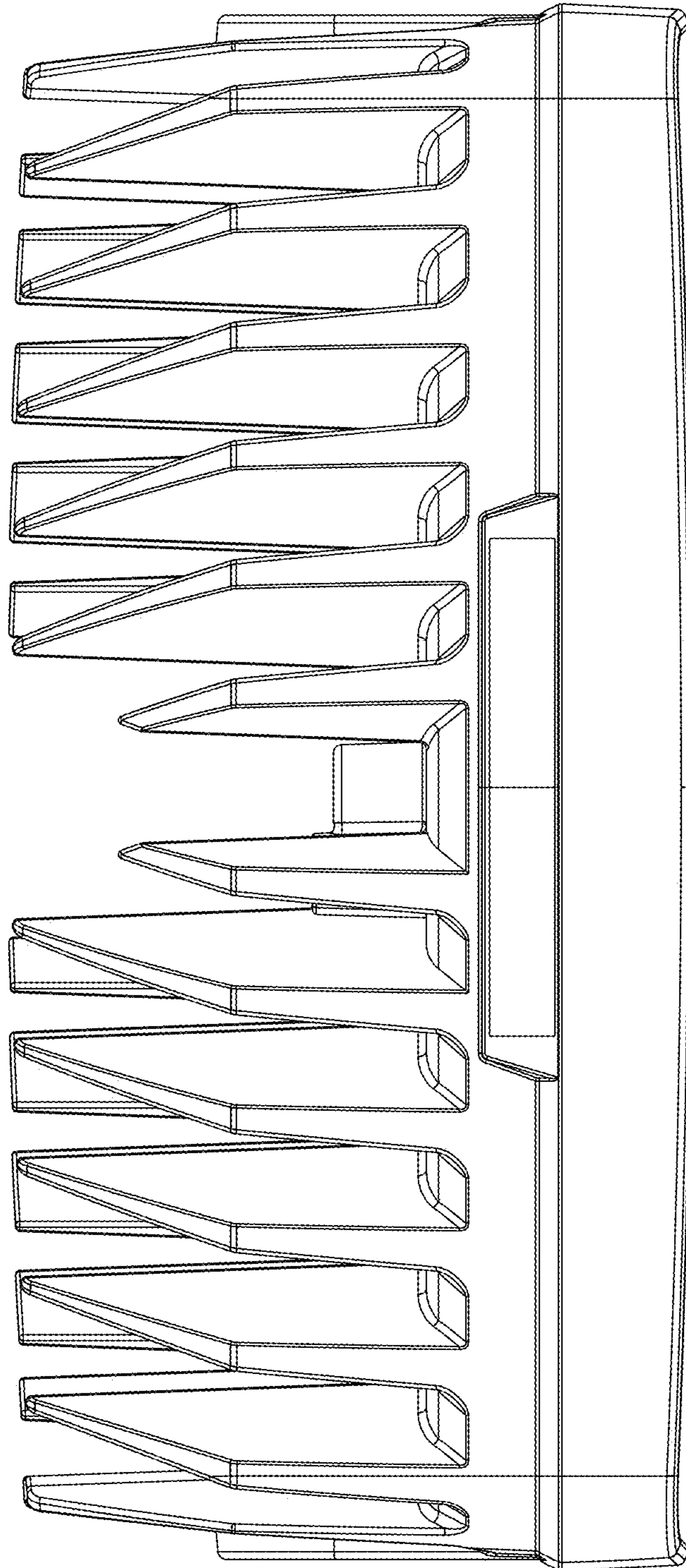
**FIG. 3**



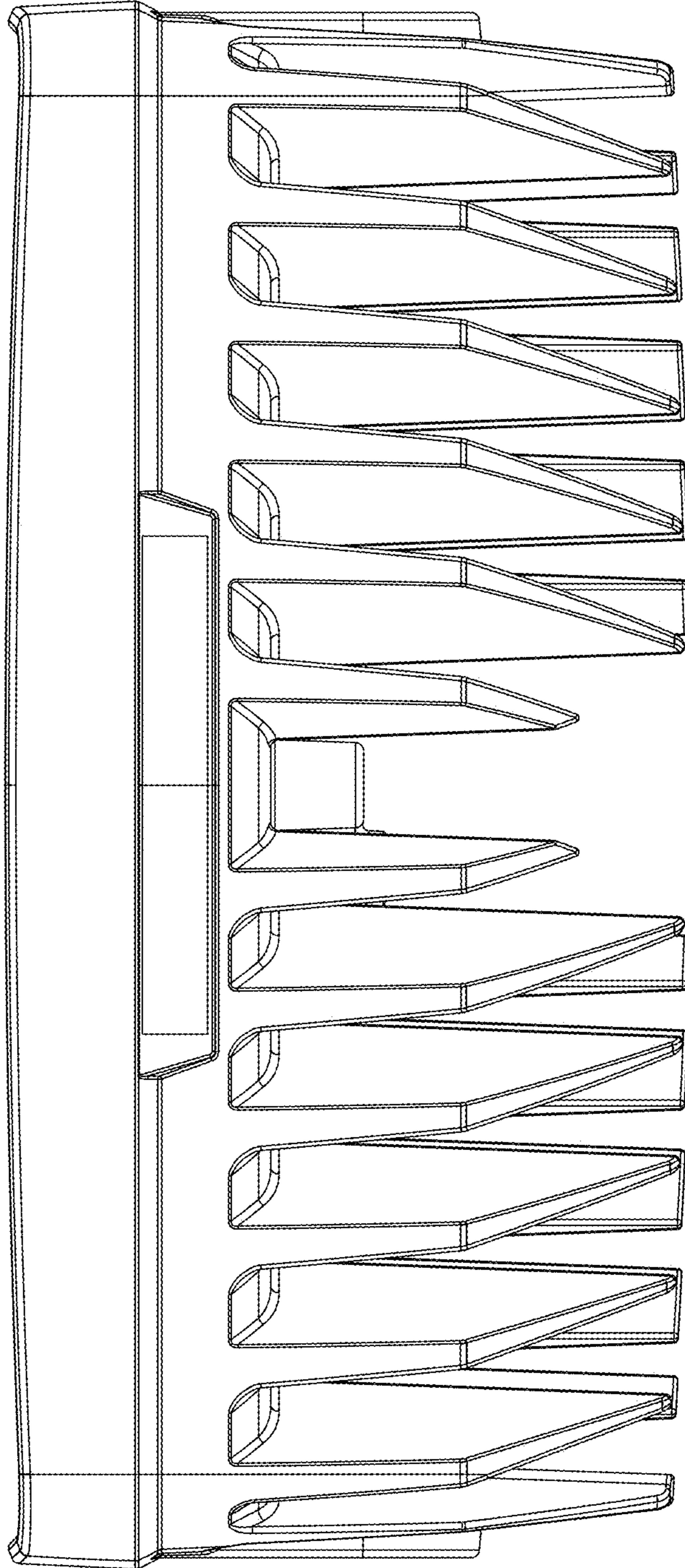
**FIG. 4**



**FIG. 5**

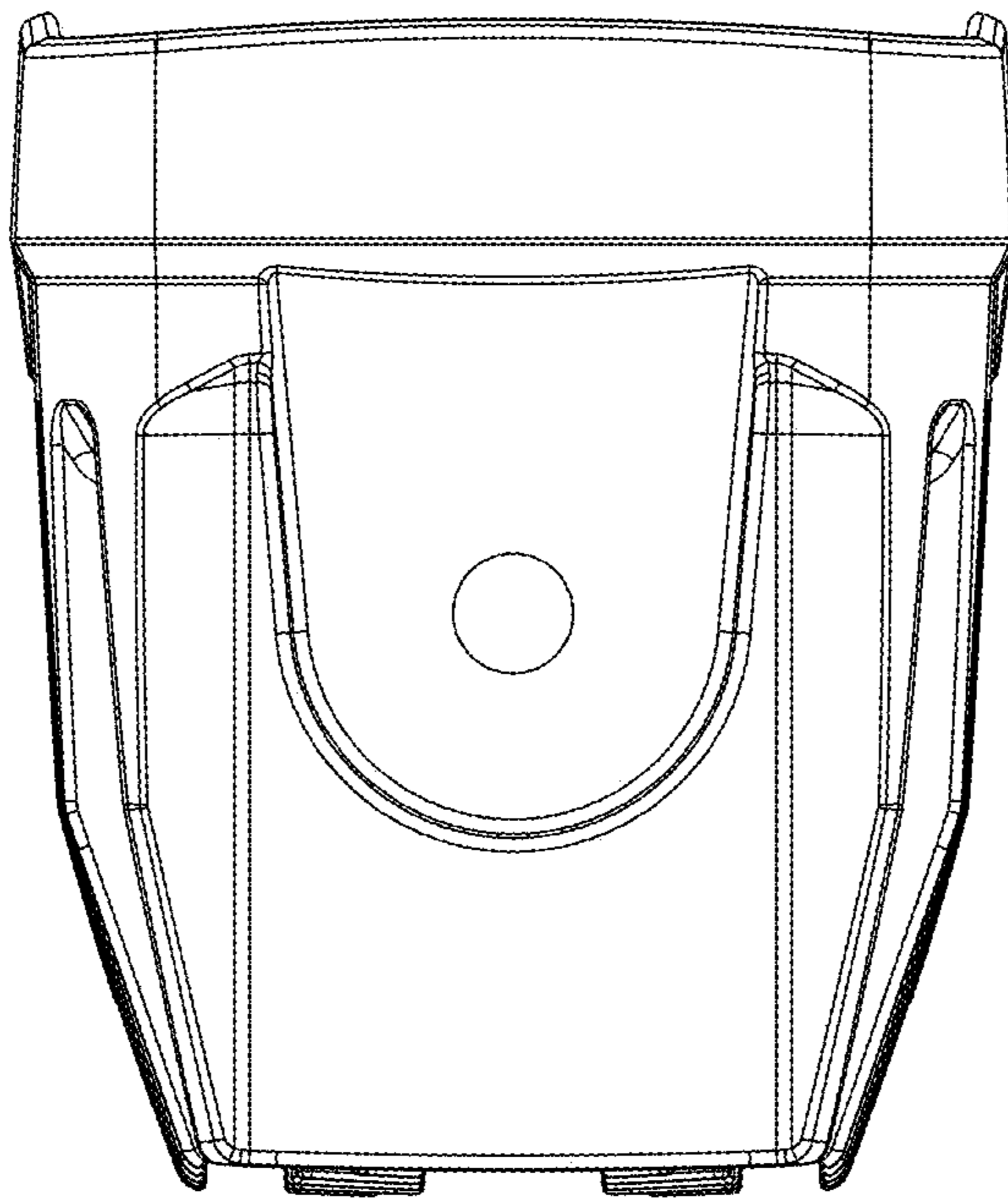


**FIG. 6**



**FIG. 7**





**FIG. 8**