



US00D928356S

(12) **United States Design Patent** (10) **Patent No.:** **US D928,356 S**  
**Wang** (45) **Date of Patent:** **\*\* Aug. 17, 2021**

(54) **LED MODULE**  
(71) Applicant: **Bestco Lighting Co., Ltd., Zhongshan (CN)**  
(72) Inventor: **Zhicheng Wang, Yunfu (CN)**  
(73) Assignee: **Bestco Lighting Co., Ltd., Zhongshan (CN)**  
(\*\*) Term: **15 Years**  
(21) Appl. No.: **29/703,193**  
(22) Filed: **Aug. 26, 2019**

7,988,336 B1 \* 8/2011 Harbers ..... F21K 9/20  
362/294  
D645,580 S \* 9/2011 Yoshinobu ..... D26/2  
D646,406 S \* 10/2011 Tsai ..... D26/2  
D647,226 S \* 10/2011 Huang ..... D26/2  
8,342,716 B2 \* 1/2013 Lin ..... F21V 31/005  
362/294  
D680,247 S \* 4/2013 Lee ..... D26/2  
D707,876 S \* 6/2014 Reed ..... D26/118  
D741,507 S \* 10/2015 Mishin ..... D26/2  
9,506,641 B2 \* 11/2016 Liu ..... F21V 17/002  
D791,369 S \* 7/2017 Zhang ..... D26/2  
D791,370 S \* 7/2017 Zhang ..... D26/2  
D803,427 S \* 11/2017 Germain ..... D26/2  
D825,085 S \* 8/2018 Jian ..... D26/28  
D838,007 S \* 1/2019 Chen ..... D26/1

(Continued)

(30) **Foreign Application Priority Data**

Aug. 9, 2019 (CN) ..... 201930432699.2

(51) **LOC (13) Cl.** ..... **26-06**

(52) **U.S. Cl.**  
USPC ..... **D26/28; D26/2**

(58) **Field of Classification Search**  
USPC ..... D26/1, 2, 3, 14, 25, 28, 60, 72, 74, 120,  
D26/123, 124, 134, 135, 136, 137  
CPC ..... F21V 29/00; F21V 29/74; F21V 29/76;  
F21V 29/763; F21V 7/00; F21V 7/04;  
F21Y 2115/00; F21Y 2115/15; F21S  
8/02; F21S 43/14; F21S 43/145; F21W  
2131/10; H01L 2924/12041  
See application file for complete search history.

(56) **References Cited**

**U.S. PATENT DOCUMENTS**

D602,180 S \* 10/2009 Foo ..... D26/2  
D608,492 S \* 1/2010 Zaderej ..... D26/123  
D608,493 S \* 1/2010 Zaderej ..... D26/123  
D642,289 S \* 7/2011 Kleene ..... D26/1  
D642,703 S \* 8/2011 Li ..... D26/2  
D644,353 S \* 8/2011 Layevsky ..... D26/2  
D644,354 S \* 8/2011 Layevsky ..... D26/2

*Primary Examiner* — Wan Laymon  
*Assistant Examiner* — Clint A Samuel  
(74) *Attorney, Agent, or Firm* — ScienBiziP, P.C.

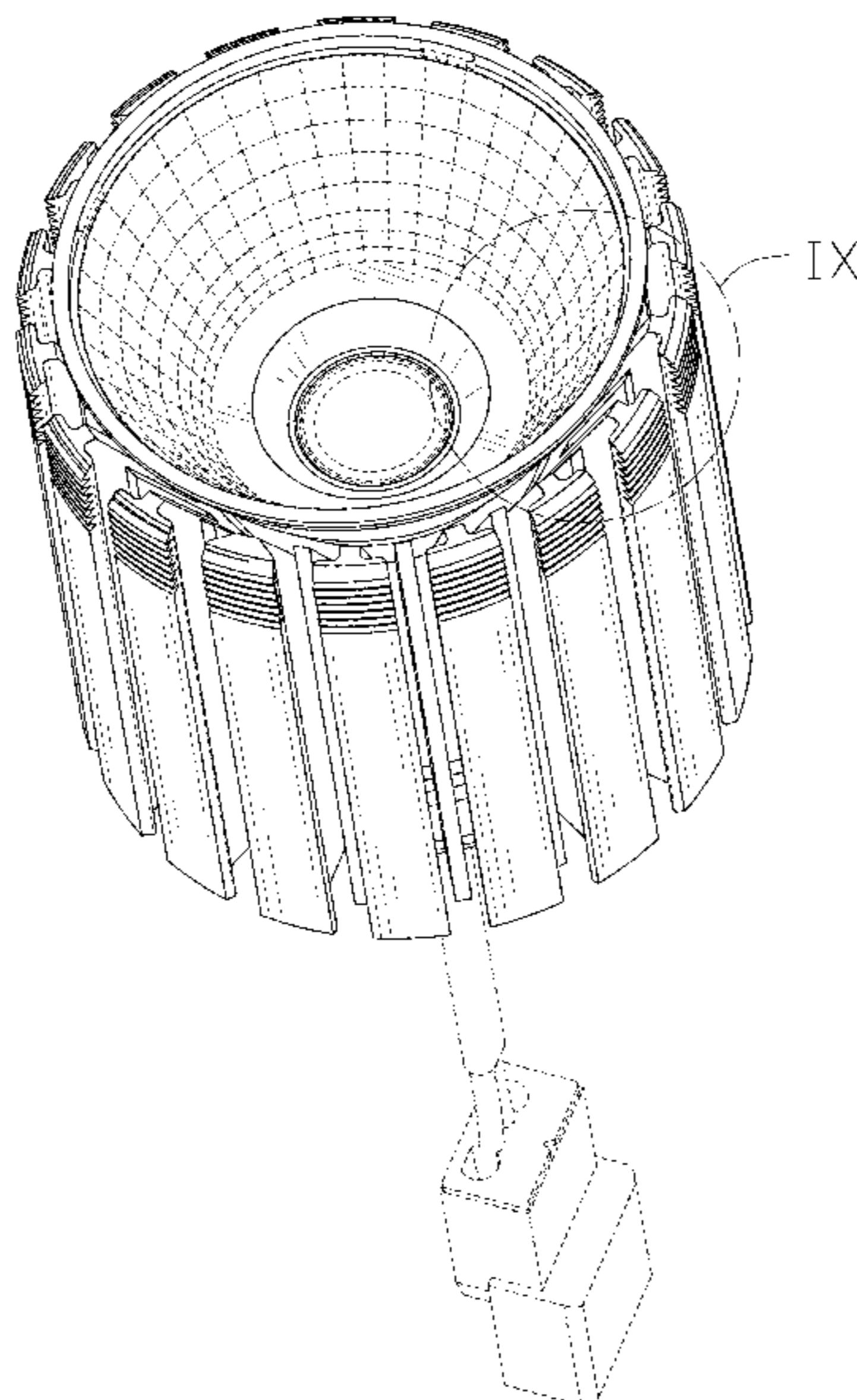
(57) **CLAIM**

The ornamental design for a LED module, as shown and described.

**DESCRIPTION**

FIG. 1 is a perspective view of a LED module, showing my new design;  
FIG. 2 is another perspective view thereof;  
FIG. 3 is a front view thereof;  
FIG. 4 is a rear view thereof;  
FIG. 5 is a left side view thereof;  
FIG. 6 is a right side view thereof;  
FIG. 7 is a top plan view thereof;  
FIG. 8 is a bottom plan view thereof; and,  
FIG. 9 is an enlarged view of a circled portion IX thereof. The broken lines shown are included for the purpose of illustrating portions of the LED module which form no part of the claimed design.

**1 Claim, 9 Drawing Sheets**



(56)

## References Cited

## U.S. PATENT DOCUMENTS

D840,586 S \* 2/2019 Scarlata ..... D26/138  
D851,292 S \* 6/2019 Pan ..... D26/2  
10,309,623 B2 \* 6/2019 Nanni ..... F21V 19/0055  
D861,936 S \* 10/2019 Li ..... D26/28  
D862,743 S \* 10/2019 Kang ..... D26/2  
D862,789 S \* 10/2019 Treible, Jr. .... D26/138  
D869,031 S \* 12/2019 Zhang ..... D26/28  
D889,000 S \* 6/2020 Zheng ..... D26/28  
D890,370 S \* 7/2020 Pan ..... D26/28  
D894,449 S \* 8/2020 Wang ..... D26/28  
D899,639 S \* 10/2020 Li ..... D26/28  
D899,640 S \* 10/2020 Li ..... D26/28  
D908,272 S \* 1/2021 Tan ..... D26/120  
D910,211 S \* 2/2021 Singh ..... D26/2  
D910,212 S \* 2/2021 Singh ..... D26/2  
D910,213 S \* 2/2021 Singh ..... D26/2  
D910,217 S \* 2/2021 Li ..... D26/28  
D910,887 S \* 2/2021 Singh ..... D26/2  
D910,888 S \* 2/2021 Singh ..... D26/2  
D913,550 S \* 3/2021 Wang ..... D26/28  
2010/0270922 A1 \* 10/2010 Lin ..... F21V 31/005  
315/32  
2011/0019409 A1 \* 1/2011 Wronski ..... F21V 29/74  
362/235  
2015/0124446 A1 \* 5/2015 Min ..... F21V 7/24  
362/235  
2019/0128496 A1 \* 5/2019 Shi ..... F21S 45/47  
2020/0240613 A1 \* 7/2020 Merriam ..... F21V 5/02

\* cited by examiner

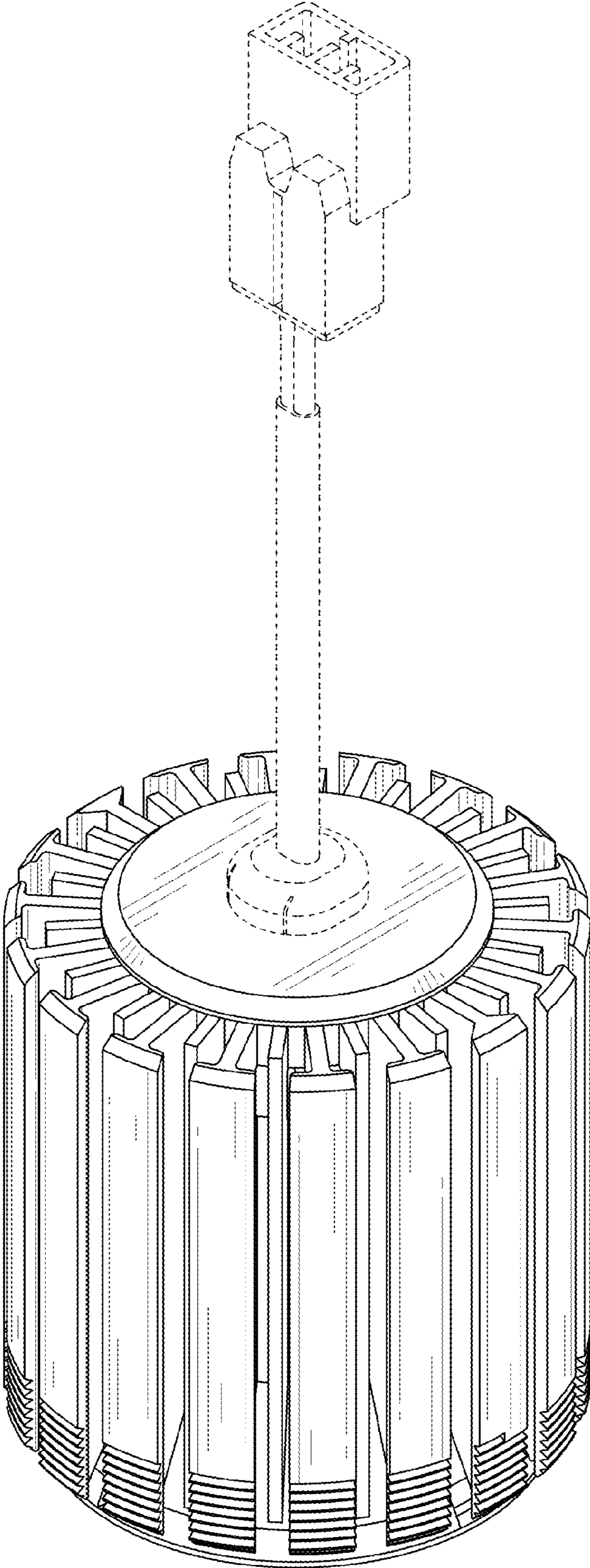


FIG. 1

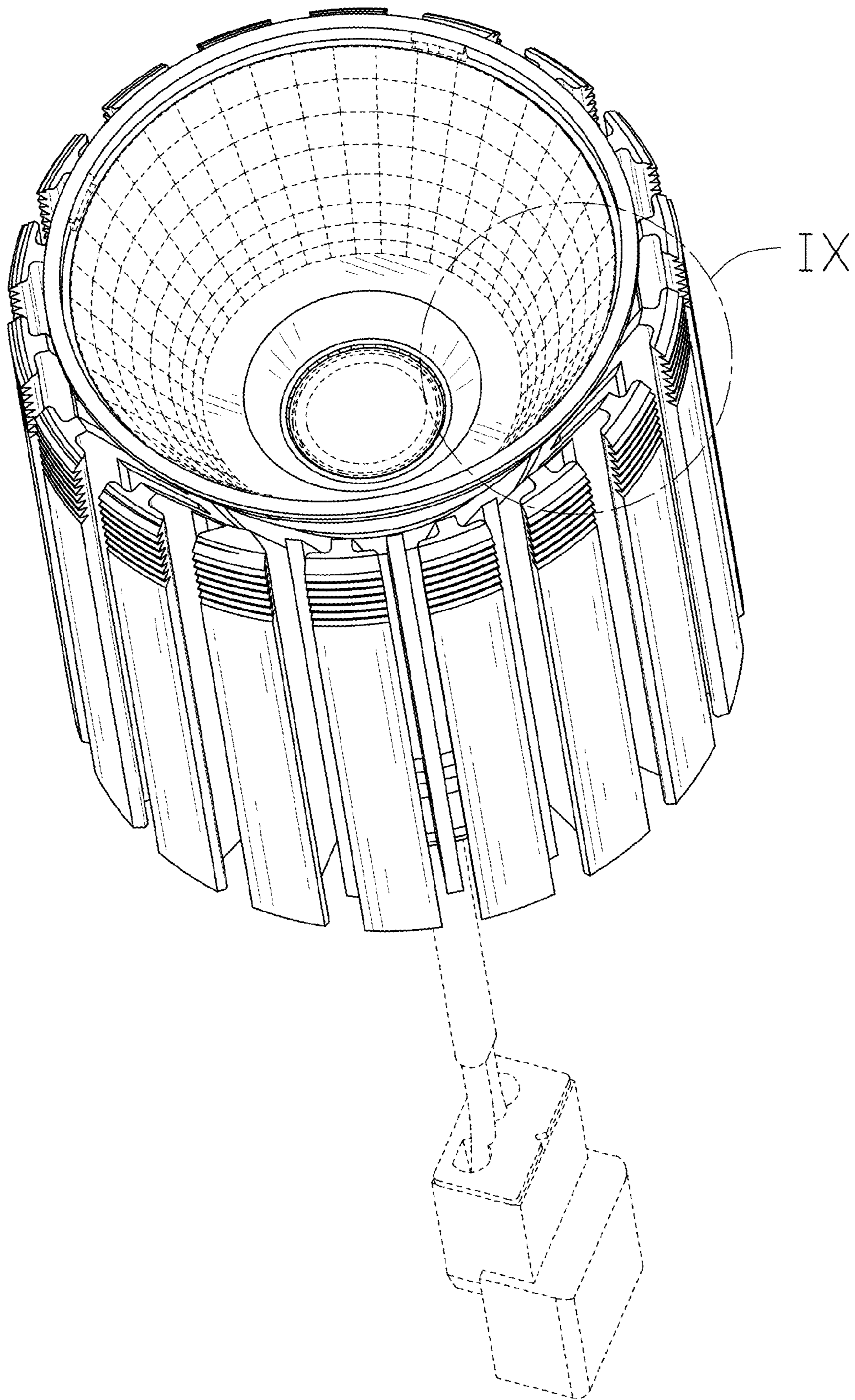


FIG. 2

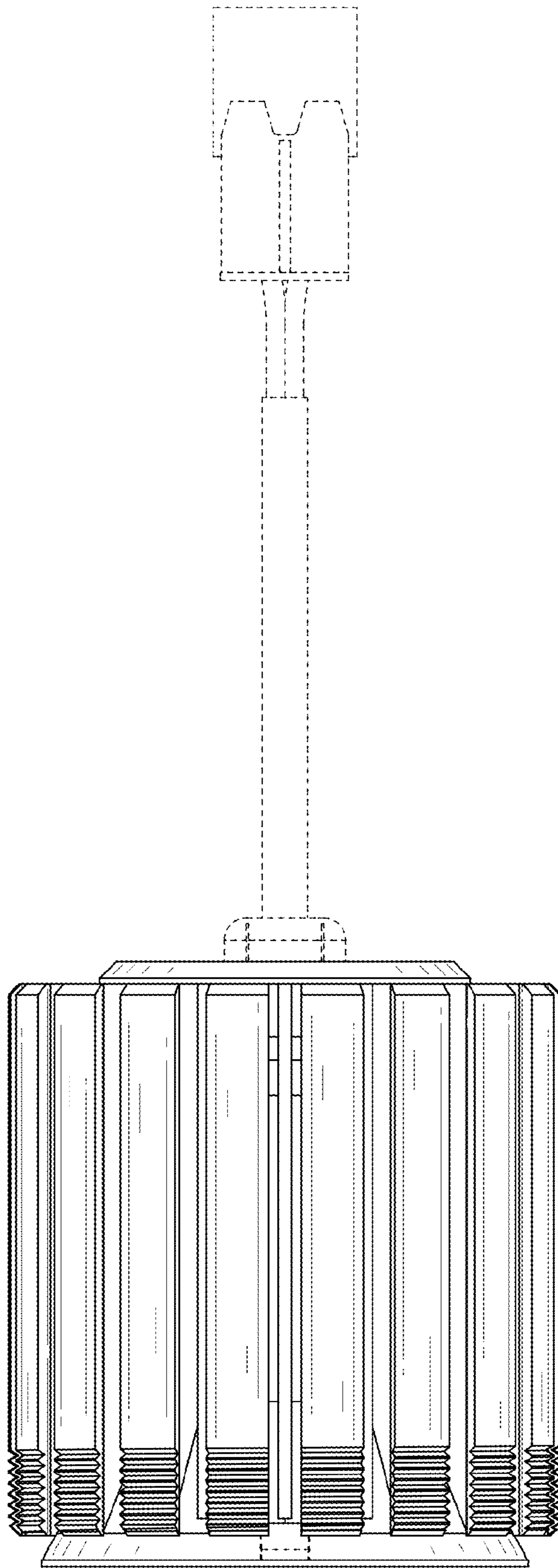


FIG. 3

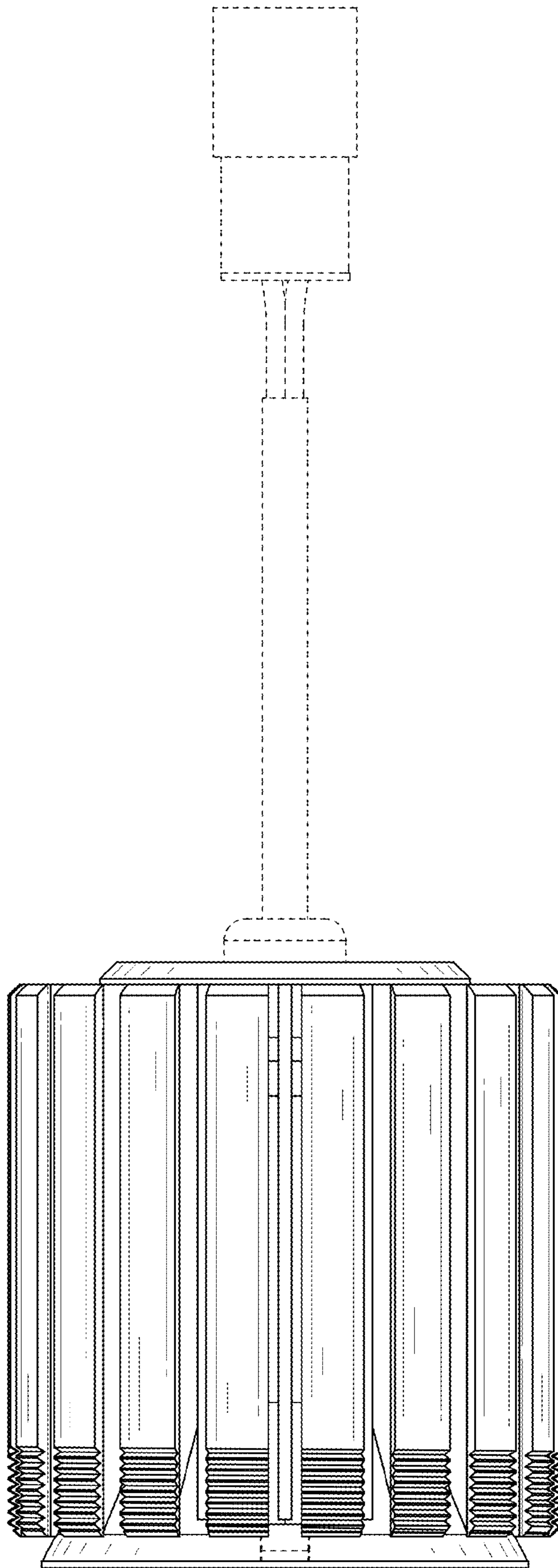


FIG. 4

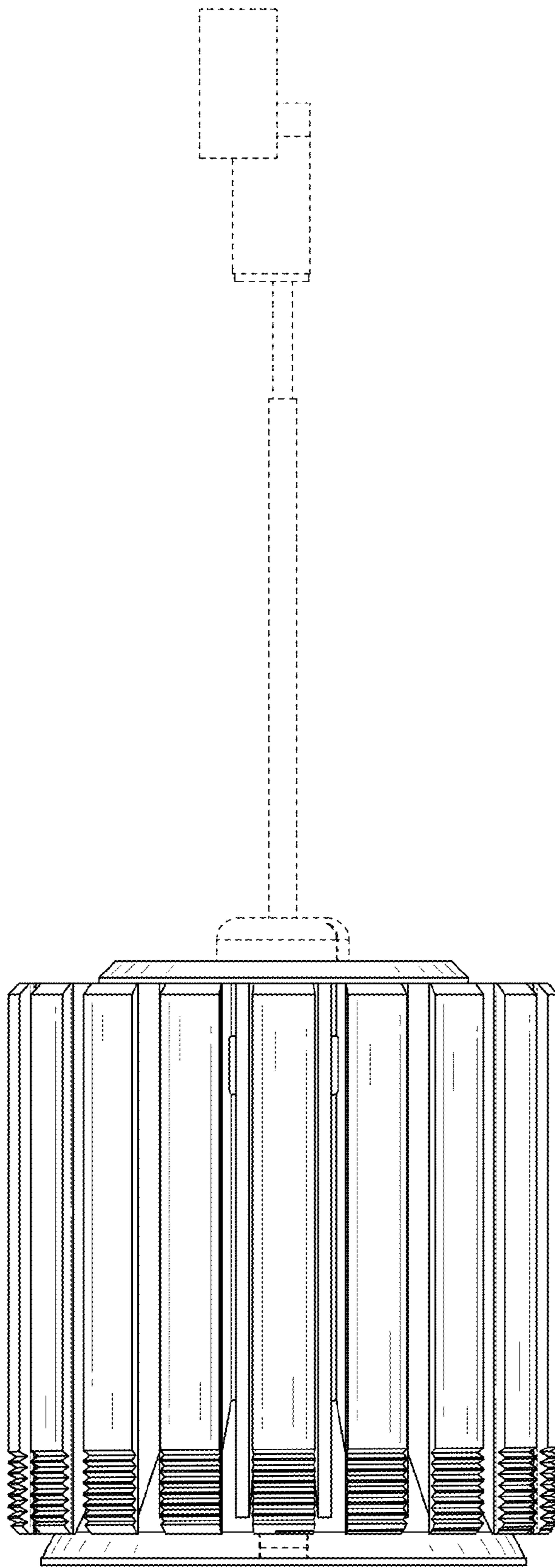


FIG. 5

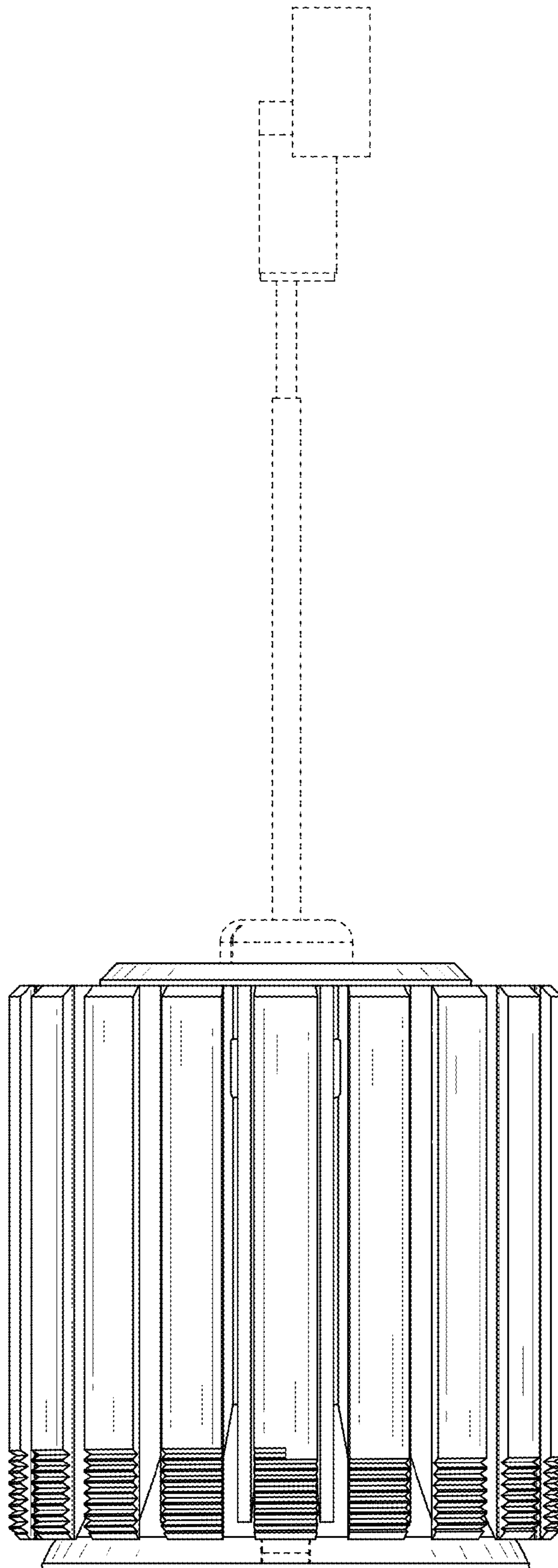


FIG. 6



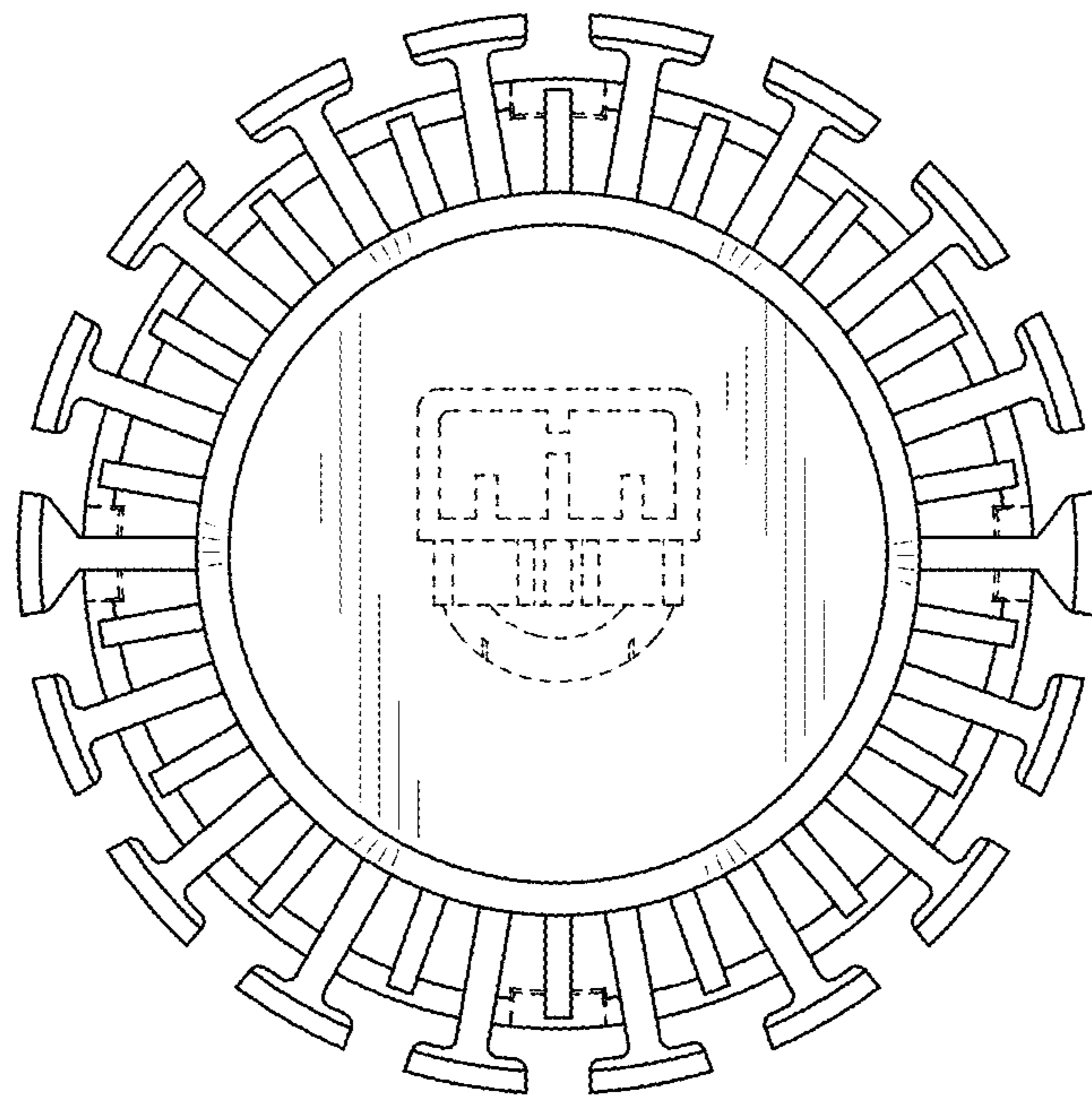


FIG. 7

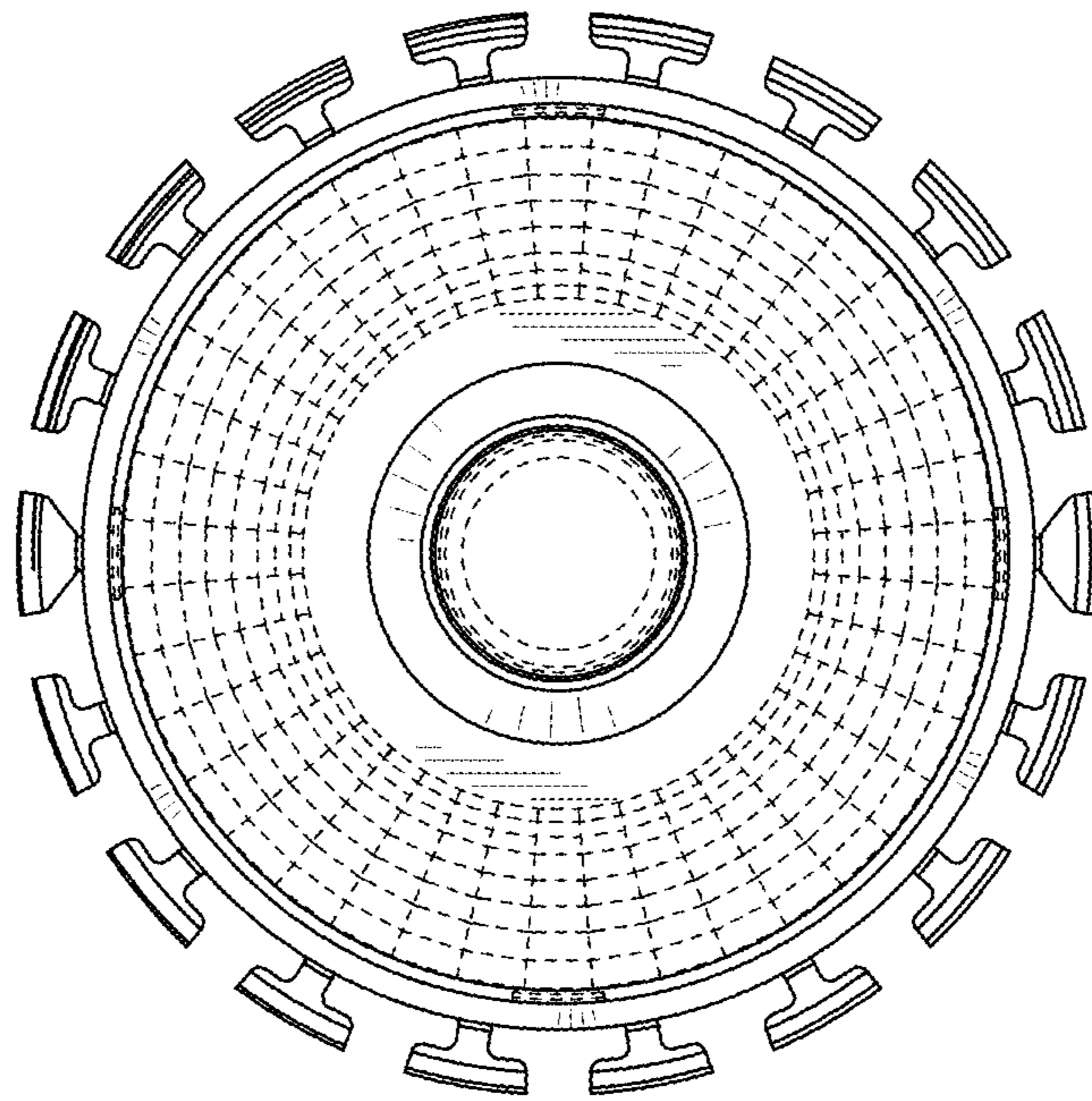


FIG. 8

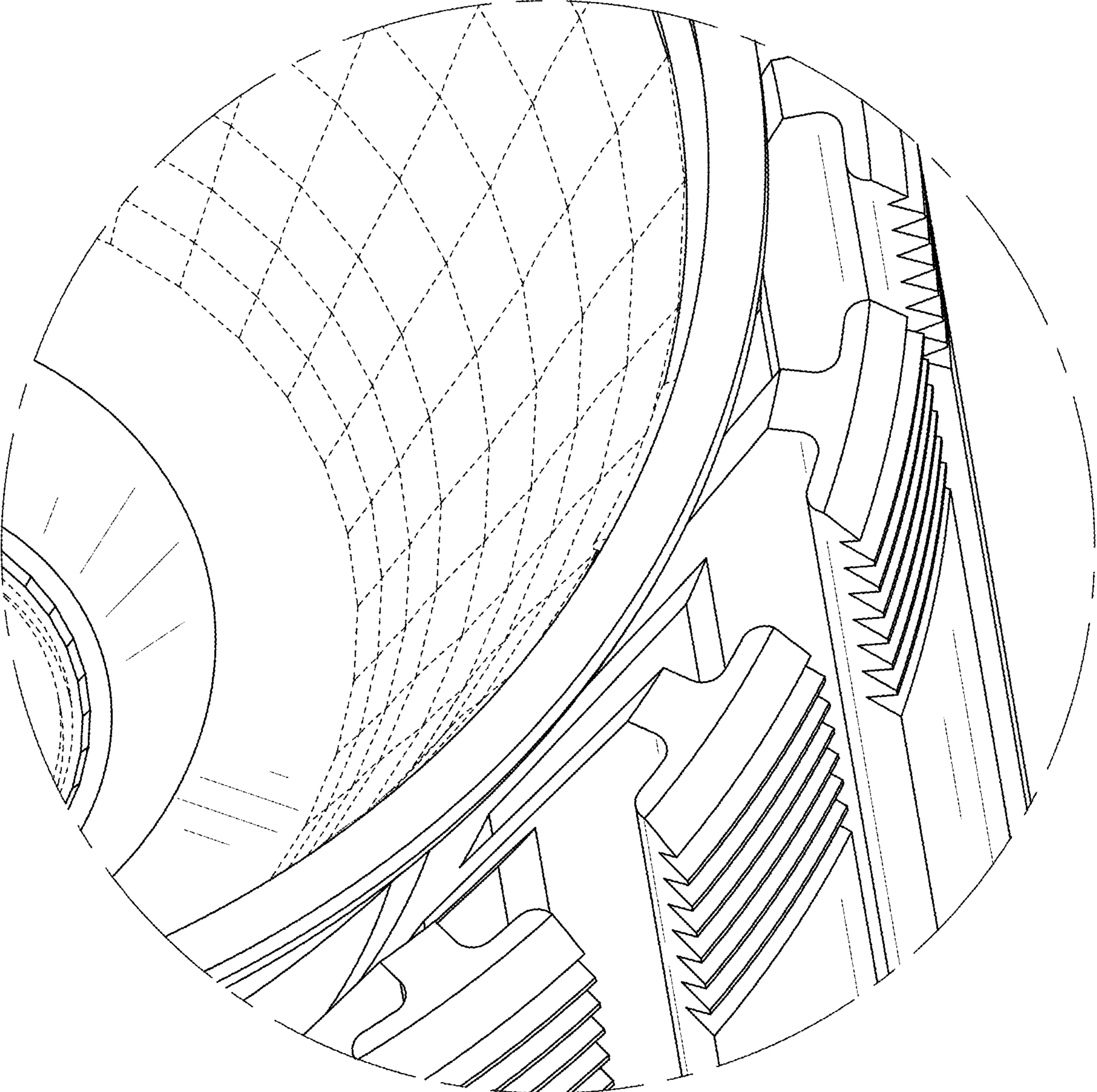


FIG. 9