



US00D928353S

(12) **United States Design Patent**
Huenink et al.

(10) **Patent No.:** **US D928,353 S**

(45) **Date of Patent:** **** Aug. 17, 2021**

(54) **SET OF HALOGEN HEADLIGHTS**

(71) Applicant: **DEERE & COMPANY**, Moline, IL
(US)

(72) Inventors: **Brian Huenink**, Cedar Grove, WI
(US); **Felix Nagelin**, Malibu, CA (US)

(73) Assignee: **DEERE & COMPANY**, Moline, IL
(US)

(**) Term: **15 Years**

(21) Appl. No.: **29/672,718**

(22) Filed: **Dec. 7, 2018**

(30) **Foreign Application Priority Data**

Sep. 28, 2018 (EM) 005665130
Sep. 28, 2018 (EM) 005665643

(51) **LOC (13) Cl.** **26-06**

(52) **U.S. Cl.**
USPC **D26/28**

(58) **Field of Classification Search**
USPC D26/28-36, 139
CPC F21S 48/00; F21S 48/10; F21S 48/115;
F21S 48/225; F21S 48/1233; F21S
48/1266; F21S 48/1388; F21S 48/2268;
F21V 21/04; F21V 29/004; B60Q 9/13;
B60Q 9/135; B60Q 9/1375
See application file for complete search history.

(56) **References Cited**

U.S. PATENT DOCUMENTS

D283,135 S 3/1986 Funabashi et al.
D304,589 S 11/1989 Lanphere et al.
D311,543 S 10/1990 Hardzinski et al.
D419,164 S 1/2000 Heiler et al.
D447,153 S 8/2001 Hornung
D448,037 S 9/2001 Westimayer et al.
D476,100 S * 6/2003 Lin D26/28

D483,383 S 12/2003 Crookes et al.
D495,344 S 8/2004 Farlow et al.
D495,345 S 8/2004 Farlow et al.
D512,079 S 11/2005 Farlow et al.
D512,445 S 12/2005 Farlow et al.
D521,532 S 5/2006 Higashikawa
D533,882 S 12/2006 Higashikawa
D553,159 S 10/2007 Higashikawa et al.

(Continued)

FOREIGN PATENT DOCUMENTS

CN 304913471 S 11/2018
KR 300611812 S 9/2011
KR 300789169 S 3/2015

OTHER PUBLICATIONS

AGCO Fendt 900 Brochure, 2012, 28 pages.

(Continued)

Primary Examiner — Marcus A Jackson

(57) **CLAIM**

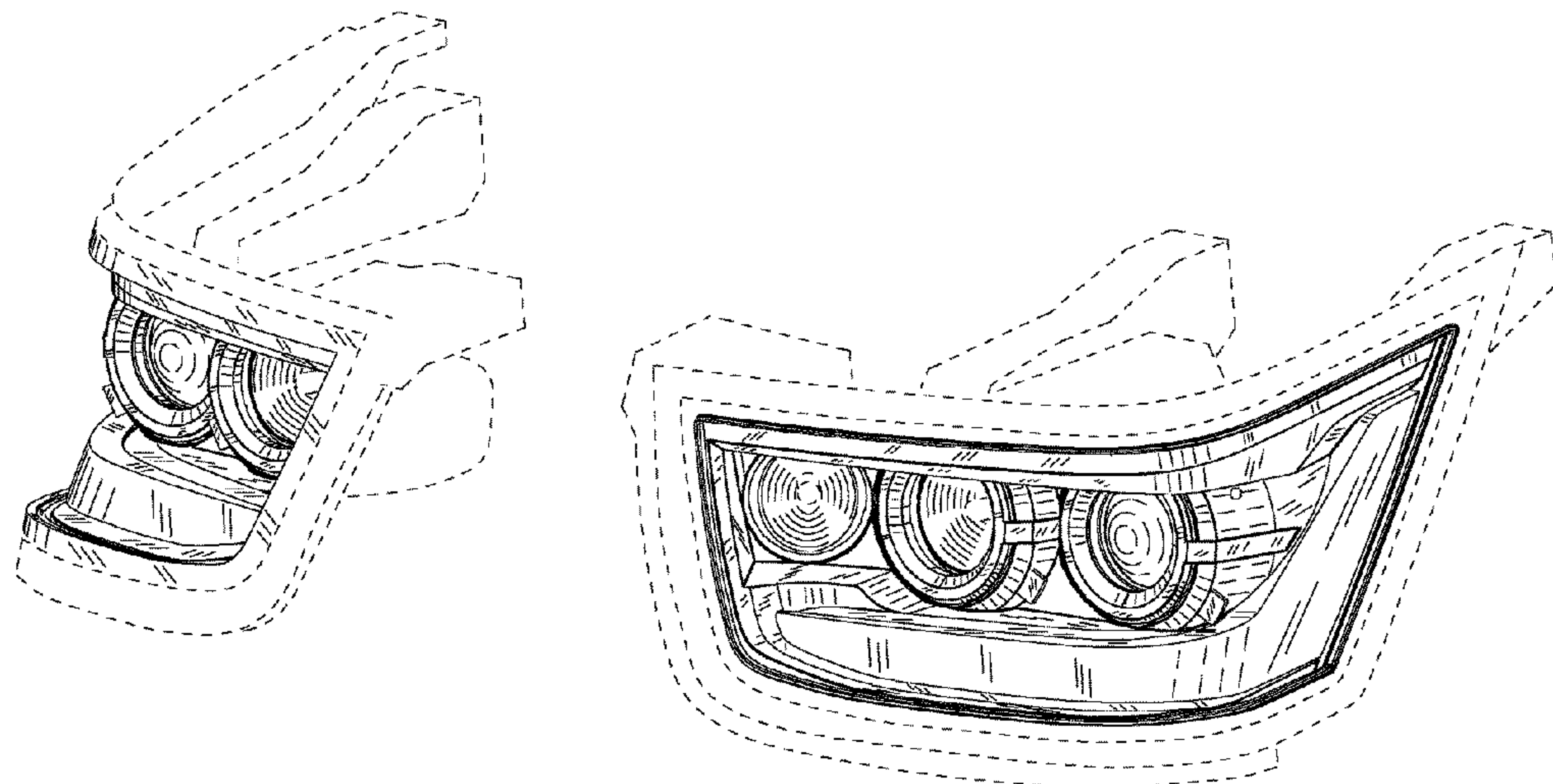
The ornamental design for set of halogen headlights, as shown and described.

DESCRIPTION

FIG. 1 is a top, front, left perspective view of set of halogen headlights embodying our new design; FIG. 2 is a left side elevational view thereof; FIG. 3 is a right side elevational view thereof; FIG. 4 is a front elevational view thereof; FIG. 5 is a rear elevational view thereof; FIG. 6 is a top plan view thereof; and, FIG. 7 is a bottom plan view thereof.

The broken line representations in the figures show unclaimed environment or boundaries, and thus form no part of the claimed design. The brackets shown in the drawings indicate a set of halogen headlights and form no part of the claimed design.

1 Claim, 7 Drawing Sheets



(56)

References Cited

U.S. PATENT DOCUMENTS

- D553,161 S 10/2007 Matsumoto
D553,268 S * 10/2007 Pfeiffer D26/28
D556,789 S 12/2007 Kitayama et al.
D557,714 S 12/2007 Higashikawa
D558,797 S 1/2008 Yamamoto et al.
D558,799 S 1/2008 Higashikawa
D565,211 S * 3/2008 Haller D26/28
D570,015 S * 5/2008 Hsu D26/28
D570,382 S 6/2008 Higashikawa
D574,022 S 7/2008 Higashikawa
D581,955 S 12/2008 Matsumoto et al.
D591,437 S * 4/2009 Saridakis D26/28
D591,777 S 5/2009 Kokitkar et al.
D593,233 S 5/2009 Bai et al.
D596,205 S 7/2009 Kawashiri et al.
D601,730 S * 10/2009 Richards D26/28
D602,047 S 10/2009 Kushita et al.
D602,507 S 10/2009 Kushita
D602,616 S * 10/2009 Okamura D26/28
D605,668 S 12/2009 Matsumoto et al.
D611,963 S 3/2010 Kuwae et al.
D613,313 S 4/2010 Bhanuprakash
D620,157 S * 7/2010 Frenzel D26/28
D631,489 S 1/2011 Booth et al.
D632,312 S 2/2011 Booth et al.
D641,027 S 7/2011 Kawashiri et al.
D642,597 S 8/2011 Krogh et al.
D643,444 S 8/2011 Colvin et al.
D646,305 S 10/2011 Krogh et al.
D655,317 S 3/2012 Hagele
D655,318 S 3/2012 Hagele
D660,874 S 5/2012 Werner et al.
D663,752 S 7/2012 Hickman et al.
D663,753 S 7/2012 Hickman et al.
D665,428 S 8/2012 Hickman et al.
D665,429 S 8/2012 Hickman et al.
D668,695 S 10/2012 Ringer
D673,489 S 1/2013 Hanson et al.
D674,938 S 1/2013 Lai
D675,233 S 1/2013 Kushita et al.
D676,466 S 2/2013 Ewringmann et al.
D676,786 S 2/2013 Werner et al.
D682,323 S 5/2013 Ryan et al.
D697,536 S 1/2014 Nuebel
D703,699 S 4/2014 Shimomura et al.
D704,749 S 5/2014 Shimomura et al.
D704,750 S 5/2014 Shimomura et al.
D706,841 S 6/2014 Shimomura et al.
D707,729 S 6/2014 Jackson et al.
D707,730 S 6/2014 Jackson et al.
D711,930 S 8/2014 Kuwae et al.
D713,075 S * 9/2014 Lee D26/28
D714,838 S 10/2014 Shimomura et al.
D715,332 S 10/2014 Kuwae
D716,846 S 11/2014 Carter et al.
D717,838 S 11/2014 Kuwae et al.
D720,371 S 12/2014 Furukawa et al.
D720,871 S 1/2015 Lim et al.
D721,105 S 1/2015 Okuyama et al.
D721,994 S 2/2015 Graber et al.
D722,187 S * 2/2015 Gerardo D26/28
D729,281 S 5/2015 Carter et al.
D729,282 S 5/2015 Sasaki
D733,767 S 7/2015 Kushita et al.
D733,945 S * 7/2015 Kennemer D26/28
D740,976 S 10/2015 Ko et al.
D743,065 S 11/2015 Weil
D745,717 S * 12/2015 Wu D26/28
D748,677 S 2/2016 Kushita et al.
D753,194 S 4/2016 Jackson et al.
D753,195 S 4/2016 Jackson et al.
D754,210 S 4/2016 Margutti et al.
D755,256 S 5/2016 Okuyama et al.
D756,003 S 5/2016 Kong et al.
D756,421 S 5/2016 Okuyama et al.
D757,826 S 5/2016 Hartz et al.
D759,129 S 6/2016 Kushita et al.
D760,410 S 6/2016 Arroba
D760,815 S 7/2016 Okuyama et al.
D765,740 S 9/2016 Jackson et al.
D766,340 S 9/2016 Jackson et al.
D766,341 S 9/2016 Jacobsthal et al.
D768,210 S 10/2016 Jacobsthal et al.
D777,215 S 1/2017 Moritaka et al.
D777,219 S 1/2017 Hanke et al.
D777,220 S 1/2017 Powell
D777,957 S 1/2017 Ha et al.
D778,963 S 2/2017 Yang et al.
D783,059 S 4/2017 Okuyama et al.
D785,050 S 4/2017 Okuyama et al.
D785,051 S 4/2017 Okuyama et al.
D785,053 S 4/2017 Okuyama et al.
D785,681 S 5/2017 Okuyama et al.
D787,721 S 5/2017 Lai
D789,427 S 6/2017 Jackson et al.
D792,483 S 7/2017 Jackson et al.
D797,332 S 9/2017 Lin
D799,728 S * 10/2017 Whitla D26/28
D803,435 S 11/2017 Cotner et al.
D804,539 S 12/2017 Okuyama et al.
D809,682 S 2/2018 Lin
D822,241 S 7/2018 Lee et al.
D824,058 S 7/2018 Hong et al.
D837,837 S 1/2019 Park
D843,421 S 3/2019 Gonzales et al.
D843,621 S * 3/2019 Yang D26/28
D851,794 S * 6/2019 Lin D26/28
D854,056 S 7/2019 Futagami et al.
D866,824 S * 11/2019 Lin D26/28
D874,033 S * 1/2020 Cheng D26/28
D883,535 S * 5/2020 He D26/28
D887,041 S * 6/2020 Lin D26/28
D890,382 S * 7/2020 Wu D26/28
D892,369 S * 8/2020 Lin D26/28
D893,066 S * 8/2020 Lin D26/28

OTHER PUBLICATIONS

- Deutz-Fahr (7250 TTV Warrior), publicly available before May 2015, 4 pages.
Deutz-Fahr 6 Series, publicly available before May 2015, 32 pages.
AGCO, Fendt 700 series brochure, 2012, 32 pages.
AGCO, Fendt 800 Vario, 2014, 4 pages.
Deere & Co., Deere 8R/RT Series, 2015, 6 pages.
Agritechnica 2017—Gold and Silver, retrieved from <https://www.agritechnica.com/en/innovation-award/gold-and-silver/>, Dec. 5, 2017, 18 pages.
Case Magnum, 180 380, Feb. 2014, 14 pages.
Deutz 5 series brochure, publicly available before May 2015, 13 pages.
Fendt X Concept Tractors, AGCO, retrieved from <http://www.fendt.com/US/2466.asp>, May 18, 2015, 3 pages.
AGCO, Fendt 200Vario, publicly available before May 2015, 17 pages.
Fendt 300Vario, 2015, 12 pages.
Fendt 500Vario, publicly available before May 2015, 1 page.
50 HP Blue Sonalika DI 47 Rx Tractor, retrieved from Internet <<https://www.indiamart.com/proddetail/sonalika-di-47-rx-tractor-19114279955.html>> Jun. 26, 2019, 5 pages.
Big 4, available at least as early as May 2015, 1 page.
CASE Farmall A Series Tractors Brochure, 2011, 1 pages.
CASE Farmall C Tractors Brochure, 2013, 4 pages.
CASE Farmall U Tractors Brochure 11-13, 2013, 8 pages.
CASE Maxxum Series Tractors Brochure, 2012, 9 pages.
CASE Puma Series Brochure, 2011, 9 pages.
CASE Steiger Tractor Brochure, 2014, 15 pages.
Deutz 308 Series 7, publicly available before May 2015, 13 pages.
Deutz-Fahr, Deutz Agroclimber F-V—Tractors Crawlers, retrieved from internet <<http://www.deutz-fahr.com/en-US/products/tractors/722-agroclimber-f-v>> May 19, 2015, 5 pages.

(56)

References Cited

OTHER PUBLICATIONS

Deutz-Fahr, Deutz Agrolux 310-320-410—Tractors Open field, retrieved from internet <<http://www.deutz-fahr.com/en-US/products/tractors/864-agrolux-310-320-410>> May 19, 2015, 4 pages.

Deutz-Fahr, Deutz Agrolux 65-75—Tractors Open field, retrieved from internet <<http://www.deutz-fahr.com/en-US/products/tractors/835-agrolux-65-75>> May 19, 2015, 2 pages.

International Harvester, available at least as early as May 2015, 1 page.

John Deere Pedal Tractor Decals Tractors, retrieved from internet <<http://todayview.co/ideas/>> Jun. 26, 2019, 3 pages.

Mahindra JIVO 245, retrieved from internet <<https://tractorsinfo.com/mahindra-jivo-245-di-4wd-mini-tractor-price-list/>> Jun. 26, 2019, 9 pages.

Mahindra targets 50% share in domestic tractor market with Trakstar brand, retrieved from internet <<https://www.moneycontrol.com/news/technology/auto/mahindra-targets-50-share-in-domestic-tractor-market-with-trakstar-brand-2645381.html>> Jun. 27, 2019, 6 pages.

Mahindra Tractor JIVO 245 DI, retrieved from internet <<https://www.tractorjunction.com/product/370/mahindra-tractor-jivo-245-di>> Jun. 26, 2019, 5 pages.

Massey Ferguson, available at least as early as May 2015, 1 page.

Solis 75N Traktor Schlepper Kein New Holland, retrieved from internet <<https://www.mascus.com/agriculture/used-tractors/solis-75n-traktor-schlepper-kein-new-h>> Jun. 26, 2019, 3 pages.

Tractor Decals, retrieved from internet <<https://www.indiamart.com/proddetail/tractor-decals-10179545988.html>>, Jun. 29, 2019, 4 pages.

* cited by examiner

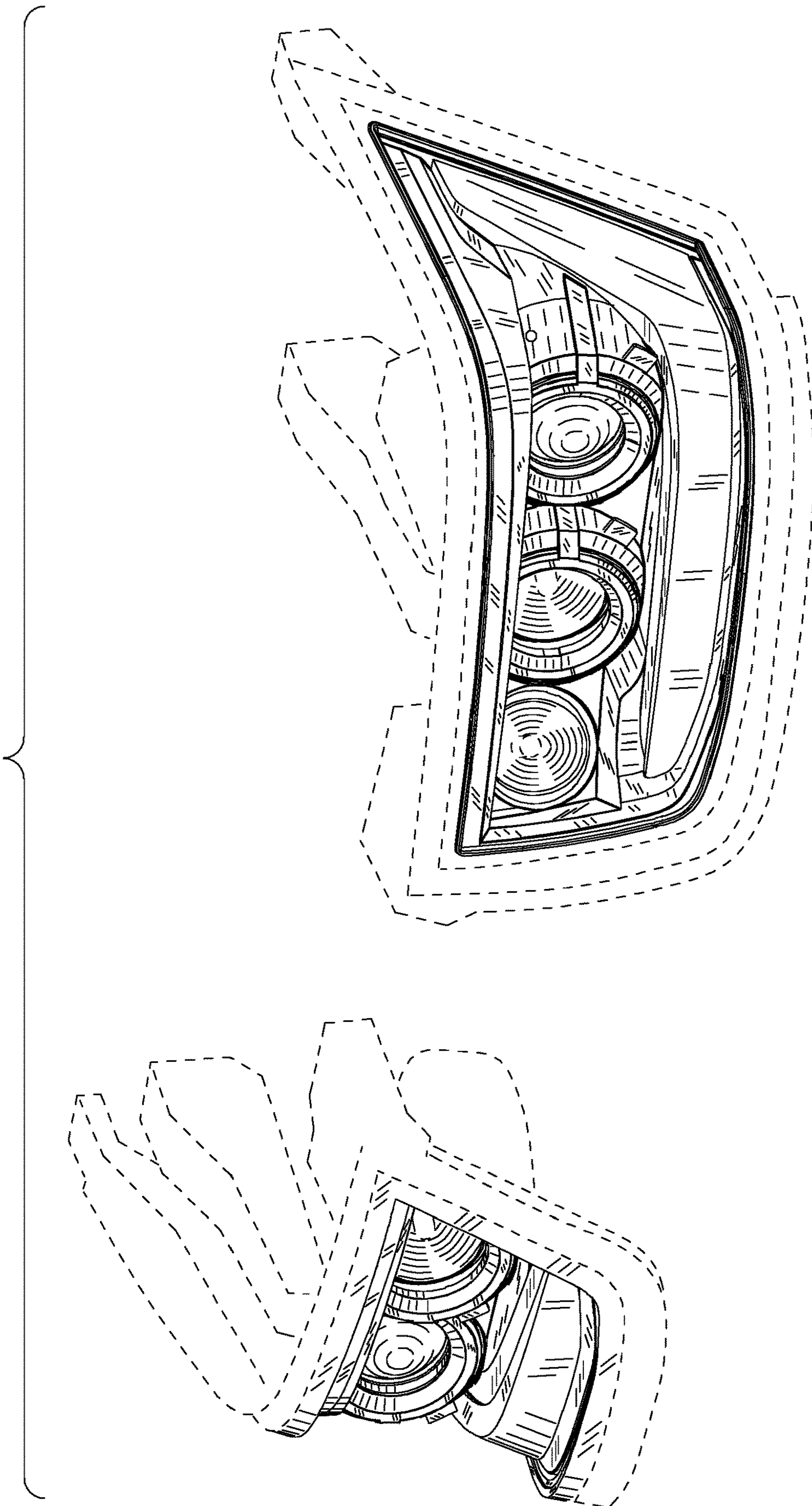


FIG. 1

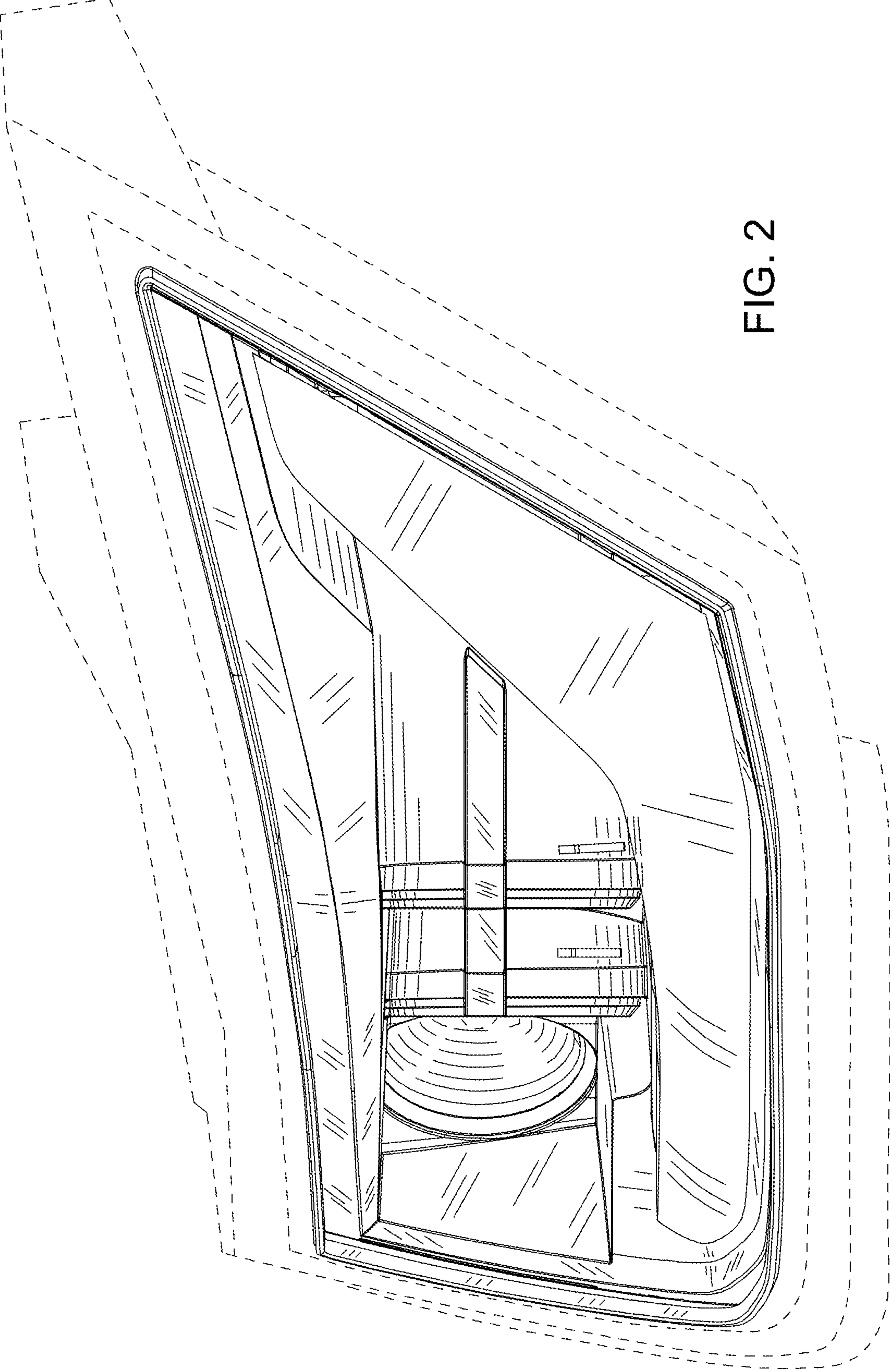


FIG. 2

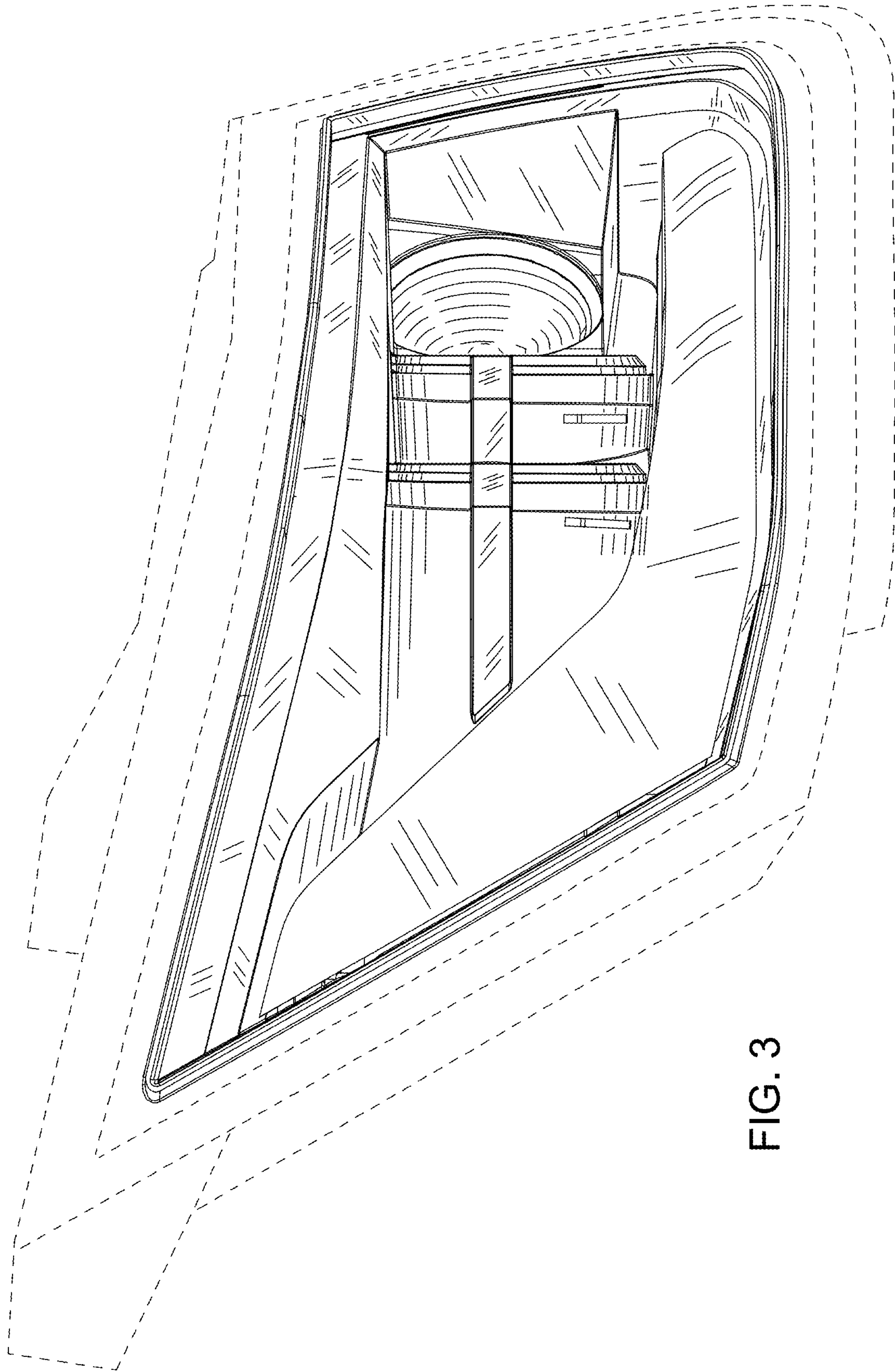


FIG. 3

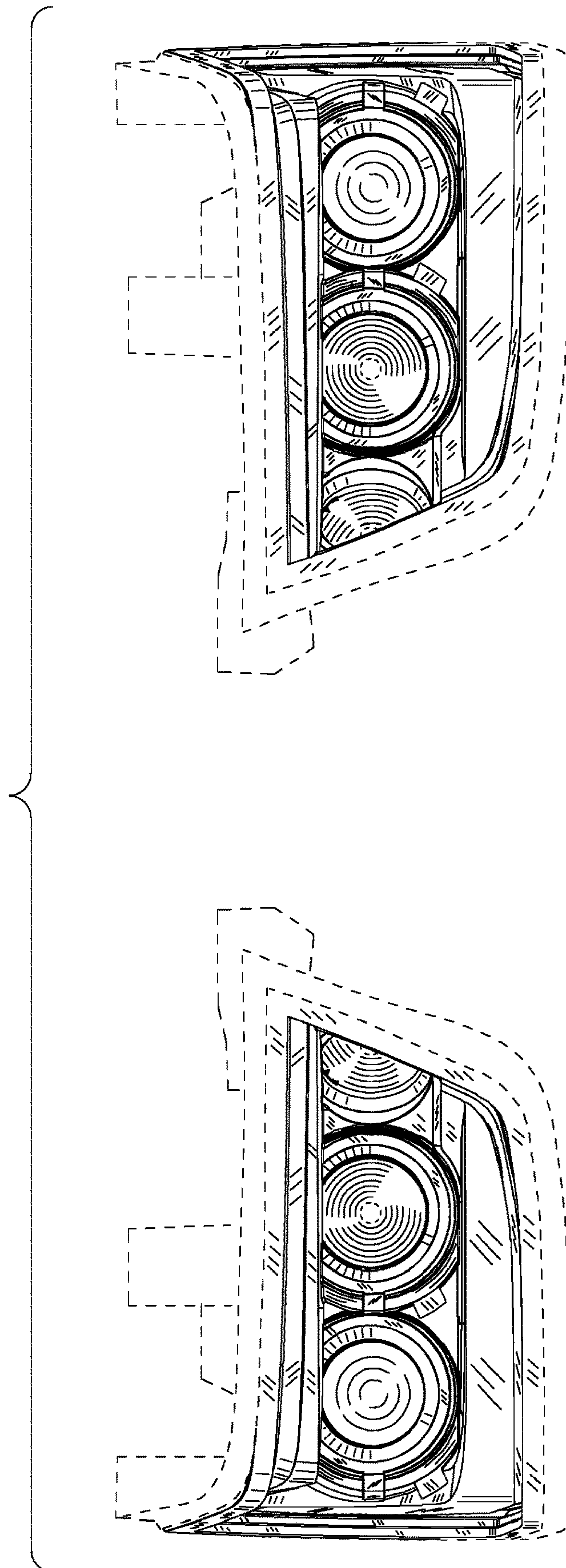


FIG. 4

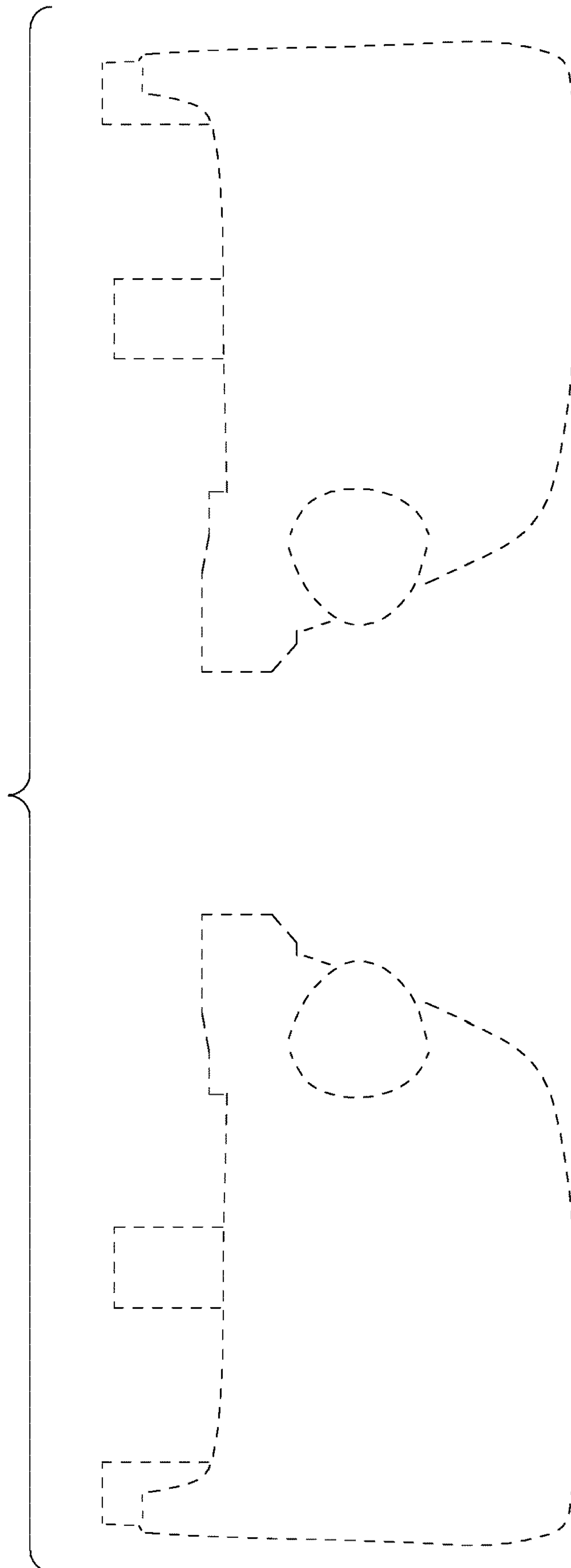


FIG. 5



FIG. 6

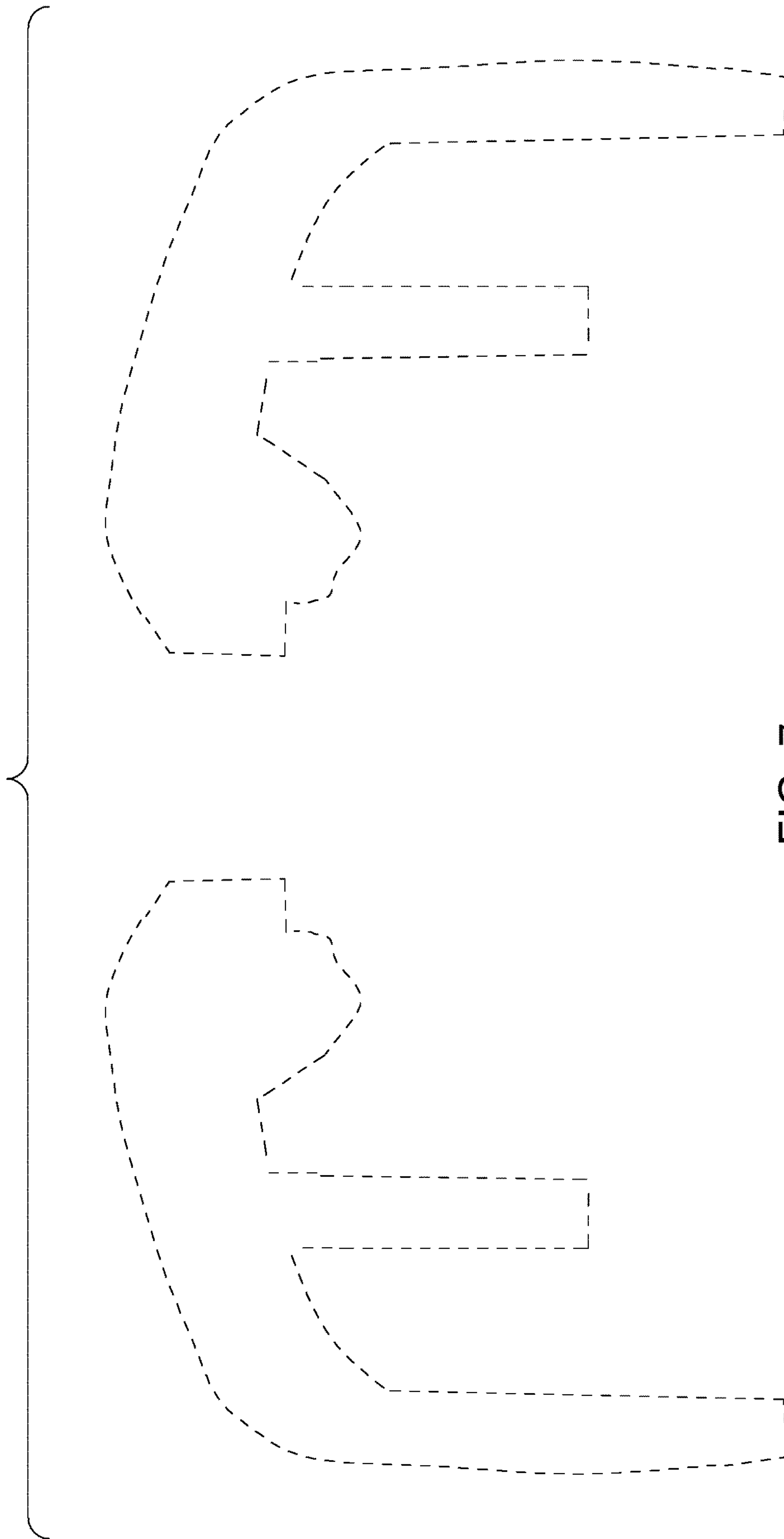


FIG. 7