



US00D928351S

(12) **United States Design Patent**
Baldwin et al.

(10) **Patent No.:** **US D928,351 S**

(45) **Date of Patent:** **** Aug. 17, 2021**

- (54) **PLUG-IN NIGHT LIGHT**
- (71) Applicants: **Jeffrey P. Baldwin**, Anthem, AZ (US);
John E. Klein, Chandler, AZ (US)
- (72) Inventors: **Jeffrey P. Baldwin**, Anthem, AZ (US);
John E. Klein, Chandler, AZ (US)
- (**) Term: **15 Years**
- (21) Appl. No.: **29/711,966**

8,324,500 B2 * 12/2012 Belyea H01R 13/443
174/66
D719,153 S * 12/2014 Lim D14/365
D725,614 S * 3/2015 Kuh D14/125
9,088,081 B2 * 7/2015 Hildebrandt H01R 13/521
D755,607 S * 5/2016 Baber D8/353
D772,442 S * 11/2016 Lange D26/26
9,509,080 B1 * 11/2016 Insalaco H01R 24/30
9,553,437 B1 * 1/2017 Martin H01R 13/4536
D806,282 S * 12/2017 Burke D26/26
D806,915 S * 1/2018 Burke D26/26
D813,212 S * 3/2018 Nangeroni D14/240

(Continued)

- (22) Filed: **Nov. 4, 2019**
- (51) **LOC (13) Cl.** **26-05**
- (52) **U.S. Cl.**
USPC **D26/26**
- (58) **Field of Classification Search**
USPC D26/24, 26, 113, 118–120;
D23/366–367, 369
CPC F21S 8/035; F21V 23/06; F21V 23/04;
F21V 23/0442; F21W 2121/00; H01R
2103/00; H01R 39/64; H01R 33/00
See application file for complete search history.

OTHER PUBLICATIONS

amazon.com: Uigos LED Night Light Lamp with Smart Sensor. Undated online product page. Retrieved on Nov. 25, 2020 from <https://www.amazon.com/Uigos-Night-Light-Sensor-Daylight/dp/B01N47M3V0/ref=sr_1_23?dchild=1&keywords=plug-in+night+light&qid=1606311685&sr=8-23> (Year: 2020).*

Primary Examiner — Holly E Thurman
(74) *Attorney, Agent, or Firm* — Booth Udall Fuller PLC;
Kenneth C. Booth

(56) **References Cited**

U.S. PATENT DOCUMENTS

- D28,471 S * 4/1898 Newton D13/178
- D151,571 S * 10/1948 Tillinghast D13/156
- D359,270 S * 6/1995 Connelly D13/154
- D361,056 S * 8/1995 Barry D13/156
- D376,214 S * 12/1996 Pinchuk D26/26
- D376,436 S * 12/1996 Emmerling D26/26
- D382,251 S * 8/1997 Tsui D13/137.1
- D392,400 S * 3/1998 Emmerling D26/26
- D428,660 S * 7/2000 Yuen D26/26
- D435,124 S * 12/2000 Yuen D26/26
- 6,674,003 B1 * 1/2004 Torres H02G 3/14
174/66
- D633,237 S * 2/2011 Wang D26/26
- D645,045 S * 9/2011 Cacioppo D14/388
- D645,175 S * 9/2011 Stolte D26/26
- 8,093,497 B2 * 1/2012 White H02G 3/14
174/67

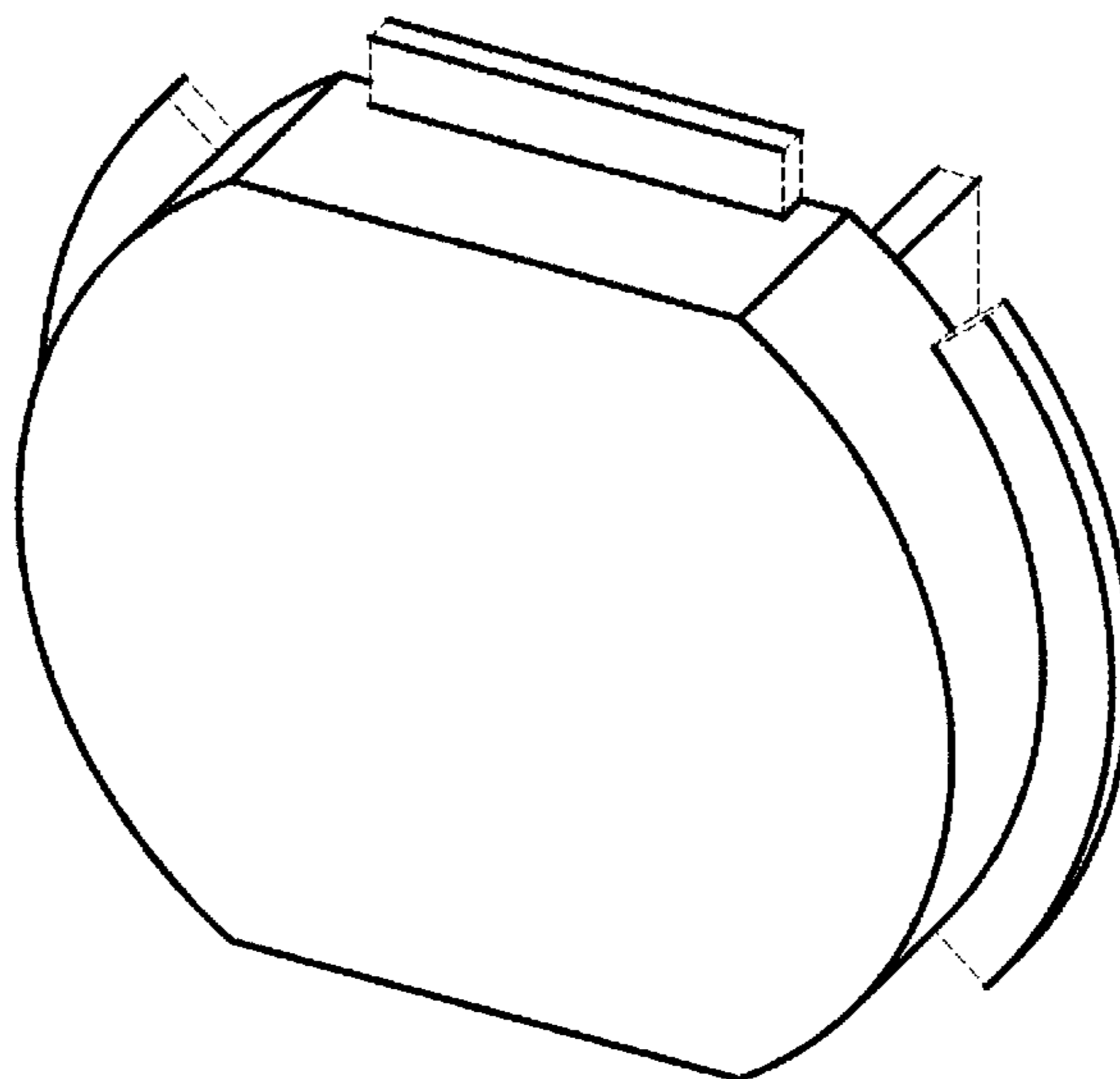
(57) **CLAIM**

We claim the ornamental design for a plug-in night light, as shown and described.

DESCRIPTION

FIG. 1 is a front view for a plug-in night light;
FIG. 2 is a right side view thereof;
FIG. 3 is a left side view thereof;
FIG. 4 is a top view thereof;
FIG. 5 is a bottom view thereof;
FIG. 6 is a back view thereof; and,
FIG. 7 is a front perspective view thereof.
The broken lines in the figures are for illustrative purposes or represent portions of the article which form no part of the claimed design.

1 Claim, 7 Drawing Sheets



(56)

References Cited

U.S. PATENT DOCUMENTS

D835,306 S *	12/2018	Thompson	D26/26
D849,692 S *	5/2019	Marsden	D13/156
D873,448 S *	1/2020	Zhang	D26/26
D876,678 S *	2/2020	Chen	D26/26
D876,679 S *	2/2020	Hou	D26/26
D894,436 S *	8/2020	Wu	D26/26
D897,567 S *	9/2020	Wu	D26/26
2002/0163796 A1 *	11/2002	Dickie	H05B 33/00 362/84
2006/0077684 A1 *	4/2006	Yuen	F21S 8/035 362/555
2008/0013932 A1 *	1/2008	He	A01M 1/2072 392/390
2009/0008123 A1 *	1/2009	White	H01R 13/447 174/67

* cited by examiner

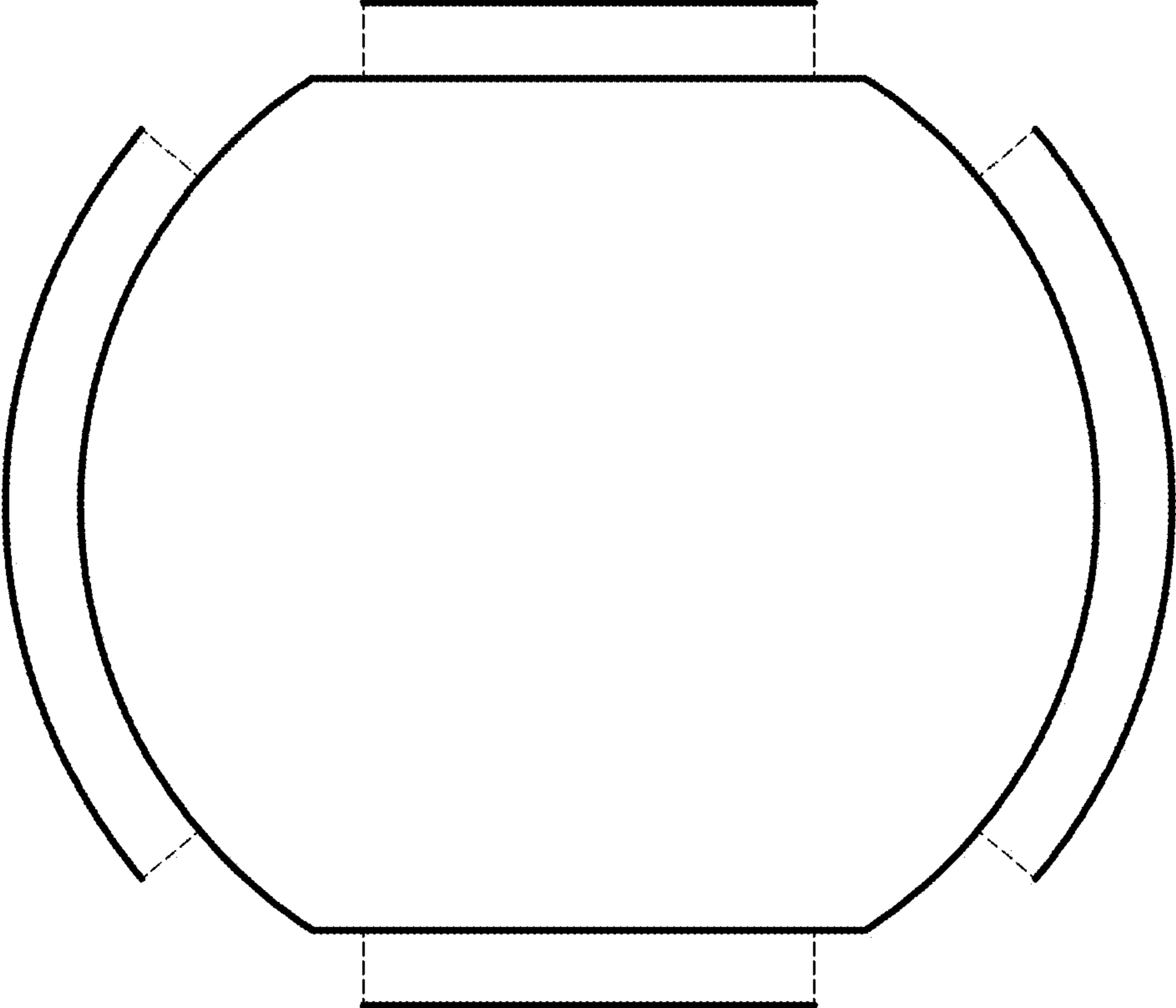


FIG. 1

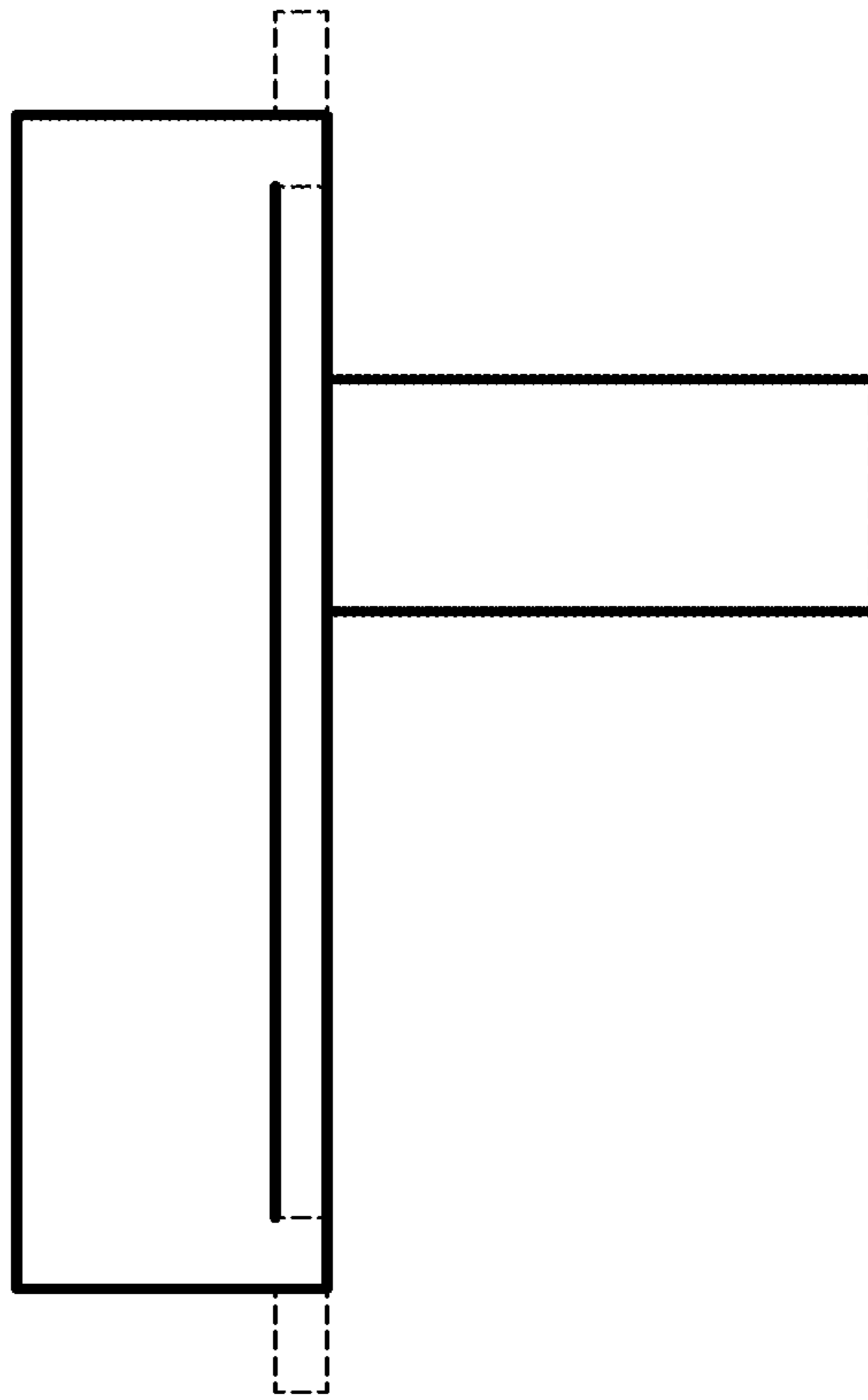


FIG. 2

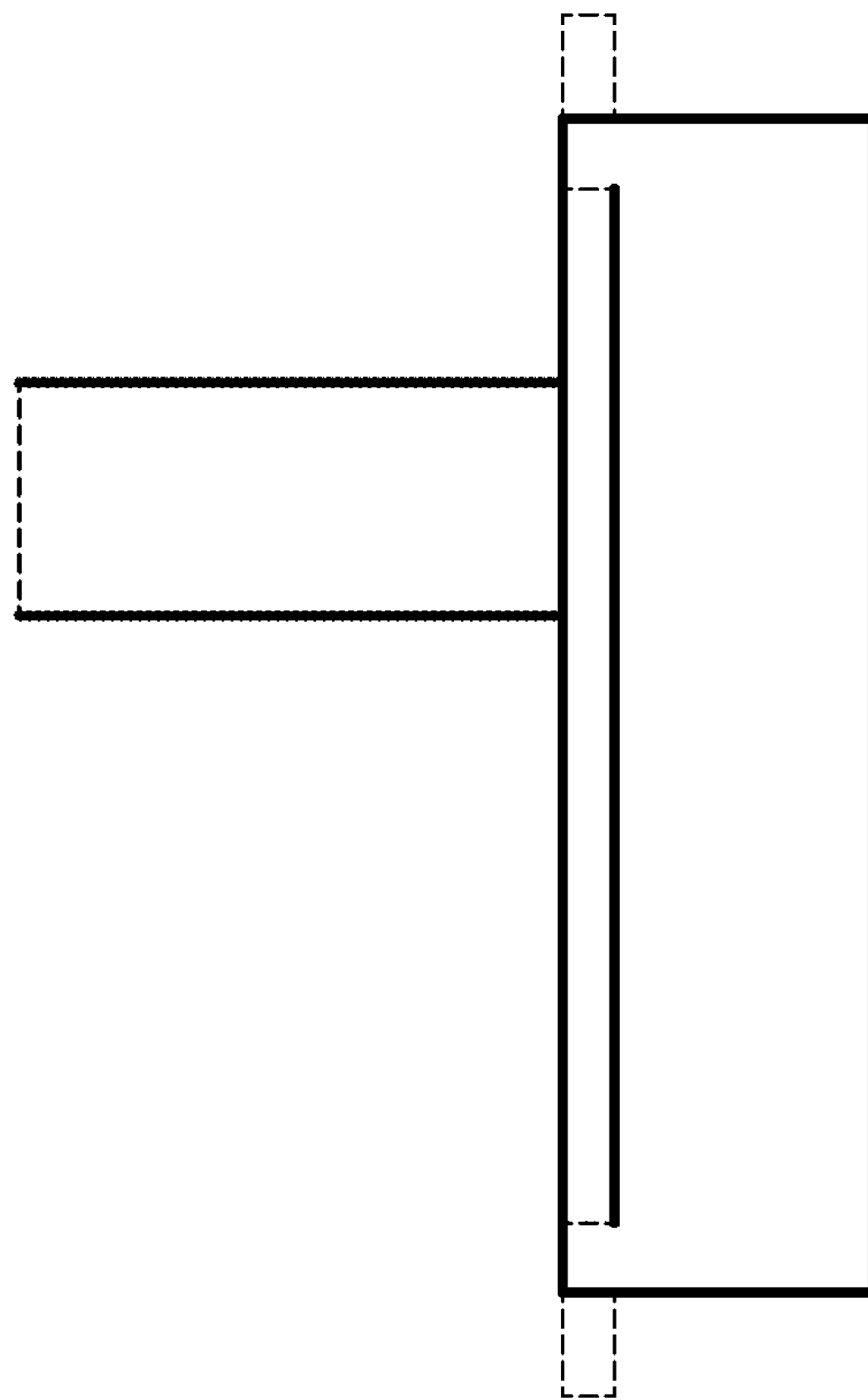


FIG. 3

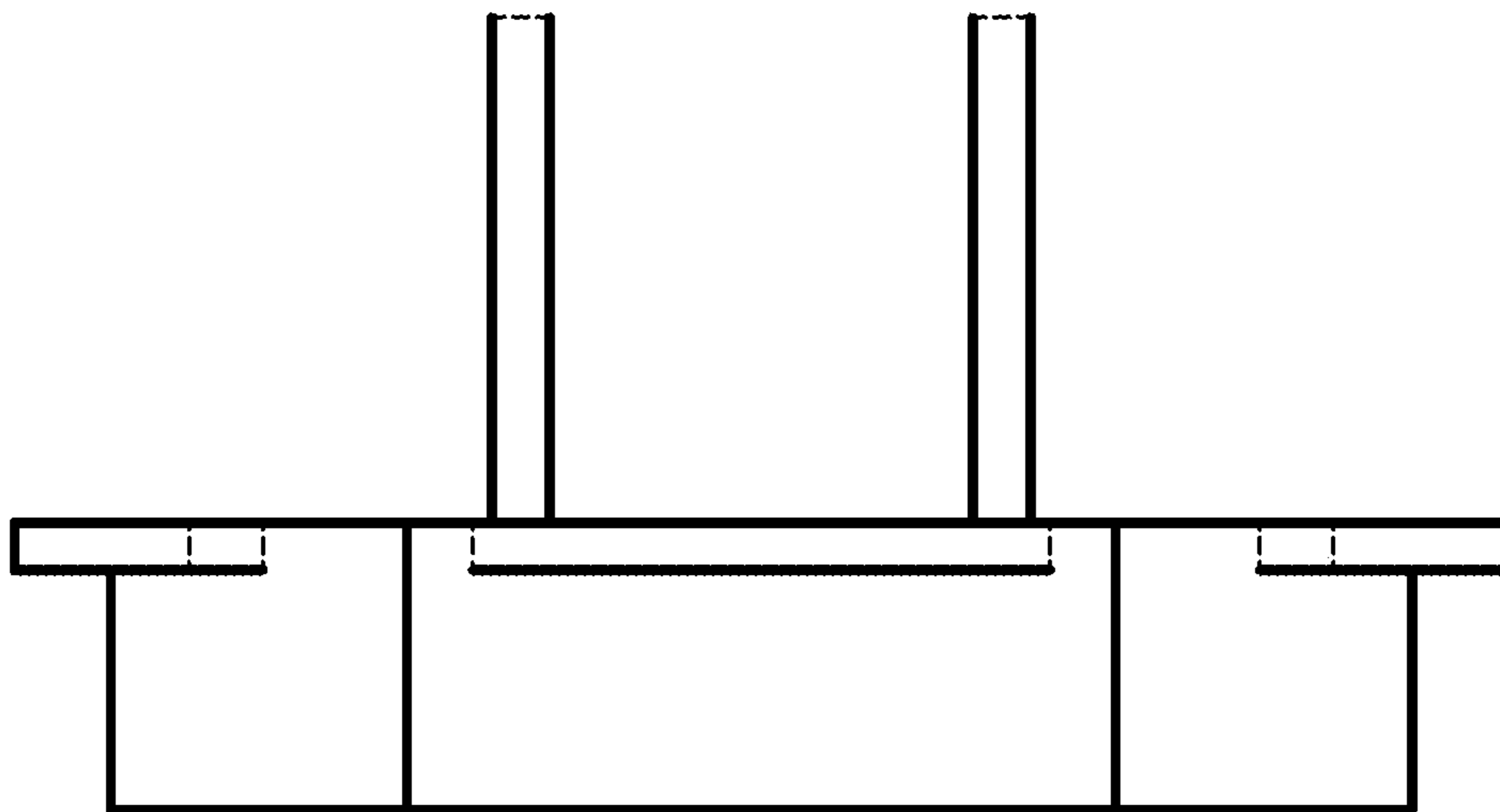


FIG. 4

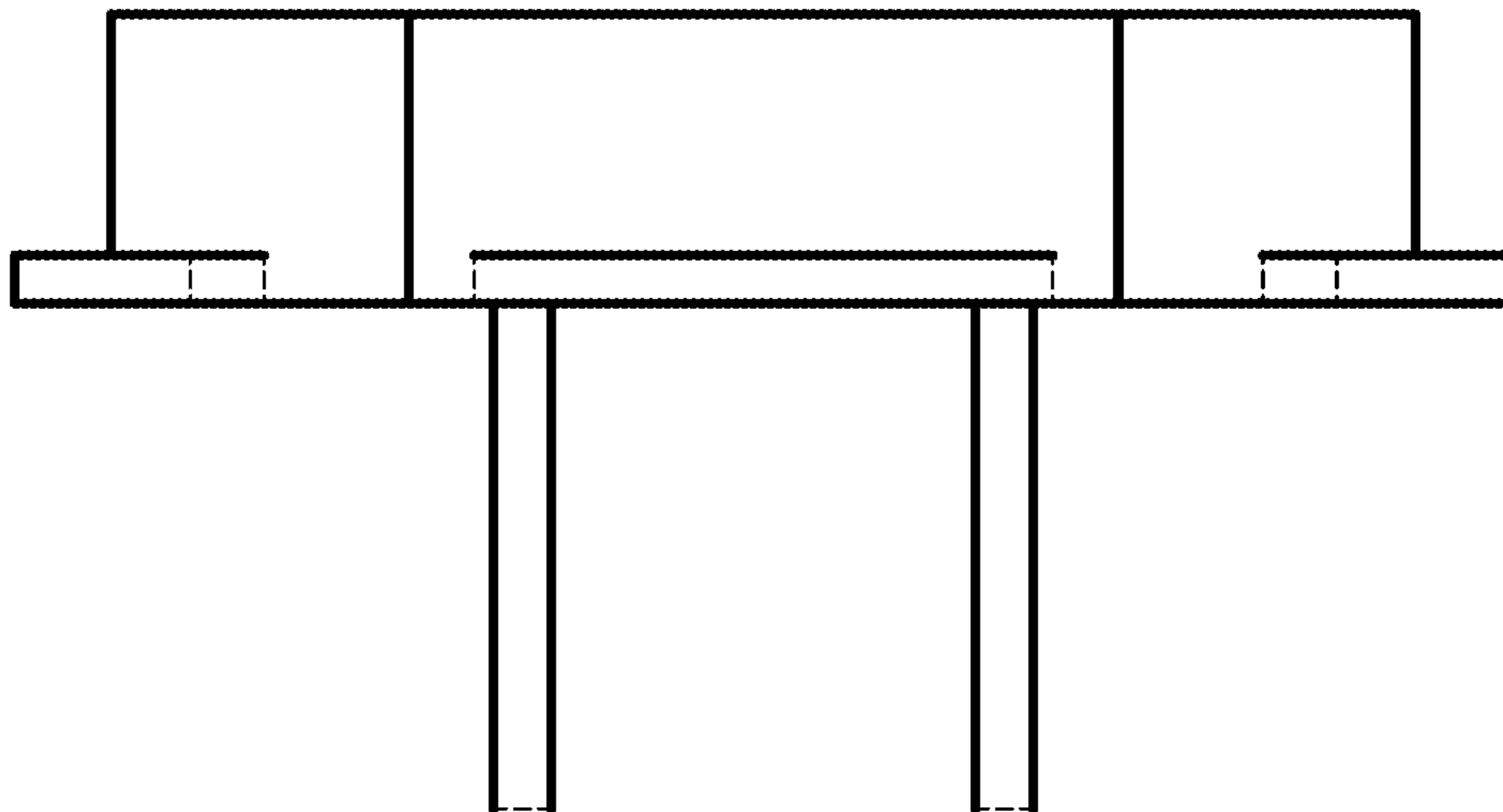


FIG. 5

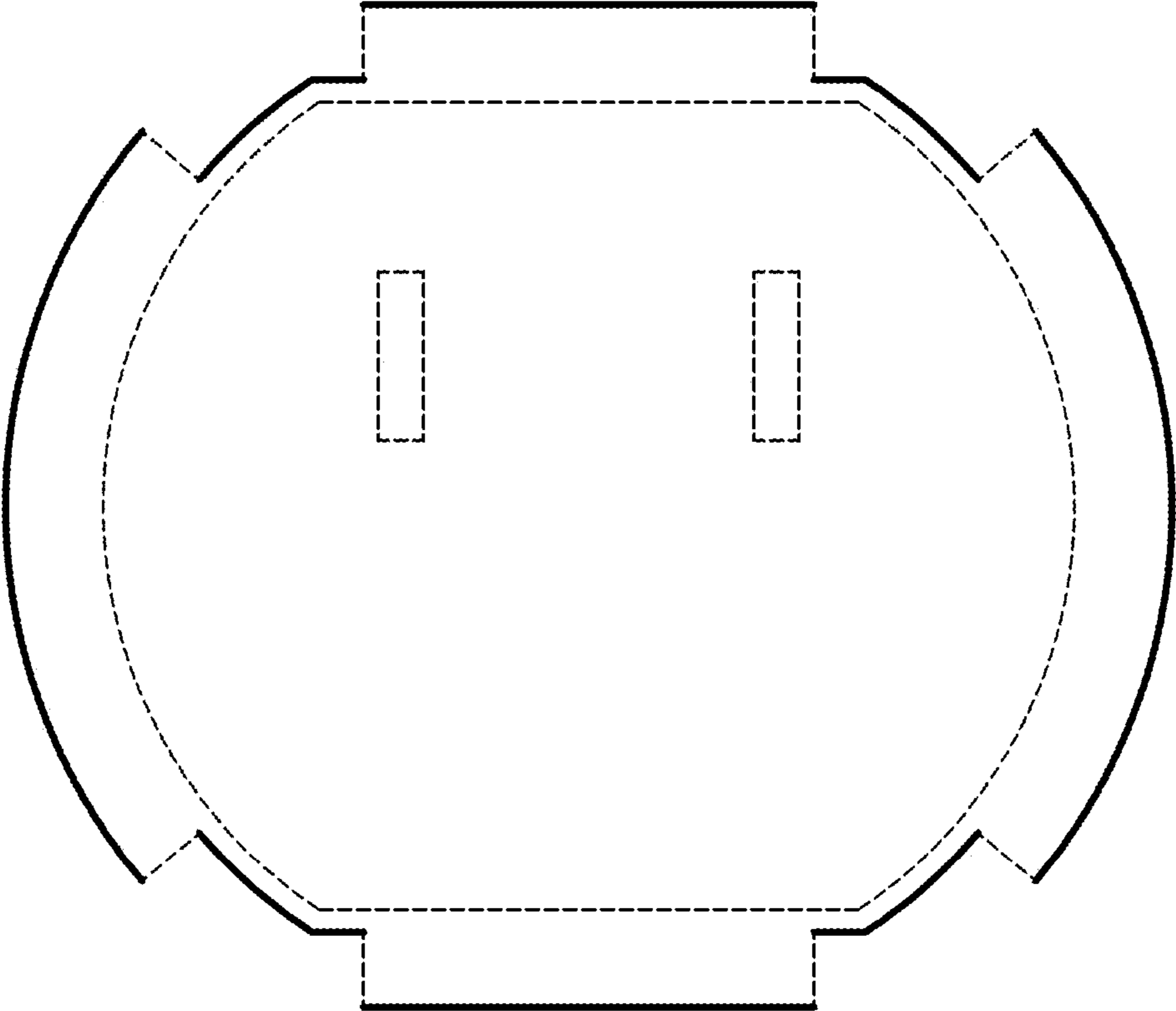


FIG. 6

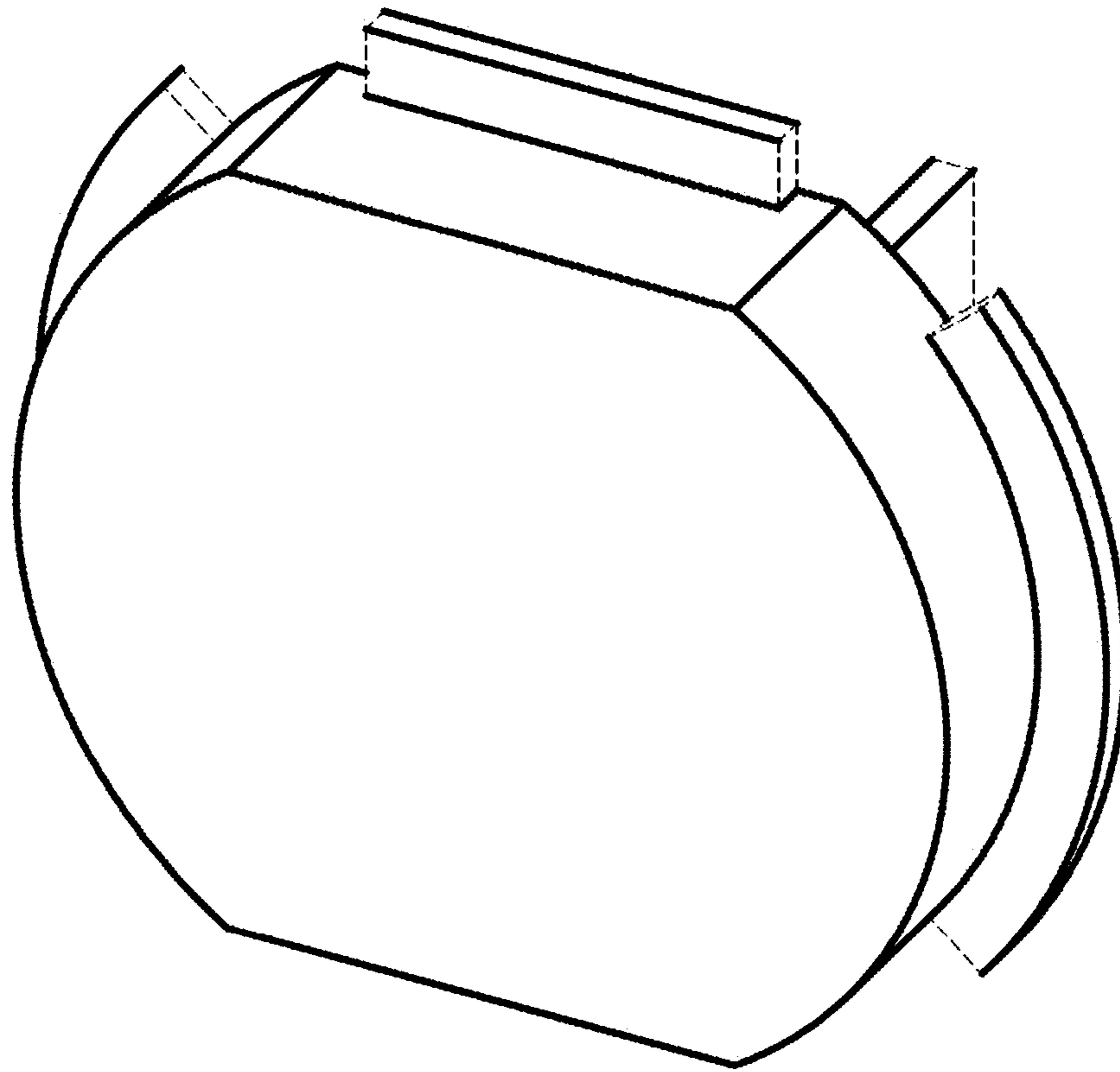


FIG. 7