



US00D928349S

(12) **United States Design Patent**
Tardif

(10) **Patent No.:** **US D928,349 S**

(45) **Date of Patent:** **** Aug. 17, 2021**

(54) **CANDLE HOLDER**
(71) Applicant: **Pierre Tardif**, Brooklyn, NY (US)
(72) Inventor: **Pierre Tardif**, Brooklyn, NY (US)
(73) Assignee: **3RD RITUAL**, Brooklyn, NY (US)
(**) Term: **15 Years**

D397,462 S * 8/1998 Hollinger D26/20
D513,375 S * 1/2006 Rocha F21V 35/00
D7/558
D540,957 S * 4/2007 Mama F21V 35/00
D26/2
D585,573 S * 1/2009 Hawass A01K 45/002
D26/9
D670,451 S * 11/2012 Able D30/129
2018/0195709 A1 * 7/2018 Wang A01K 45/002
(Continued)

(21) Appl. No.: **29/673,314**
(22) Filed: **Dec. 13, 2018**
(51) **LOC (13) Cl.** **26-01**
(52) **U.S. Cl.**
USPC **D26/20**
(58) **Field of Classification Search**
USPC D1/106, 107, 108, 109, 114, 115;
D26/1-17, 19-24, 28-38, 40, 41, 43-45,
D26/51, 55, 72, 74
CPC F21H 1/00; F21H 1/02; F21H 1/04; F21H
5/00; F21H 7/00; F21L 2/00; F21L 19/00;
F21L 19/003; F21L 19/006; F21S 2/00;
F21S 2/005; F21S 6/00; F21S 6/001;
F21S 9/00; F21S 9/02; F21S 43/00; F21V
15/00; F21V 35/00; F21V 35/003; F21V
35/006; F21V 37/0095; F21W 2103/00;
F21W 2103/20; F21W 2121/00; F21W
2121/002; F21W 2121/04; H01K 5/00
See application file for complete search history.

OTHER PUBLICATIONS

The Well Made Clock, "Before the Alarm Clock", first available
May 29, 2014. (<https://www.thewellmadeclock.com/before-alarm-clocks/>) (Year: 2014).*

(Continued)

Primary Examiner — April Rivas
Assistant Examiner — Justin A Johnson
(74) *Attorney, Agent, or Firm* — Fross Zelnick Lehrman
& Zissu, P.C.; Charles T. J. Weigell, Esq.

(57) **CLAIM**

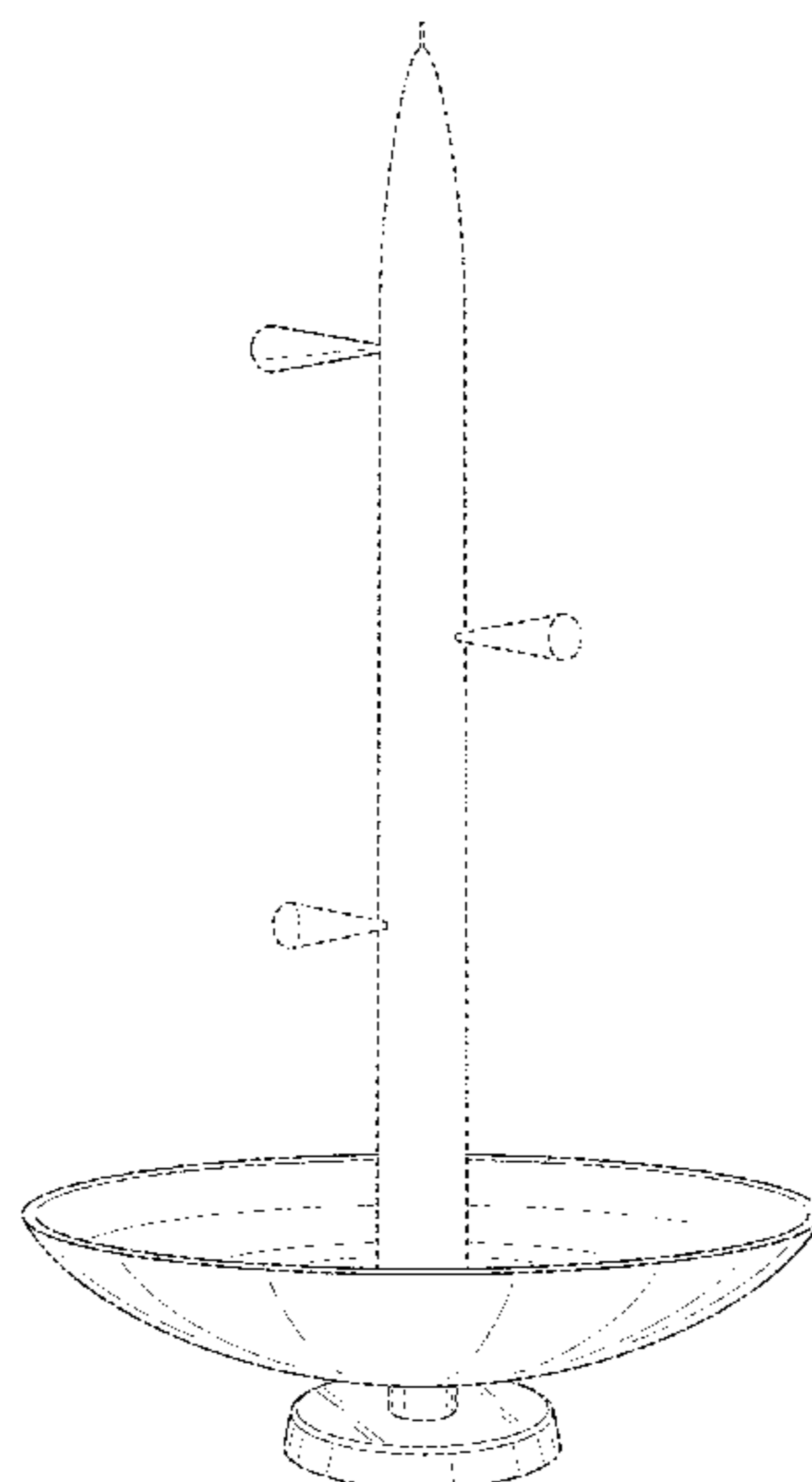
The ornamental design for a candle holder, as shown and
described.

DESCRIPTION

FIG. 1 is a front perspective view of a candle and holder
showing my new design;
FIG. 2 is a front view thereof;
FIG. 3 is a back view thereof;
FIG. 4 is a left side view thereof;
FIG. 5 is a right side view thereof;
FIG. 6 is a top view thereof; and,
FIG. 7 is a bottom view thereof.
The broken lines depiction of the candle and pegs in the
drawings form no part of the claimed design.

(56) **References Cited**
U.S. PATENT DOCUMENTS
D49,852 S * 11/1916 Northwood D11/164
D103,967 S * 4/1937 Guild D7/558
D146,097 S * 12/1946 Bellin F21V 35/00
D26/22
3,045,855 A * 7/1962 Lipman F21V 35/00
215/377
3,208,245 A * 9/1965 Turner F21V 35/00
431/292
D394,513 S * 5/1998 Davis D26/6

1 Claim, 7 Drawing Sheets



(56)

References Cited

U.S. PATENT DOCUMENTS

2019/0017695 A1* 1/2019 Goldstein F21V 35/00

OTHER PUBLICATIONS

alarmclock.sfegotist.com, “Candle Alarm Clock”, first available Sep. 11, 2017. (<https://alarmclock.sfegotist.com/col/10919-candle-alarm-clock.htm>) (Year: 2017).*

Instagram, “nousaku_global”, first available Apr. 4, 2018. (<https://www.instagram.com/p/BhK2FTGnctC/>) (Year: 2018).*

Instagram, “3rdritual”, first available Feb. 1, 2018. (<https://www.instagram.com/p/BeqqMHdpua/>) (Year: 2018).*

Images of prior art candle holder—Time Bell Candle design, https://www.nousaku.co.jp/main/en/506100_timebellcandle/, available before Dec. 13, 2018.

* cited by examiner

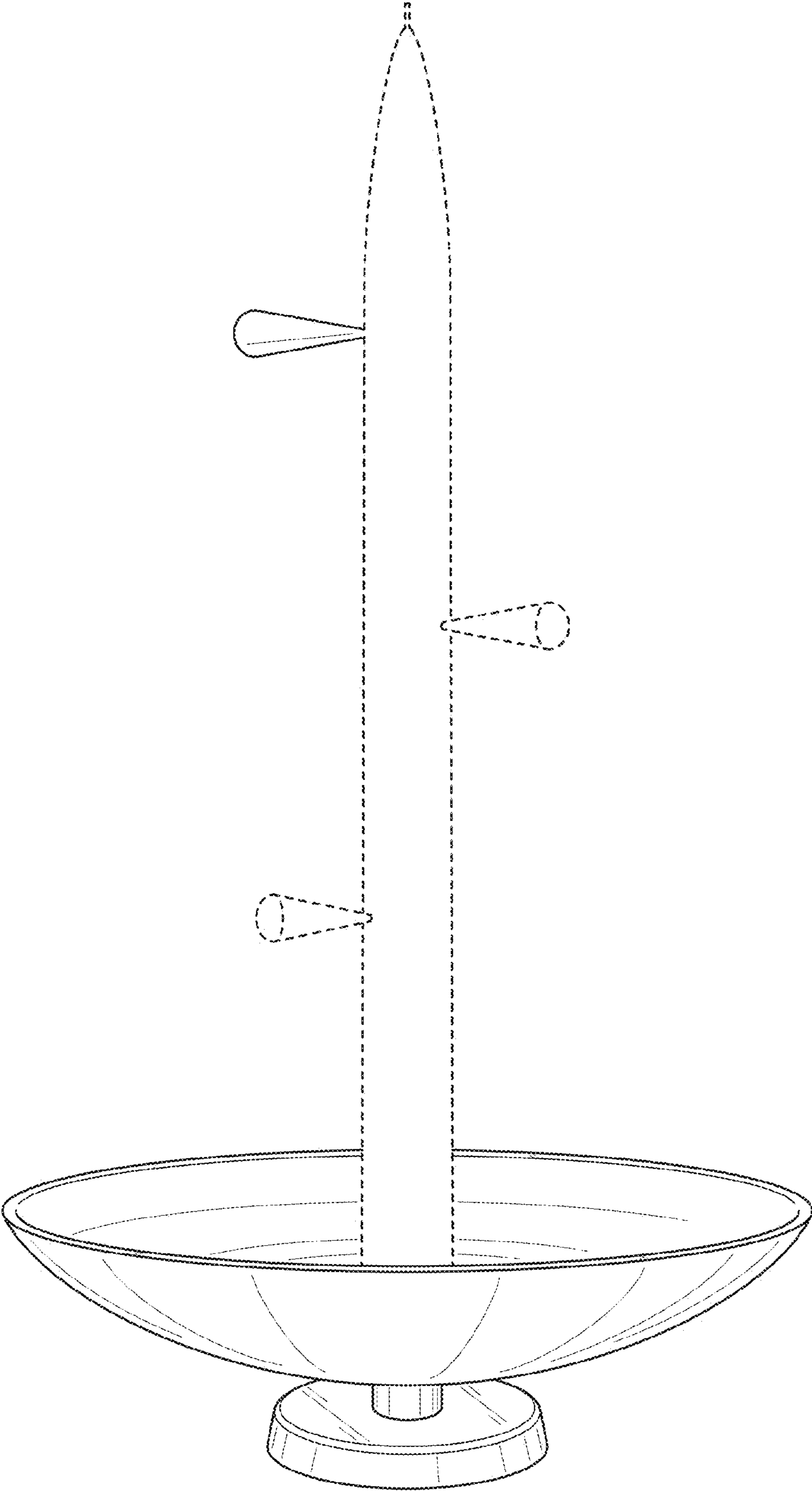


FIG. 1

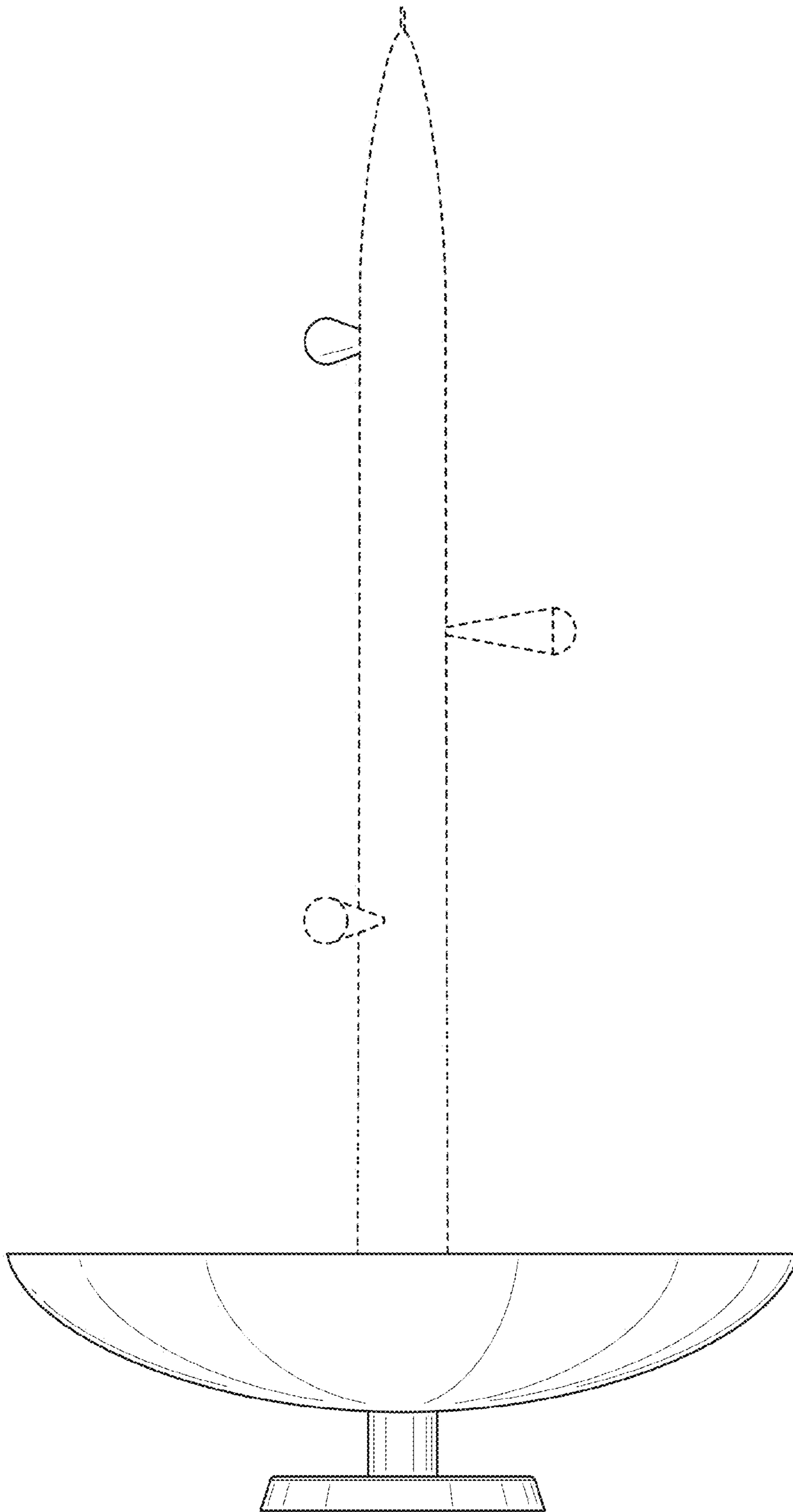


FIG. 2

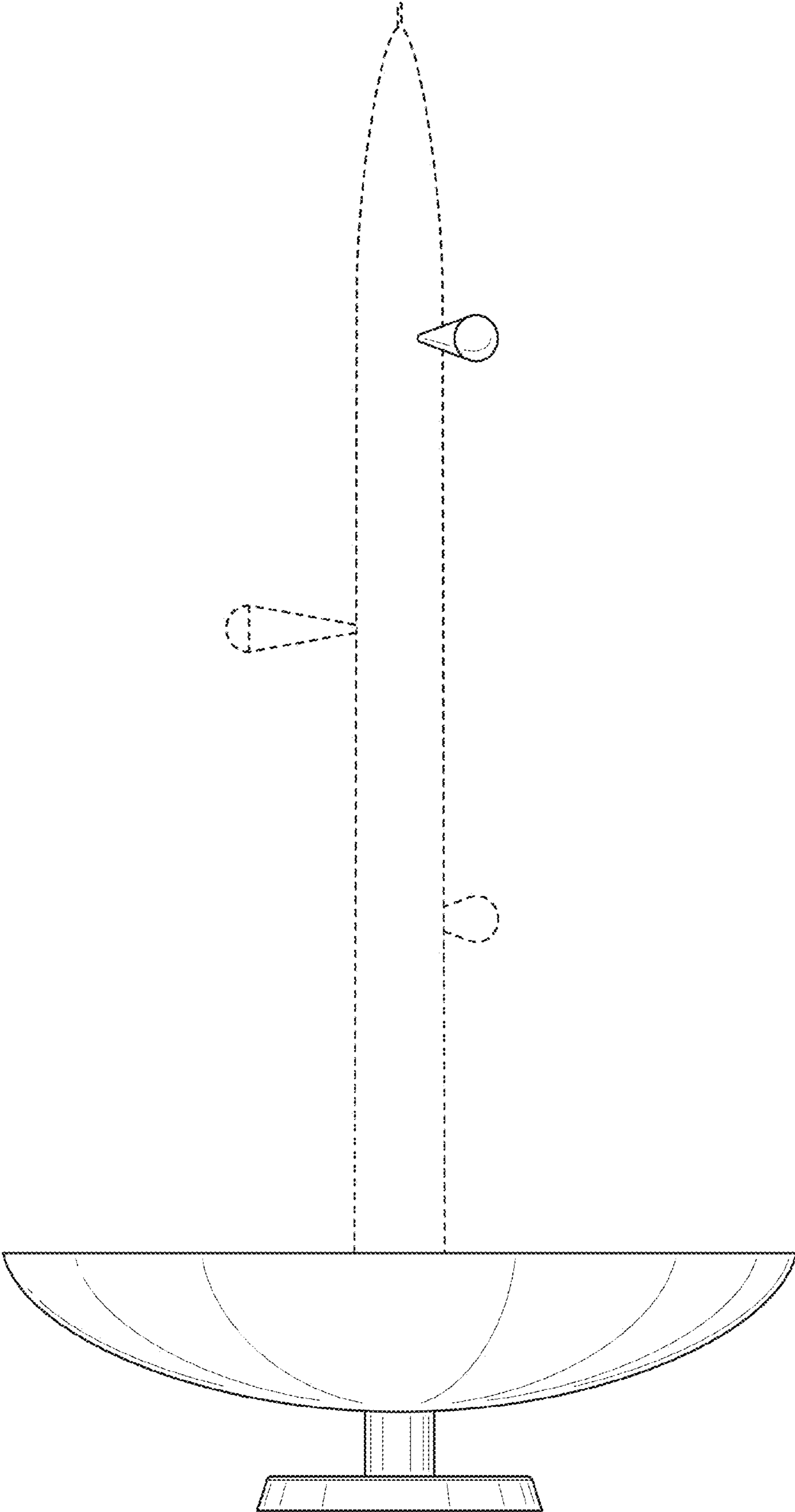


FIG. 3

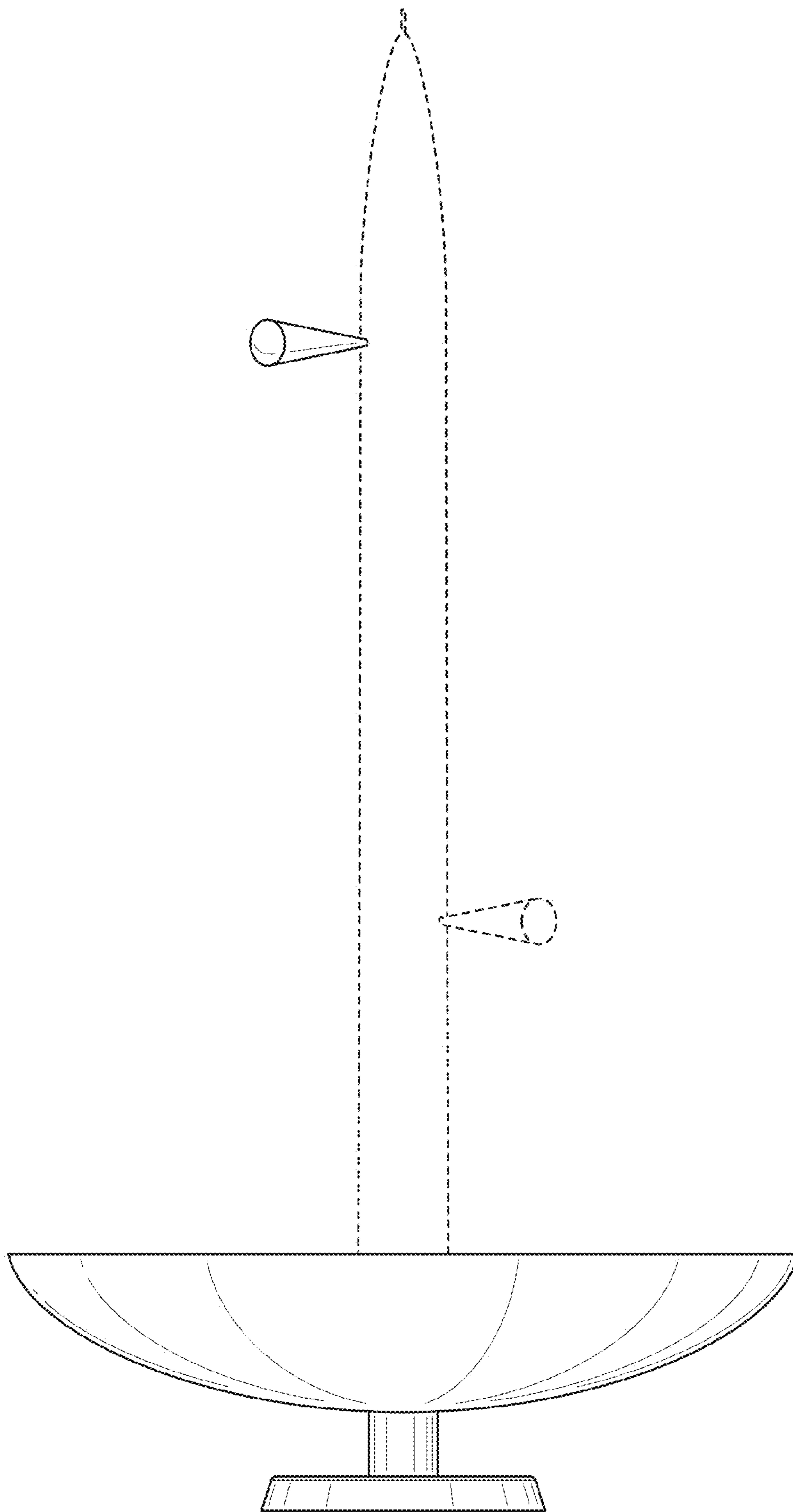


FIG. 4

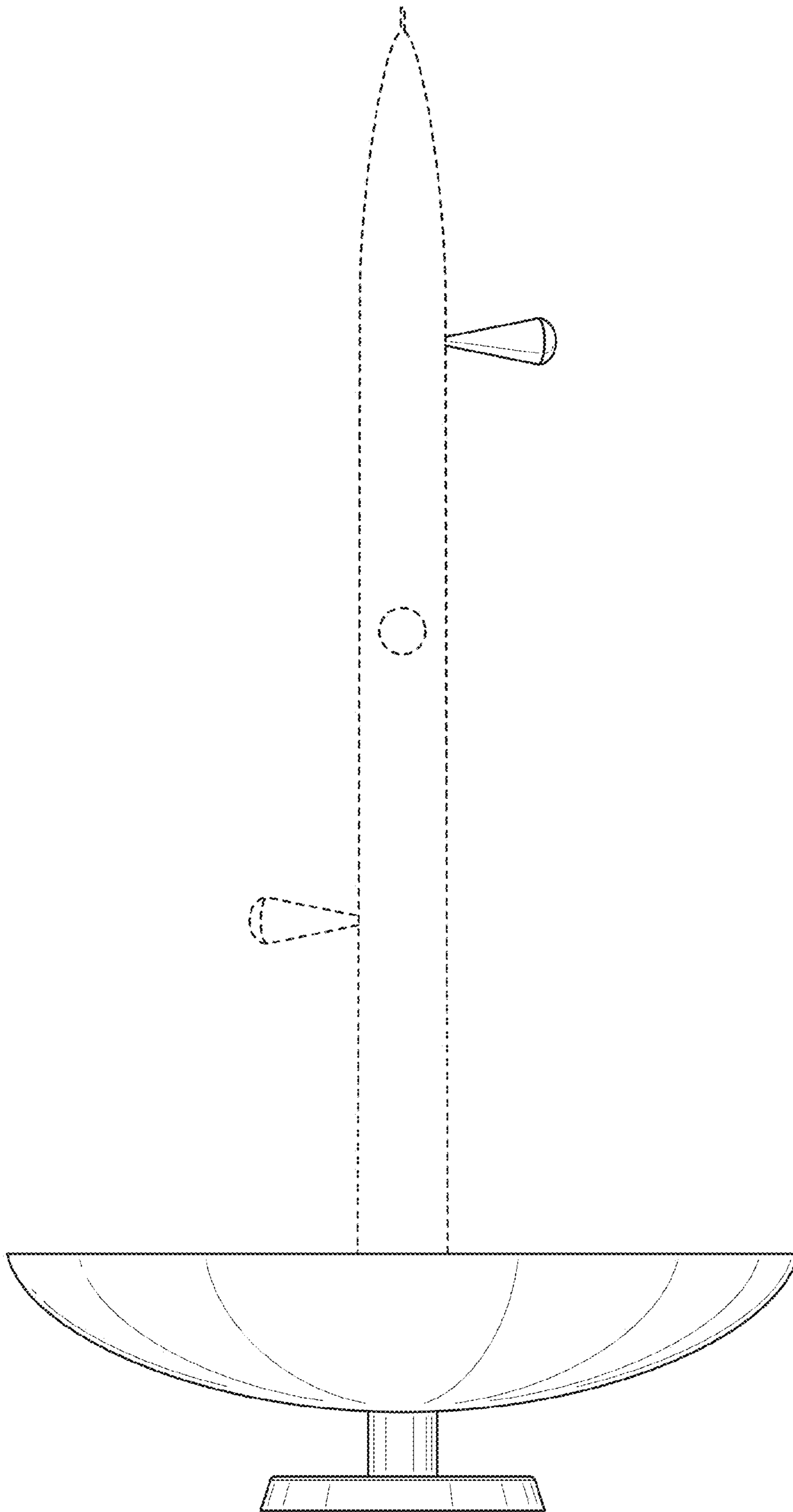


FIG. 5

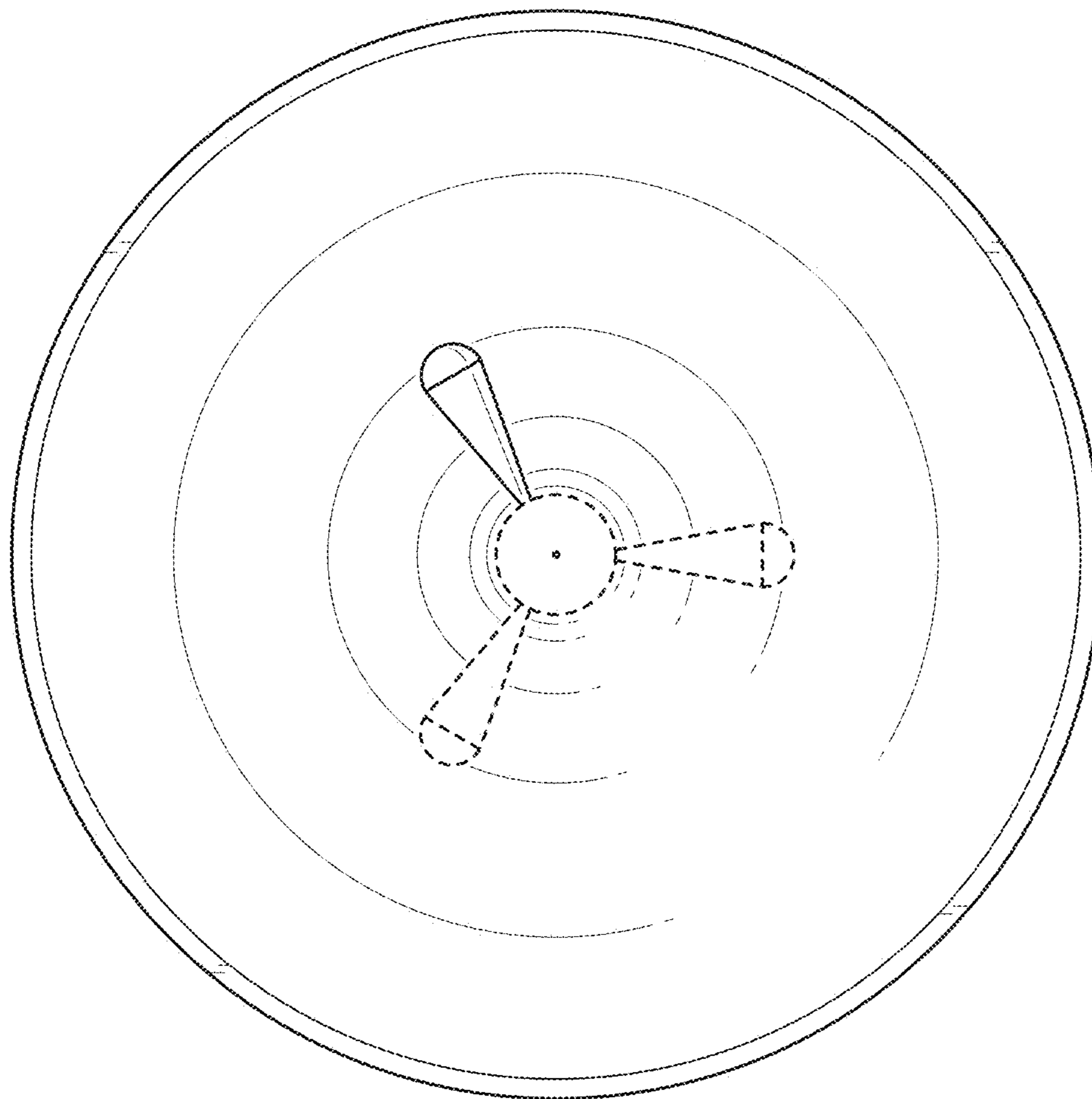


FIG. 6

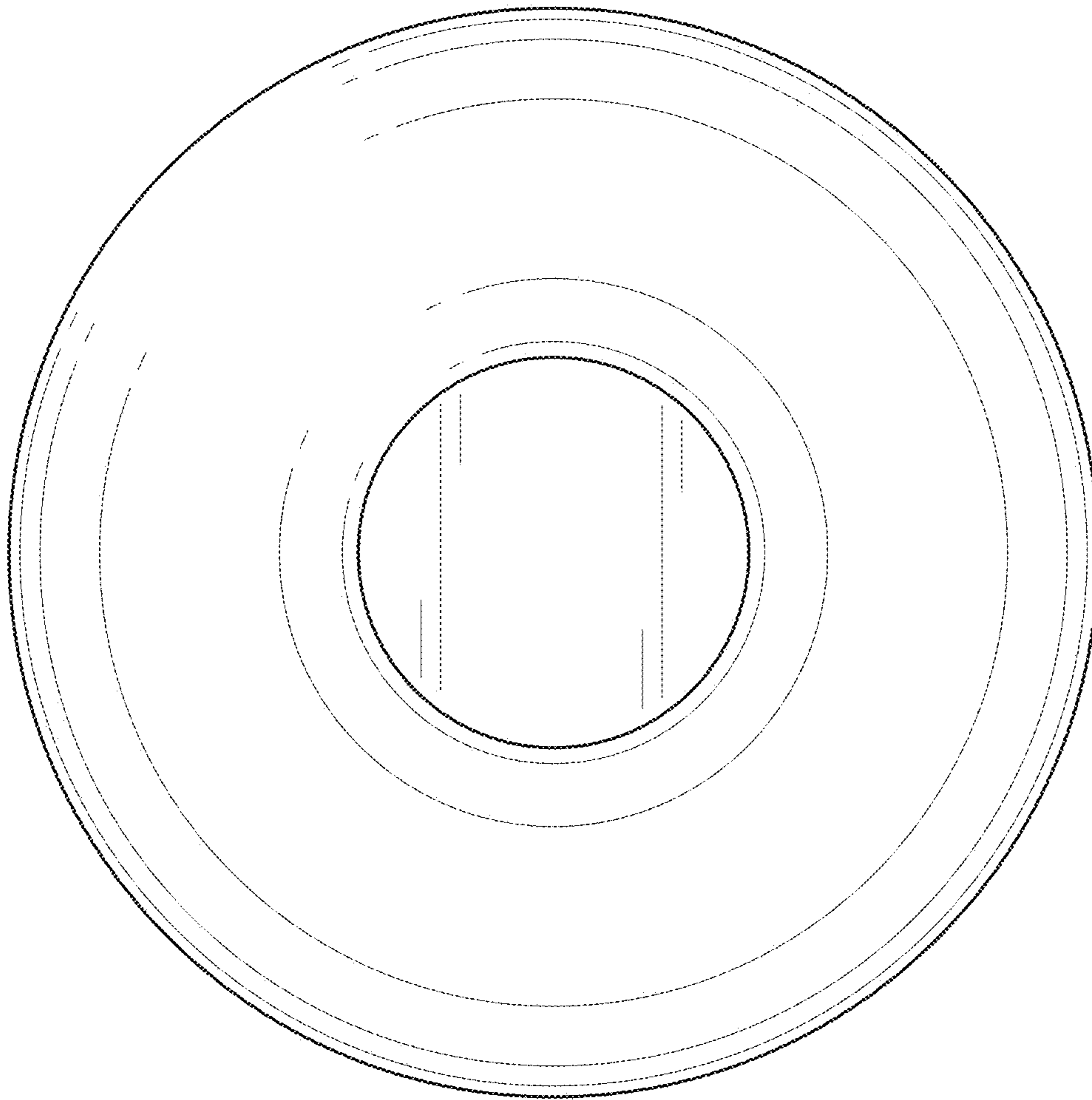


FIG. 7