



US00D928348S

(12) **United States Design Patent** (10) **Patent No.:** **US D928,348 S**  
**Moses, Jr. et al.** (45) **Date of Patent:** **\*\* Aug. 17, 2021**

(54) **SIDING PANEL**

OTHER PUBLICATIONS

(71) Applicant: **Associated Materials, LLC**, Cuyahoga Falls, OH (US)

Grossman, Handbook of Vinyl Formulating, 2008, John Wiley & Sons Inc., Second Edition (Year: 2008).

(72) Inventors: **Charles Bryan Moses, Jr.**, Hudson, OH (US); **Nicholas Daniel Thompson**, Medina, OH (US)

\* cited by examiner

(73) Assignee: **Associated Materials, LLC**, Cuyahoga Falls, OH (US)

*Primary Examiner* — Doris Clark

(74) *Attorney, Agent, or Firm* — Knobbe, Martens, Olson & Bear LLP

(\*\*) Term: **15 Years**

(57) **CLAIM**

(21) Appl. No.: **29/696,117**

The ornamental design for a siding panel, as shown and described.

(22) Filed: **Jun. 25, 2019**

(51) **LOC (13) Cl.** ..... **25-01**

**DESCRIPTION**

(52) **U.S. Cl.**

USPC ..... **D25/139**

(58) **Field of Classification Search**

USPC ..... D25/138, 139

CPC ..... E04F 13/08; E04F 13/0864; E04F 13/09; E04F 13/12

See application file for complete search history.

FIG. 1 is a top perspective view of a siding panel embodying my new design;

FIG. 2 is a bottom perspective view thereof;

FIG. 3 is a front view thereof;

FIG. 4 is a rear view thereof;

FIG. 5 is a left side view thereof, the right side view being a mirror image;

FIG. 6 is a top view thereof; and,

FIG. 7 is a bottom view thereof.

The broken lines illustrate portions of the siding panel that form no part of the claimed design. However, in embodiments other than those illustrated, any lines that are currently illustrated as broken may be redrawn as solid lines, and any lines that are currently illustrated as solid may be redrawn as broken lines. Any surface that is currently claimed can be disclaimed and any surface that is currently disclaimed can be claimed. The scope of the present disclosure encompasses all lines illustrated, whether broken or solid.

(56) **References Cited**

U.S. PATENT DOCUMENTS

6,195,952 B1 3/2001 Culpepper  
D449,121 S \* 10/2001 Hunter ..... B32B 3/266  
D25/139

7,040,067 B2 5/2006 Mowery

9,677,284 B1 6/2017 Barrett

9,797,144 B2 \* 10/2017 Maurer ..... E04F 13/185

D818,151 S \* 5/2018 Sexton ..... D25/139

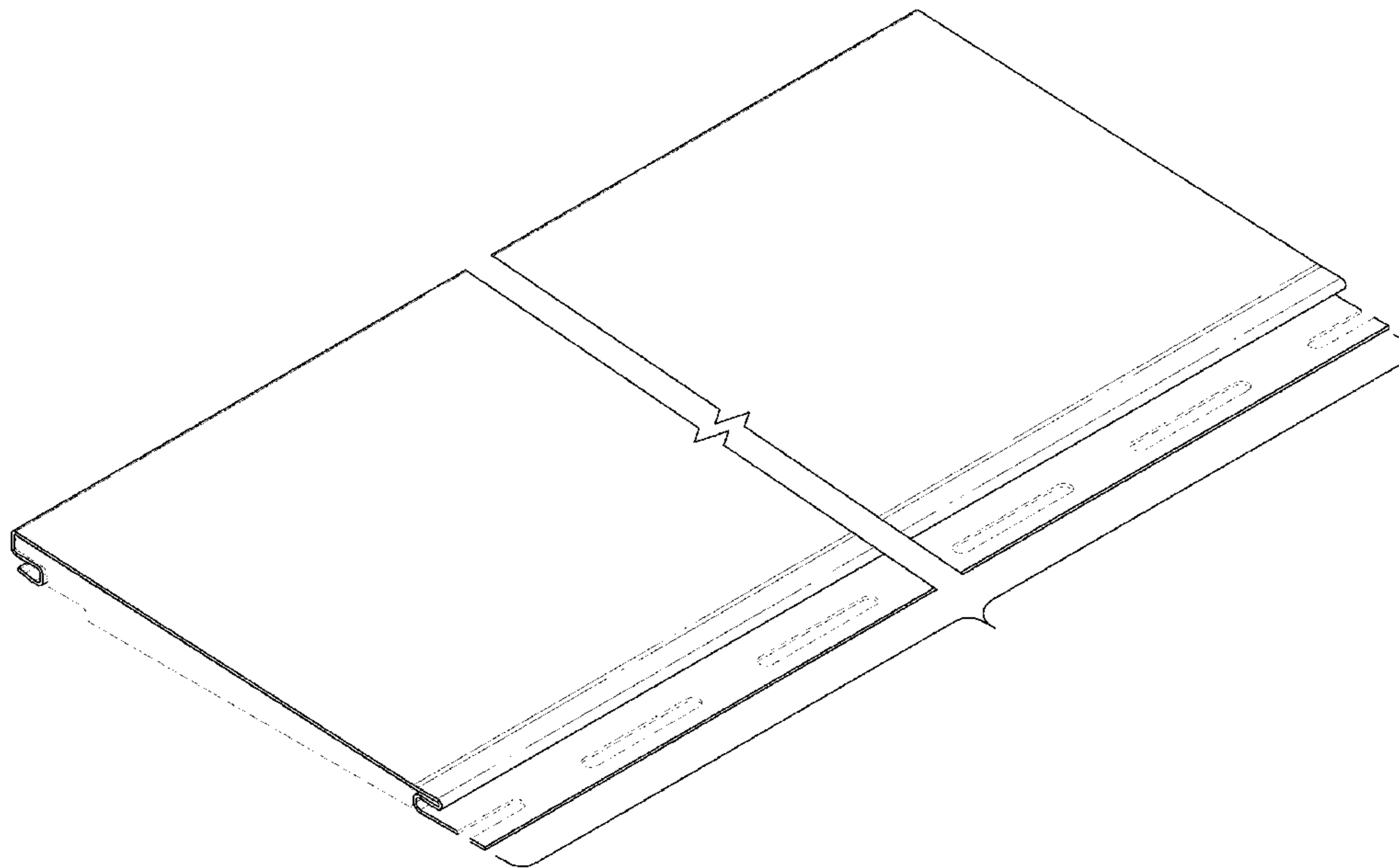
10,458,123 B2 \* 10/2019 Culpepper ..... B32B 3/266

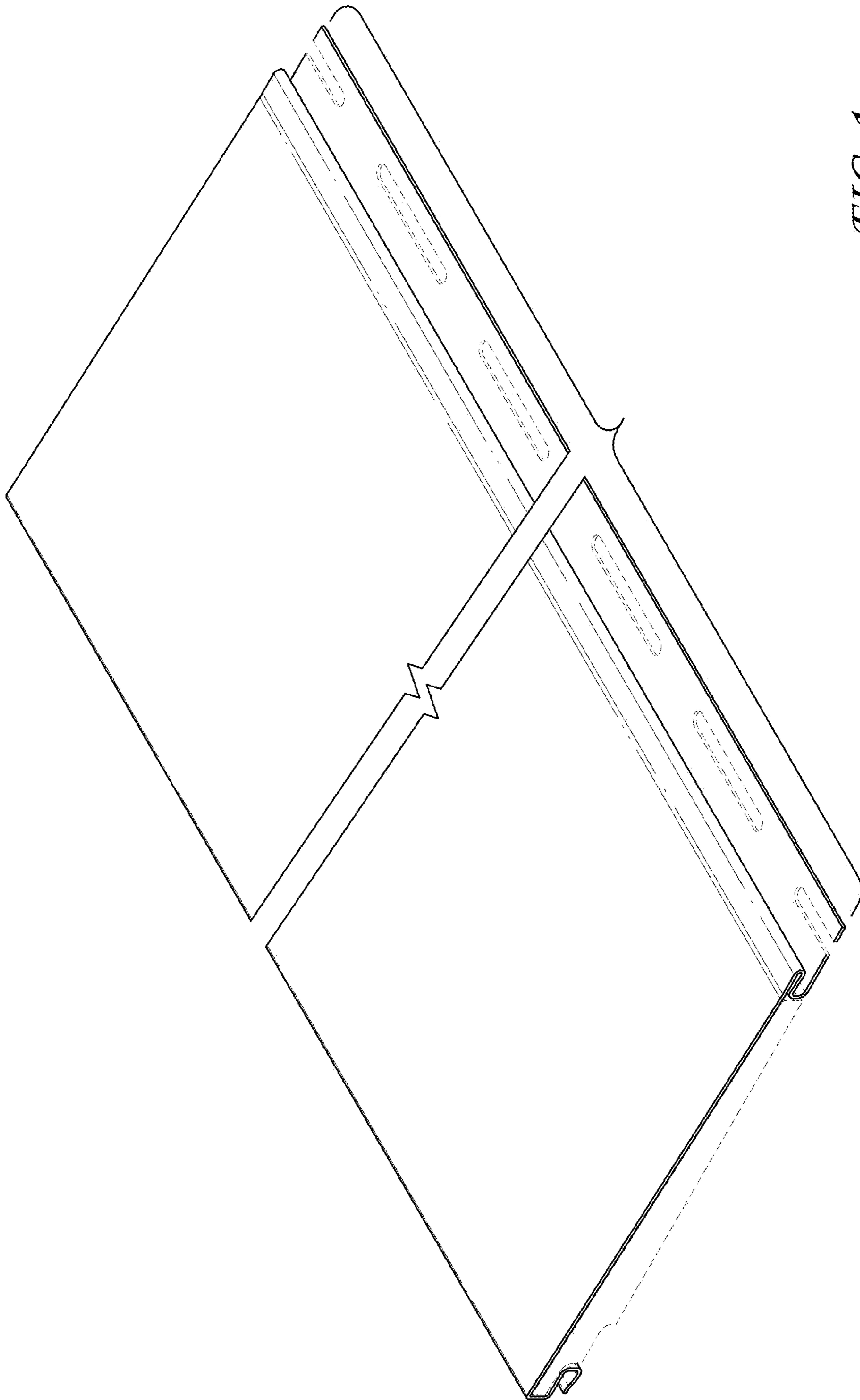
2009/0062413 A1 3/2009 Adur

2010/0028668 A1 2/2010 Janda

2010/0077689 A1 4/2010 Kalkanoglu

**1 Claim, 6 Drawing Sheets**





*FIG. 1*

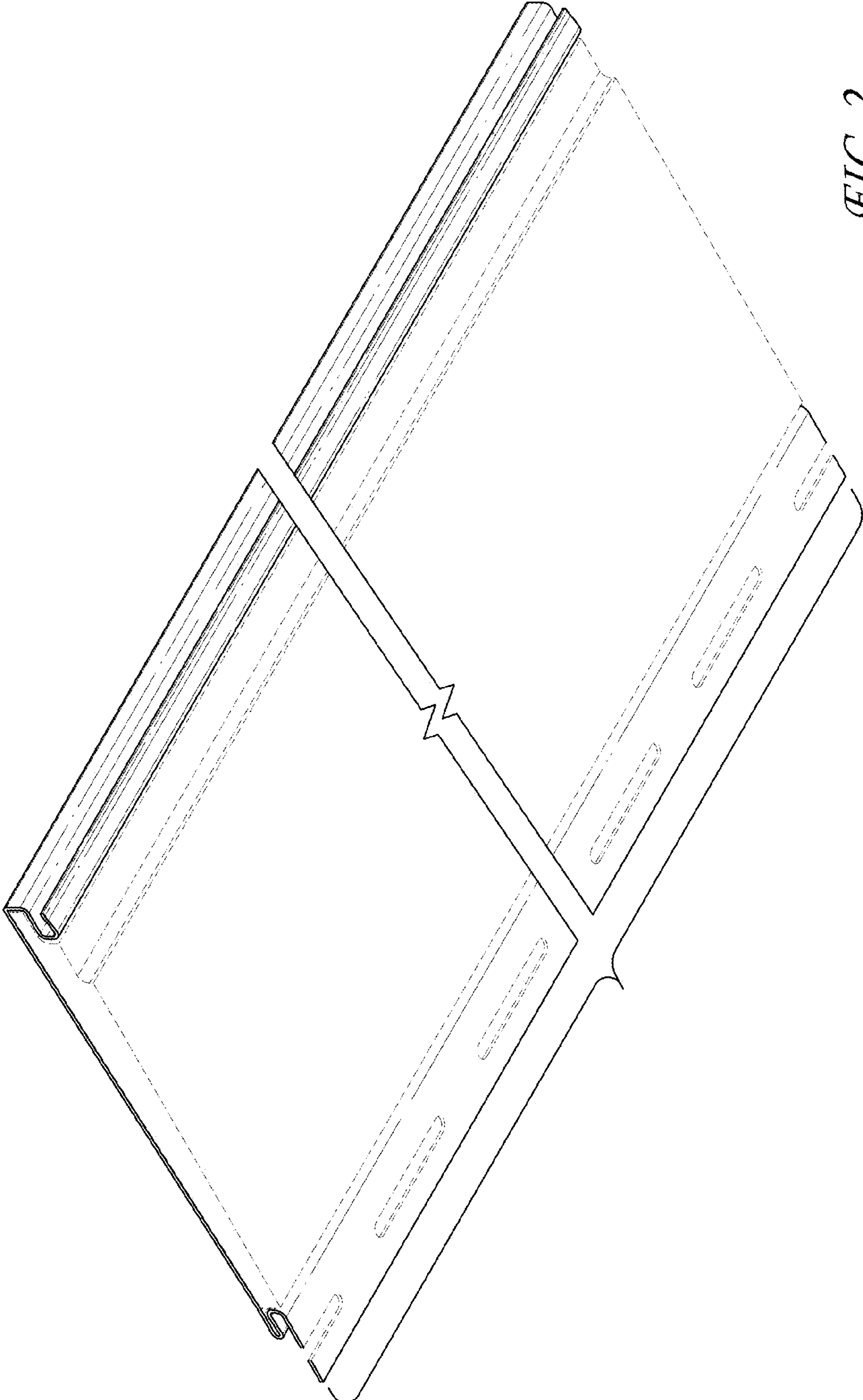
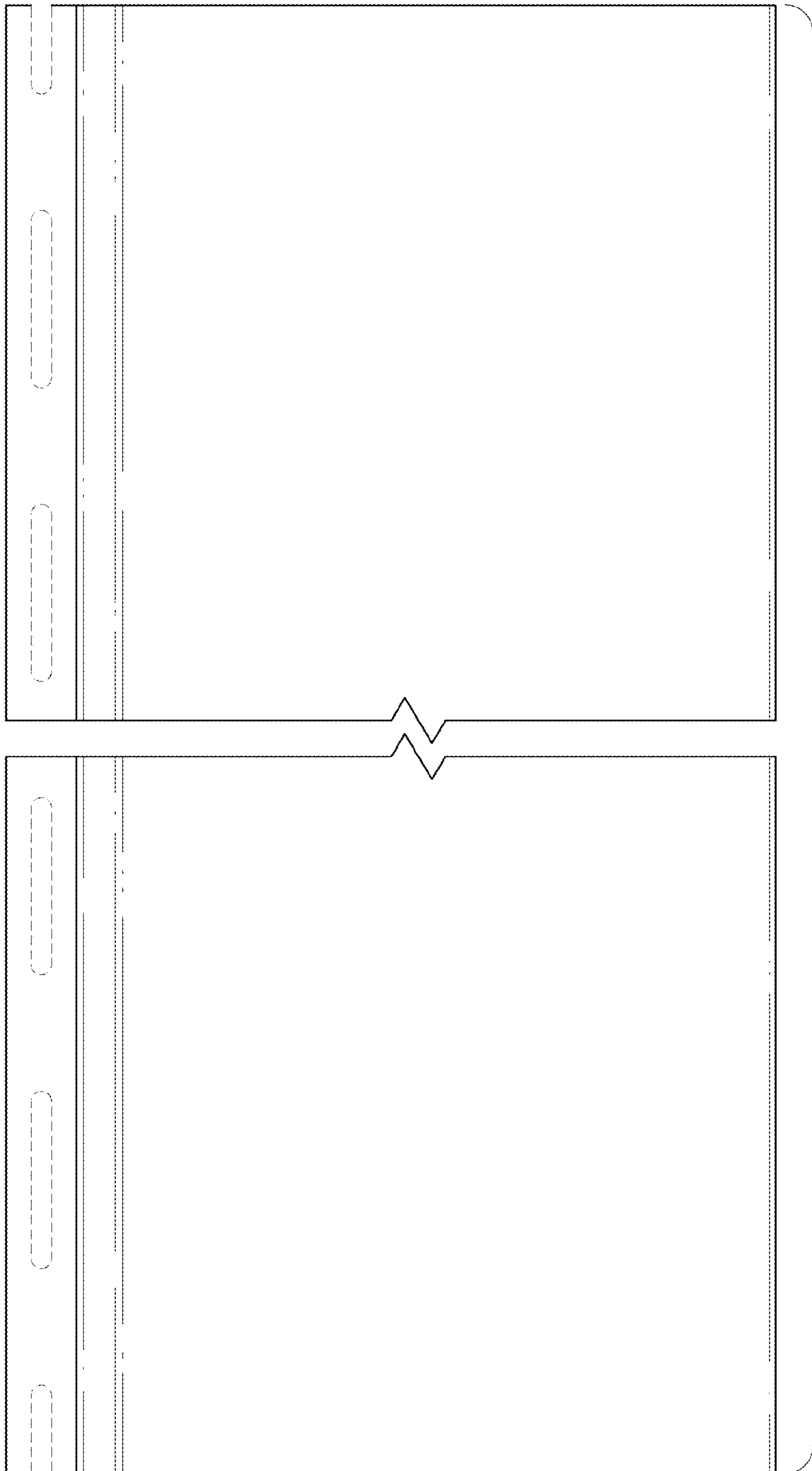
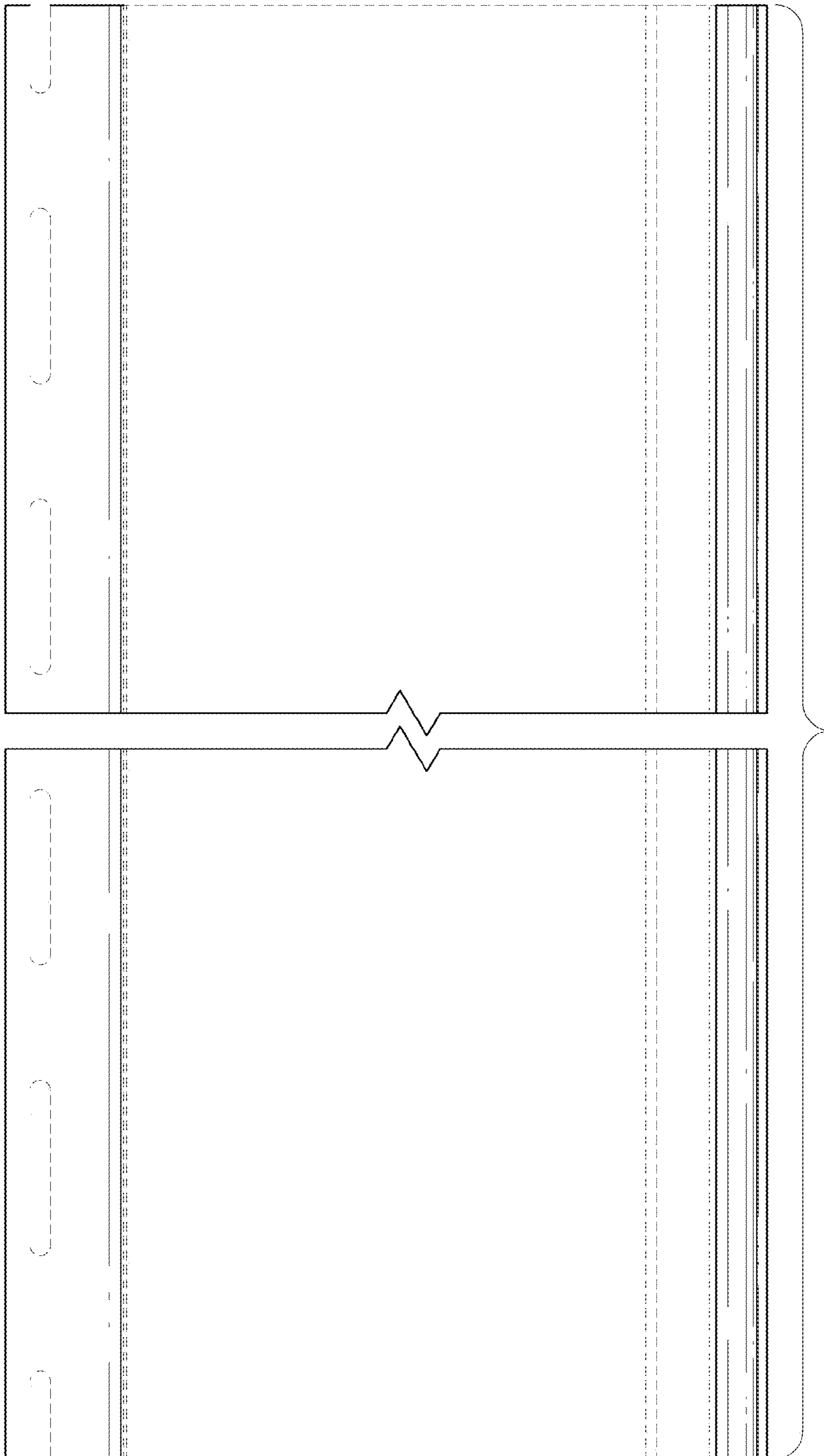


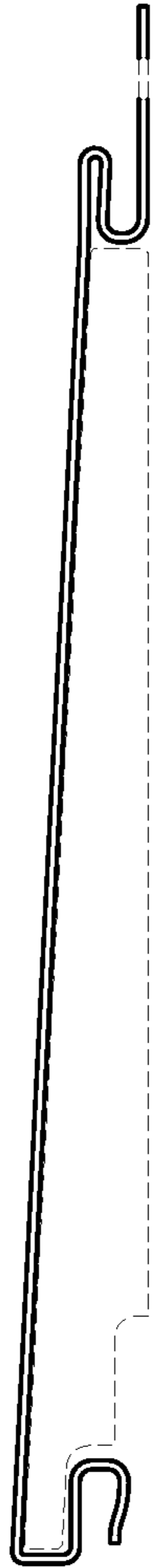
FIG. 2



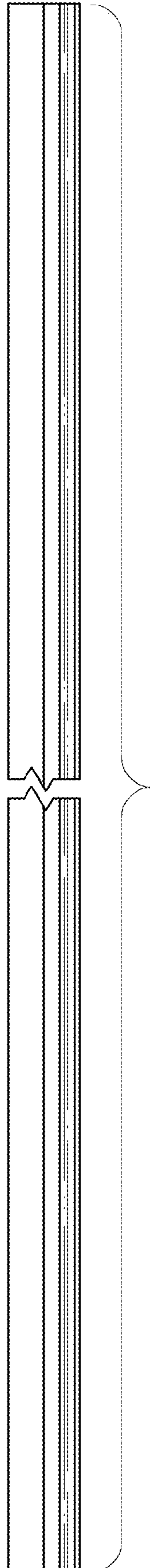
*FIG. 3*



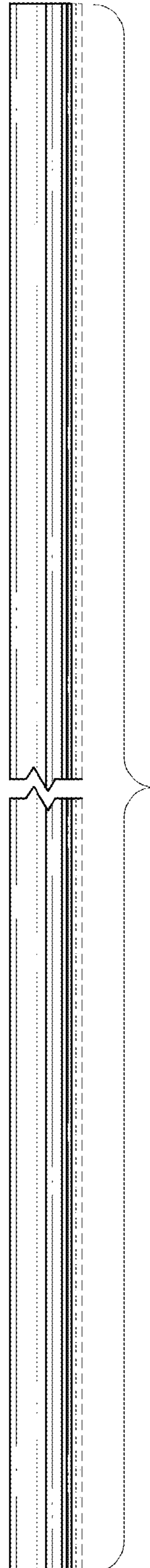
*FIG. 4*



*FIG. 5*



*FIG. 6*



*FIG. 7*