

US00D928347S

(12) **United States Design Patent** (10) **Patent No.:** **US D928,347 S**  
**O’Keeffe** (45) **Date of Patent:** **\*\* Aug. 17, 2021**

(54) **WALL BASE**  
(71) Applicant: **William F. O’Keeffe**, Brisbane (CA)  
(72) Inventor: **William F. O’Keeffe**, Brisbane (CA)  
(73) Assignee: **O’KEEFE’S, INC.**, Brisbane (CA)  
(\*\*) Term: **15 Years**  
(21) Appl. No.: **29/678,357**  
(22) Filed: **Jan. 28, 2019**  
(51) **LOC (13) Cl.** ..... **25-01**  
(52) **U.S. Cl.**  
USPC ..... **D25/133**  
(58) **Field of Classification Search**  
USPC ..... D25/61, 68, 69, 131–138, 141–143, 147,  
D25/151, 156–163, 199, 119, 124, 126;  
D21/316, 326; D9/430, 418, 415, 341,  
D9/337, 414, 346, 433; 473/40;  
206/45.31, 45.32, 45.33, 551, 541, 315.1,  
206/315.9; 229/108, 115, 162, 906, 902;  
D26/80, 88  
CPC ..... C04B 14/06; C04B 14/22; C04B 40/0028;  
C08L 2666/024; A01M 25/004; A63D  
15/00; A61L 24/46  
See application file for complete search history.

D423,930 S \* 5/2000 Rondolino ..... D9/430  
D439,161 S \* 3/2001 Rondolino ..... D9/430  
D440,326 S \* 4/2001 Kohlberger ..... D25/133  
D458,389 S \* 6/2002 Abbestam ..... D25/133  
6,537,156 B1 \* 3/2003 Stagg ..... A63D 15/005  
473/1  
D482,128 S \* 11/2003 Krueger ..... D25/126  
6,729,089 B1 \* 5/2004 Spragg ..... E04H 12/2238  
248/346.03  
D503,813 S \* 4/2005 Steffes ..... D25/133  
D529,116 S \* 9/2006 Hathcock ..... D21/782  
D530,834 S \* 10/2006 Navare ..... D25/133  
D531,325 S \* 10/2006 Navare ..... D25/133  
D565,355 S \* 4/2008 Bevacqua ..... D7/550.1  
D577,790 S \* 9/2008 Yovanovich ..... D21/782  
D586,481 S \* 2/2009 Blair ..... D25/133  
D610,718 S \* 2/2010 Ringus ..... D25/133

(Continued)

*Primary Examiner* — Sandra Snapp  
*Assistant Examiner* — Mehri Bajoul  
(74) *Attorney, Agent, or Firm* — Theodore J. Bielen, Jr.

(57) **CLAIM**

The ornamental design for a wall base, as shown and described.

**DESCRIPTION**

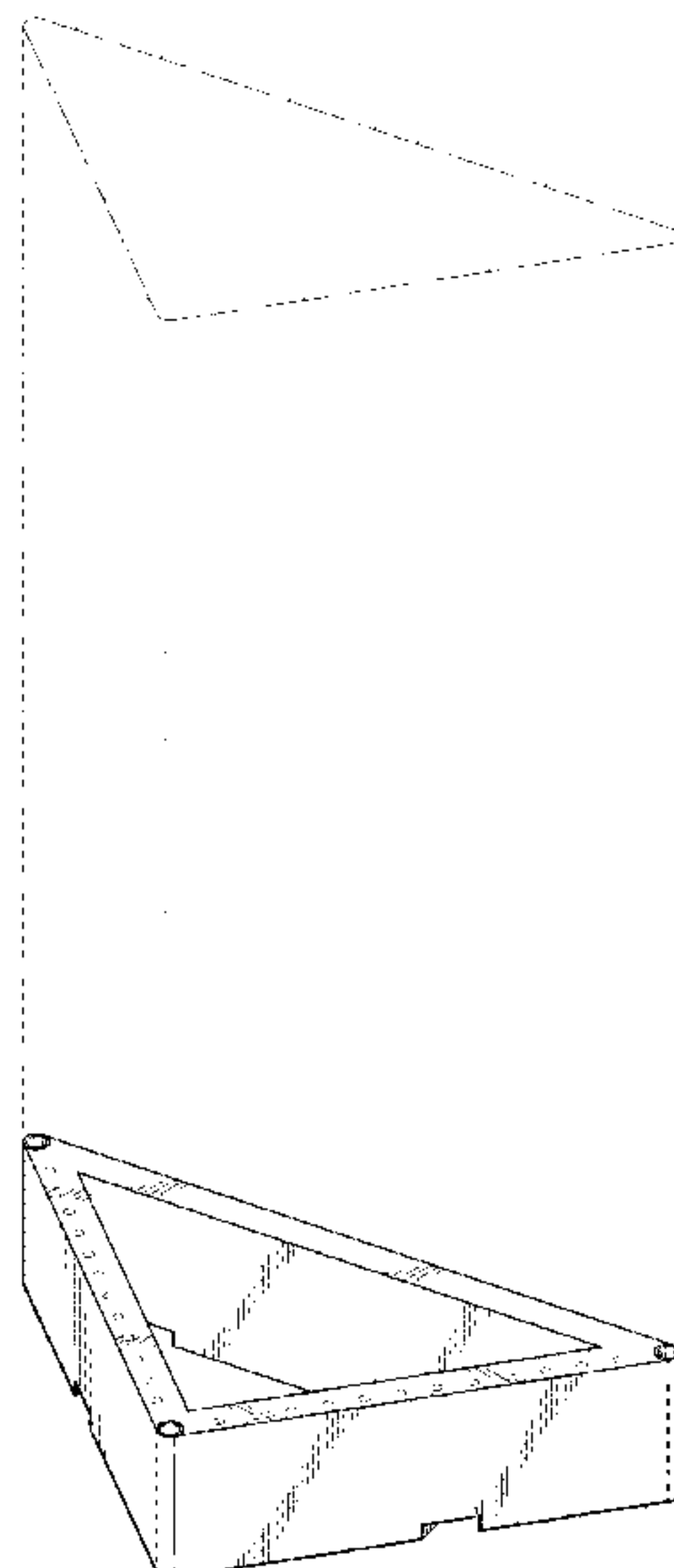
FIG. 1 is a front, top, right side perspective view of a wall base showing my new design.  
FIG. 2 is a right side view, the left side view being a mirror image thereof;  
FIG. 3 is a rear elevational view;  
FIG. 4 is a top plan view  
FIG. 5 is a bottom plan view; and,  
FIG. 6 is a front, top, right side perspective view thereof.  
The evenly dash-dash broken lines showing of small circles, in FIGS. 1, 4, and 6 depict portions of the wall base that form no part of the claimed design. The long-short dash lines, in FIG. 6, depict environmental structure and form no part of the claimed design.

**1 Claim, 3 Drawing Sheets**

(56) **References Cited**

U.S. PATENT DOCUMENTS

1,299,471 A \* 4/1919 Hornbostell ..... A63D 15/005  
473/40  
1,444,318 A \* 2/1923 Luplow ..... A63D 15/005  
473/40  
D312,423 S \* 11/1990 Orlinsky ..... D10/106.1  
D338,620 S \* 8/1993 Brozowski ..... D9/418  
D343,269 S \* 1/1994 Kirkham ..... D1/122  
D392,753 S \* 3/1998 Kohlberger ..... D25/133  
D416,484 S \* 11/1999 Voden ..... D6/552  
D419,364 S \* 1/2000 Jarvis ..... 206/551



(56)

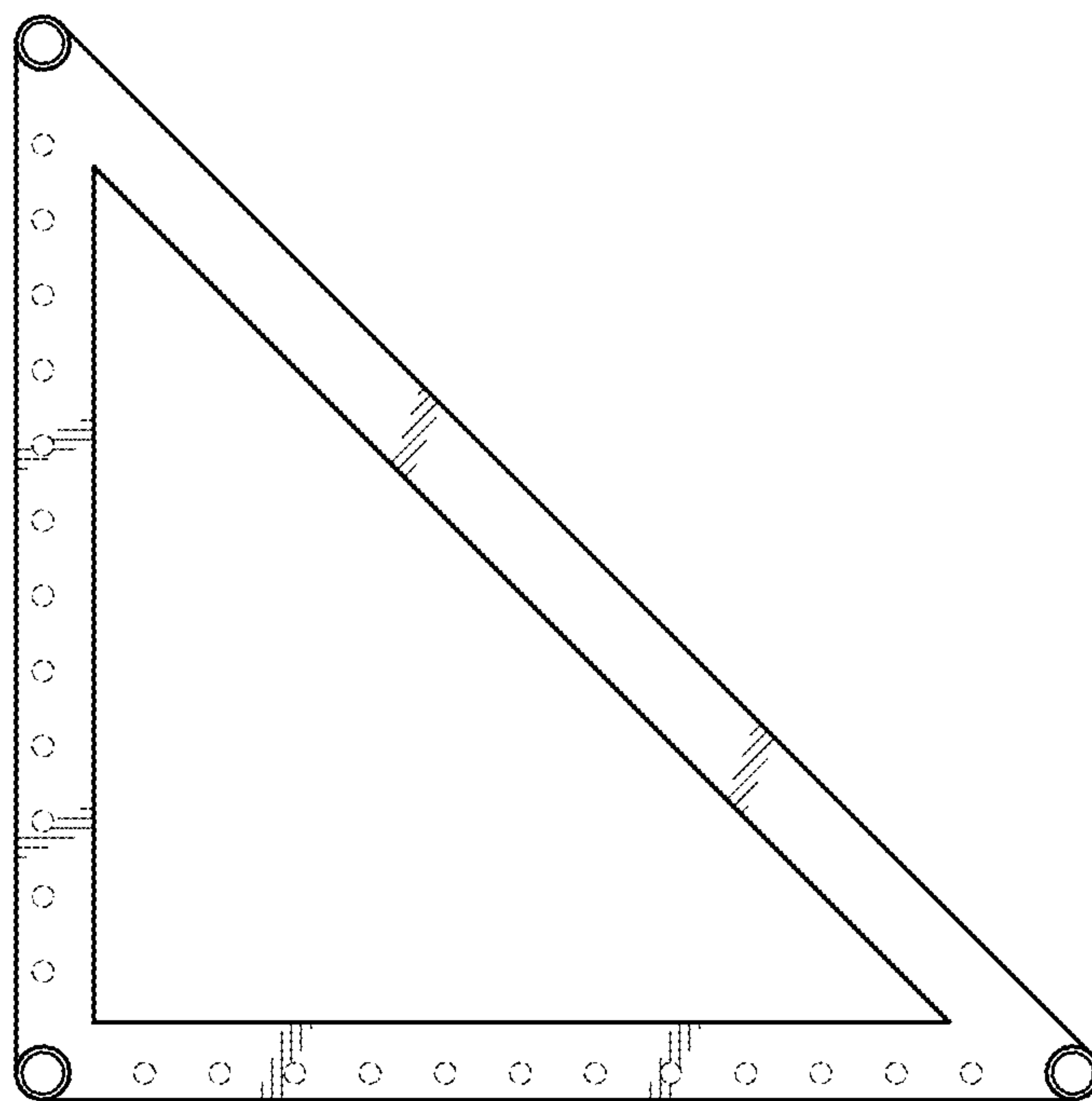
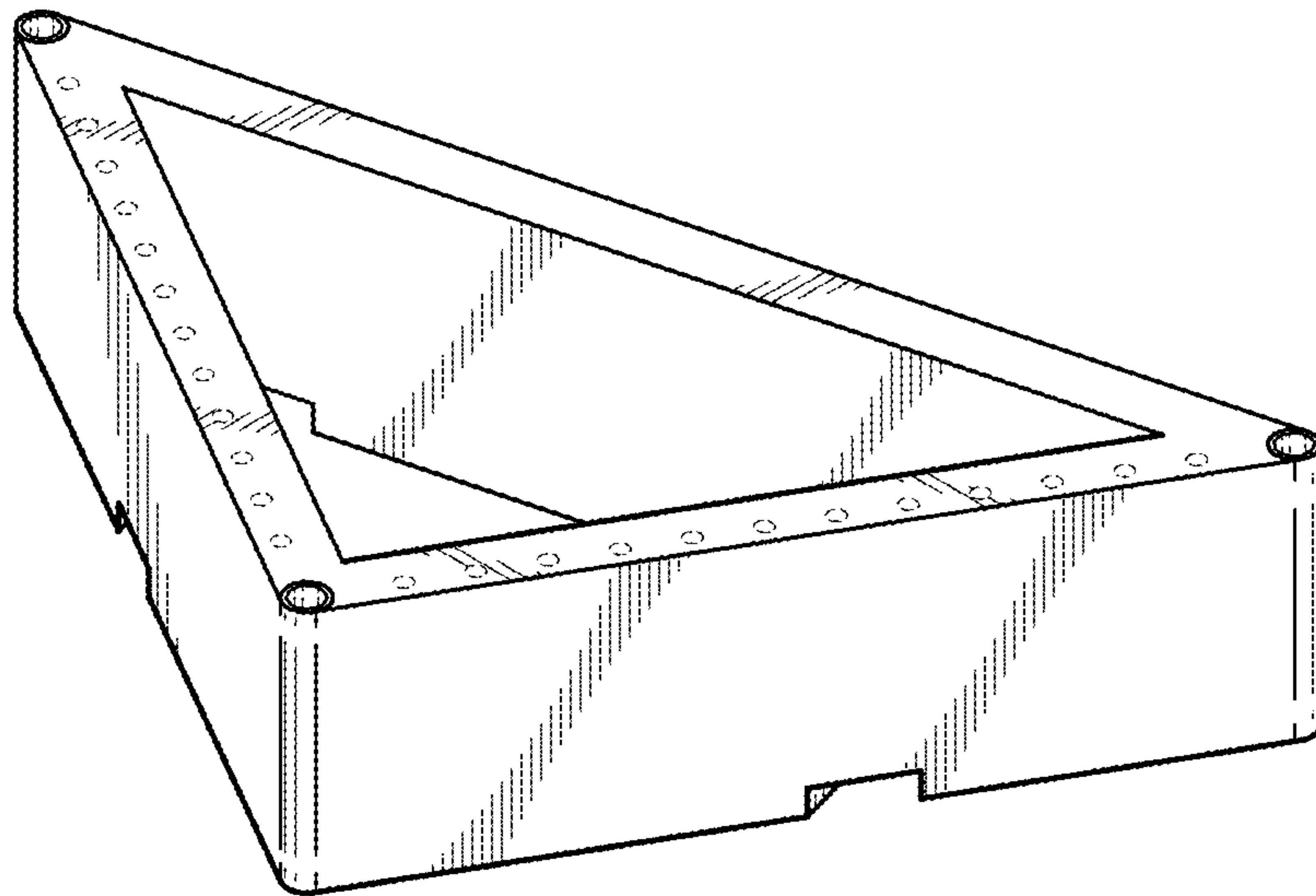
**References Cited**

## U.S. PATENT DOCUMENTS

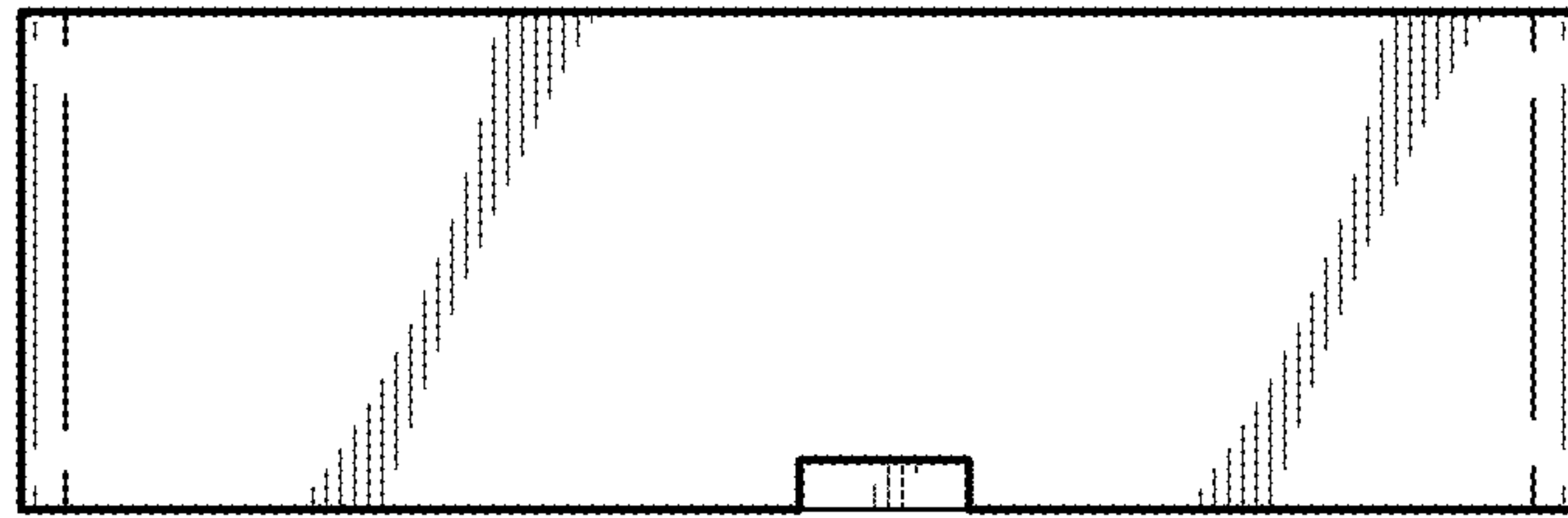
D621,965 S \* 8/2010 Ringus ..... D25/133  
D669,197 S \* 10/2012 Connor ..... D25/133  
D669,759 S \* 10/2012 Castilleja ..... D8/354  
8,574,089 B1 \* 11/2013 Bova ..... A63D 15/005  
473/40  
9,132,339 B1 \* 9/2015 Smith ..... A63D 15/005  
D747,888 S \* 1/2016 Olson ..... D6/300  
D752,775 S \* 3/2016 Stacey ..... D25/133  
D790,082 S \* 6/2017 Guinn ..... D25/133  
D817,537 S \* 5/2018 Clark ..... D26/88  
D819,792 S \* 6/2018 Garrels ..... D23/309  
D826,450 S \* 8/2018 Clark ..... D26/80  
D869,277 S \* 12/2019 Silva ..... D9/456  
D875,275 S \* 2/2020 Thomas ..... D25/133  
D881,418 S \* 4/2020 Noe ..... D25/133  
D884,928 S \* 5/2020 Gordon ..... D25/133  
D917,637 S \* 4/2021 Morales ..... D21/716  
2006/0079339 A1 \* 4/2006 Krajewski ..... A63D 15/005  
473/40  
2007/0191124 A1 \* 8/2007 Thorpe ..... A63D 15/005  
473/40  
2008/0039219 A1 \* 2/2008 Radake ..... A63D 15/005  
473/40  
2012/0302361 A1 \* 11/2012 Kaplan ..... A63D 15/005  
473/40  
2020/0086202 A1 \* 3/2020 Grishaj ..... A63D 15/005

\* cited by examiner

**FIG. 1**



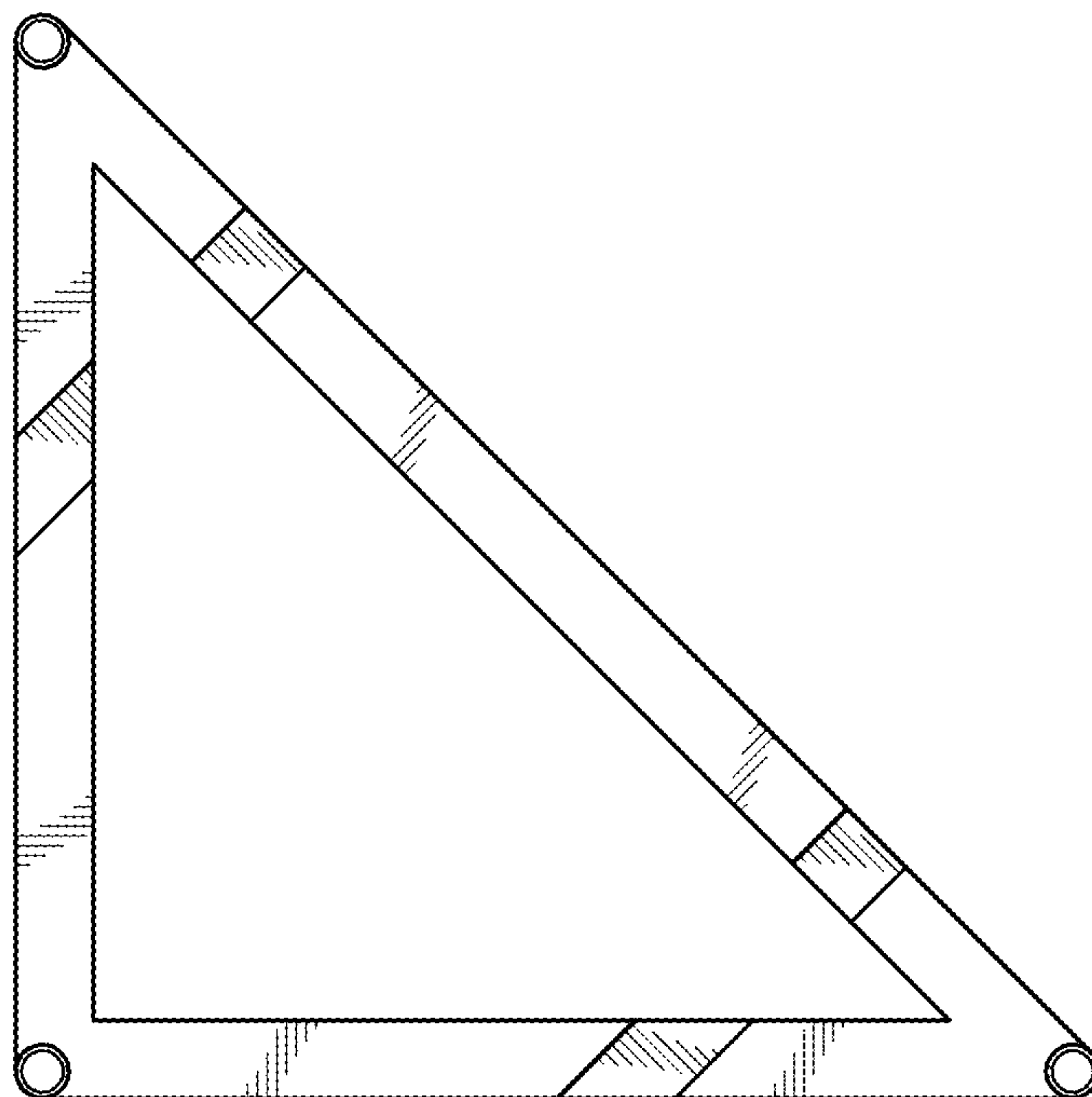
**FIG. 4**



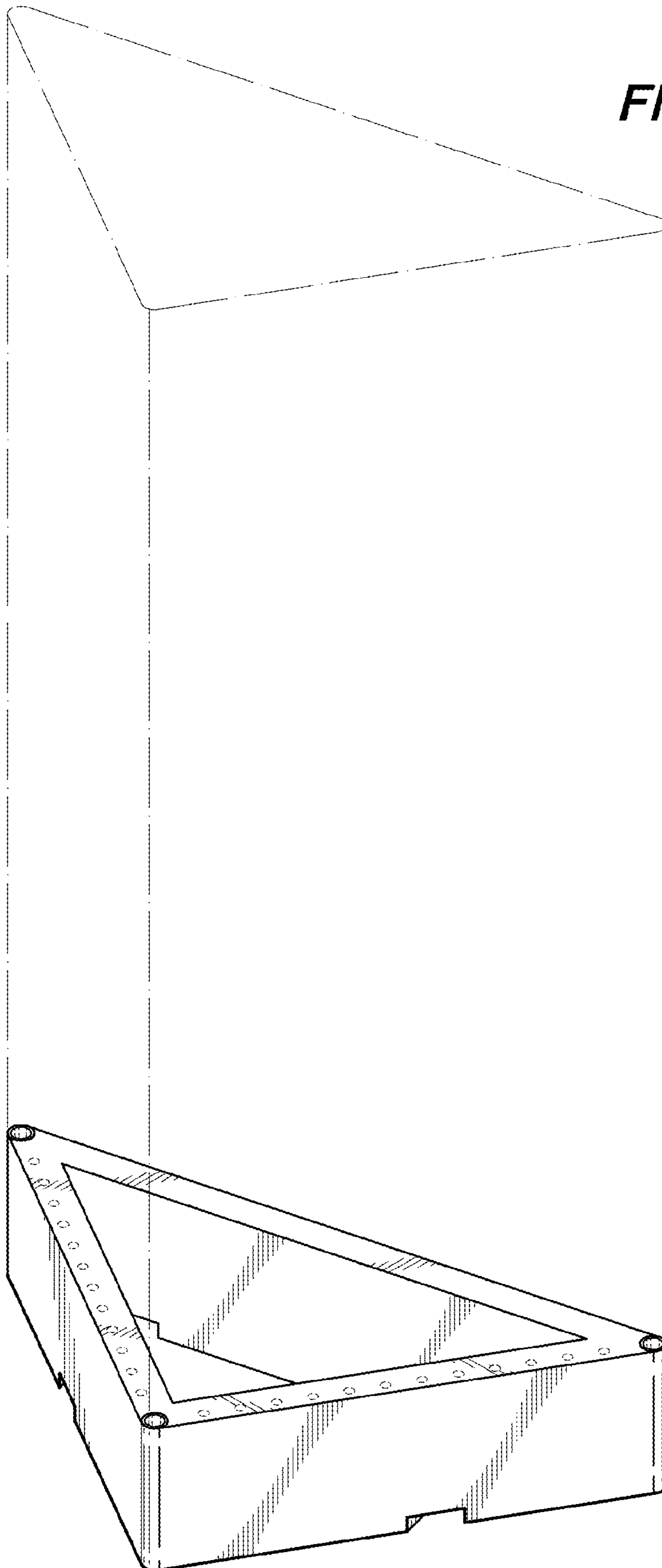
**FIG. 2**



**FIG. 3**



**FIG. 5**



**FIG. 6**