



US00D928346S

(12) **United States Design Patent** (10) **Patent No.:** **US D928,346 S**
Cube et al. (45) **Date of Patent:** **** Aug. 17, 2021**

(54) **STRUCTURAL MEMBER FOR A RACK**
(71) Applicant: **Sanmina Corporation**, San Jose, CA (US)
(72) Inventors: **Allan Cube**, Morgan Hill, CA (US); **Ren Baculi**, Milpitas, CA (US); **Glen Gommels**, Scottsdale, AZ (US)
(73) Assignee: **Sanmina Corporation**, San Jose, CA (US)
(**) Term: **15 Years**
(21) Appl. No.: **29/705,988**
(22) Filed: **Sep. 17, 2019**
(51) **LOC (13) Cl.** **25-01**
(52) **U.S. Cl.**
USPC **D25/126**
(58) **Field of Classification Search**
USPC D25/1-25, 125-136, 60, 61, 119, 121, 256/19, 22, 65.01
D25/124, 138, 164; 52/846, 582.1, 762;
CPC E04C 2003/0482; E04C 2003/0434; E04H 17/1413; E04H 17/063; E04H 17/16; E04H 17/20; E04H 2017/1452; E04H 17/1421; E04B 2/7881
See application file for complete search history.

(56) **References Cited**
U.S. PATENT DOCUMENTS
2,939,589 A * 6/1960 Bellon F16B 12/50 108/147.15
3,479,974 A * 11/1969 Ferdinand F16B 12/32 108/147.15
D374,579 S * 10/1996 Nilsson D6/709

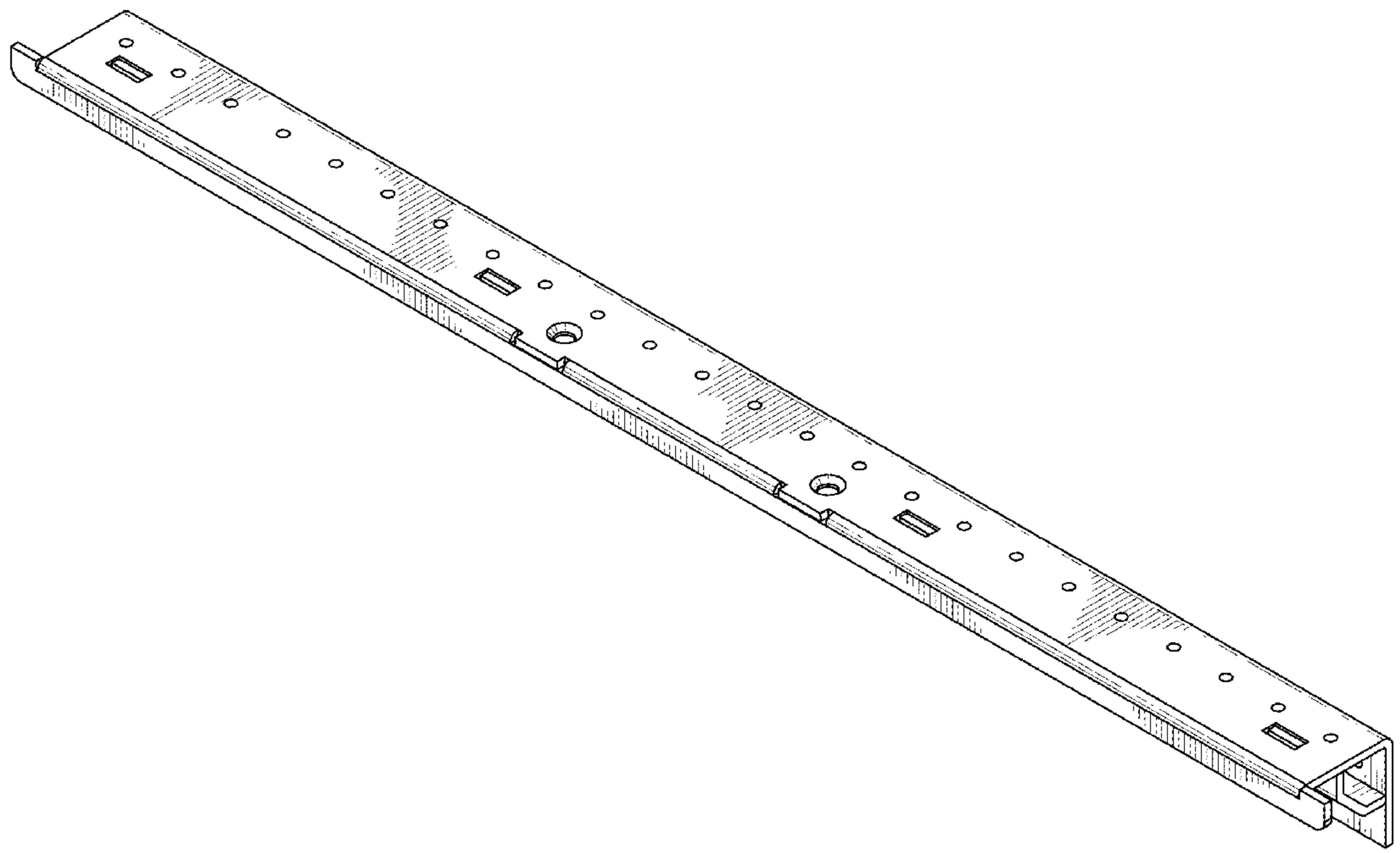
5,918,750 A * 7/1999 Jackson A47F 5/137 211/189
D489,832 S * 5/2004 Koenig, Jr. D25/136
6,974,037 B2 * 12/2005 Haney H05K 7/1421 211/183
7,421,829 B2 * 9/2008 Gwynn E04F 21/18 52/749.1
D610,717 S * 2/2010 Lin E04H 12/2261 D25/133
D639,585 S * 6/2011 Shen D6/712
D639,586 S * 6/2011 Selinger D6/712
D639,587 S * 6/2011 Selinger D6/712
D730,545 S * 5/2015 Stauffer D25/133
D732,708 S * 6/2015 Stauffer D25/133
D754,886 S * 4/2016 Koenig, Jr. D25/164
D888,285 S * 6/2020 Baltz, Jr. D25/55
D893,762 S * 8/2020 Lake D25/124
2002/0153341 A1 * 10/2002 May A47B 57/408 211/192

* cited by examiner
Primary Examiner — Samantha Q Lawrence
(74) *Attorney, Agent, or Firm* — Loza & Loza, LLP; Heidi Eisenhut

(57) **CLAIM**
The ornamental design for a structural member for a rack, as shown and described.

DESCRIPTION
FIG. 1 is a perspective view of a structural member for a rack showing my new design;
FIG. 2 is a first side elevation view thereof;
FIG. 3 is a second side elevation view thereof;
FIG. 4 is a third side elevation view thereof;
FIG. 5 is a fourth side elevation view thereof;
FIG. 6 is a top plan view thereof; and,
FIG. 7 is a bottom plan view thereof.

1 Claim, 3 Drawing Sheets



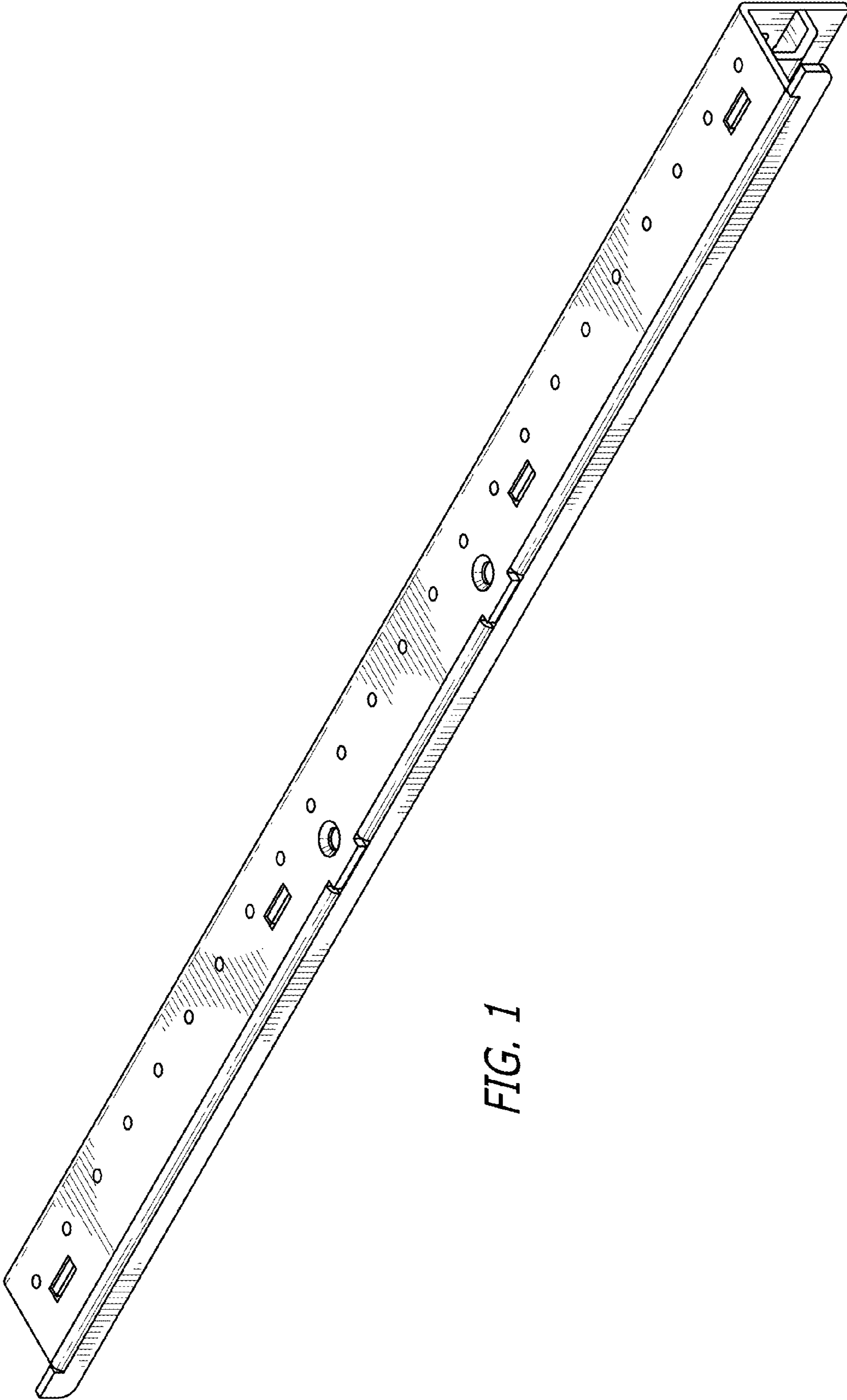


FIG. 1

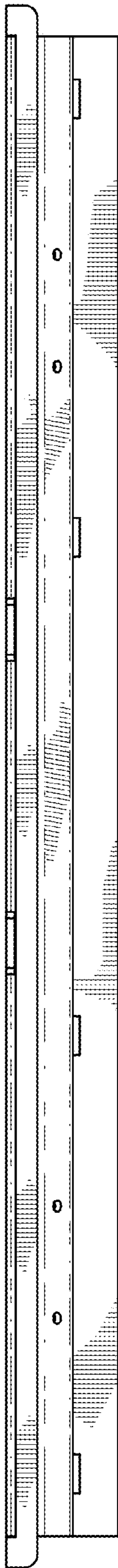


FIG. 2

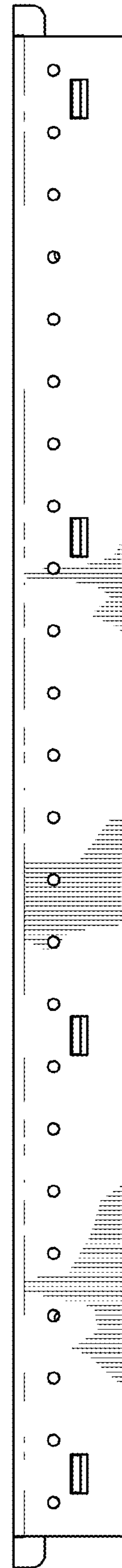


FIG. 3

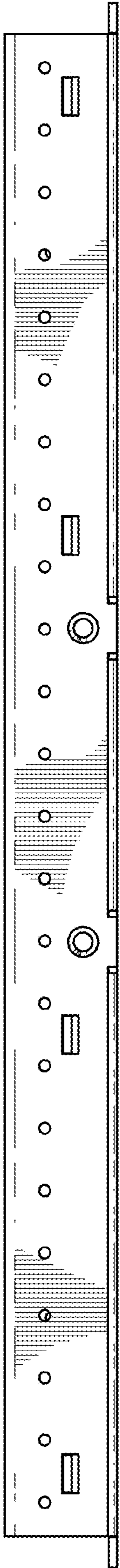


FIG. 4

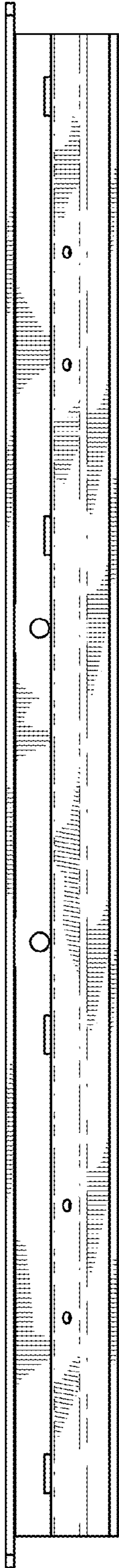


FIG. 5

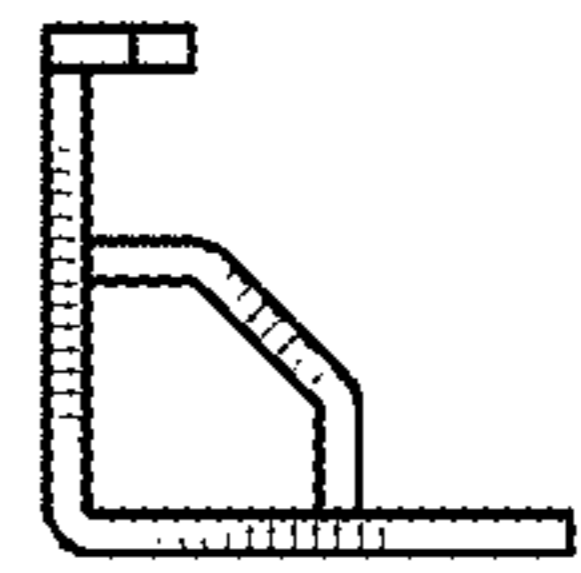


FIG. 6

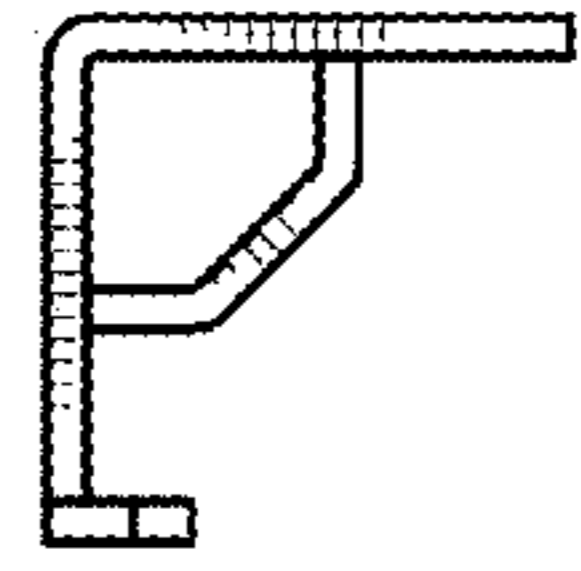


FIG. 7