



US00D928343S

(12) **United States Design Patent** (10) **Patent No.:** **US D928,343 S**
Bonnoitt, Jr. et al. (45) **Date of Patent:** **** *Aug. 17, 2021**

(54) **THERMOFORMED CONTAINER**
(71) Applicant: **Integra Biosciences AG**, Zizers (CH)
(72) Inventors: **George K. Bonnoitt, Jr.**, Amherst, NH (US); **Christopher LaCroix**, Bedford, NH (US)
(73) Assignee: **Integra Biosciences AG**, Zizers (CH)
(*) Notice: This patent is subject to a terminal disclaimer.
(**) Term: **15 Years**
(21) Appl. No.: **29/714,772**
(22) Filed: **Nov. 26, 2019**
(51) **LOC (13) Cl.** **24-01**
(52) **U.S. Cl.**
USPC **D24/227**
(58) **Field of Classification Search**
USPC D24/216, 219, 223–233, 186, 107, 121;
D10/81; D3/294; D9/425
CPC B01L 9/06; B01L 9/065; B01L 9/54; B01L 9/523; B01L 9/527; B01L 9/543; B01L 9/547; B01L 3/5085; B01L 3/5027; B01D
(Continued)

(56) **References Cited**
U.S. PATENT DOCUMENTS
5,392,914 A 2/1995 Lemieux et al.
5,642,816 A 7/1997 Kelly et al.
(Continued)

OTHER PUBLICATIONS
Pipette Tip Rack | Pipette Tip Box | Mettler Toledo. Retrieved on Apr. 21, 2021 from website at <https://www.mt.com/GB/en/home/products/pipettes/bioclean-pipette-tip/packaging/racks.html>.
(Continued)

Primary Examiner — Anhdao Doan
(74) *Attorney, Agent, or Firm* — Andrus Intellectual Property Law

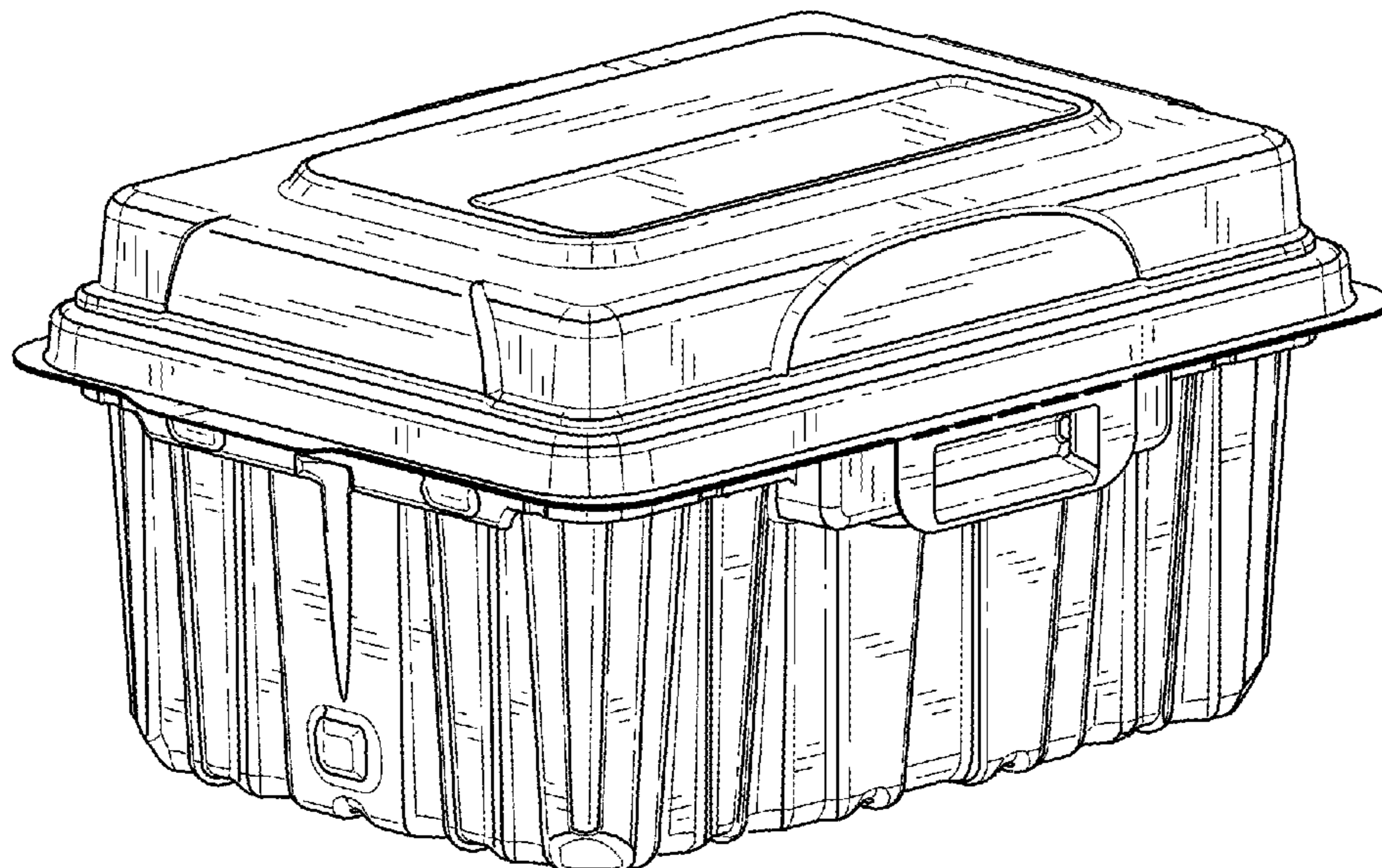
(57) **CLAIM**

The ornamental design for a thermoformed container, as shown and described.

DESCRIPTION

FIG. 1 is a front perspective view of a first embodiment of a thermoformed container showing the new design; FIG. 2 is a front side elevation view of the first embodiment; FIG. 3 is a rear side elevation view of the first embodiment; FIG. 4 is a left side elevation view of the first embodiment; FIG. 5 is a right side elevation view of the first embodiment; FIG. 6 is a top plan view of the first embodiment; FIG. 7 is a bottom plan view of the first embodiment; FIG. 8 is a front perspective view of the first embodiment showing a front latch in an unlatched position; FIG. 9 is a front perspective view of a second embodiment of a thermoformed container showing the new design, wherein the container is made of a transparent material; FIG. 10 is a front side elevation view of the second embodiment; FIG. 11 is a rear side elevation view of the second embodiment; FIG. 12 is a left side elevation view of the second embodiment; FIG. 13 is a right side elevation view of the second embodiment; FIG. 14 is a top plan view of the second embodiment; FIG. 15 is a bottom plan view of the second embodiment; and, FIG. 16 is a front perspective view of the second embodiment showing a front latch in an unlatched position.

1 Claim, 16 Drawing Sheets



(58) **Field of Classification Search**

CPC 1/14; G01N 2035/0425; G01N 2200/16;
G01N 2200/18

See application file for complete search history.

(56) **References Cited**

U.S. PATENT DOCUMENTS

6,019,225	A	2/2000	Kalmakis et al.	
6,098,819	A	8/2000	Link	
6,286,678	B1	9/2001	Petrek	
D451,278	S *	12/2001	Cooper	D3/294
D587,110	S *	2/2009	Kronshage	D24/227
D604,604	S *	11/2009	Strange	D9/424
D724,236	S *	3/2015	Motadel	D24/227
9,352,324	B2	5/2016	Rethwisch et al.	
9,617,036	B2	4/2017	Baker	
D873,436	S *	1/2020	O'Connell	D24/229
D886,321	S *	6/2020	Motadel	D24/229
D888,280	S *	6/2020	Motadel	D24/229
D893,292	S *	8/2020	Lam	B65D 21/0233 D9/425

2014/0234182	A1 *	8/2014	Motadel	B01L 9/543 422/526
2014/0271412	A1 *	9/2014	Hovatter	B65D 43/22 422/564
2015/0367349	A1	12/2015	Leinonen et al.	
2017/0217637	A1	8/2017	Auerbach	
2018/0353955	A1 *	12/2018	Kelly	B01L 3/50853
2019/0275528	A1	9/2019	Rethwisch et al.	
2019/0299217	A1 *	10/2019	Motadel	B65D 25/108

OTHER PUBLICATIONS

BioClean™ Pipette Racks | Recycled Materials | Mettler Toledo Rainin. Retrieved on Apr. 21, 2021 from website at <https://www.mt.com/us/en/home/products/pipettes/bioclean-pipette-tip/packaging.html>.*

Liquid Handling Brochure, Consumables Peak Perfection, Eppendorf AG, 2018.

Mettler Toledo website for BioClean Pipette Racks: <https://www.mt.com/us/en/home/products/pipettes/bioclean-pipette-tip/packaging>, viewed Mar. 18, 2020.

Terrarack Data Sheet, Rainin Instrument, LLC, Mar. 2015.

* cited by examiner

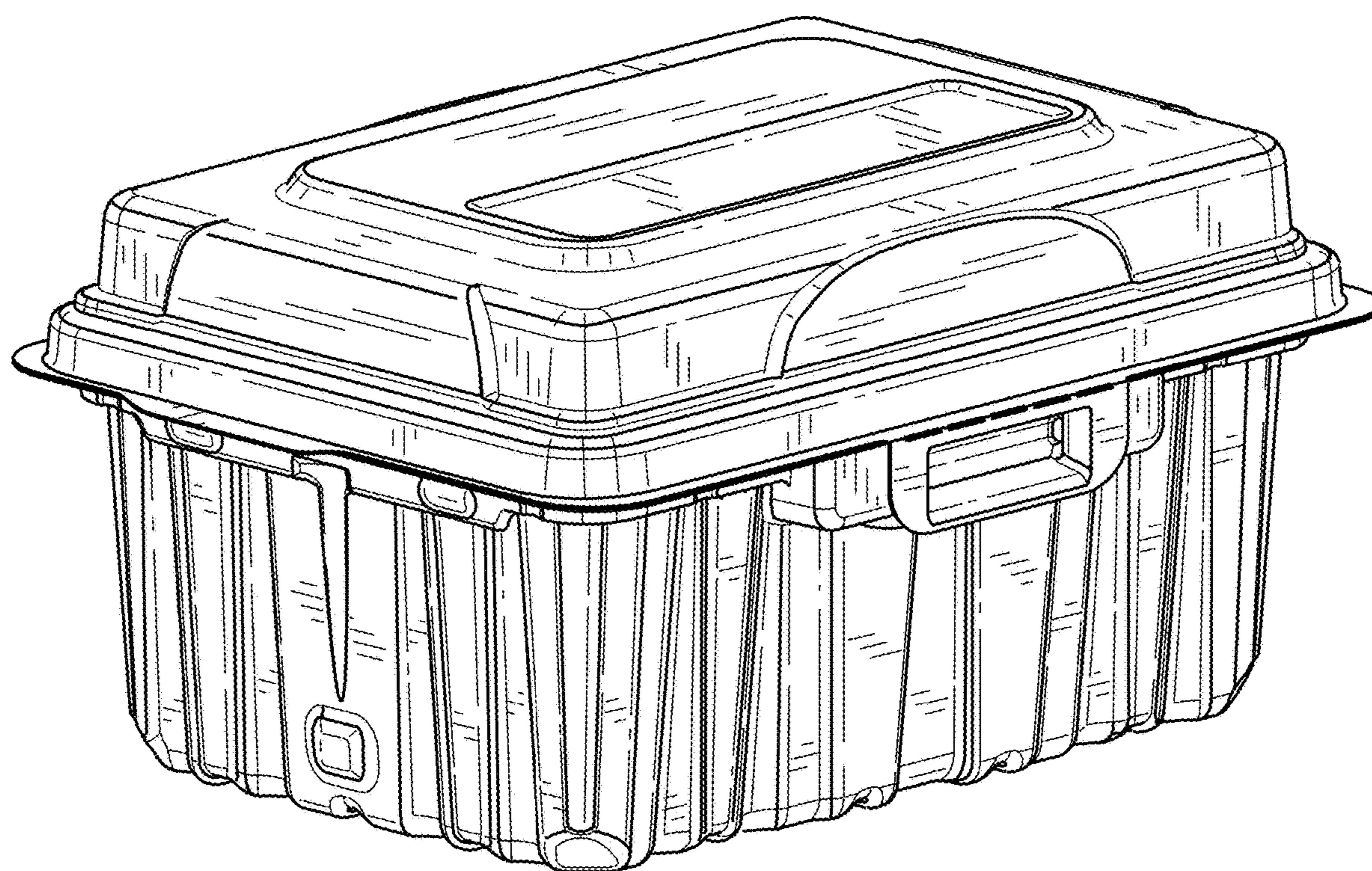


FIG. 1

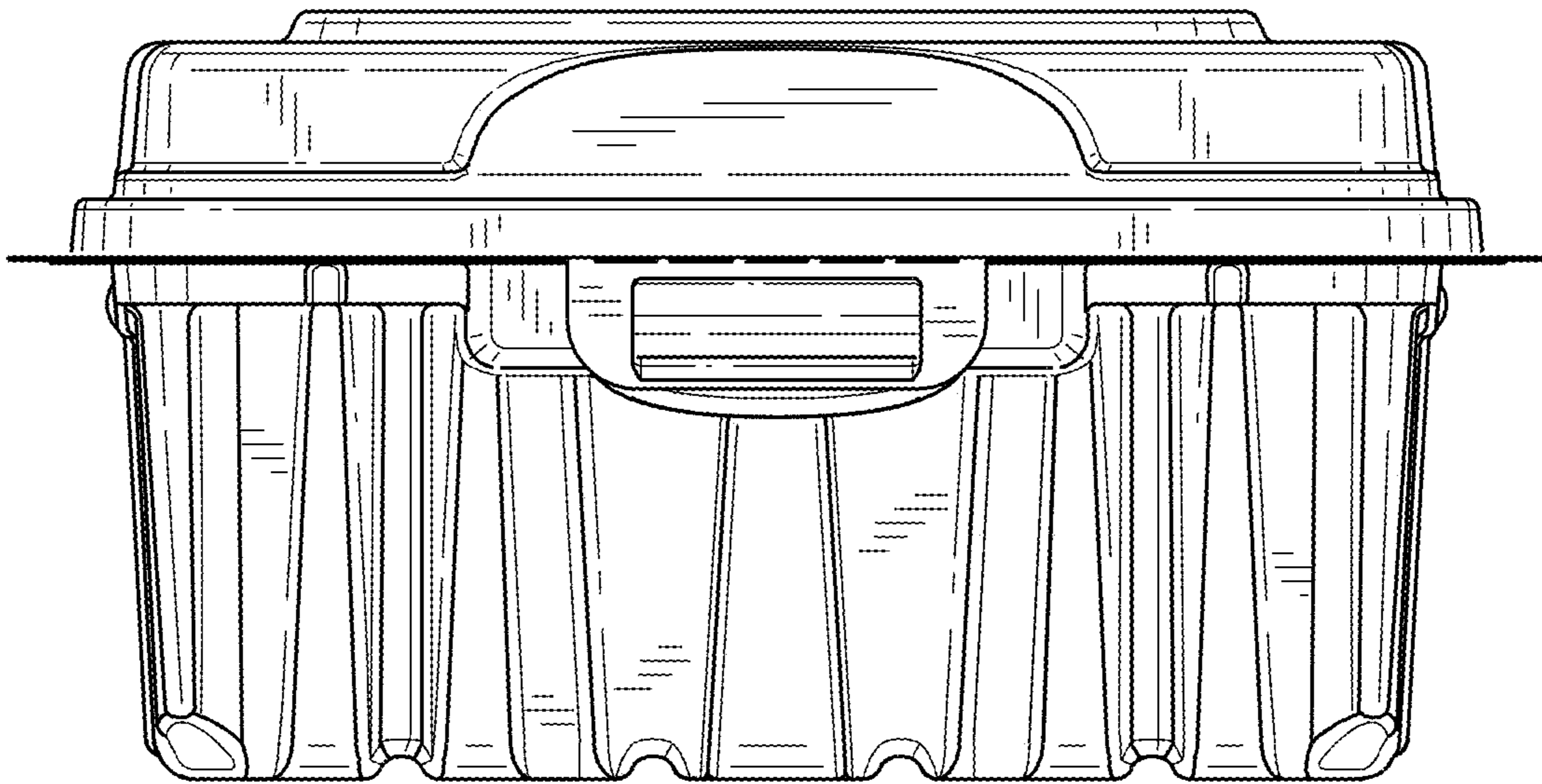


FIG. 2

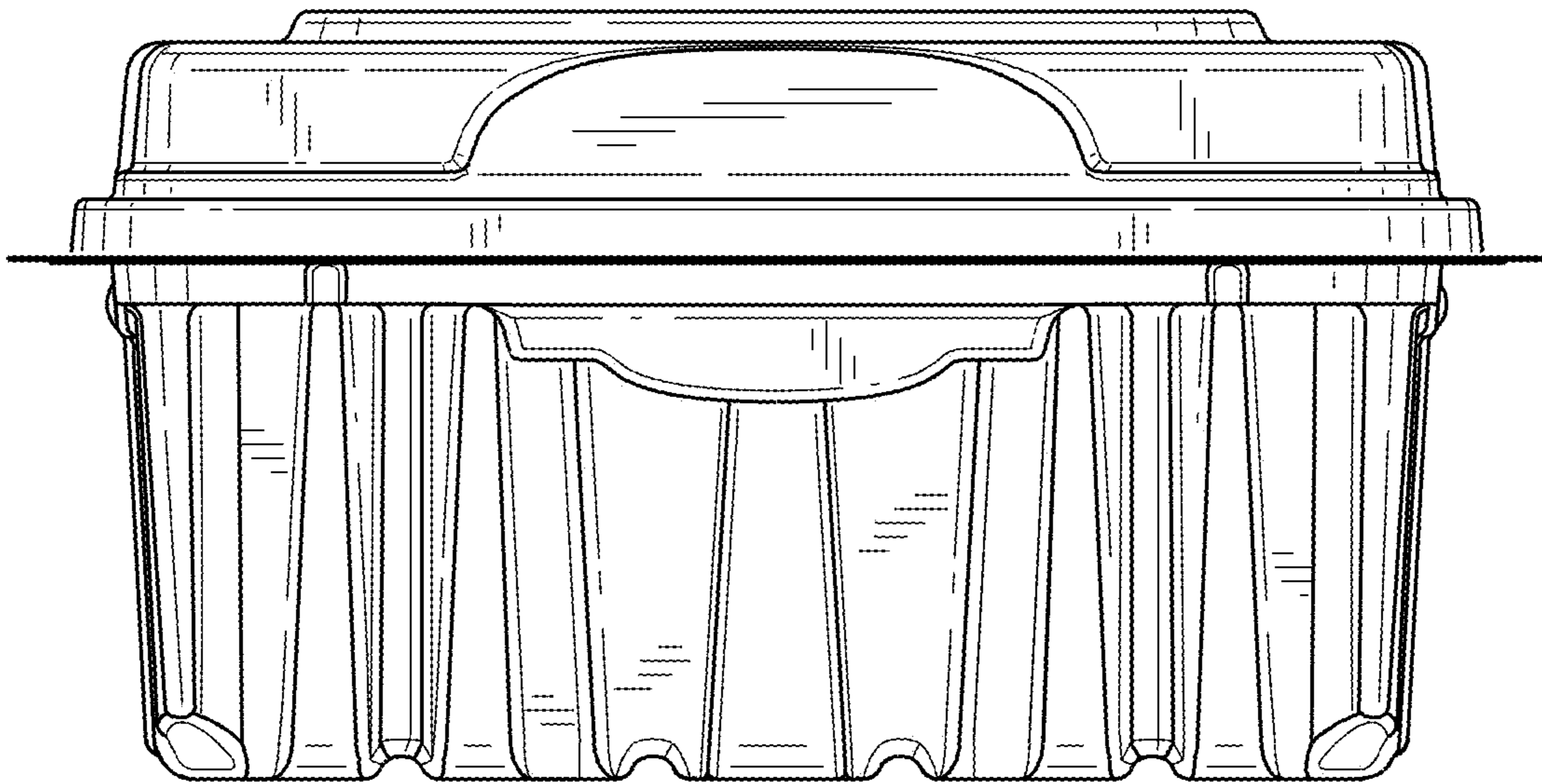


FIG. 3

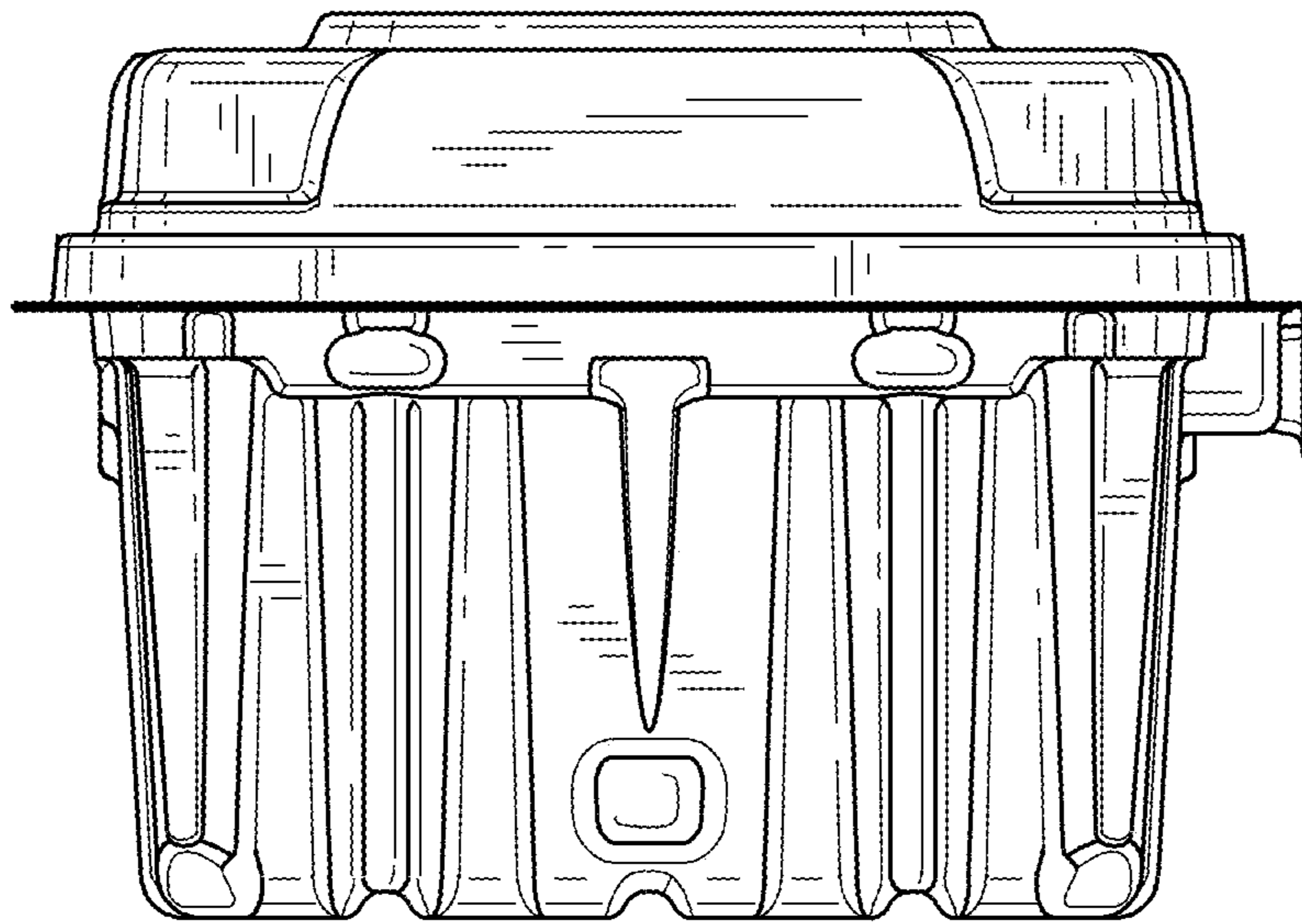


FIG. 4

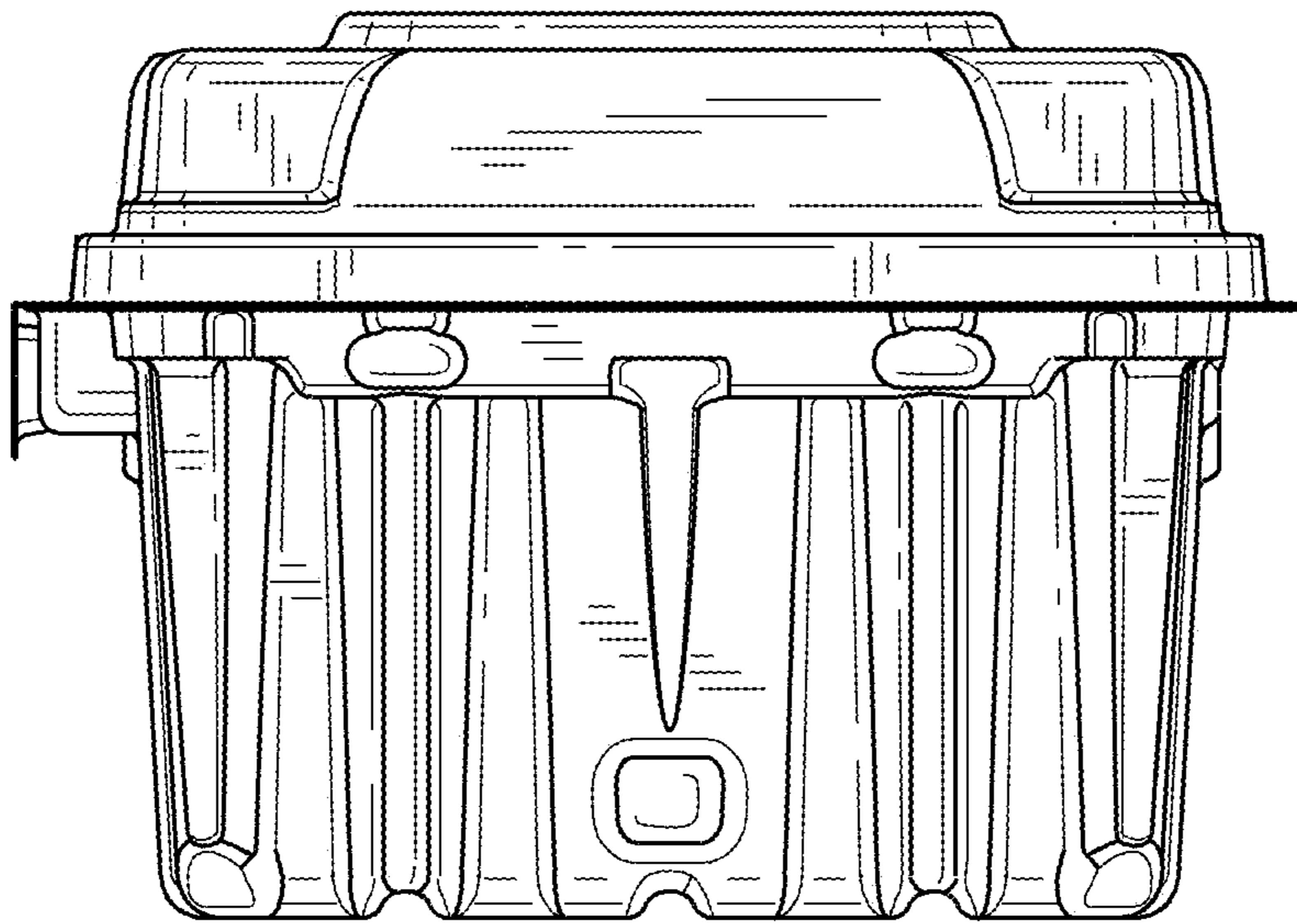


FIG. 5

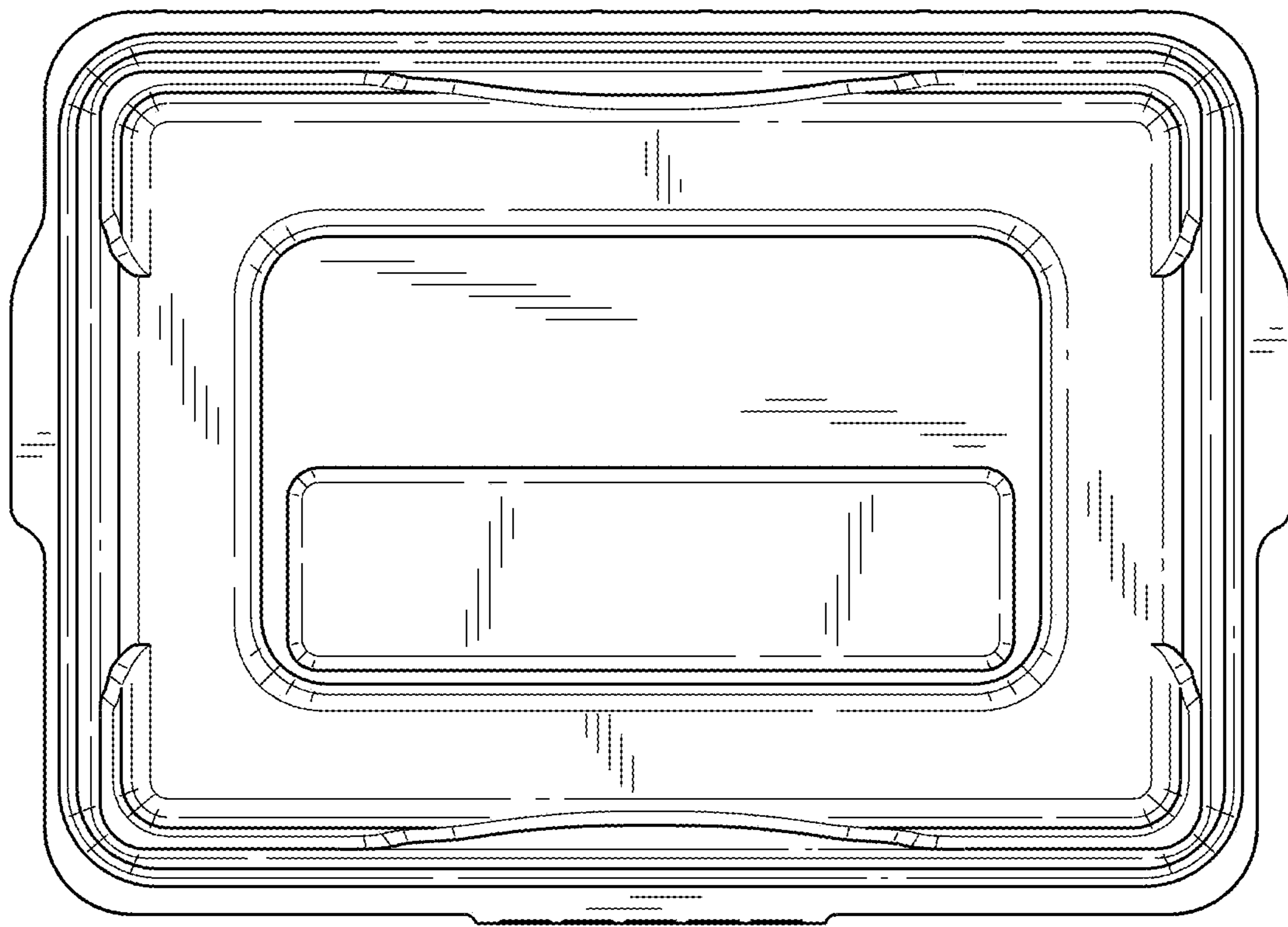


FIG. 6

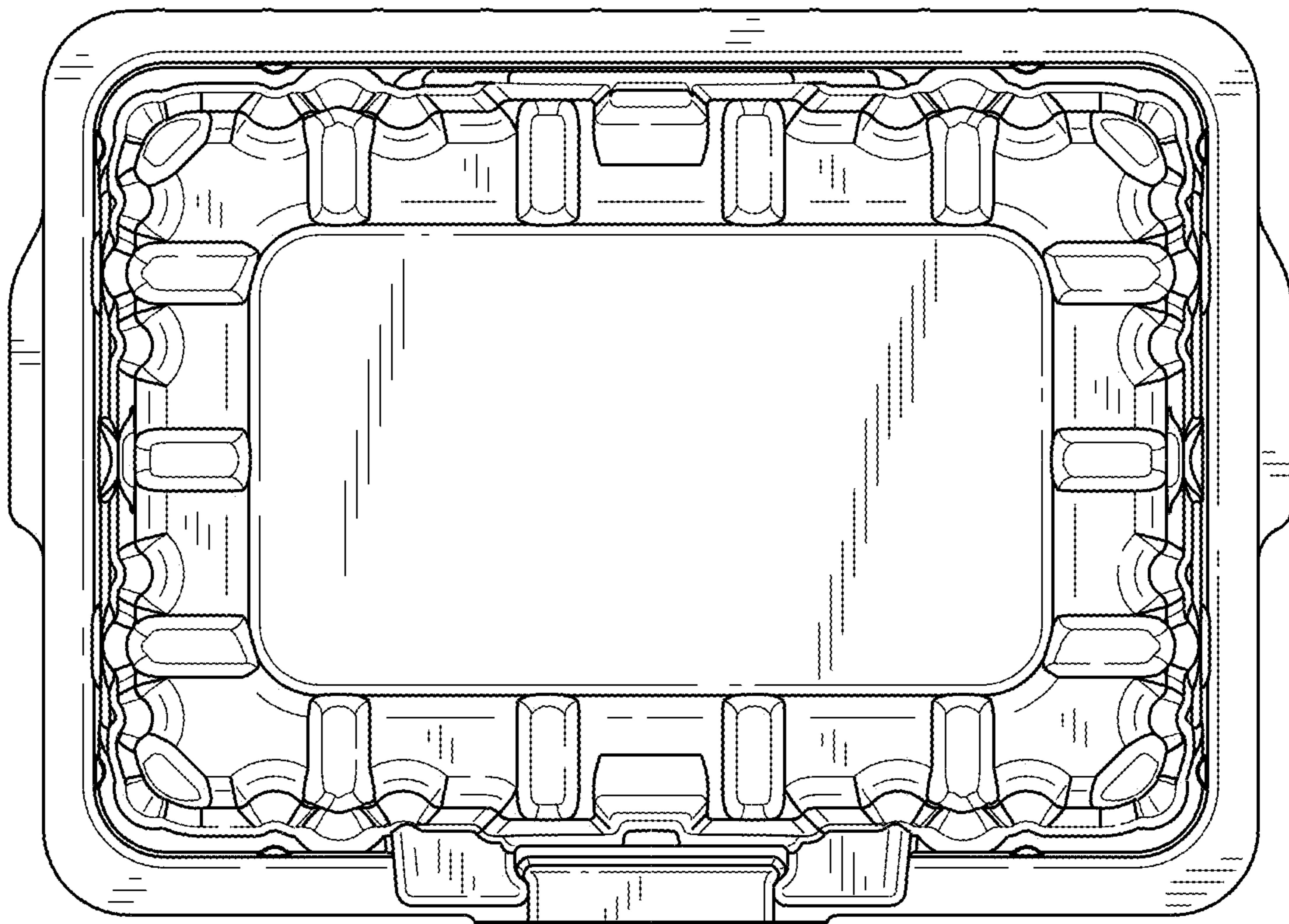


FIG. 7

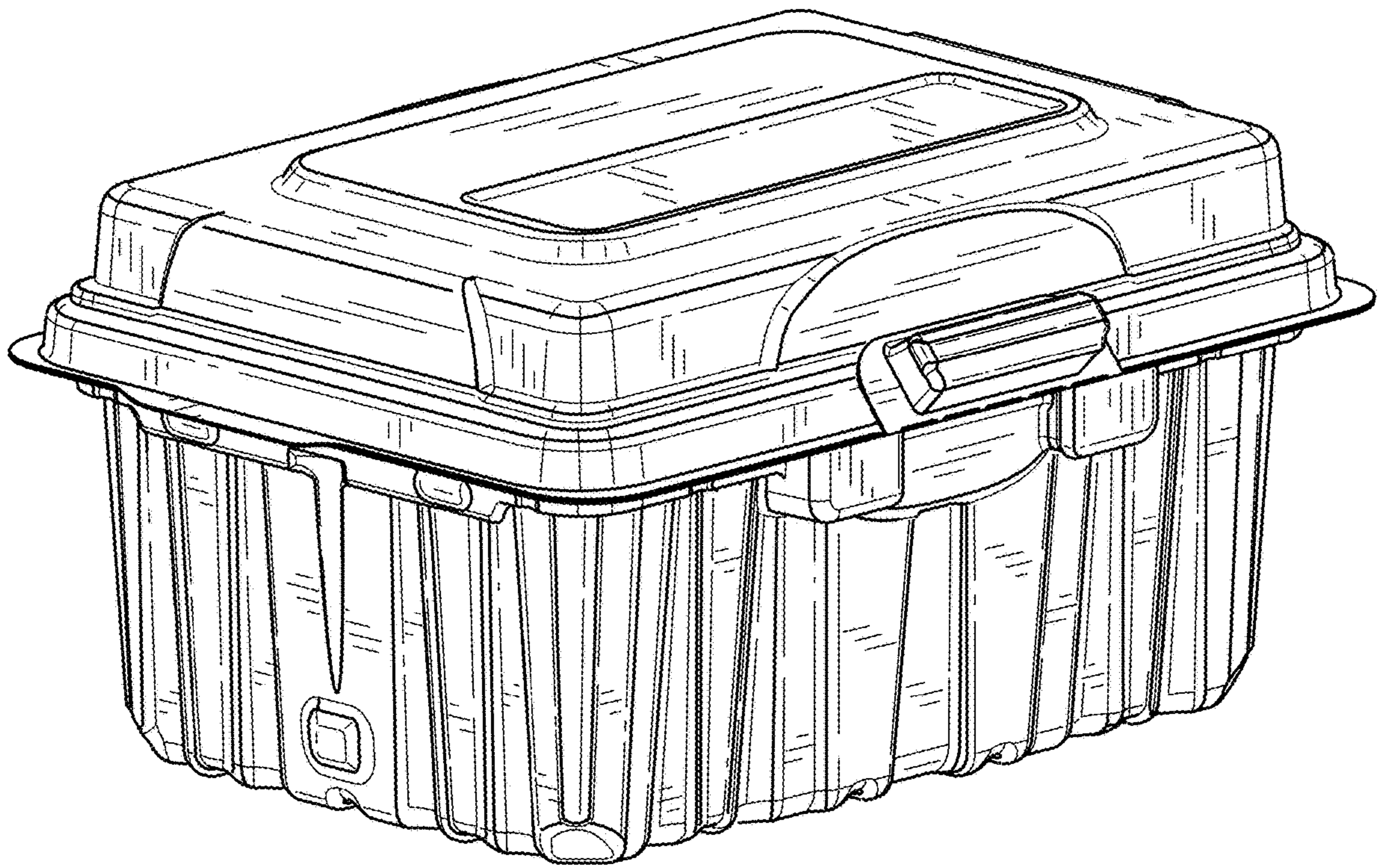


FIG. 8

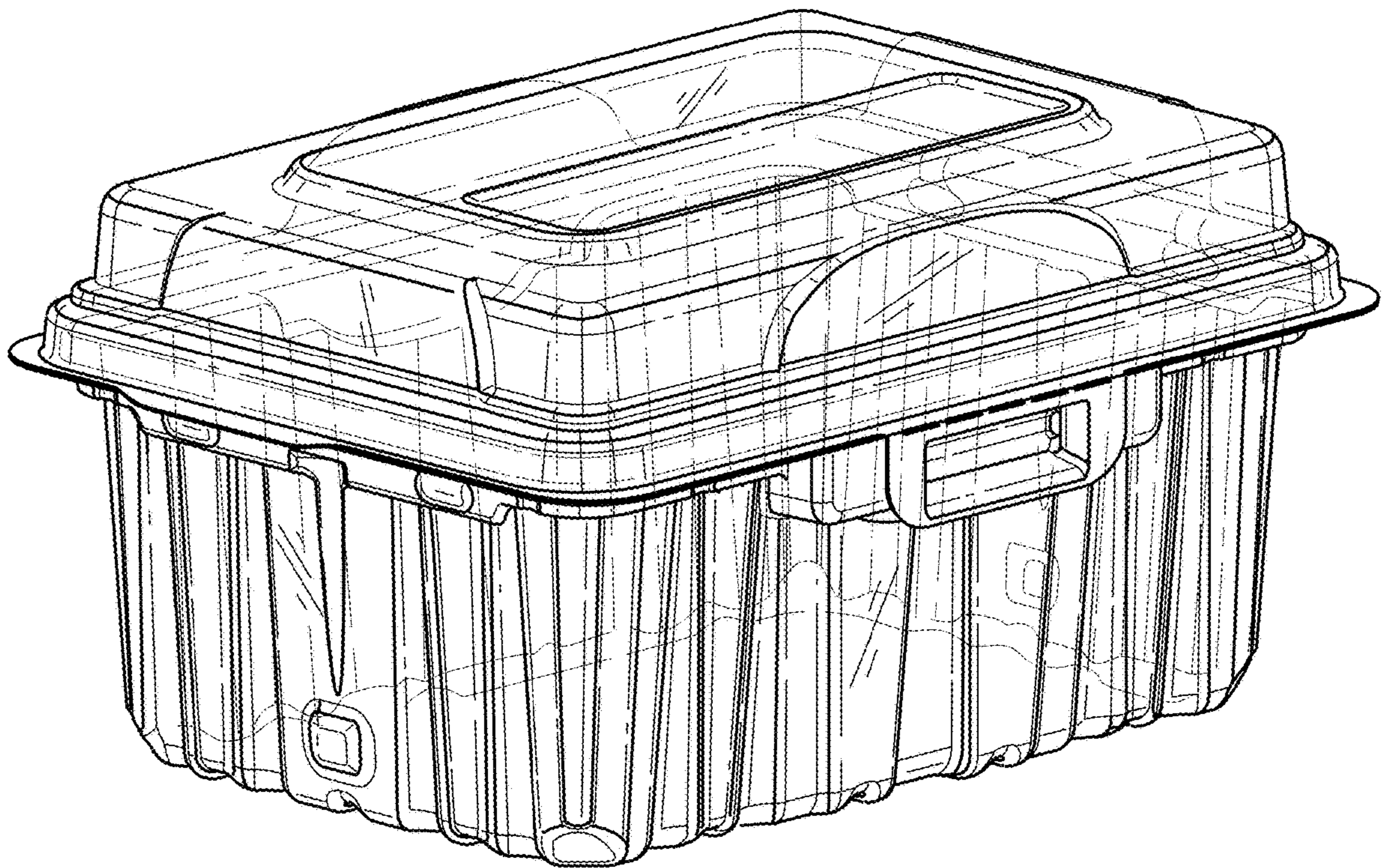


FIG. 9

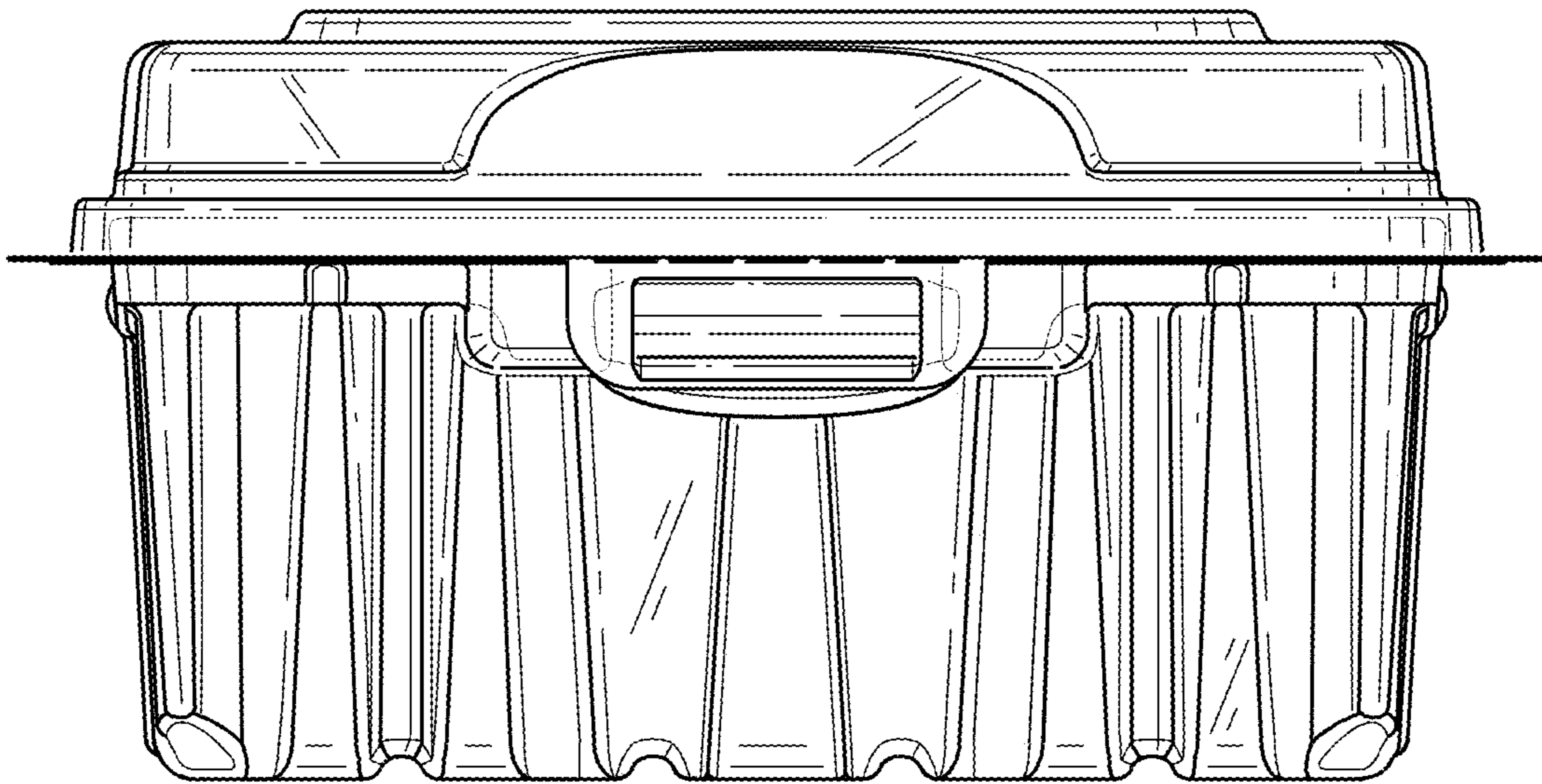


FIG. 10

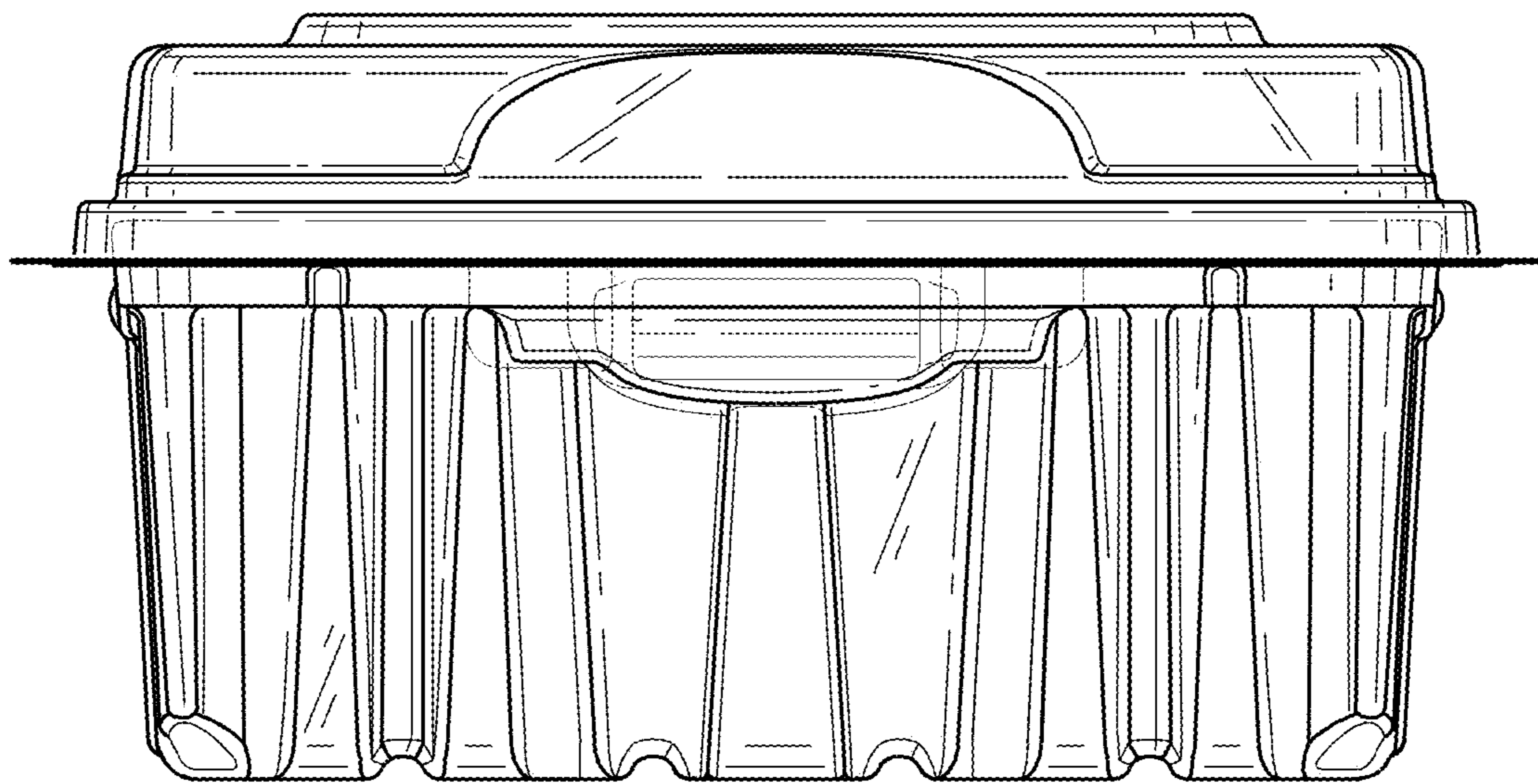


FIG. 11

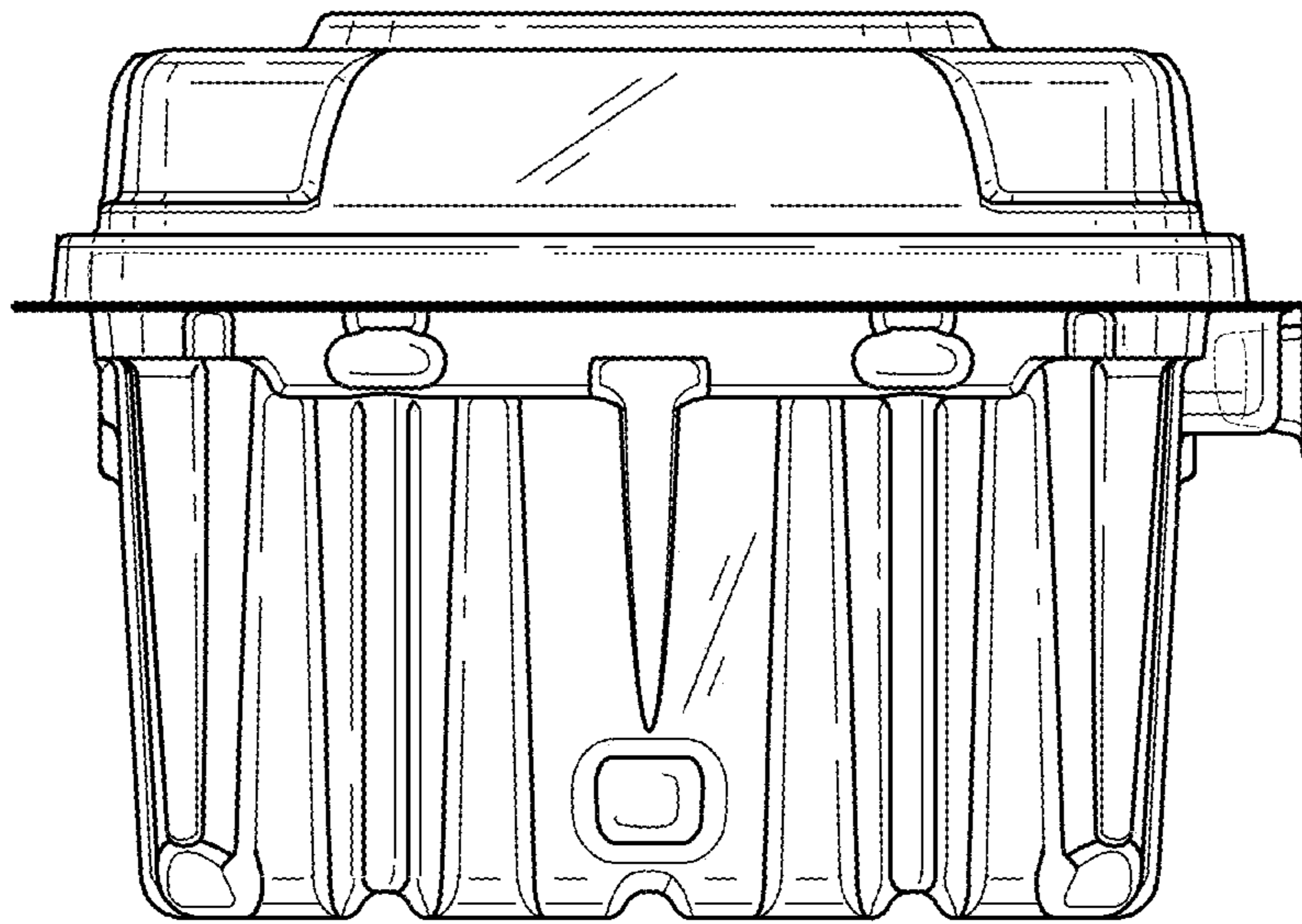


FIG. 12

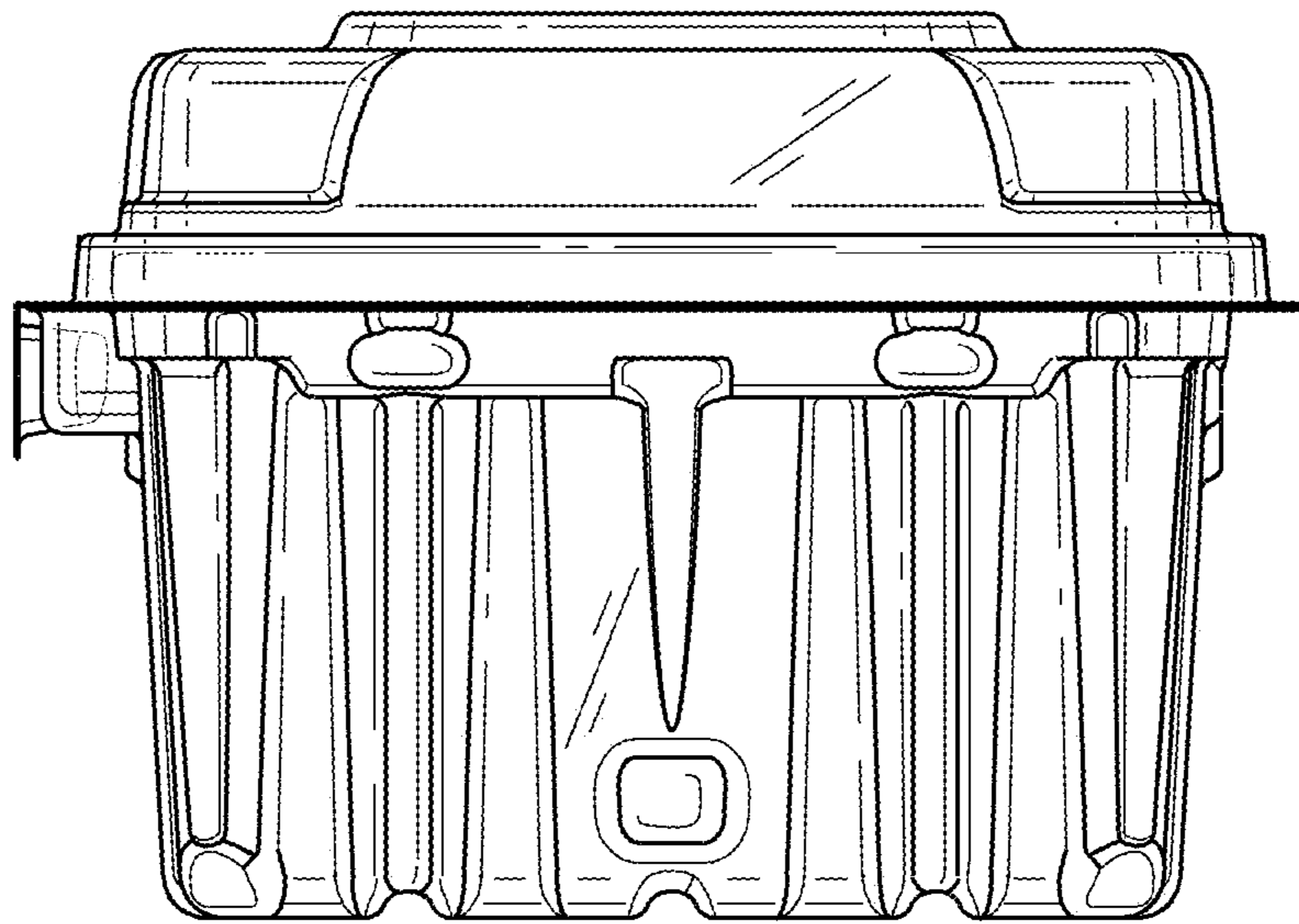


FIG. 13

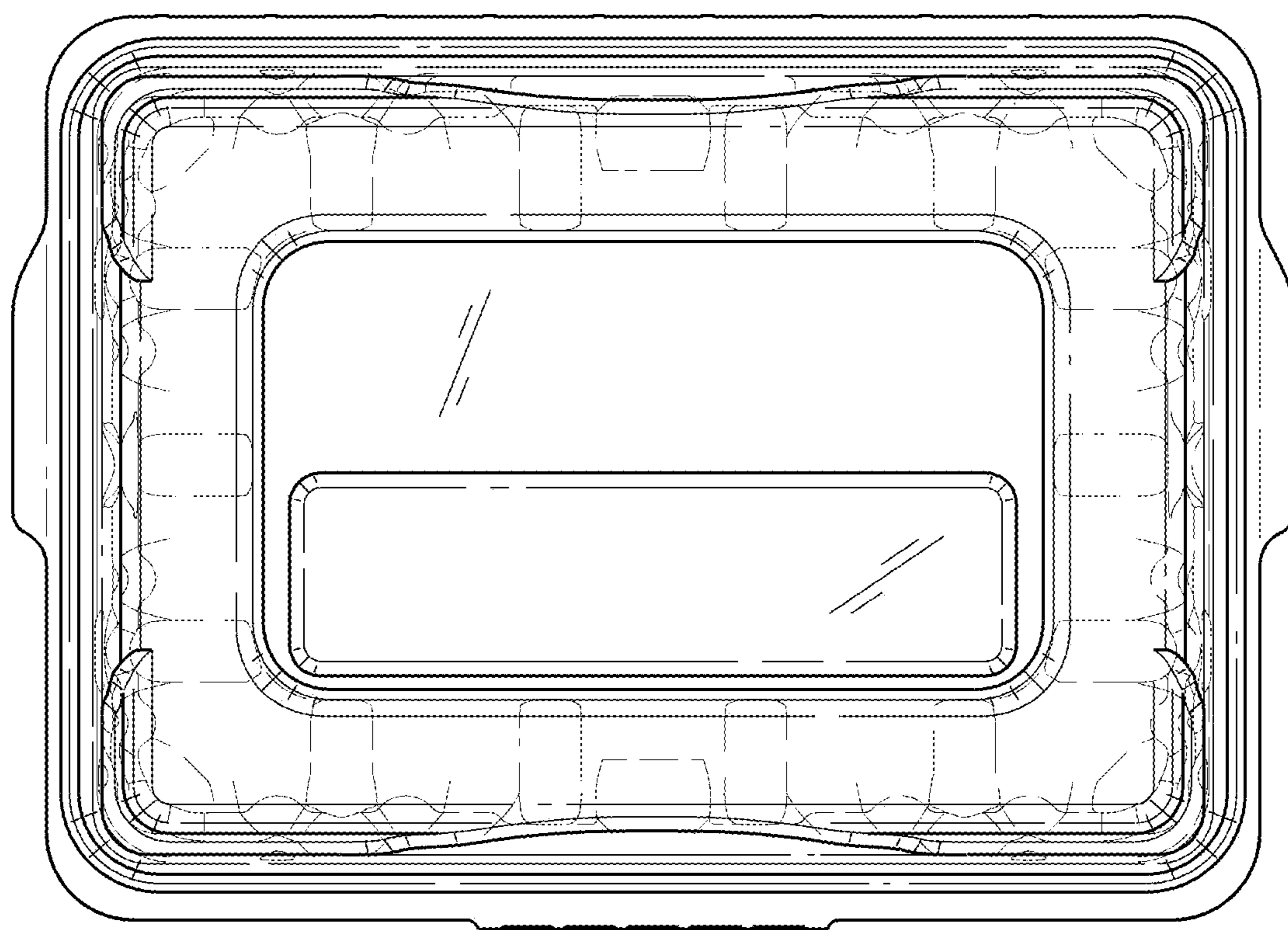


FIG. 14

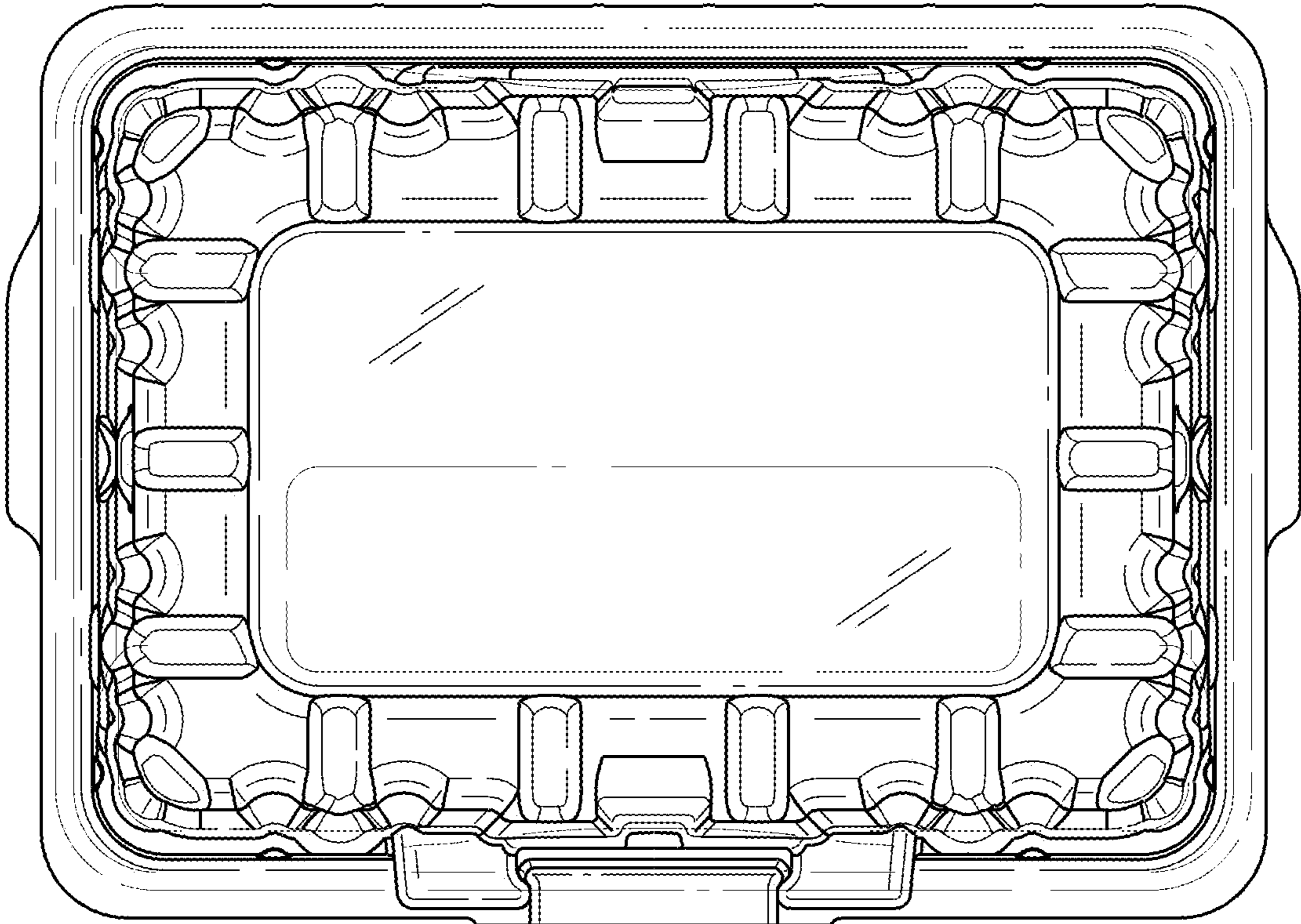


FIG. 15

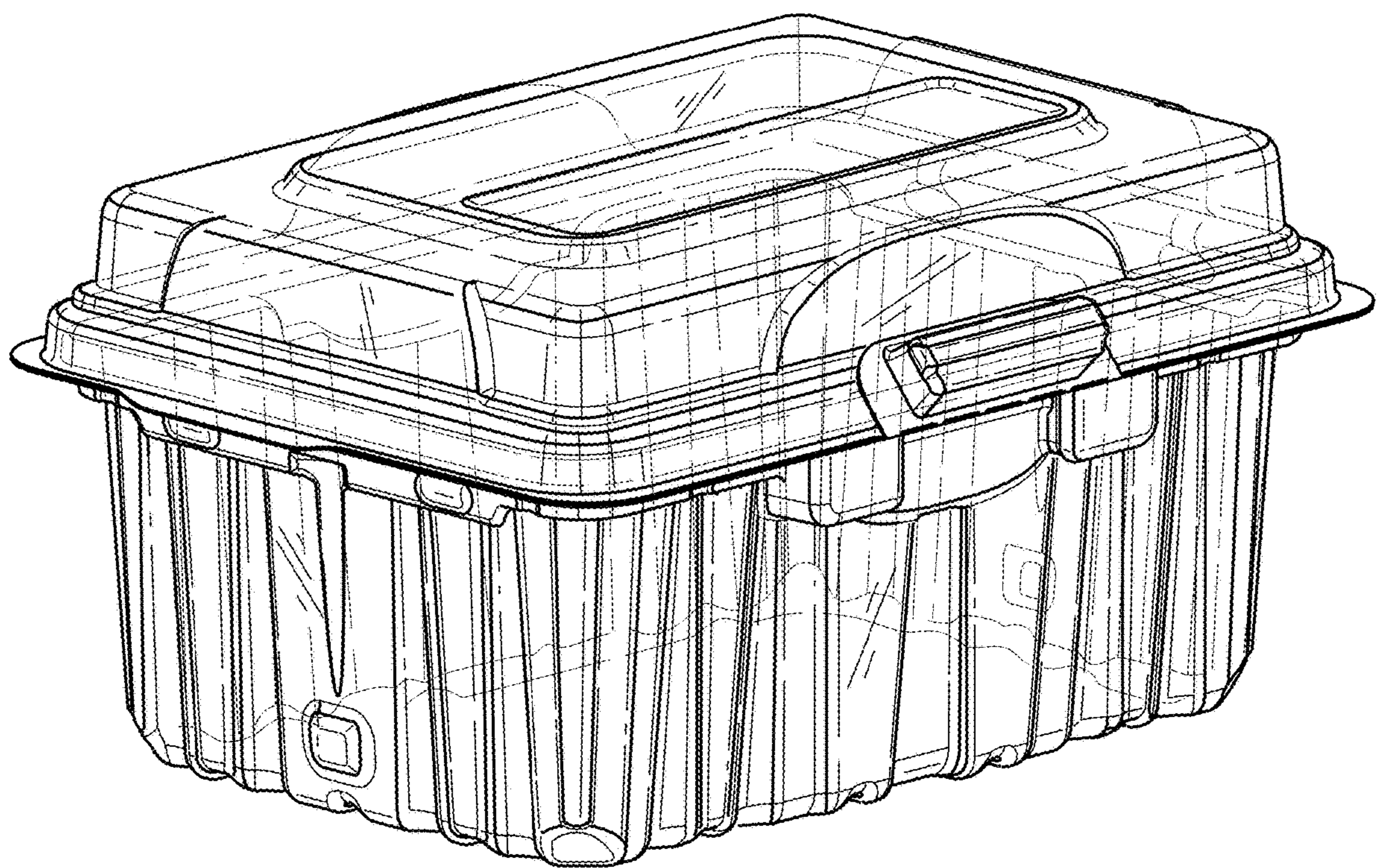


FIG. 16