



US00D928342S

(12) **United States Design Patent** (10) **Patent No.:** **US D928,342 S**  
**Murray** (45) **Date of Patent:** **\*\* Aug. 17, 2021**

- (54) **VIAL**
- (71) Applicant: **Pouch Pac Innovations, LLC**,  
Sarasota, FL (US)
- (72) Inventor: **R. Charles Murray**, Sarasota, FL (US)
- (73) Assignee: **Pouch Pac Innovations, LLC**,  
Sarasota, FL (US)
- (\*\*) Term: **15 Years**
- (21) Appl. No.: **29/715,724**
- (22) Filed: **Dec. 4, 2019**
- (51) **LOC (13) Cl.** ..... **24-02**
- (52) **U.S. Cl.**  
USPC ..... **D24/224**; D24/115
- (58) **Field of Classification Search**  
USPC ..... D24/169, 216, 222–226, 231, 232, 115;  
D9/500, 537, 539, 544, 545, 549, 558,  
D9/574; D3/203.1–203.8  
CPC ..... A61J 1/1425; B65D 51/002; B65D 39/00;  
B65D 1/00; B65D 1/02; B65D 1/023;  
B65D 75/5811; G01N 21/718; C03C  
3/091; B01L 3/5021; B01L 3/50825;  
B41F 17/22; B41F 17/08  
See application file for complete search history.

- (56) **References Cited**  
U.S. PATENT DOCUMENTS  
D249,958 S \* 10/1978 Meierhoefer ..... D24/117  
D259,213 S \* 5/1981 Pagels ..... D24/224  
D262,942 S 2/1982 DiPisa, Sr.  
D263,074 S 2/1982 Mason  
4,392,577 A \* 7/1983 Maekawa ..... A61J 1/065  
215/49  
D312,209 S \* 11/1990 Morrow ..... D9/443  
D362,390 S \* 9/1995 Weiler ..... D24/115  
D375,352 S 11/1996 Bologna

- D392,184 S \* 3/1998 Weiler ..... D9/696
- D467,336 S 12/2002 Gilbard et al.
- D471,628 S \* 3/2003 Louviere ..... D24/115
- D492,407 S 6/2004 Masuda et al.
- D498,666 S 11/2004 Mitchell
- 6,832,703 B1 \* 12/2004 Scott ..... B67B 7/92  
222/1
- D539,903 S 4/2007 Strong
- D554,527 S \* 11/2007 Oliver ..... D9/696
- D618,339 S 6/2010 Hansen
- 7,832,601 B2 11/2010 Zahn et al.
- D663,414 S 7/2012 Robin
- D666,289 S 8/2012 DeCoste
- D674,481 S 1/2013 DeCoste
- D681,196 S 4/2013 Henrikson et al.
- D684,259 S 6/2013 Mehta
- D687,320 S \* 8/2013 Lee ..... D9/723
- D703,063 S 4/2014 Garrity et al.
- D710,993 S 8/2014 DeCoste, Jr.

(Continued)

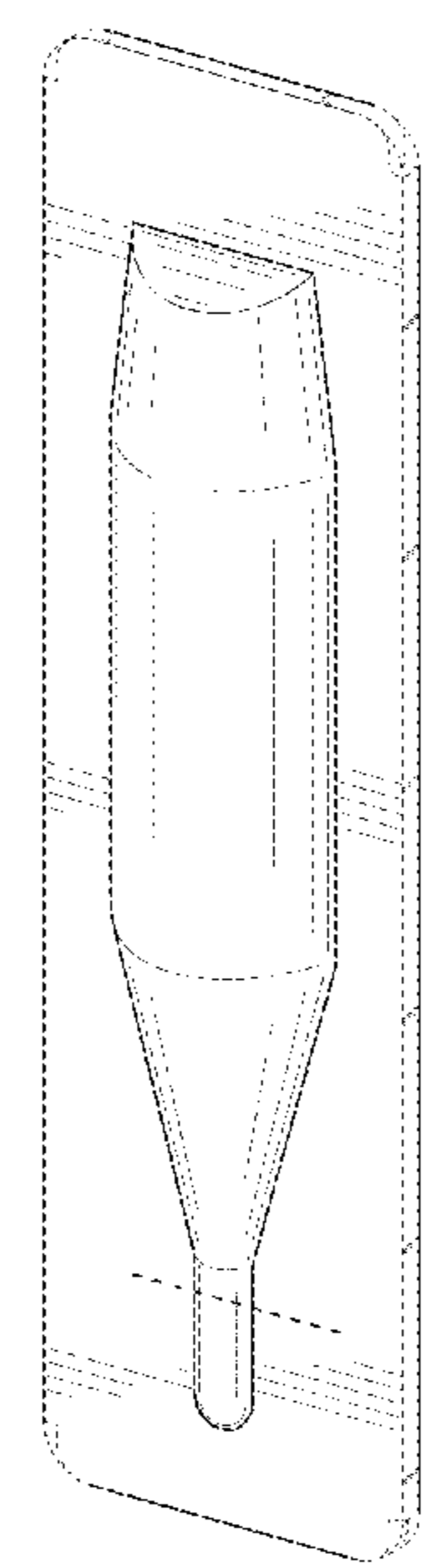
*Primary Examiner* — Janice Hallmark  
*Assistant Examiner* — Omeed Agilee  
(74) *Attorney, Agent, or Firm* — Dinsmore & Shohl LLP

(57) **CLAIM**  
The ornamental design for a vial, as shown and described.

**DESCRIPTION**

FIG. 1 is a perspective view of the front, side and top of a vial showing my new design;  
FIG. 2 is a perspective view of the front, side and bottom thereof;  
FIG. 3 is a side elevational view thereof;  
FIG. 4 is a front elevational view thereof;  
FIG. 5 is a side elevational view thereof;  
FIG. 6 is a back elevational view thereof  
FIG. 7 is a bottom elevational view thereof; and,  
FIG. 8 is a top elevational view thereof.  
The broken lines in the drawings depict environmental subject matter and form no part of the claimed design.

**1 Claim, 3 Drawing Sheets**



(56)

**References Cited**

U.S. PATENT DOCUMENTS

8,806,842 B1 \* 8/2014 Penn ..... B65D 81/3266  
53/453  
D721,434 S 1/2015 Mulvey et al.  
D731,642 S \* 6/2015 Cehajic ..... B65D 1/095  
D24/115  
D753,292 S 4/2016 Oates, II et al.  
D779,653 S 2/2017 Habig et al.  
D805,212 S 12/2017 Crumitie  
D854,183 S 7/2019 Murray  
D870,275 S \* 12/2019 Murray ..... D24/115  
2005/0115422 A1 \* 6/2005 Louviere ..... B41F 17/22  
101/44  
2005/0284313 A1 \* 12/2005 Louviere ..... B41F 17/22  
101/35  
2007/0219515 A1 9/2007 Marsh et al.  
2009/0169656 A1 7/2009 Porter et al.  
2017/0283145 A1 \* 10/2017 Murray ..... B65B 51/10

\* cited by examiner

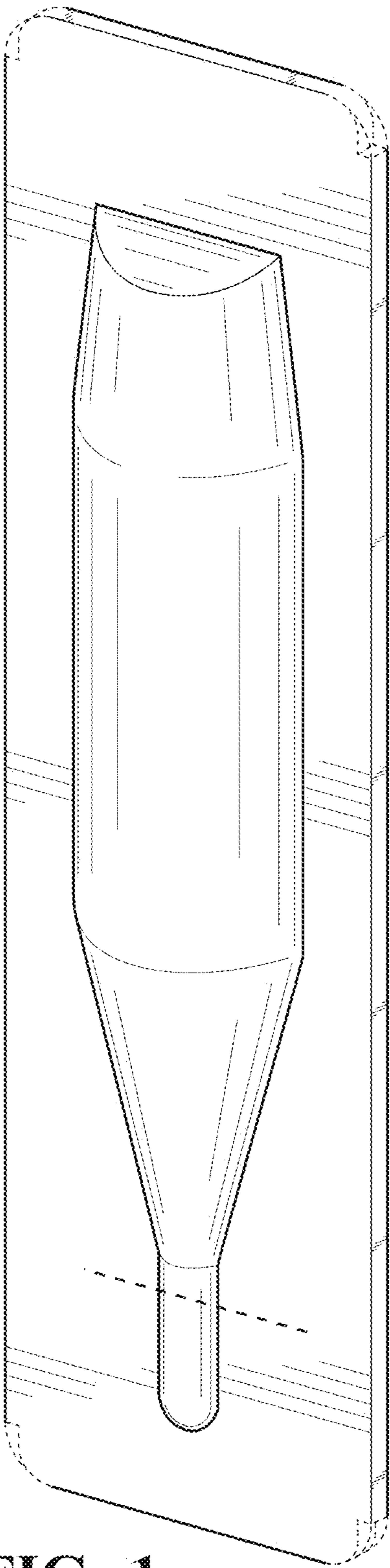


FIG. 1

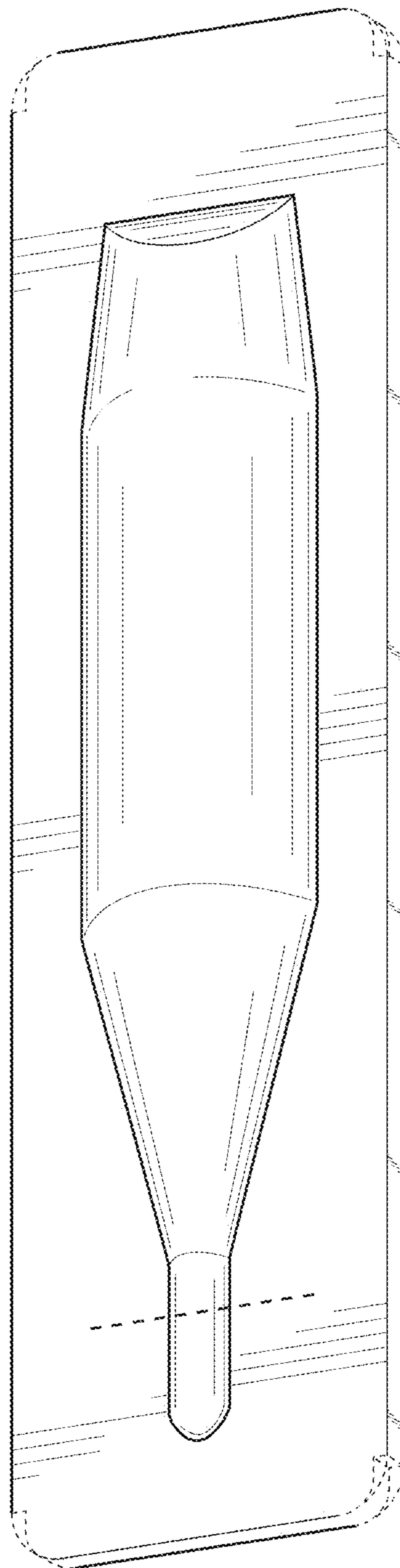


FIG. 2

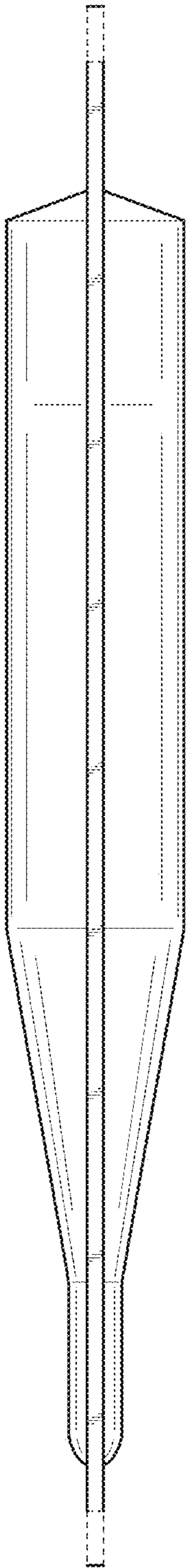


FIG. 3

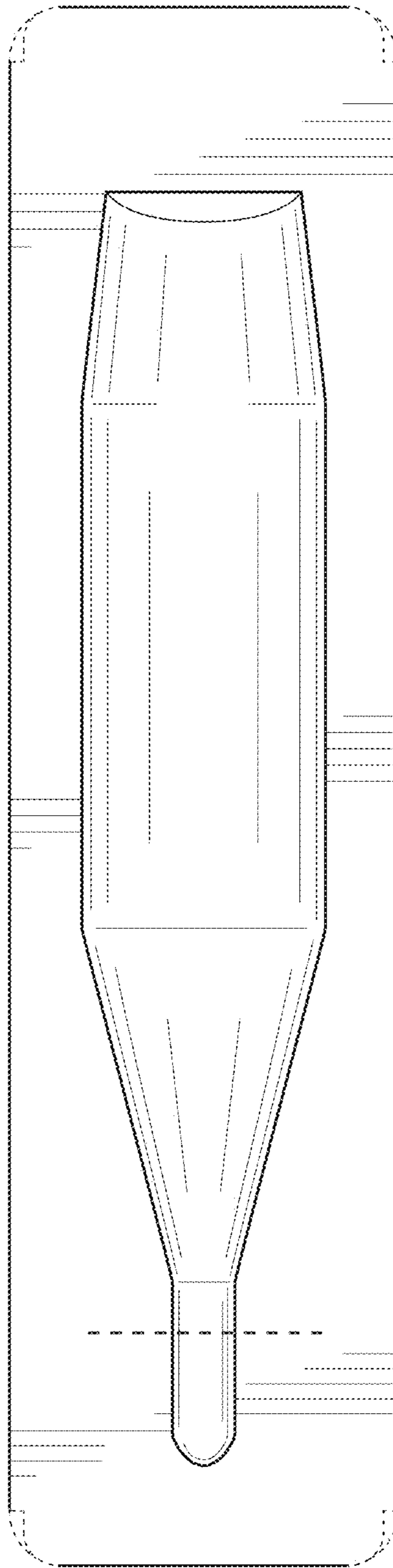


FIG. 4

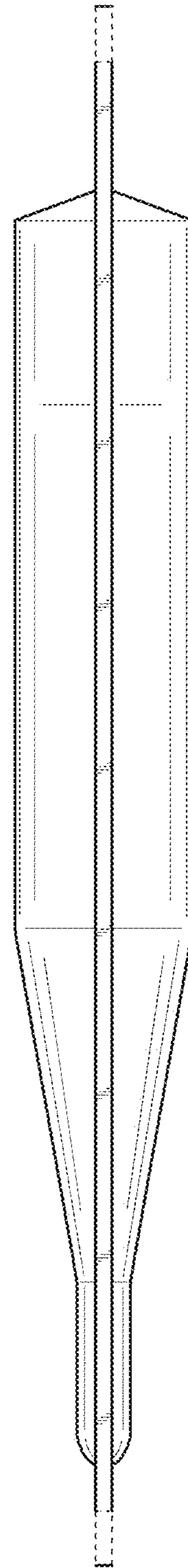
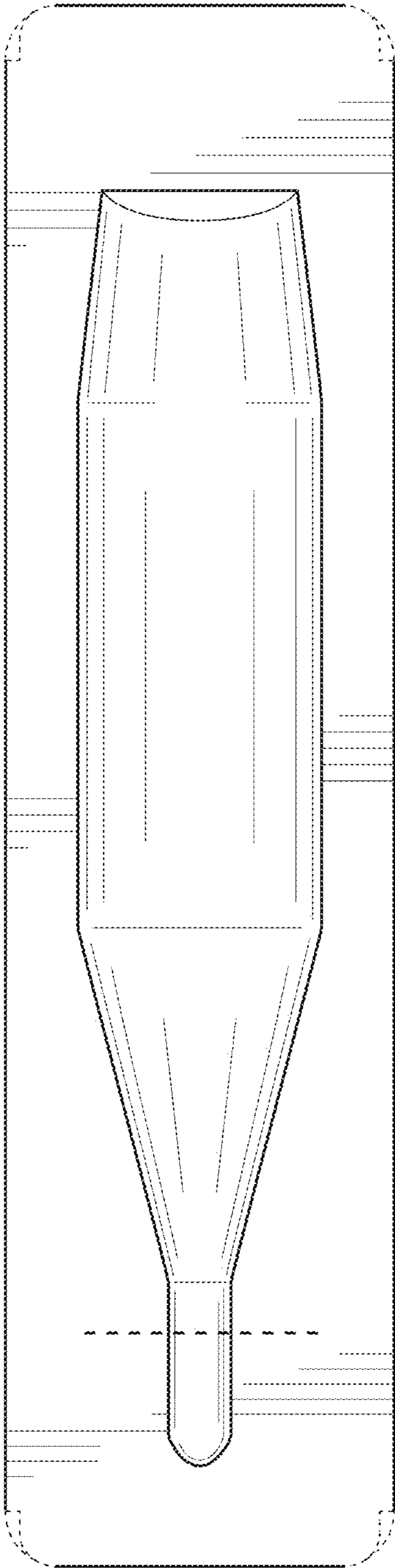
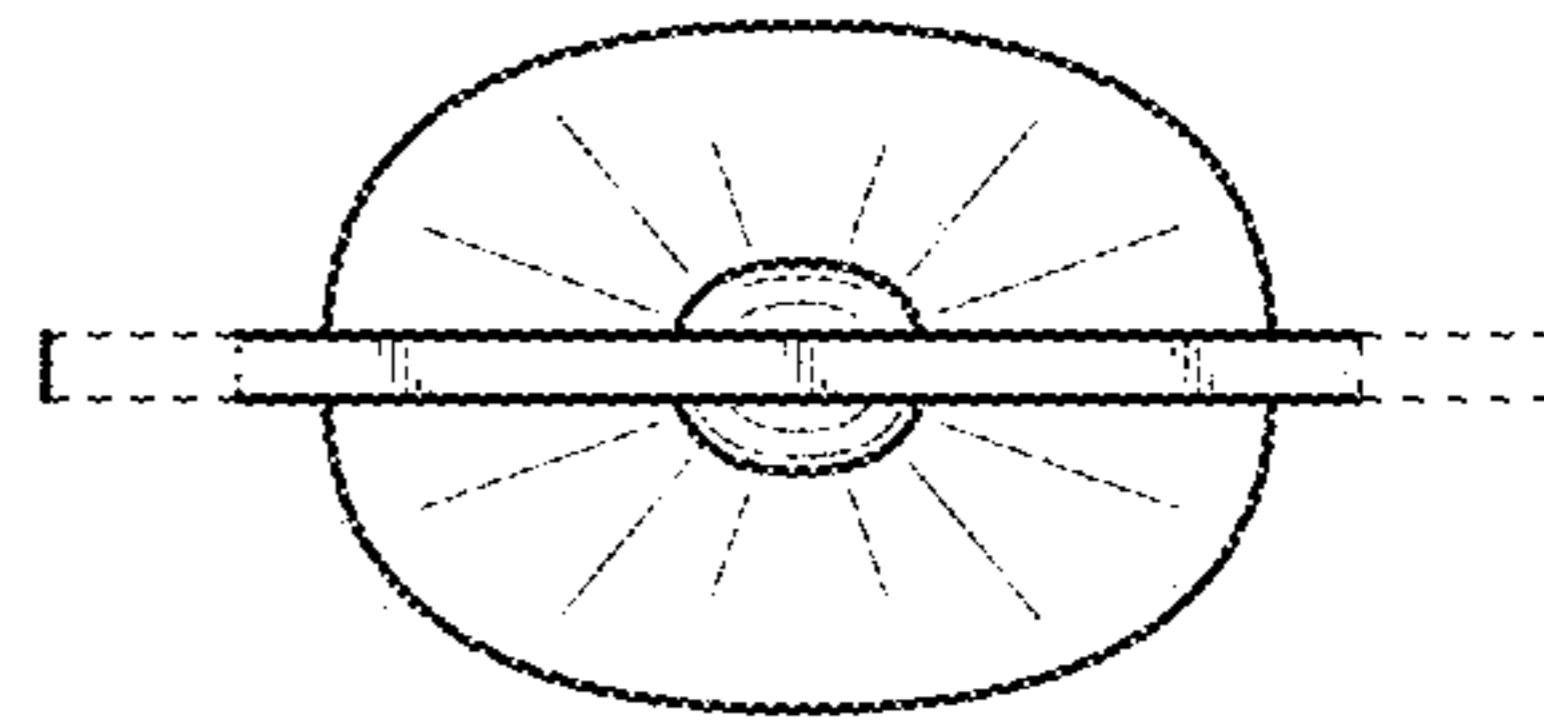


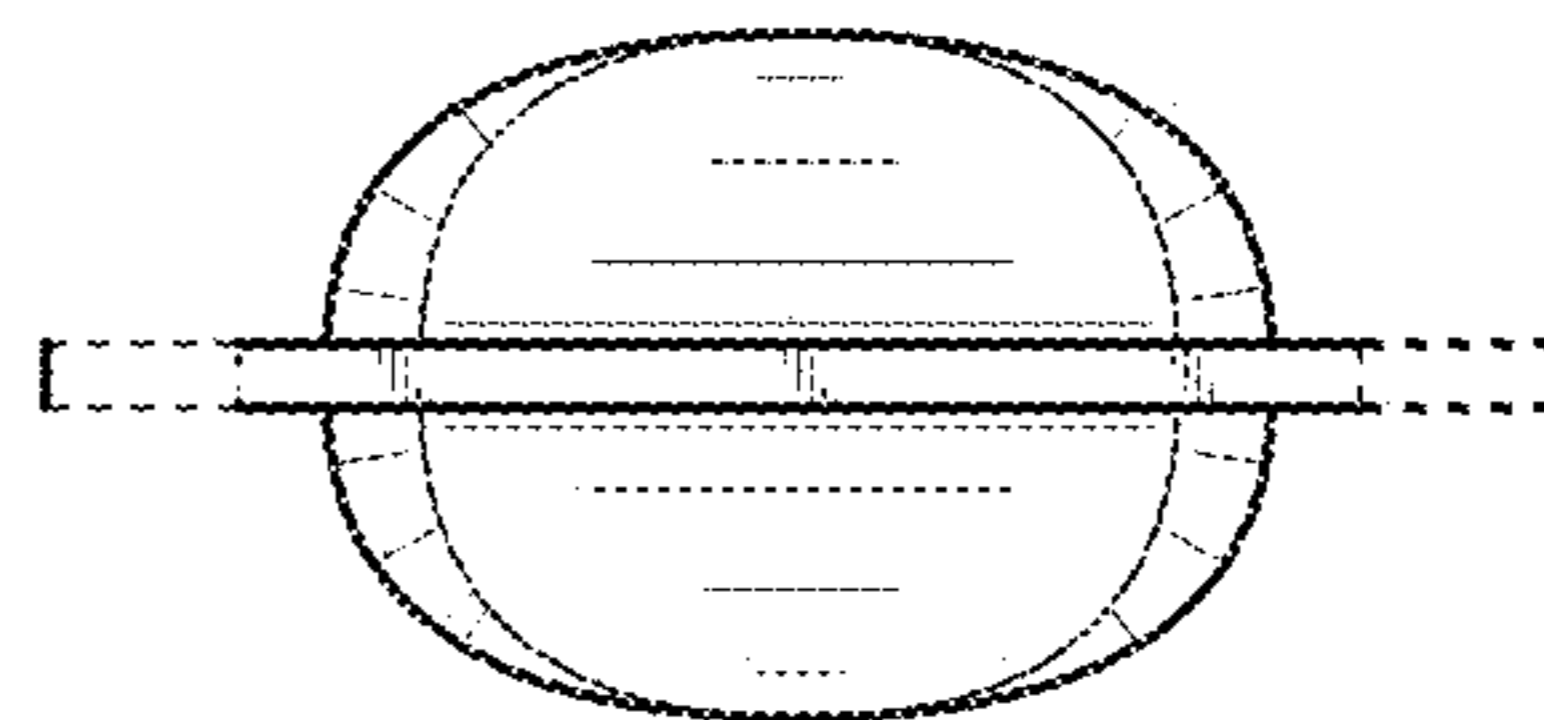
FIG. 5



**FIG. 6**



**FIG. 7**



**FIG. 8**