



US00D928338S

(12) **United States Design Patent** (10) **Patent No.:** **US D928,338 S**  
**Hu** (45) **Date of Patent:** **\*\* Aug. 17, 2021**

(54) **MESSAGE GUN**  
(71) Applicant: **Qingqian Hu**, Yongkang (CN)  
(72) Inventor: **Qingqian Hu**, Yongkang (CN)  
(\*\*) Term: **15 Years**  
(21) Appl. No.: **29/757,171**  
(22) Filed: **Nov. 4, 2020**  
(51) **LOC (13) Cl.** ..... **28-03**  
(52) **U.S. Cl.**  
USPC ..... **D24/215**  
(58) **Field of Classification Search**  
USPC ..... D24/200, 211, 212, 213, 214, 215;  
D8/14.1; D28/13  
CPC ..... A61H 2015/0014; A61H 15/00; A61H  
2015/0042  
See application file for complete search history.

D886,317 S \* 6/2020 Marton ..... D24/215  
D887,573 S \* 6/2020 Wersland ..... D24/215  
D893,738 S \* 8/2020 Zhuang ..... D24/215  
D895,132 S \* 9/2020 Hu ..... D24/215  
D895,133 S \* 9/2020 Xu ..... D24/215  
D895,135 S \* 9/2020 Xu ..... D24/215  
D895,829 S \* 9/2020 Hu ..... D24/215  
D895,831 S \* 9/2020 Chen ..... D24/215  
D896,396 S \* 9/2020 Wersland ..... D24/215  
D898,209 S \* 10/2020 Xu ..... D24/214  
D898,933 S \* 10/2020 Xu ..... D24/215  
D899,620 S \* 10/2020 Huang ..... D24/215  
D900,329 S \* 10/2020 Xu ..... D24/215  
D905,863 S \* 12/2020 Lin ..... D24/215  
D906,533 S \* 12/2020 Xu ..... D24/215  
D907,229 S \* 1/2021 Zhang ..... D24/215  
D907,230 S \* 1/2021 Zhang ..... D24/215  
D908,908 S \* 1/2021 Xu ..... D24/215

(Continued)

*Primary Examiner* — Cynthia Ramirez  
*Assistant Examiner* — Michael A Maharajh

(56) **References Cited**

**U.S. PATENT DOCUMENTS**

D616,558 S \* 5/2010 Tsai ..... D24/200  
D847,364 S \* 4/2019 Lee ..... D24/215  
10,314,762 B1 \* 6/2019 Marton ..... A61H 23/006  
D855,822 S \* 8/2019 Marton ..... D24/215  
D866,790 S \* 11/2019 Lee ..... D24/215  
D872,869 S \* 1/2020 Lu ..... D24/215  
D873,432 S \* 1/2020 Duan ..... D24/214  
D874,015 S \* 1/2020 Marton ..... D24/215  
D875,961 S \* 2/2020 Li ..... 24/211  
D877,351 S \* 3/2020 Wersland ..... D24/215  
D879,985 S \* 3/2020 Wersland ..... D24/214  
D879,986 S \* 3/2020 Wersland ..... D24/214  
D880,714 S \* 4/2020 Wersland ..... D24/215  
D880,715 S \* 4/2020 Wersland ..... D24/215  
D880,716 S \* 4/2020 Wersland ..... D24/215  
D884,205 S 5/2020 Zhuang  
D884,207 S \* 5/2020 Ma ..... D24/215  
D884,915 S \* 5/2020 Wersland ..... D24/215  
D885,601 S \* 5/2020 Wersland ..... D24/215

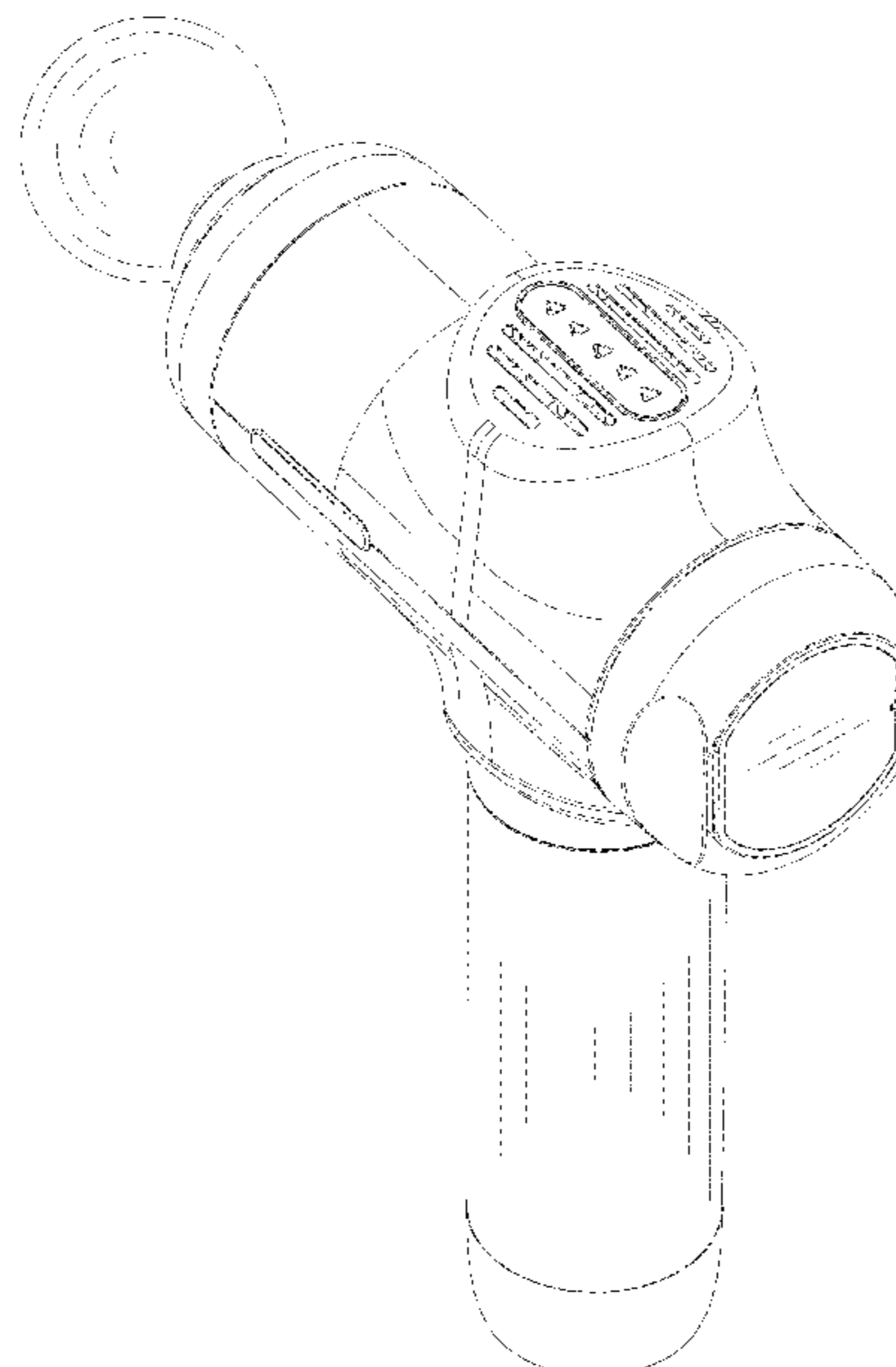
(57) **CLAIM**

The ornamental design for a message gun, as shown and described.

**DESCRIPTION**

FIG. 1 is a front, top perspective view of the message gun showing my new design;  
FIG. 2 is a rear, bottom perspective view thereof;  
FIG. 3 is a front elevational view thereof;  
FIG. 4 is a rear elevational view thereof;  
FIG. 5 is a left side elevational view thereof;  
FIG. 6 is a right side elevational view thereof;  
FIG. 7 is a top plan view thereof; and,  
FIG. 8 is a bottom plan view thereof.  
The broken lines shown in the figures are for the purpose of illustrating portions of the message gun, which form no parts of the claimed design.

**1 Claim, 8 Drawing Sheets**



(56)

**References Cited**

U.S. PATENT DOCUMENTS

D910,194 S *	2/2021	Radtke .....	D24/215
D911,535 S *	2/2021	Yu .....	D24/200
D912,267 S *	3/2021	Tang .....	D24/215
D912,268 S *	3/2021	Xiang .....	D24/215
D912,835 S *	3/2021	Ren .....	D24/200
D913,516 S *	3/2021	Zhang .....	D24/215
D913,517 S *	3/2021	Yu .....	D24/215
2018/0200141 A1 *	7/2018	Wersland .....	A61H 23/006

\* cited by examiner

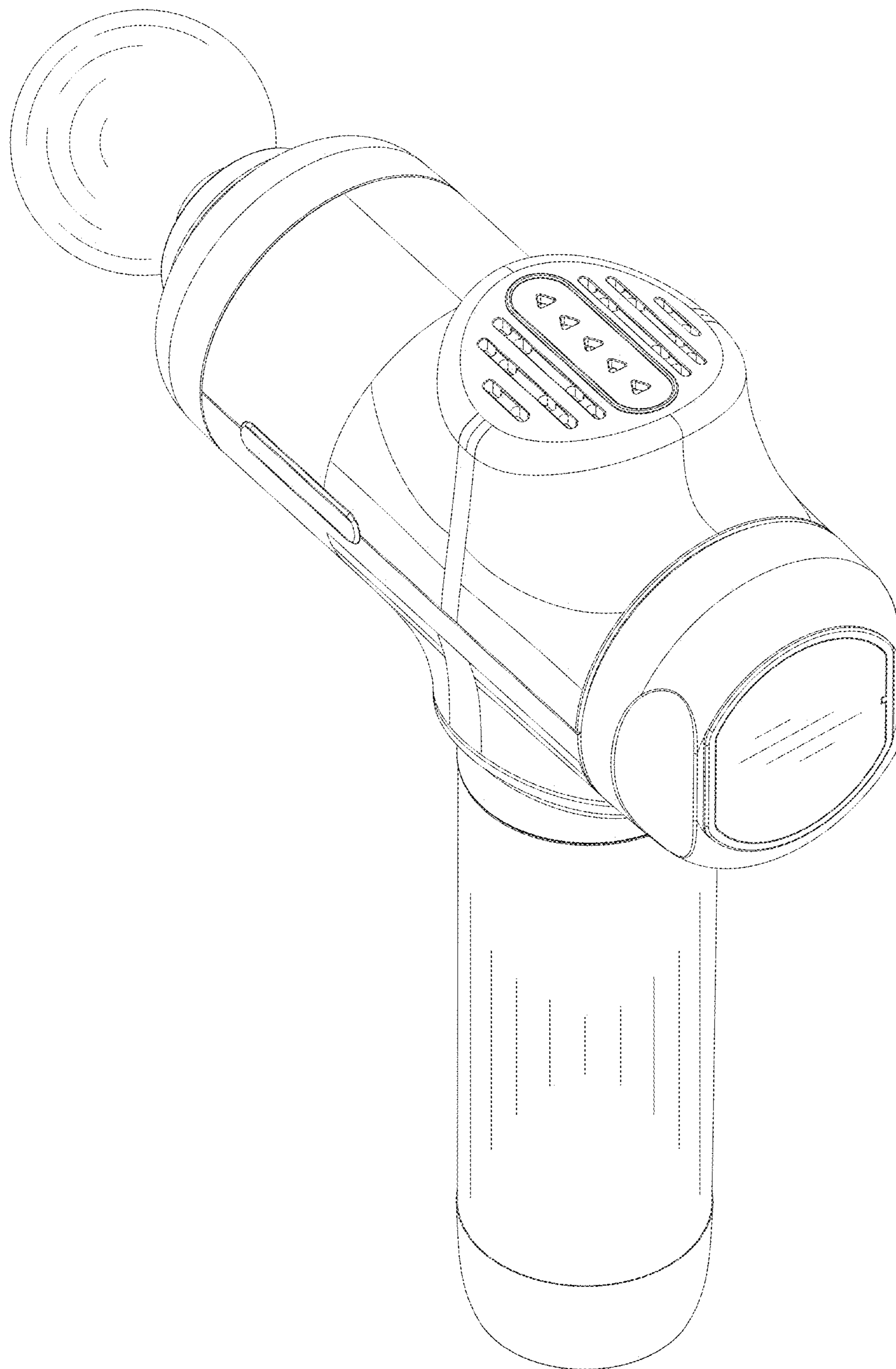


FIG. 1

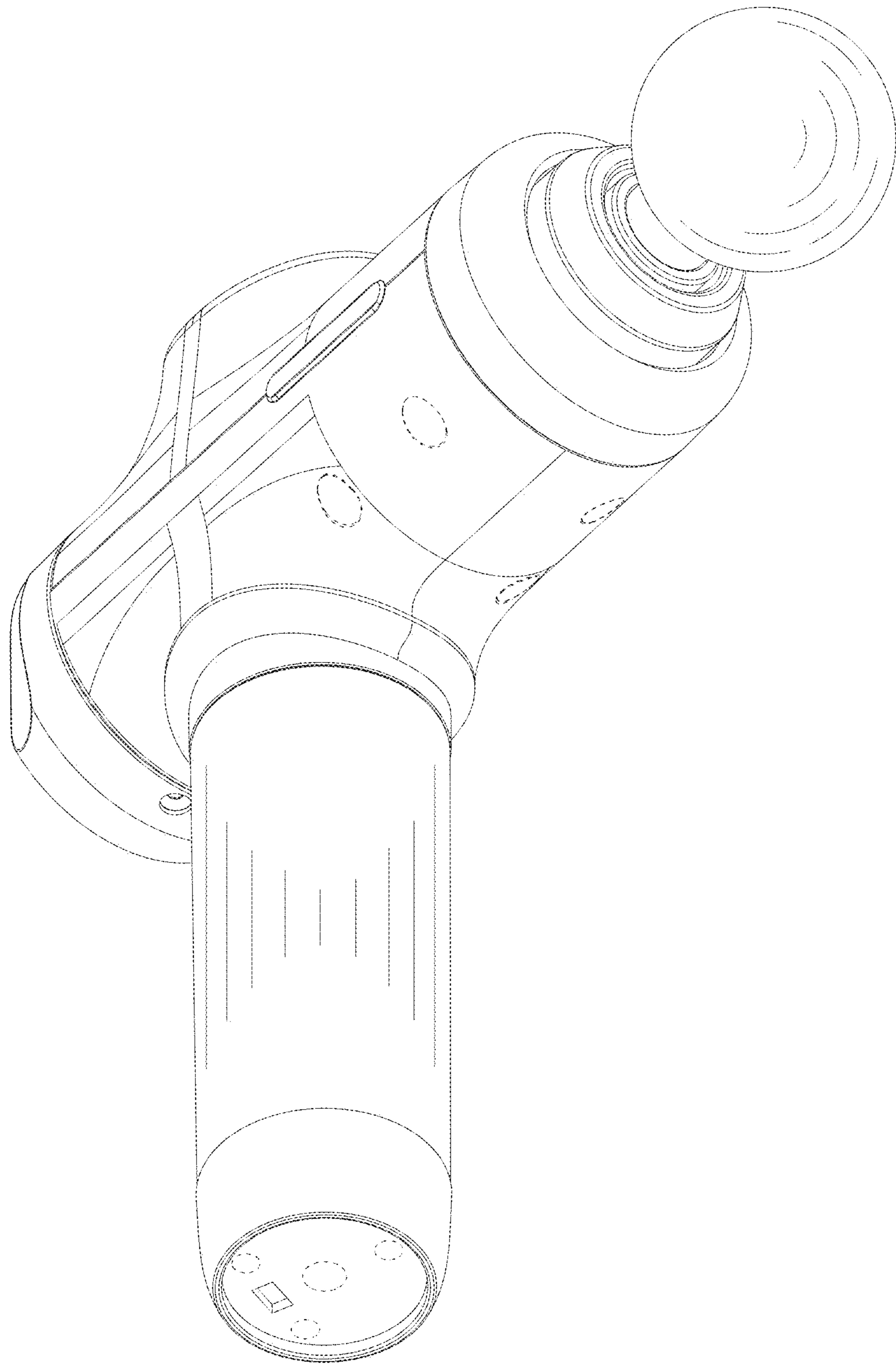


FIG. 2

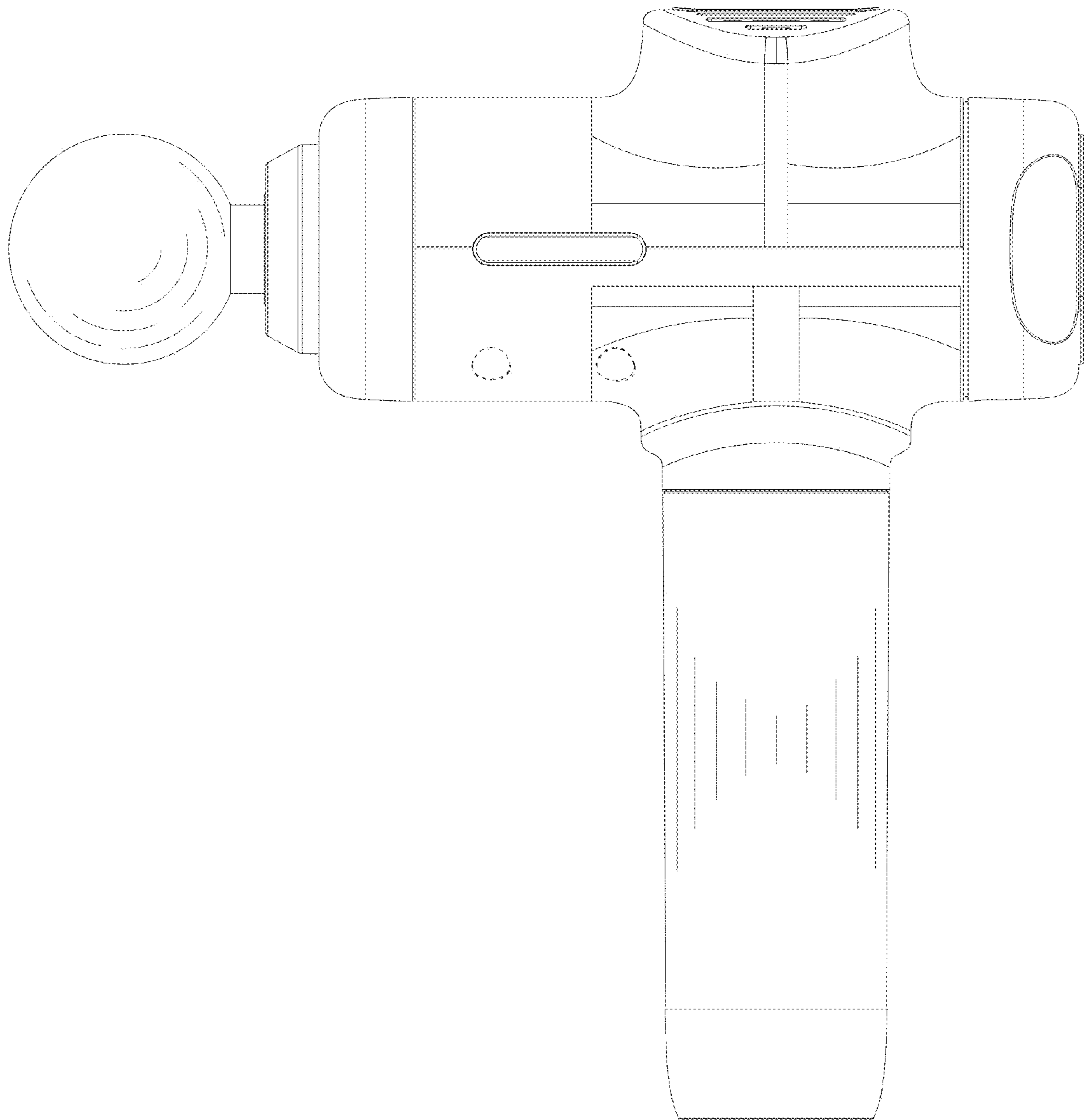


FIG. 3

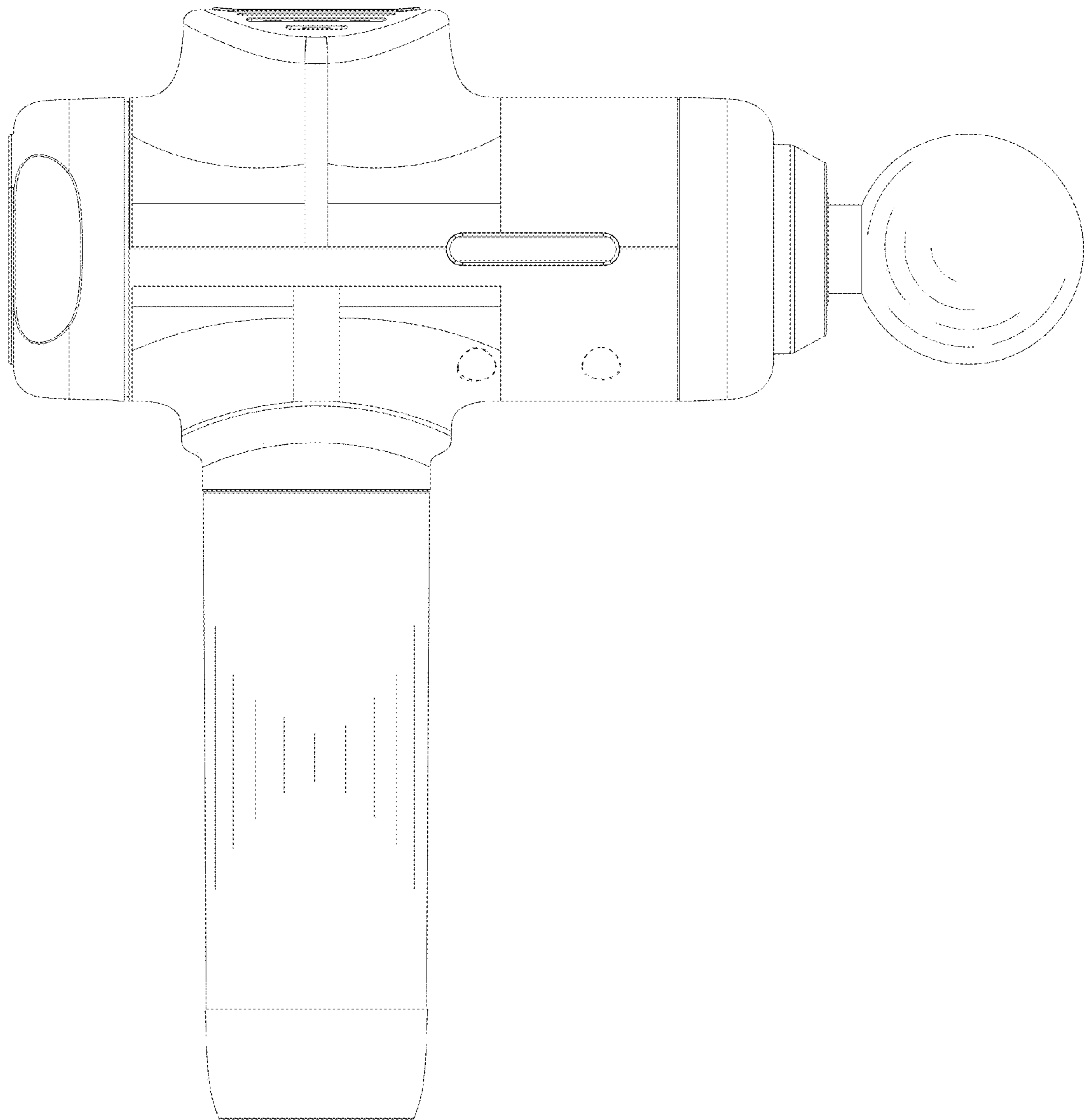


FIG. 4

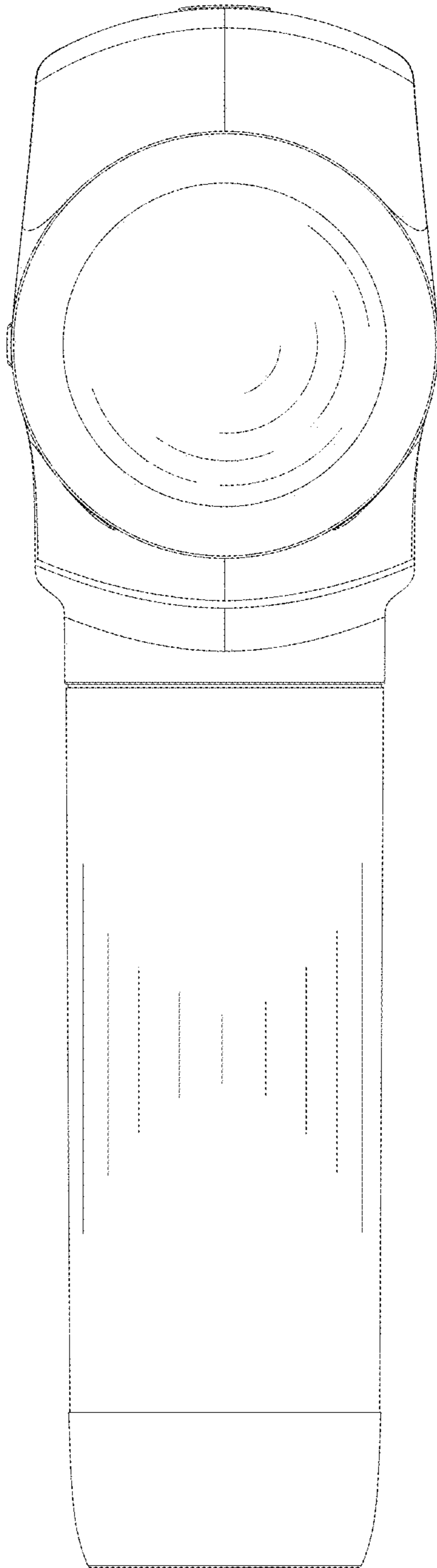


FIG. 5

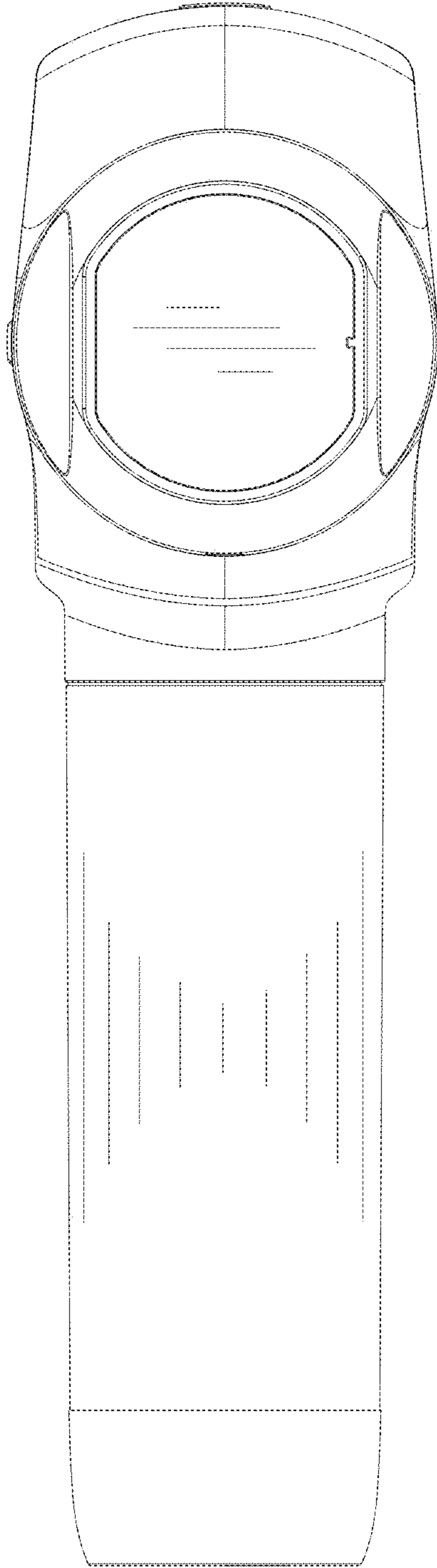


FIG. 6



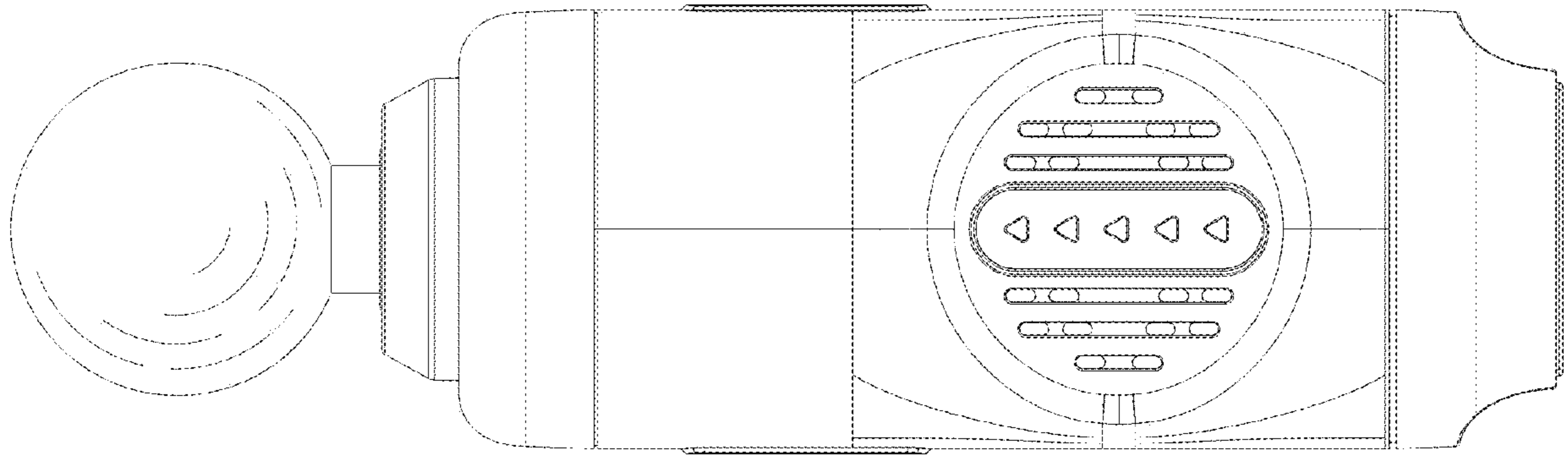


FIG. 7

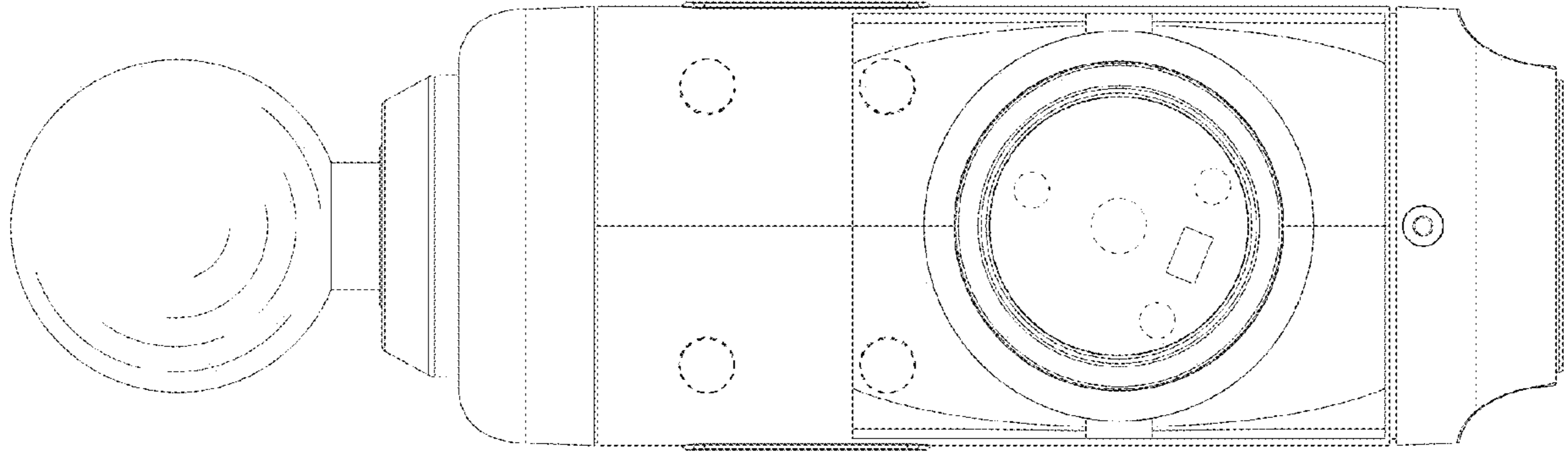


FIG. 8