



US00D928335S

(12) **United States Design Patent**
Ma

(10) **Patent No.:** **US D928,335 S**

(45) **Date of Patent:** **** Aug. 17, 2021**

(54) **EYE MASSAGE DEVICE**

(71) Applicant: **SHENZHEN BREO TECHNOLOGY CO., LTD.**, Guangdong (CN)

(72) Inventor: **Xuejun Ma**, Guangdong (CN)

(73) Assignee: **SHENZHEN BREO TECHNOLOGY CO., LTD.**, Shenzhen (CN)

(**) Term: **15 Years**

(21) Appl. No.: **29/719,888**

(22) Filed: **Jan. 8, 2020**

(30) **Foreign Application Priority Data**

Jul. 10, 2019 (CN) 201930365975.8

(51) **LOC (13) Cl.** **28-03**

(52) **U.S. Cl.**
USPC **D24/215**

(58) **Field of Classification Search**
USPC D16/303, 310, 312; D24/200, 214, 215;
D29/110

CPC A61H 5/00; A61H 2205/024; A61H 39/04
See application file for complete search history.

(56) **References Cited**

U.S. PATENT DOCUMENTS

- 2,690,173 A * 9/1954 Seeger A61H 9/0071
601/37
- D428,620 S * 7/2000 Maturaporn 2/12
- D730,430 S * 5/2015 Tanguy D16/312
- D739,543 S * 9/2015 Ma D24/215
- D841,179 S * 2/2019 Ma D24/215
- D863,414 S * 10/2019 Schwabe D16/312

- D868,878 S * 12/2019 Langenwalter D16/312
- D884,913 S * 5/2020 Peng D24/215
- D895,830 S * 9/2020 Nakamura D24/215
- 2011/0265254 A1 * 11/2011 Ma A61H 7/006
2/420
- 2013/0184621 A1 * 7/2013 Ma A61H 7/004
601/134
- 2013/0281893 A1 * 10/2013 Yang A61F 7/0085
601/15
- 2016/0331591 A1 * 11/2016 Kilduff A61F 9/025
- 2017/0252258 A1 * 9/2017 Ma A61H 39/04
- 2018/0279877 A1 * 10/2018 Berdahl A61B 3/16
- 2019/0113773 A1 * 4/2019 Langenwalter G02C 3/003
- 2019/0374385 A1 * 12/2019 Chen A61F 9/027

* cited by examiner

Primary Examiner — Gino Colan

Assistant Examiner — Michael A Maharajh

(74) *Attorney, Agent, or Firm* — Cantor Colburn LLP

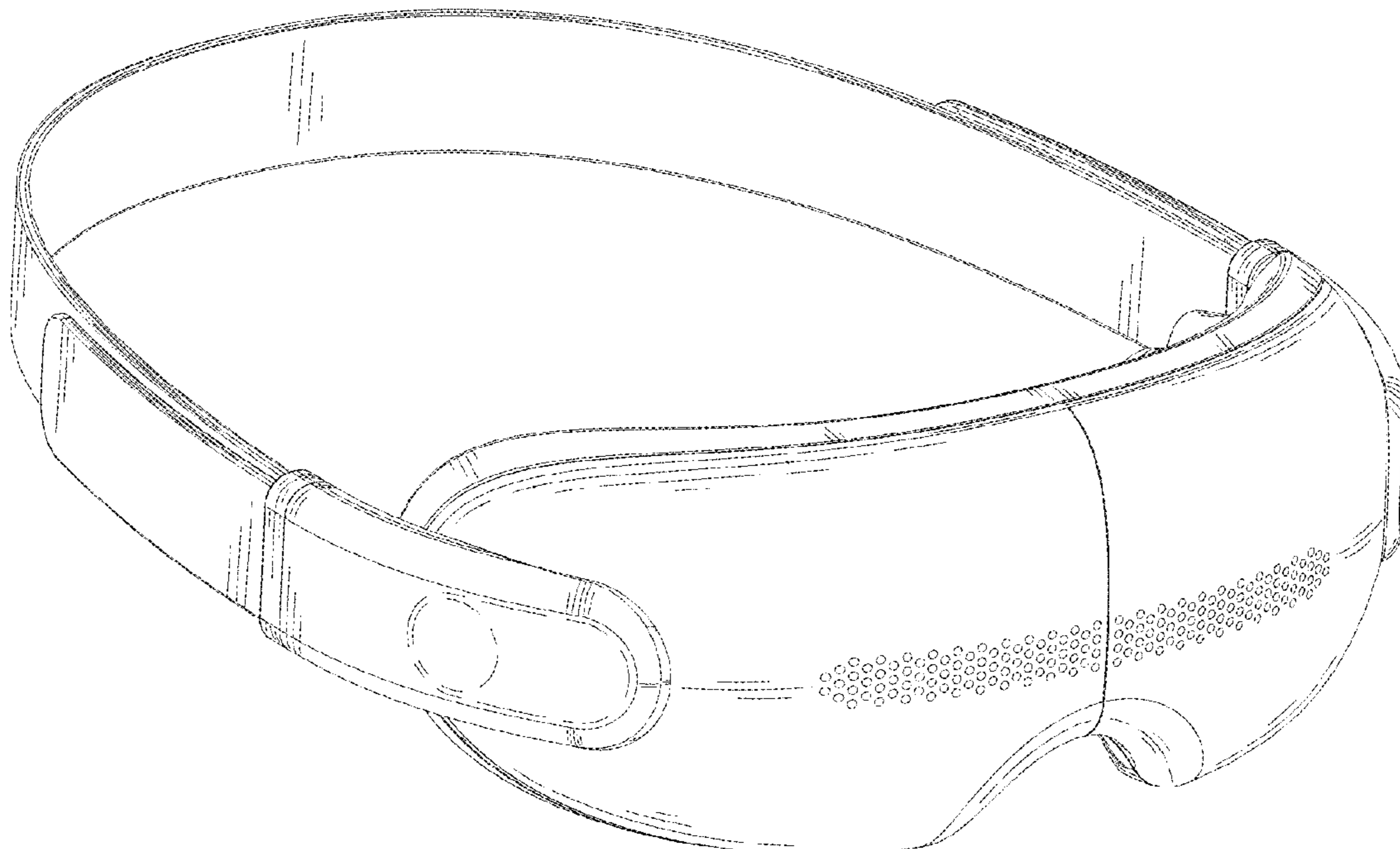
(57) **CLAIM**

The ornamental design for an eye massage device, as shown and described.

DESCRIPTION

FIG. 1 is a front perspective view of an eye massage device showing my new design;
 FIG. 2 is a rear perspective view thereof;
 FIG. 3 is a front elevational view thereof;
 FIG. 4 is a rear elevational view thereof;
 FIG. 5 is a left side elevational view thereof;
 FIG. 6 is a right side elevational view thereof;
 FIG. 7 is a top plan view thereof; and,
 FIG. 8 is a bottom plan view thereof.
 The broken lines in the figures depict portions of the eye massage device that form no part of the claimed design.

1 Claim, 8 Drawing Sheets



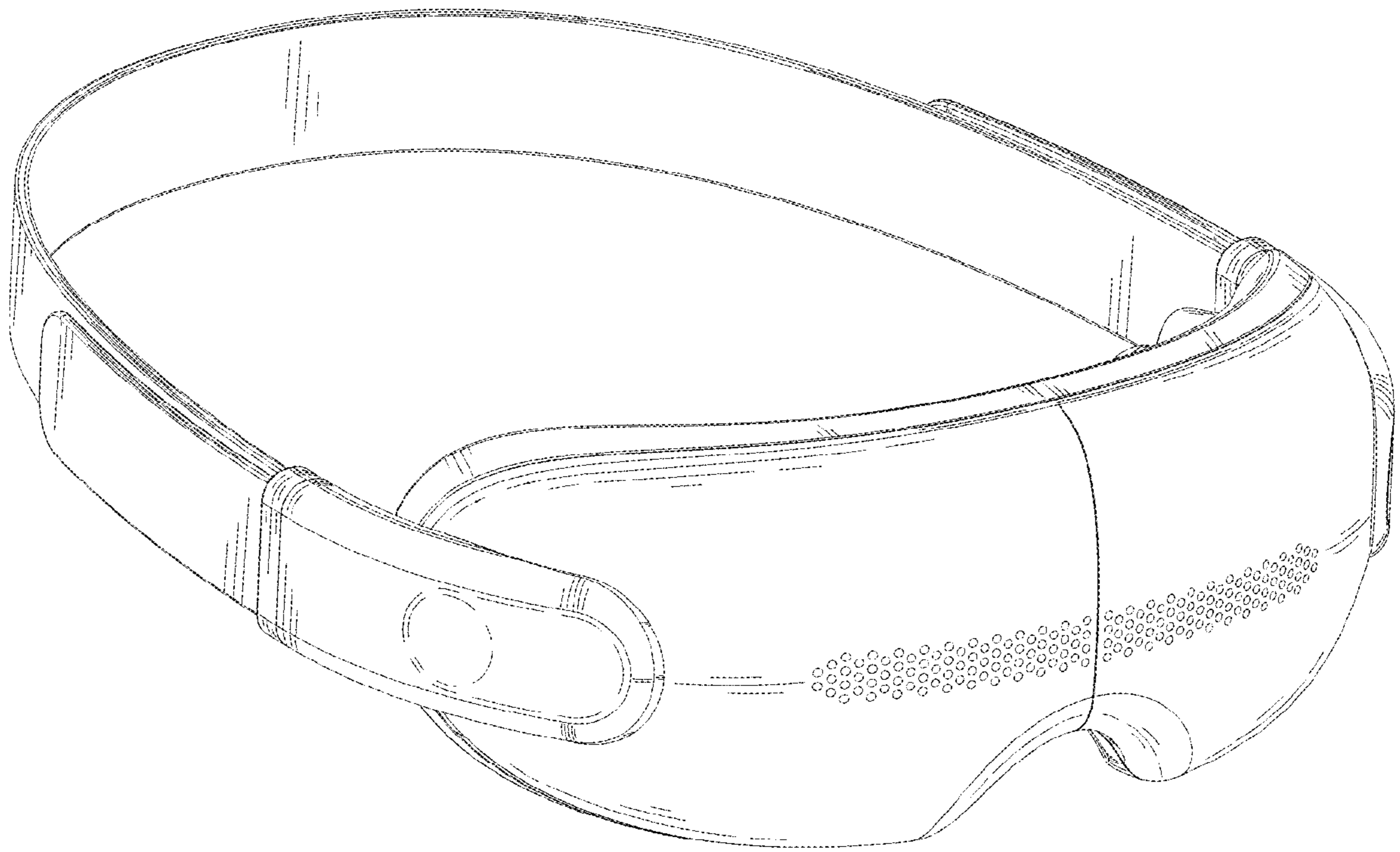


FIG. 1

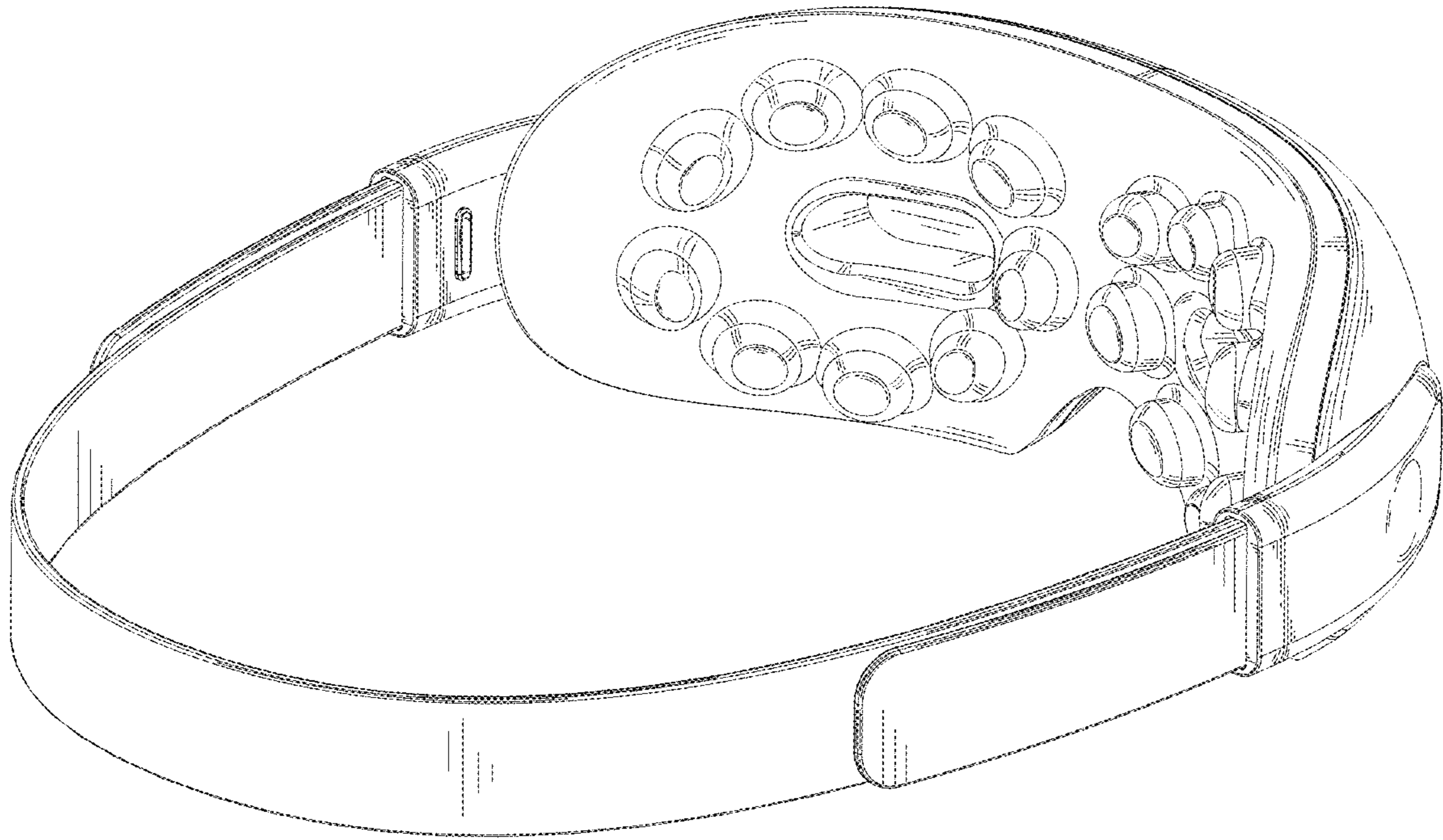


FIG. 2

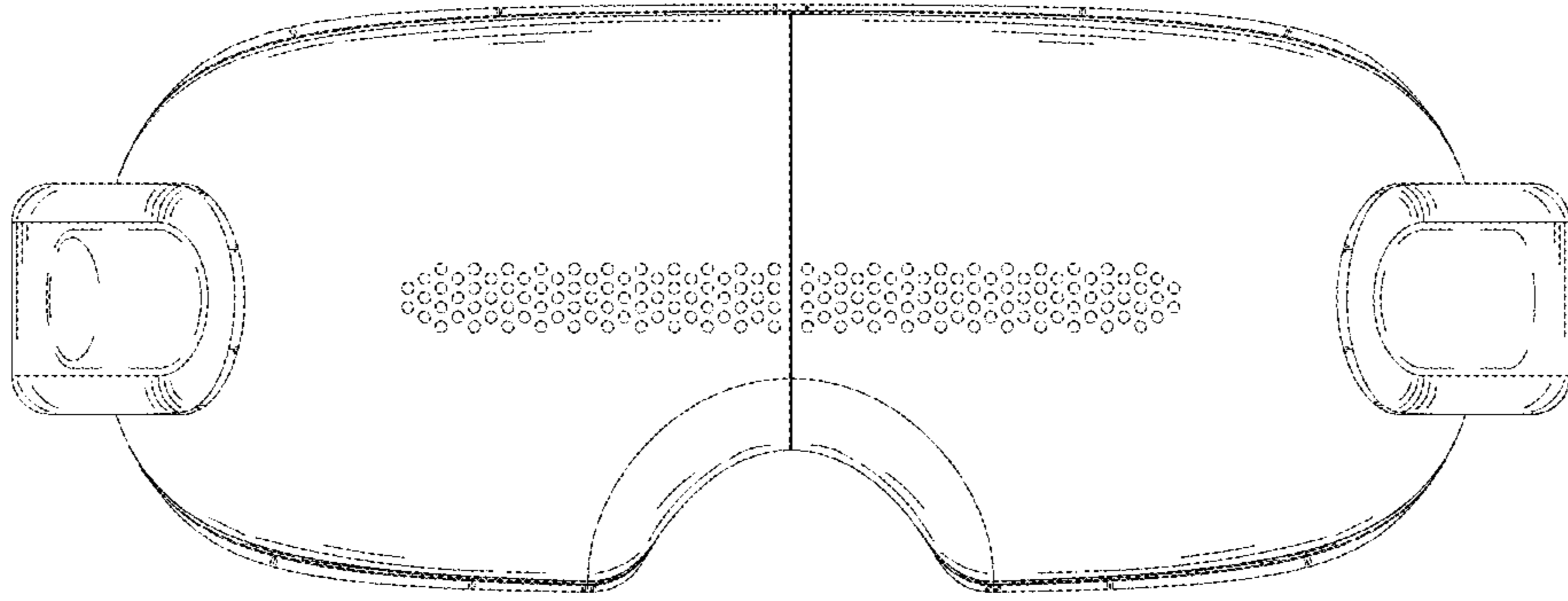


FIG. 3

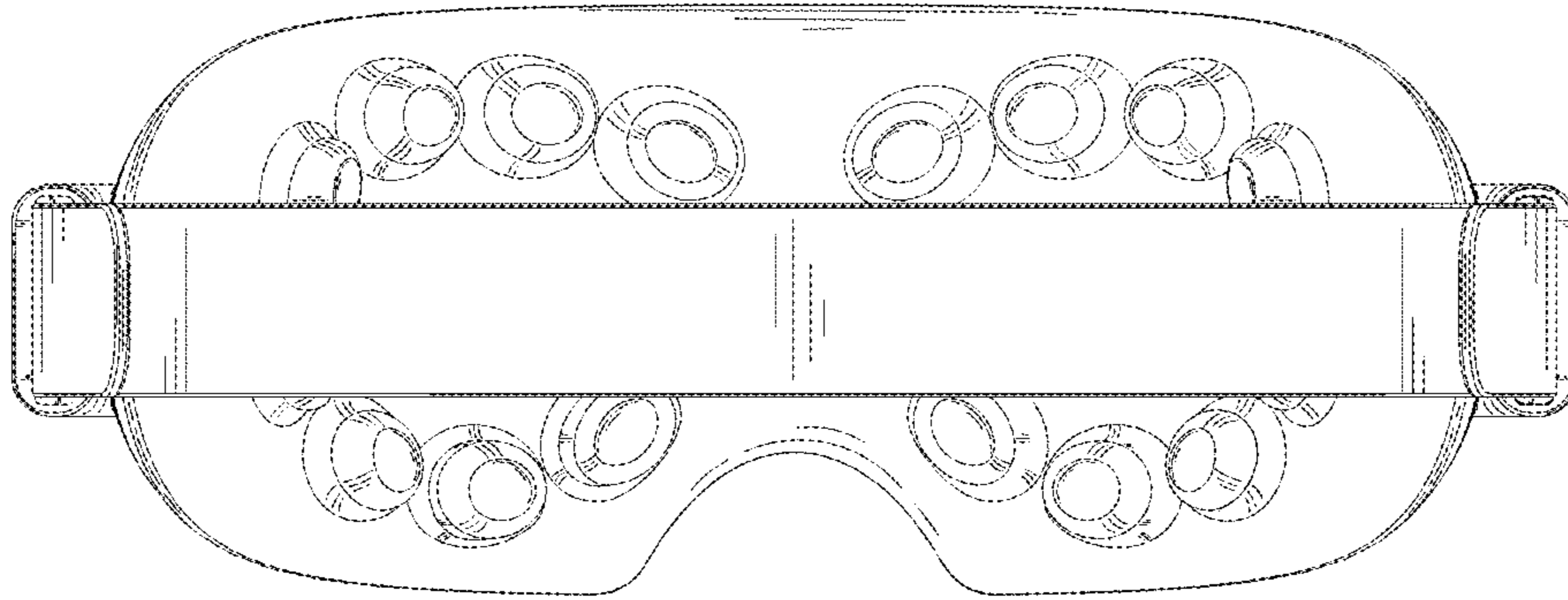


FIG. 4

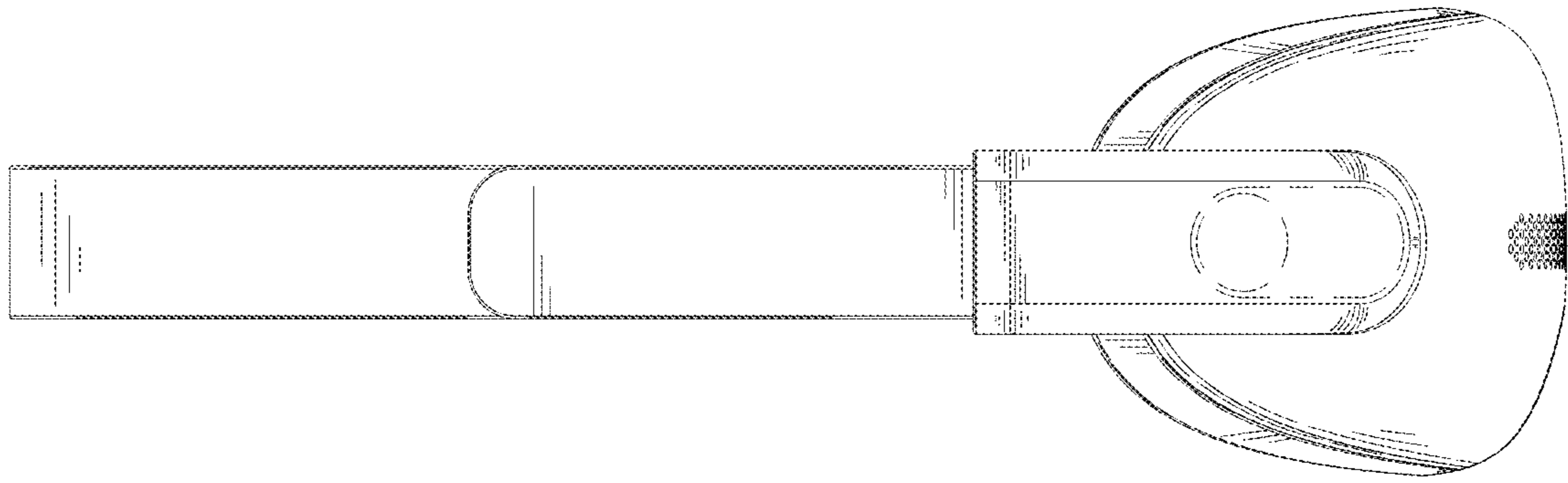


FIG. 5

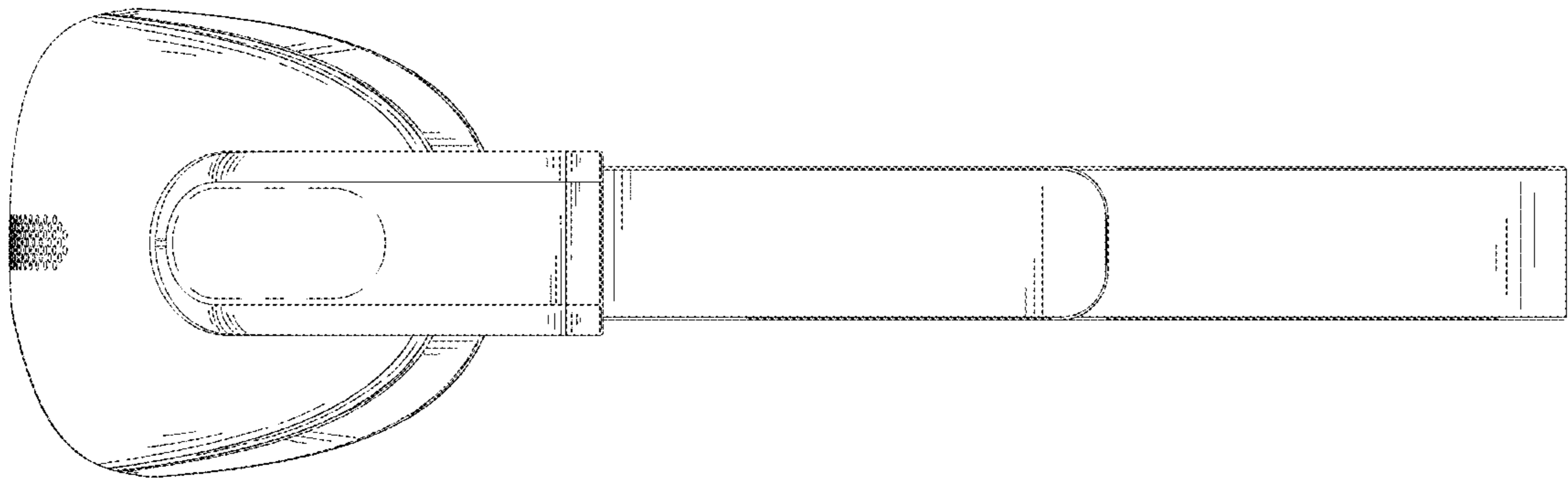


FIG. 6

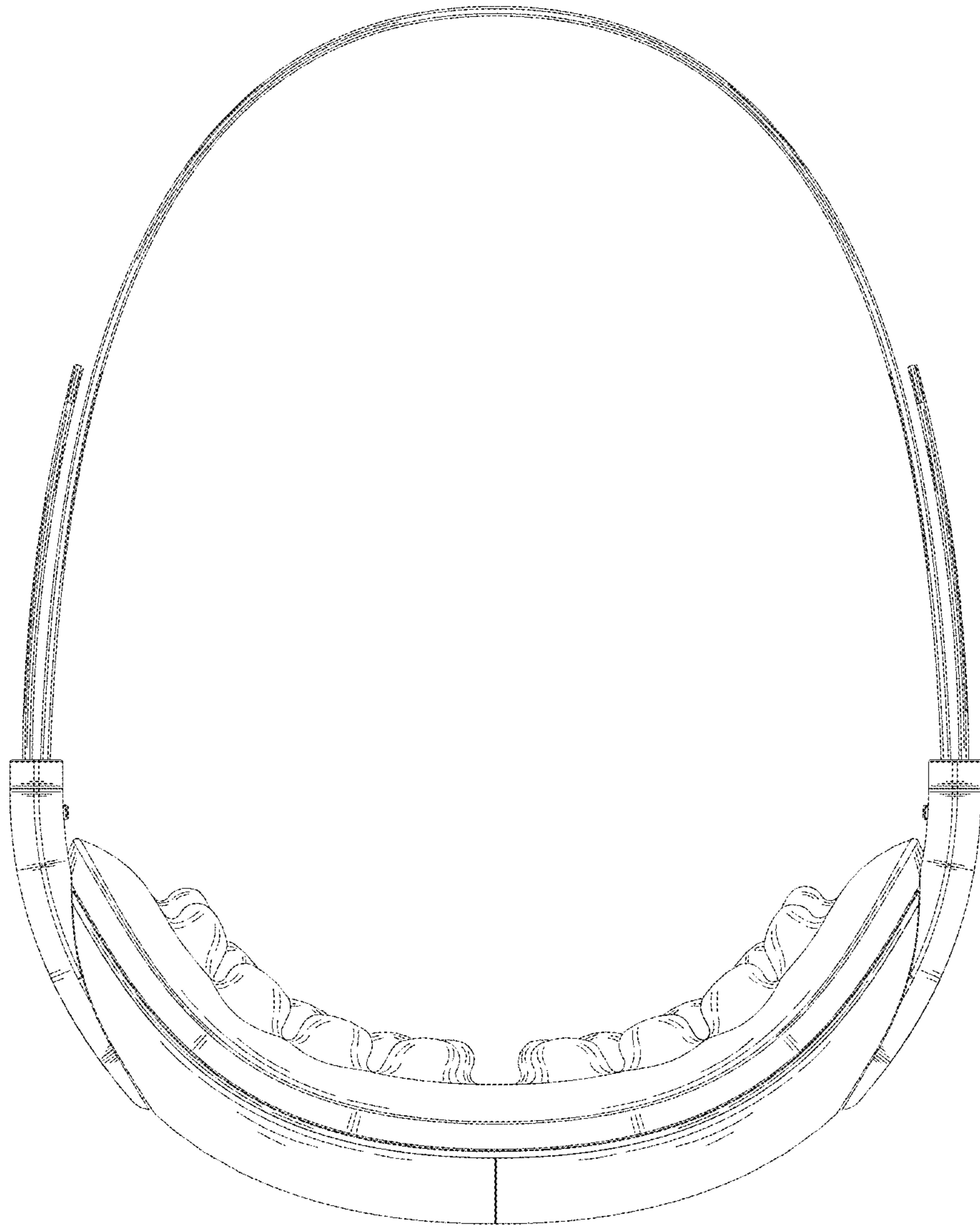


FIG. 7

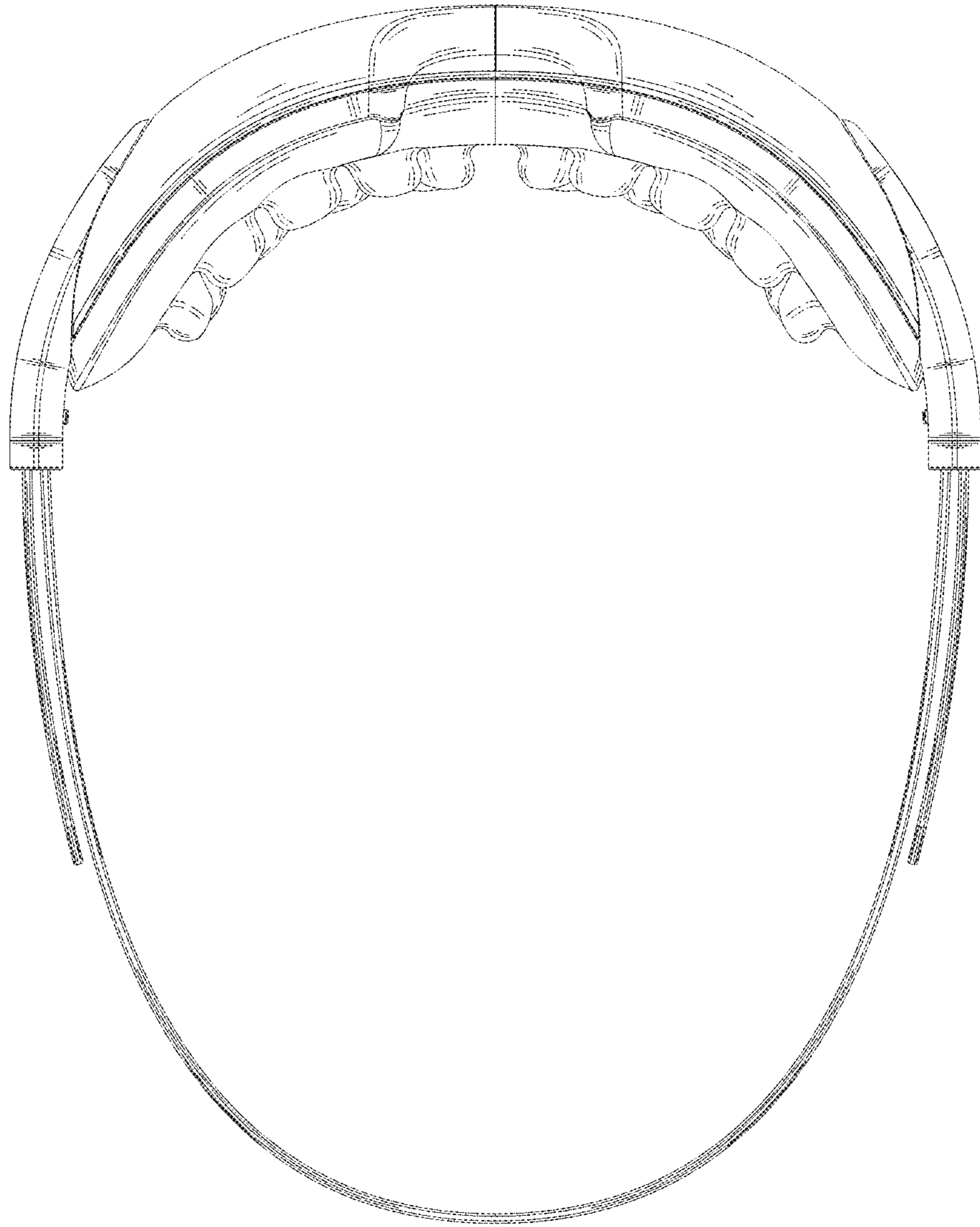


FIG. 8