



US00D928332S

(12) **United States Design Patent**
Kersen et al.

(10) **Patent No.:** **US D928,332 S**

(45) **Date of Patent:** **** Aug. 17, 2021**

(54) **TOE SPREADER**

(71) Applicants: **Lawrence Kersen**, Boonton, NJ (US);
Marty Vogel, Flushing, NY (US)

(72) Inventors: **Lawrence Kersen**, Boonton, NJ (US);
Marty Vogel, Flushing, NY (US)

(73) Assignee: **Poly-Gel L.L.C.**, Whippany, NJ (US)

(**) Term: **15 Years**

(21) Appl. No.: **29/697,943**

(22) Filed: **Jul. 12, 2019**

(51) **LOC (13) Cl.** **24-01**

(52) **U.S. Cl.**
USPC **D24/192**

(58) **Field of Classification Search**
USPC D24/188-192, 200, 206, 214, 215
CPC A61F 13/00021; A61F 13/0203; A61F
13/066

See application file for complete search history.

(56) **References Cited**

U.S. PATENT DOCUMENTS

2,268,777	A *	1/1942	Scholl	A61F 13/02 128/894
D531,790	S *	11/2006	Wurzburg	D2/961
D570,488	S *	6/2008	Kirksey	D24/189
D664,755	S *	8/2012	Gavrieli	D2/962
D696,819	S *	12/2013	Huthmaker	D28/57
D717,452	S *	11/2014	Boggs	D24/189
D763,454	S *	8/2016	Rust Huthmaker	D24/192
D767,771	S *	9/2016	Moon	D24/188
D775,352	S *	12/2016	Mills	D24/171
D787,078	S *	5/2017	Daniels	D24/192
D813,464	S *	3/2018	Echeverri	D29/121.1
D838,374	S *	1/2019	Bannwart	D24/189

D841,172	S *	2/2019	Bannwart	D24/189
D886,308	S *	6/2020	Kersen	D24/192
D892,342	S *	8/2020	Cook	D24/189
2008/0023017	A1 *	1/2008	Cotton	A45D 29/22 132/73
2011/0284018	A1 *	11/2011	Dragos	A45D 29/22 132/73
2012/0152267	A1 *	6/2012	Chang	A43B 3/106 132/200

OTHER PUBLICATIONS

Best Advisors. Best Bunion Correctors in the UK. Nov. 26, 2020.
<https://www.bestadvisers.co.uk/bunion-correctors> (Year: 2020).*

(Continued)

Primary Examiner — Darcey E Gottschalk

(74) *Attorney, Agent, or Firm* — Edwin D. Schindler

(57) **CLAIM**

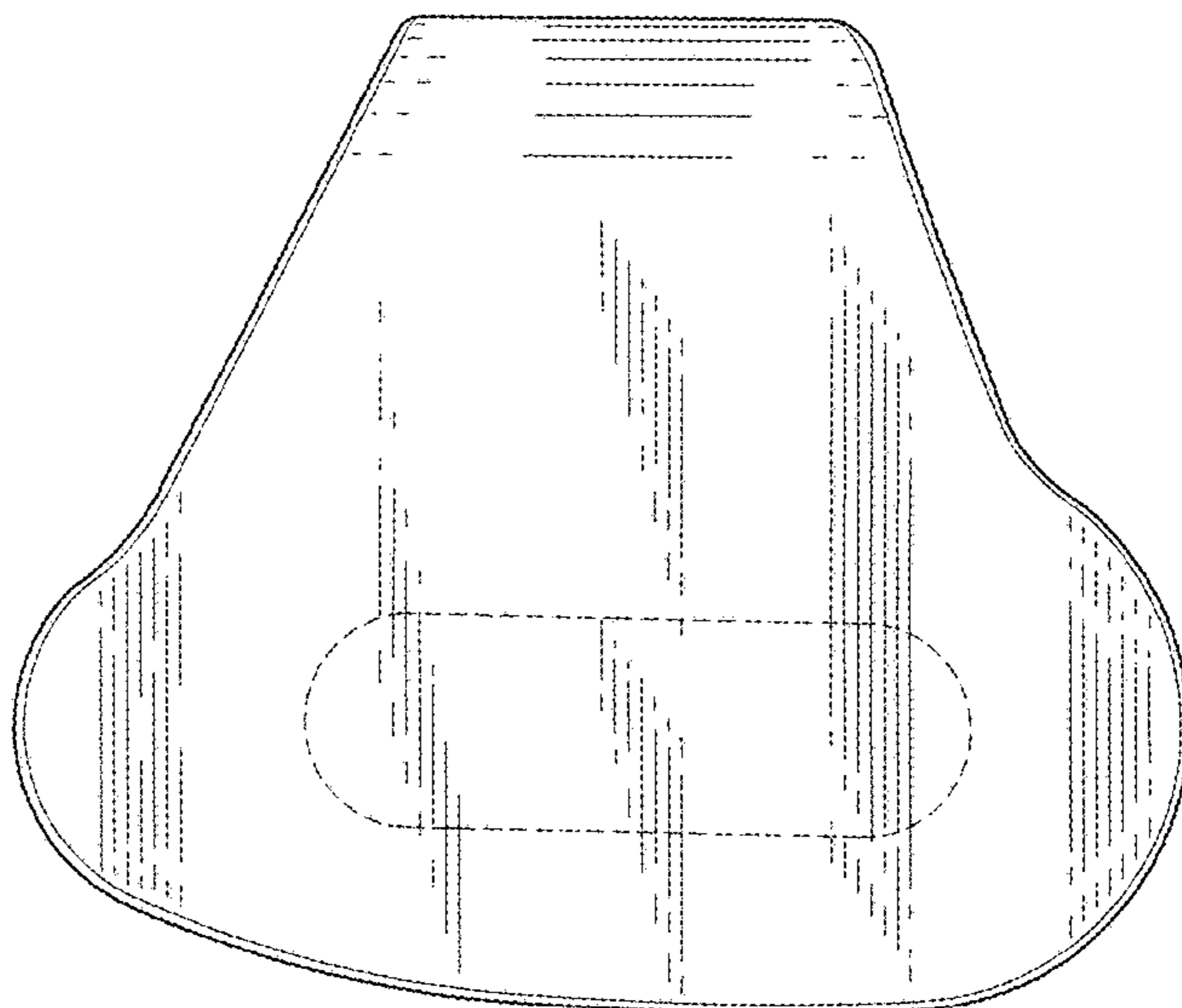
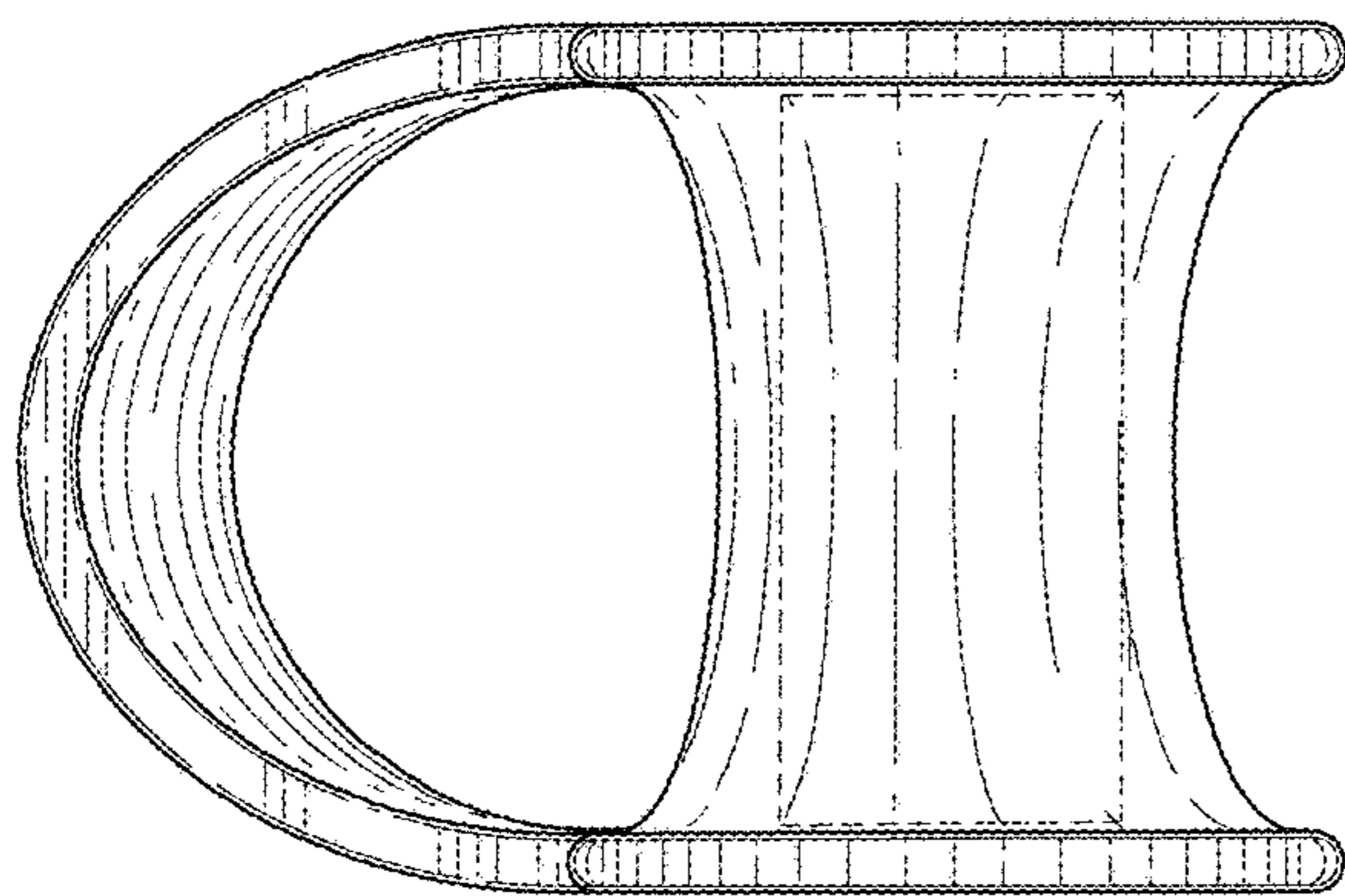
The ornamental design for a toe spreader, as shown and described.

DESCRIPTION

FIG. 1 is a front perspective view of a toe spreader of the present design;
FIG. 2 is a side view of the toe spreader of the design of FIG. 1;
FIG. 3 is a bottom view of the toe spreader of the design of FIG. 1;
FIG. 4 is a top view of the toe spreader of the design of FIG. 1;
FIG. 5 is a rear view of the toe spreader of the design of FIG. 1; and,
FIG. 6 is a front view of the toe spreader of the design of FIG. 1.

The broken lines shown in the drawing denotes a removable insert for the toe spreader of the present design that form no part of the claim.

1 Claim, 6 Drawing Sheets



(56)

References Cited

OTHER PUBLICATIONS

Amazon. Dr JK Bunion Relief, Toe Separators Bunion Pal Kit, 8 Piece of Bunion Pals to Fight Bunion! Bunion Corrector, Hallux Valgus, Toe Straighteners. Mar. 16, 2017. <https://www.amazon.com/dp/B06XPN7CZR/?tag=trfoa5k-20> (Year: 2017).*

2) Amazon. ViveSole Toe Spacers (4 Pack)—Gel Toe Ring Separator—Silicone Spreader Band—Corrector For Hammer Toe, Mallet Bunion Pain Relief, Overlapping Crooked Toes, Yoga, Plantar Fasciitis Orthotic.—Review (KaraO). Mar. 5, 2019. <https://amzn.to/37q1FJh> (Year: 2019).*

* cited by examiner

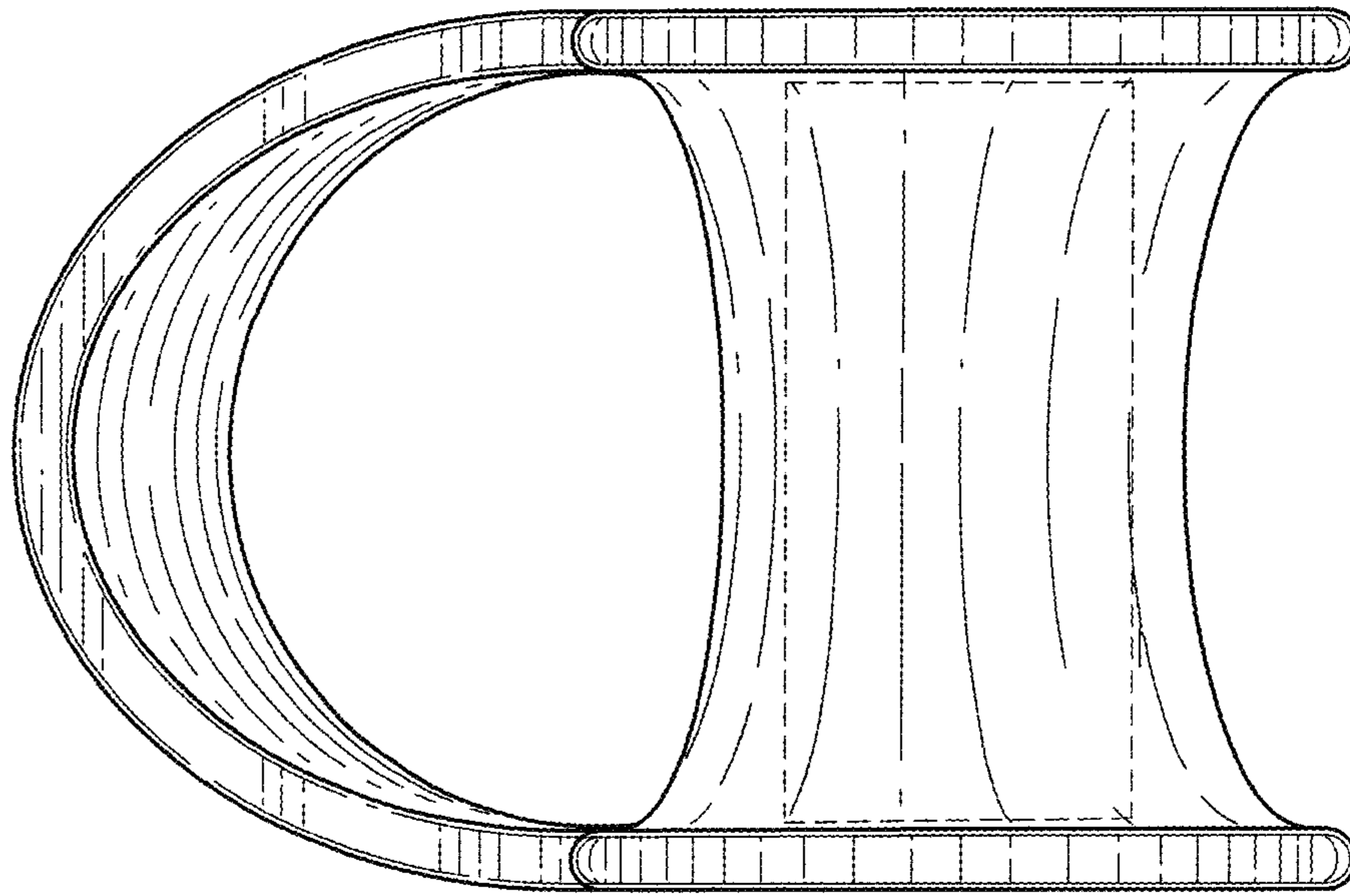


FIG. 1

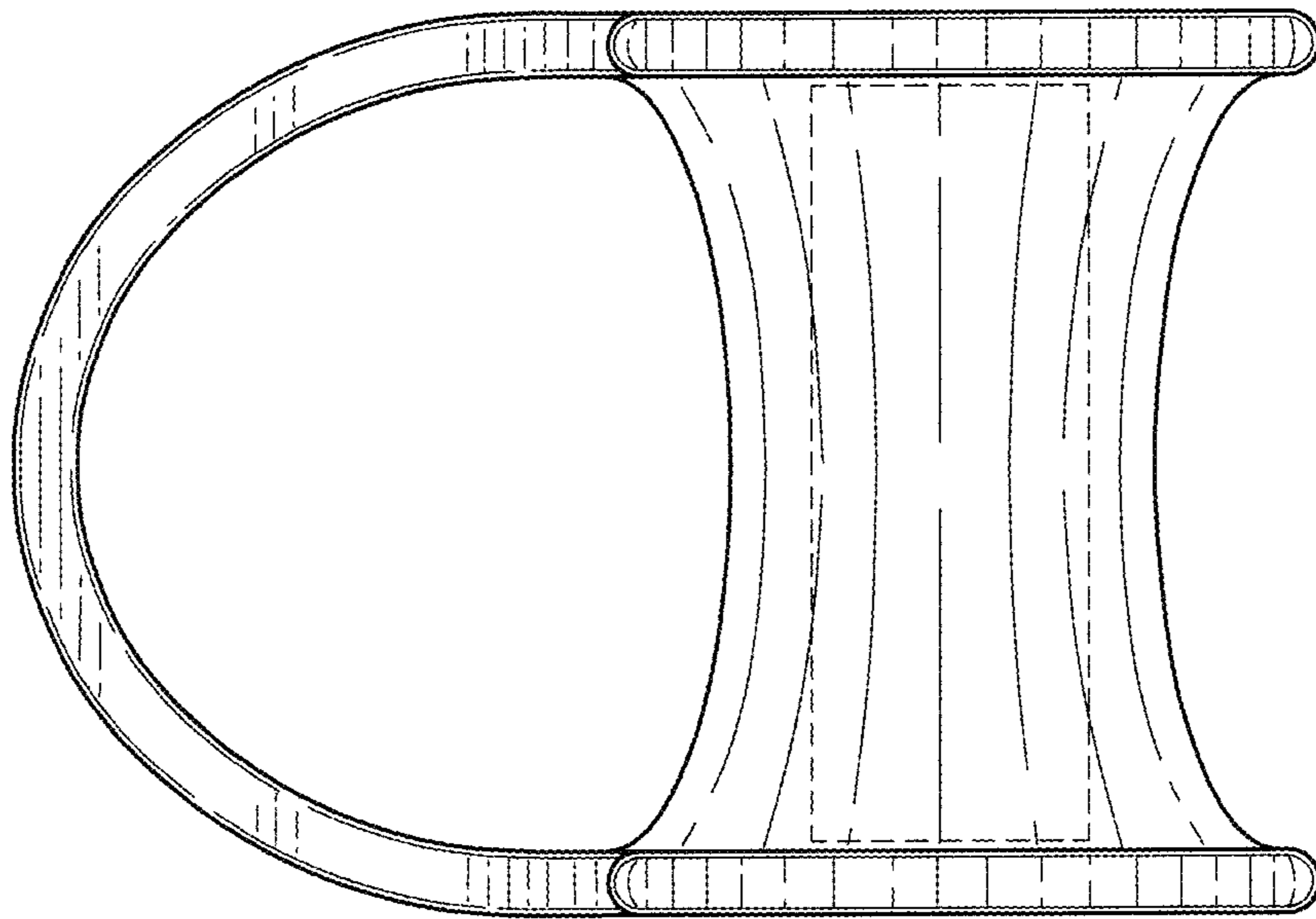


FIG. 2

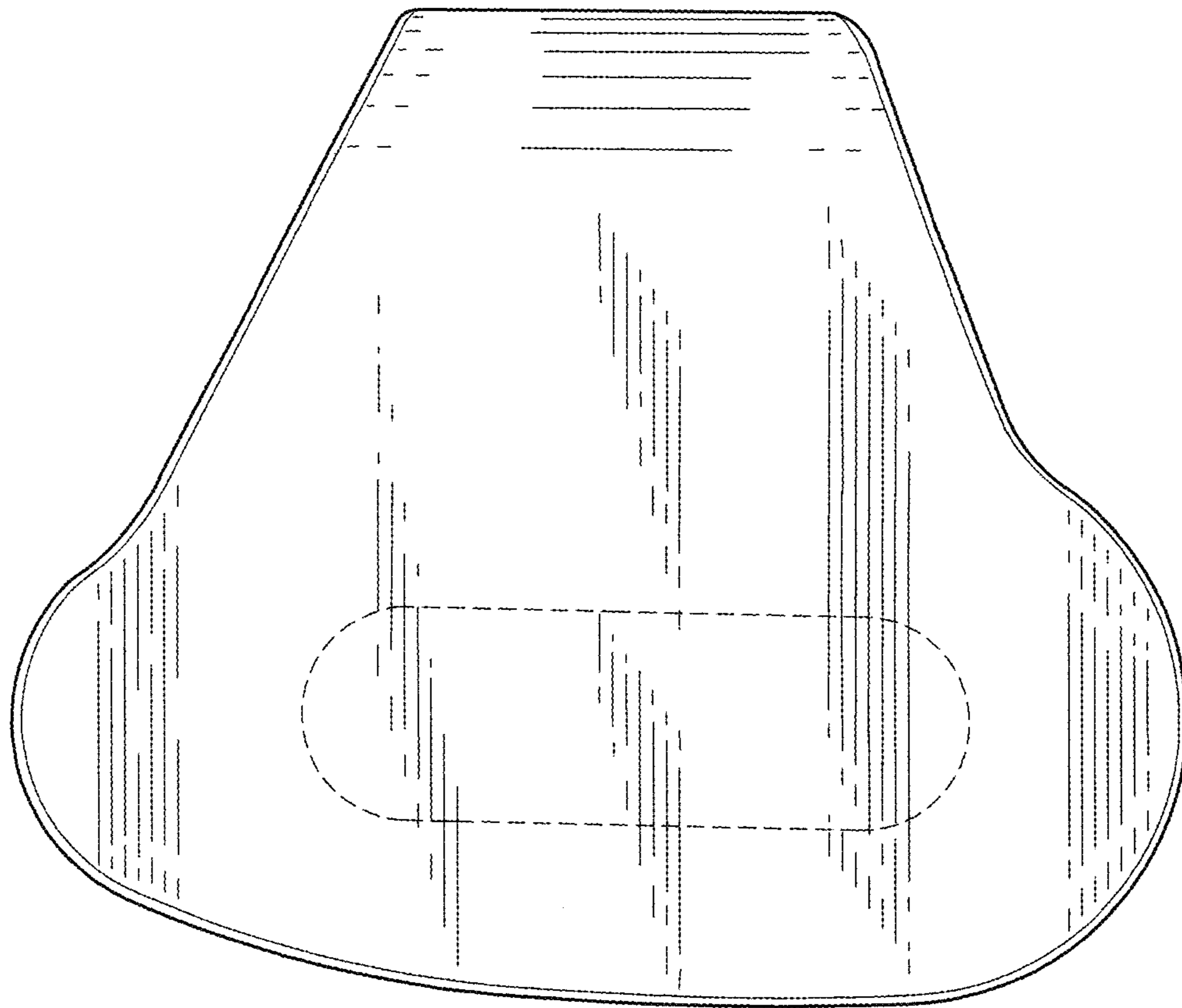


FIG. 3

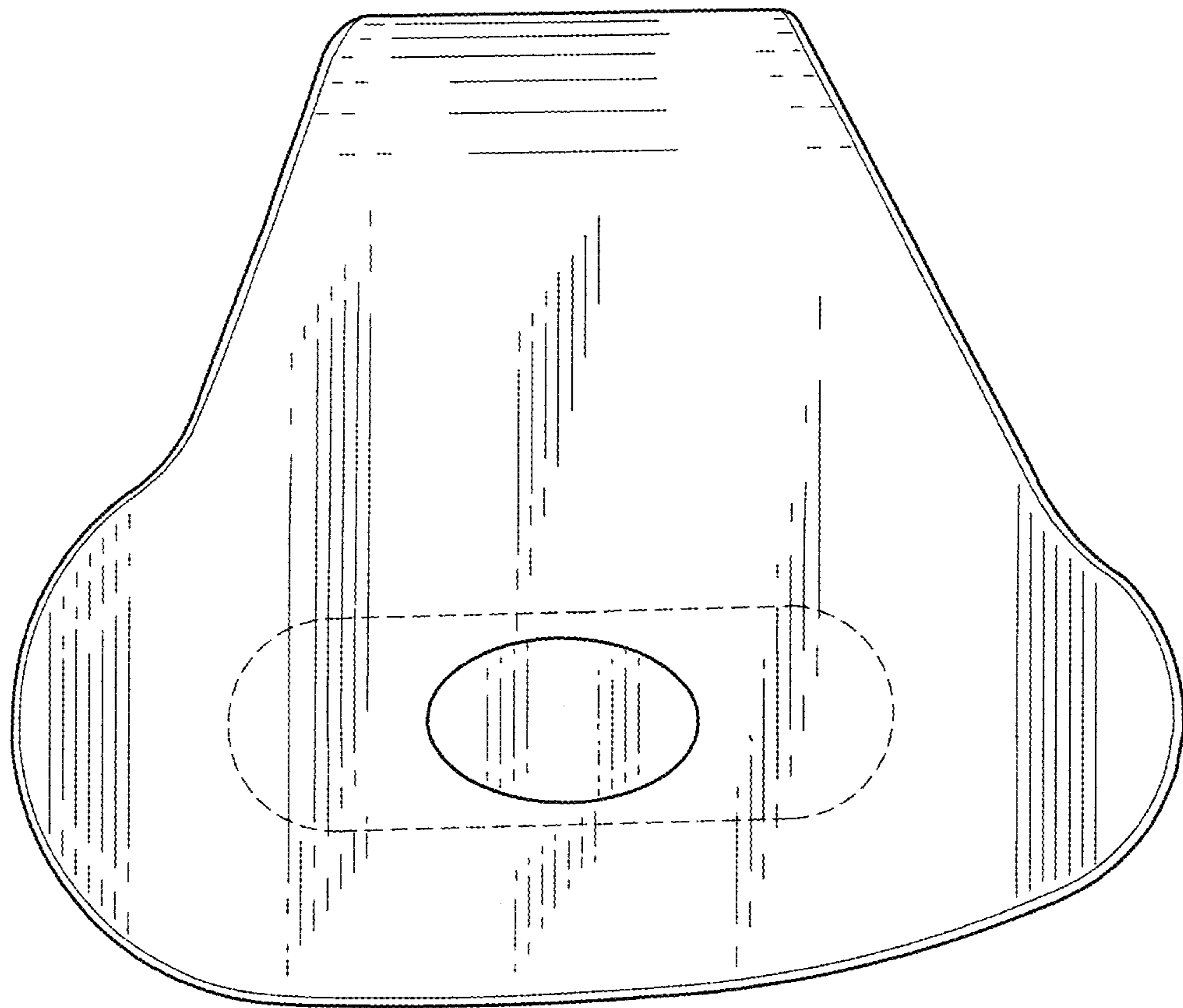


FIG. 4

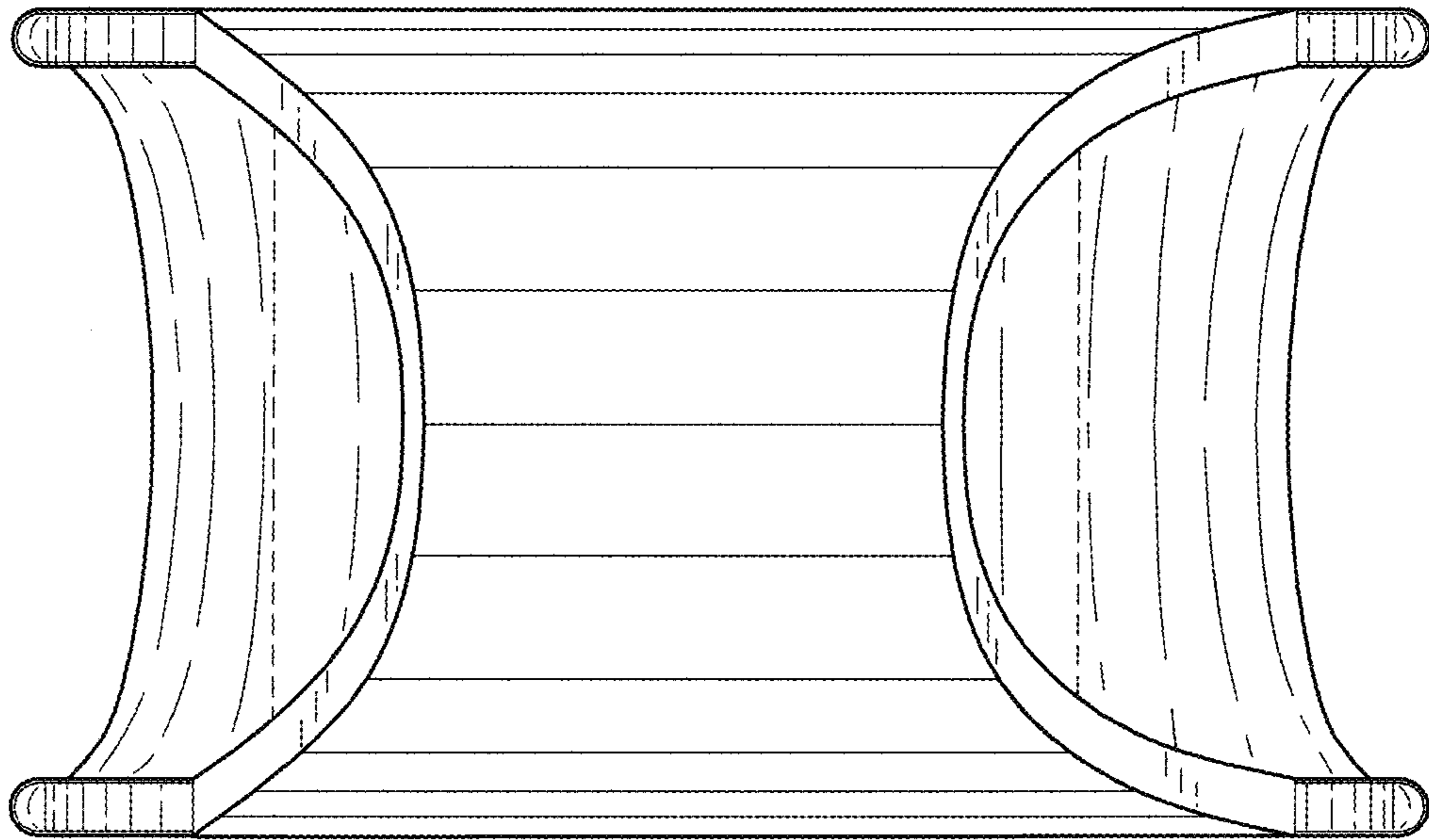


FIG. 5

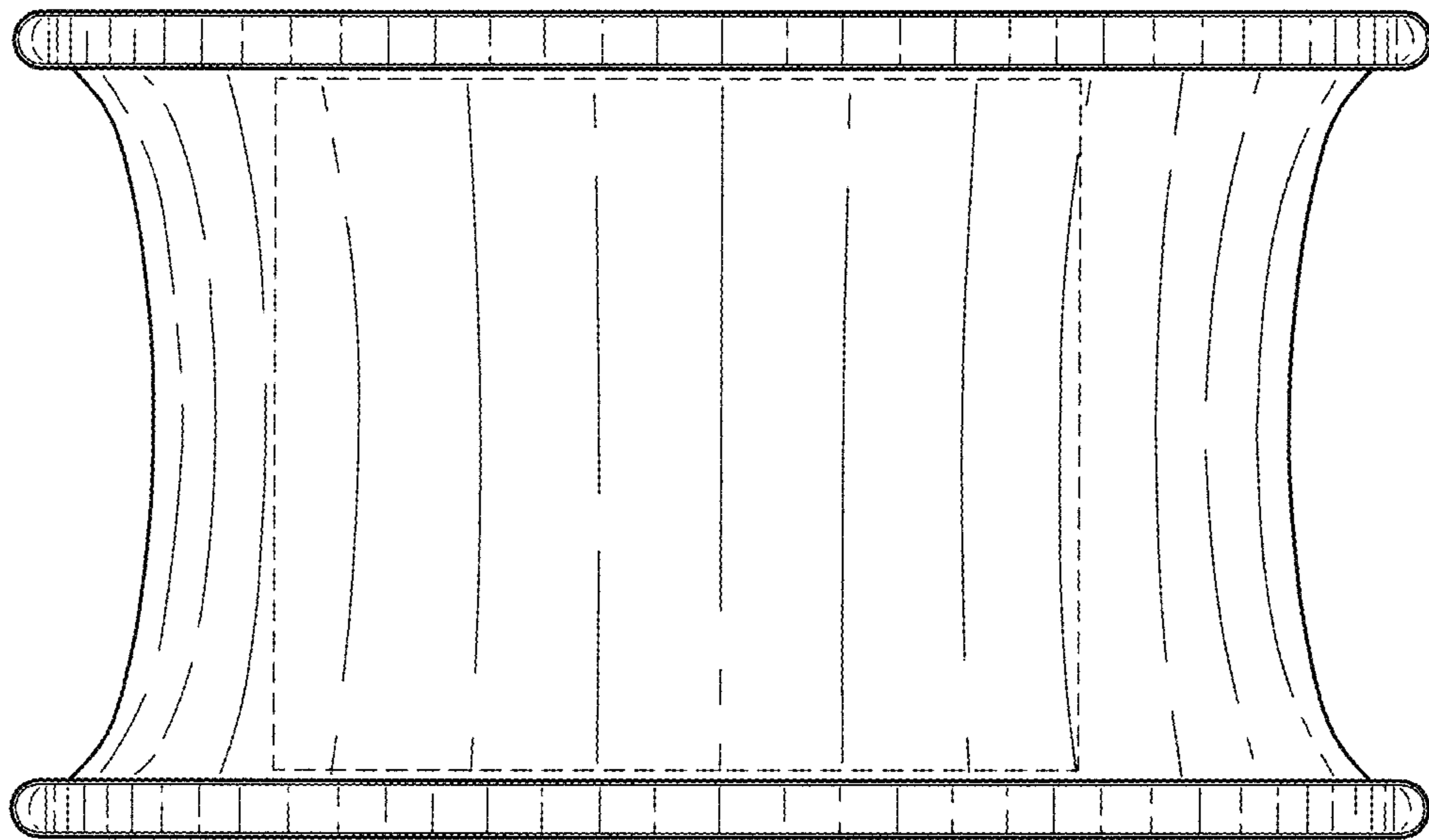


FIG. 6