



US00D928330S

(12) **United States Design Patent** (10) **Patent No.:** **US D928,330 S**  
**Itagaki et al.** (45) **Date of Patent:** **\*\* Aug. 17, 2021**

(54) **WEAR FOR MEASURING BIOLOGICAL SIGNAL**

FOREIGN PATENT DOCUMENTS

(71) Applicant: **Toray Industries, Inc.**, Tokyo (JP)

KR 3020130043527 \* 8/2013

(72) Inventors: **Ichiro Itagaki**, Tokyo (JP); **Hirokazu Sugihara**, Tokyo (JP); **Shunichi Nakamaru**, Tokyo (JP); **Hiromi Takarada**, Tokyo (JP); **Ryo Matsuo**, Tokyo (JP)

OTHER PUBLICATIONS

(73) Assignee: **TORAY INDUSTRIES, INC.**, Tokyo (JP)

Wearable ECG of smart garment. Online, published date unknown. Retrieved on Dec. 10, 2020 from URL: [https://www.researchgate.net/figure/Wearable-ECG-of-smart-garment-The-ECG-sensor-patches-5-were-placed-inside-the\\_fig1\\_330609182](https://www.researchgate.net/figure/Wearable-ECG-of-smart-garment-The-ECG-sensor-patches-5-were-placed-inside-the_fig1_330609182).\*

(\*\*) Term: **15 Years**

Equivital Starter Pack (Single). Online, published date unknown. Retrieved on Dec. 10, 2020 from URL: <https://www.adinstruments.com/products/equivital-starter-pack-single>.\*

(21) Appl. No.: **29/702,514**

\* cited by examiner

(22) Filed: **Aug. 20, 2019**

*Primary Examiner* — Janice Hallmark

*Assistant Examiner* — Omeed Agilee

(30) **Foreign Application Priority Data**

(74) *Attorney, Agent, or Firm* — Manabu Kanesaka

Feb. 25, 2019 (JP) ..... 2019-003733

(51) **LOC (13) Cl.** ..... **24-02**

(57) **CLAIM**

The ornamental design for a wear for measuring biological signal, as shown and described.

(52) **U.S. Cl.**  
USPC ..... **D24/187**

**DESCRIPTION**

(58) **Field of Classification Search**  
USPC ..... D24/168, 186–187, 189, 192, 200, 232  
CPC ..... A61B 5/0428; A61B 5/0404  
See application file for complete search history.

FIG. 1 is a front view of a wear for measuring biological signal showing our new design;  
FIG. 2 is a rear view thereof;  
FIG. 3 is a top plan view thereof;  
FIG. 4 is a bottom view thereof;  
FIG. 5 is a right side view thereof;  
FIG. 6 is a left side view thereof;  
FIG. 7 is a cross-sectional view thereof along the line 7-7 in FIG. 6;  
FIG. 8 is a cross-sectional view thereof along the line 8-8 in FIG. 6; and,

(56) **References Cited**

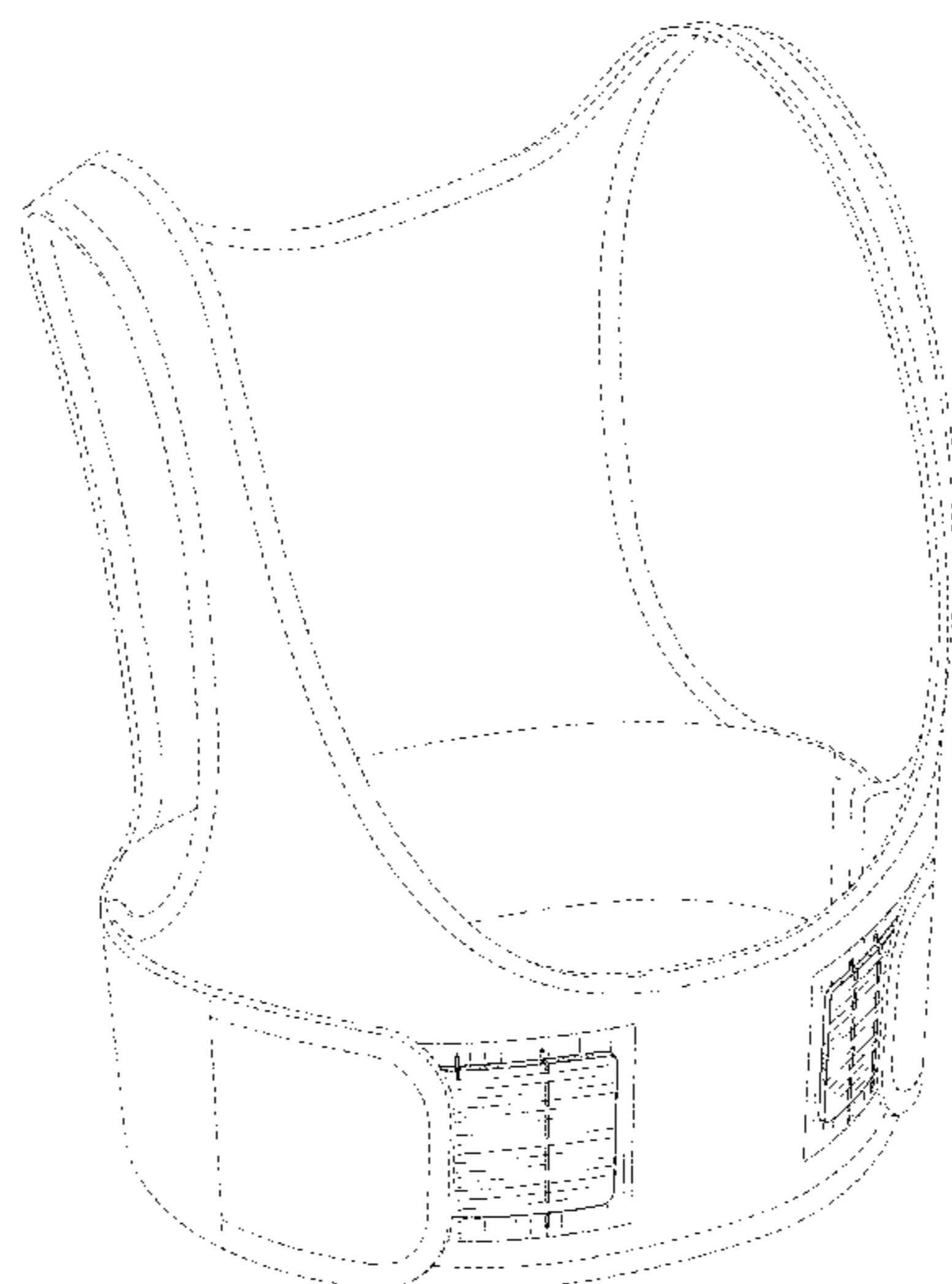
U.S. PATENT DOCUMENTS

|              |         |            |       |         |
|--------------|---------|------------|-------|---------|
| D231,497 S * | 4/1974  | Hinnenkamp | ..... | D24/168 |
| D702,361 S * | 4/2014  | Weber      | ..... | D24/200 |
| D733,307 S * | 6/2015  | Suzuki     | ..... | D24/187 |
| D744,109 S * | 11/2015 | Yoneta     | ..... | D24/186 |
| D749,748 S * | 2/2016  | Suzuki     | ..... | D24/232 |
| D761,435 S * | 7/2016  | Mizuno     | ..... | D24/187 |
| D773,058 S * | 11/2016 | Takizawa   | ..... | D24/187 |
| D778,451 S * | 2/2017  | Takizawa   | ..... | D24/187 |
| D810,947 S * | 2/2018  | Larson     | ..... | D24/186 |
| D898,924 S * | 10/2020 | Hinds      | ..... | D24/189 |

FIG. 9 is a perspective view of the state in which a front panel and back panel are joined.

The dashed broken lines depict portions of the wear for measuring biological signal that form no part of claimed design, and the dot-dash broken lines define the bounds of the claimed design and form no part thereof.

**1 Claim, 7 Drawing Sheets**



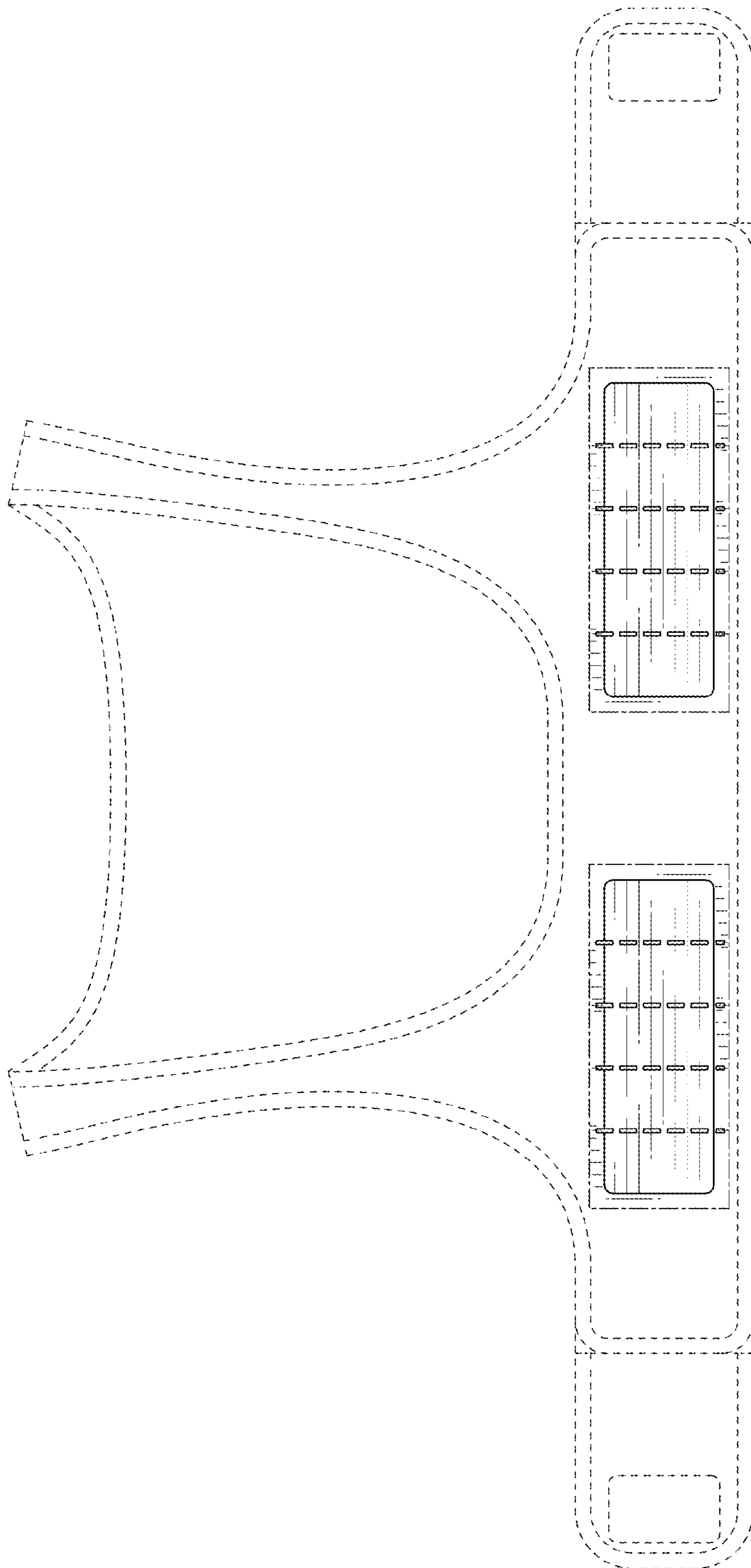


FIG. 1

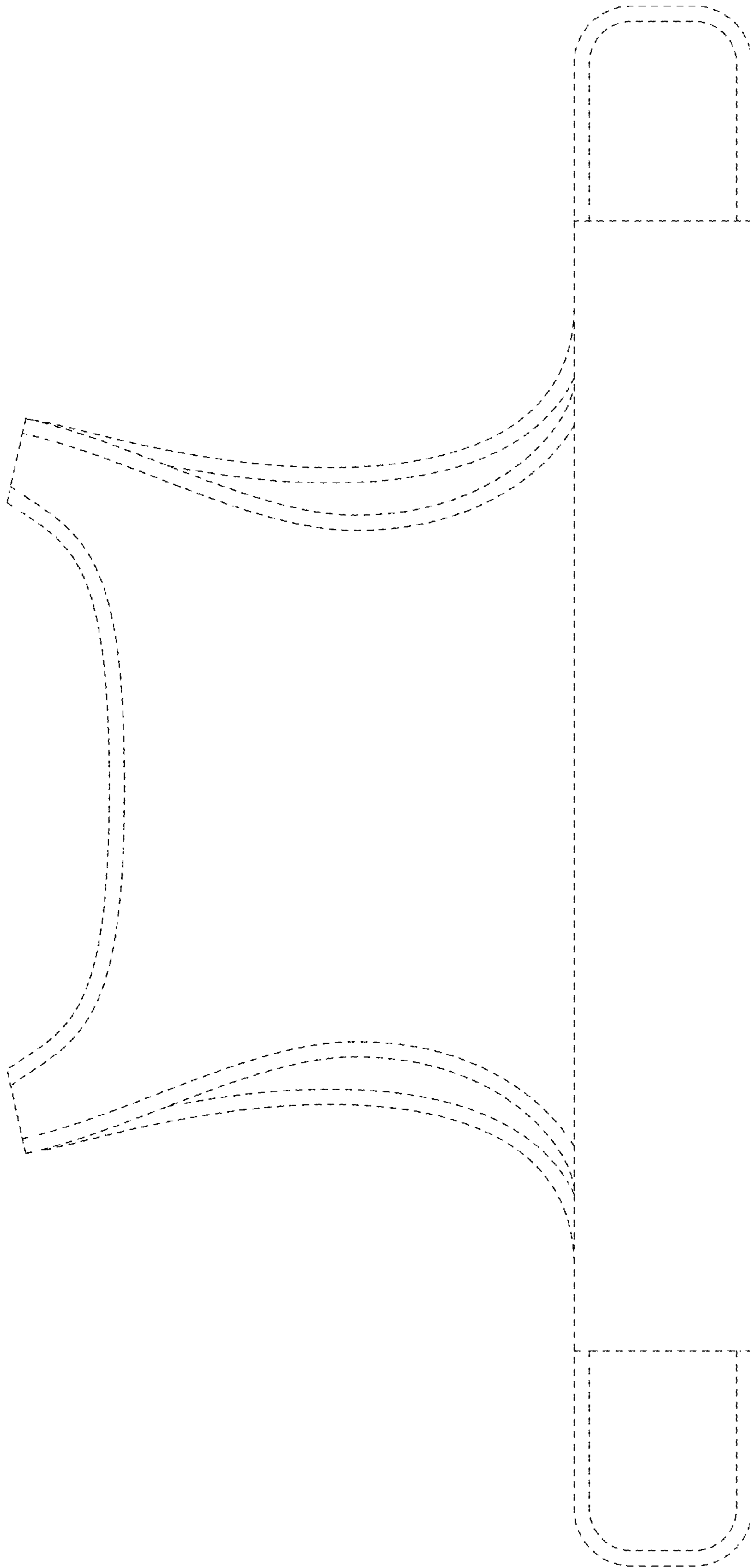


FIG. 2

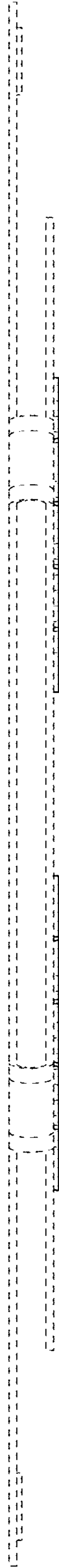


FIG. 3

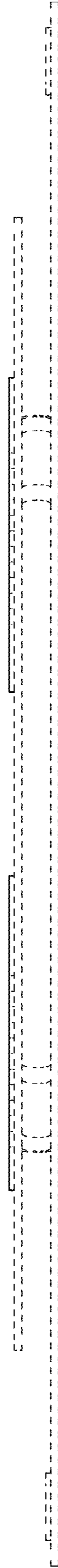


FIG. 4

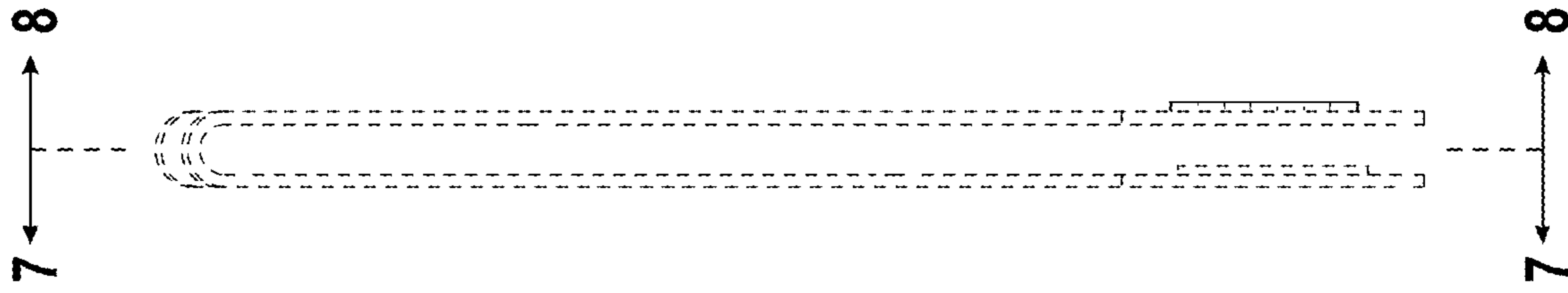


FIG. 5

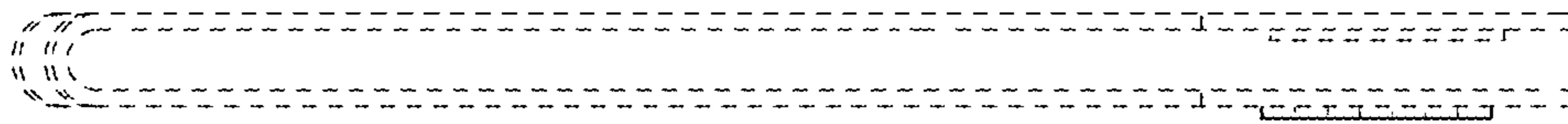


FIG. 6

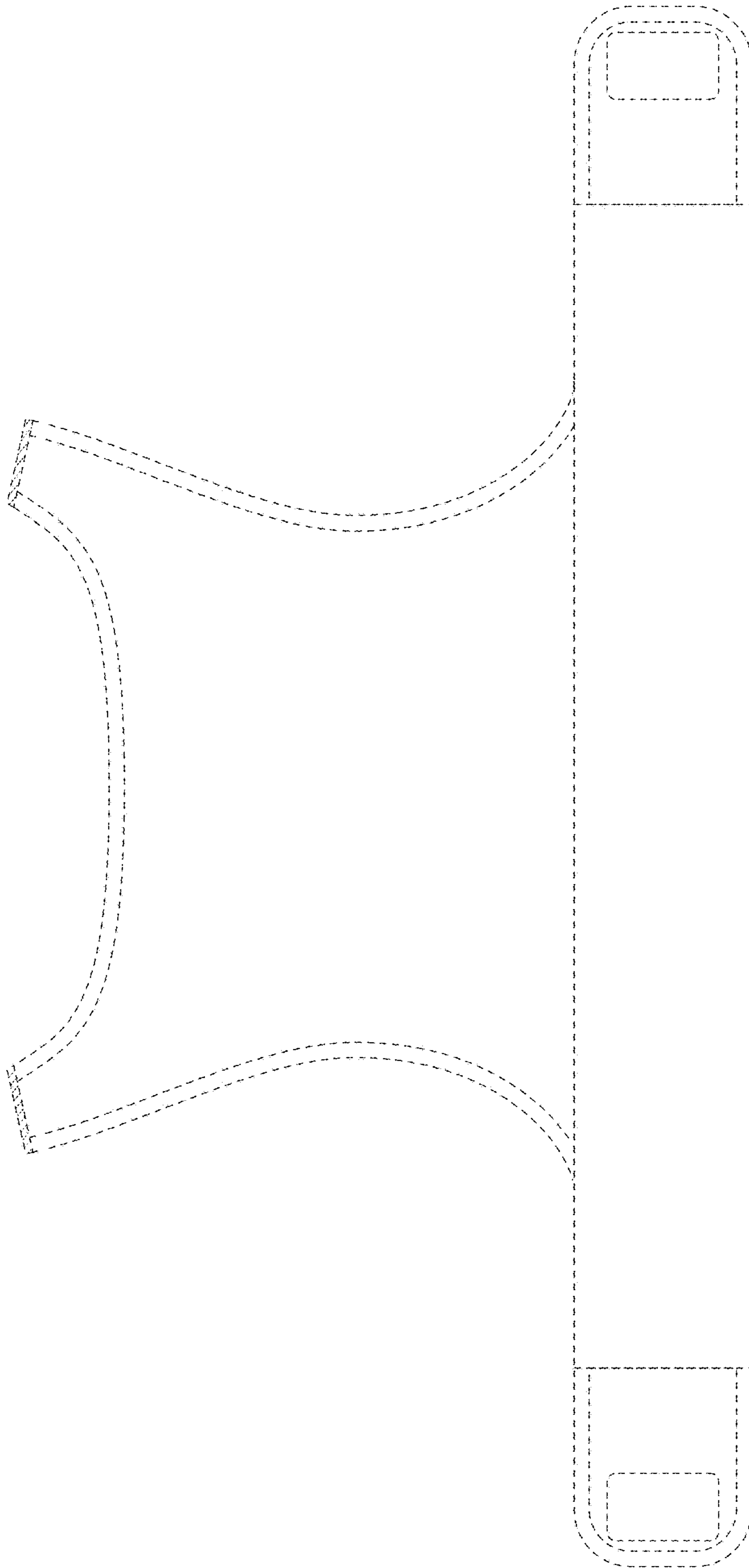


FIG. 7

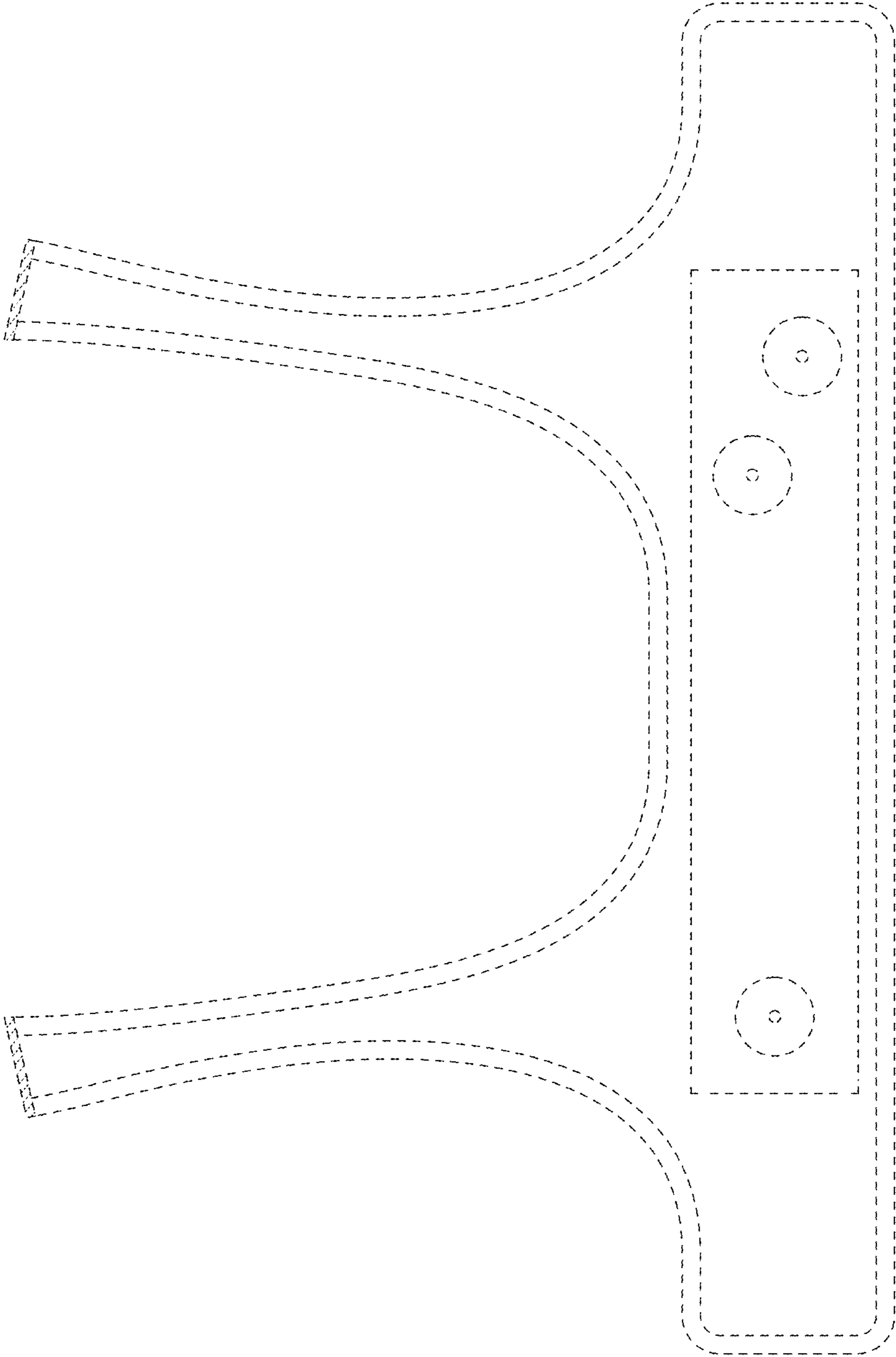


FIG. 8

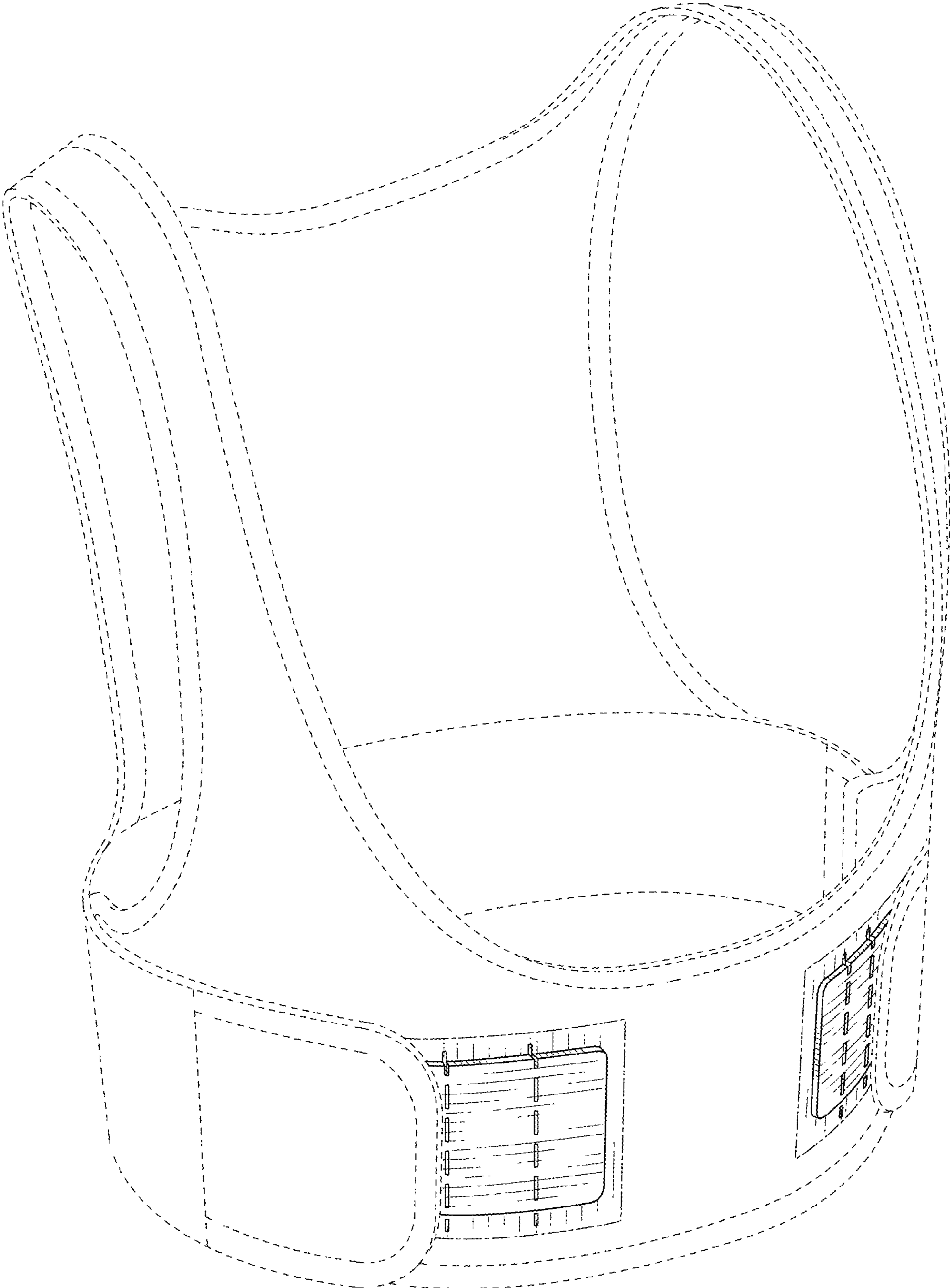


FIG. 9