



US00D928324S

(12) **United States Design Patent** (10) **Patent No.:** **US D928,324 S**
Smith et al. (45) **Date of Patent:** **** Aug. 17, 2021**

(54) **DEFIBRILLATOR**

(71) Applicant: **Avive Solutions, Inc.**, San Francisco, CA (US)
(72) Inventors: **Anthony Joseph Smith**, Berkeley, CA (US); **Chloe Rekow Georgiades**, San Francisco, CA (US); **Gordon Moseley P. Andrews**, Ross, CA (US); **Rory M. Beyer**, San Mateo, CA (US); **Sameer Jafri**, San Diego, CA (US); **Eliza Tehan**, San Francisco, CA (US); **Stephanie Lee**, San Jose, CA (US); **Alexis De Stasio**, San Francisco, CA (US); **Yoshikazu Hoshino**, San Francisco, CA (US); **Gad Amit**, San Mateo, CA (US); **Priscilla M. Agosto Mercado**, Caguas, PR (US); **Randal J. Bertuccelli**, Mount Aukum, CA (US)
(73) Assignee: **Avive Solutions, Inc.**, San Francisco, CA (US)

(**) Term: **15 Years**

(21) Appl. No.: **35/001,730**

(22) Filed: **Aug. 20, 2019**

(80) **Hague Agreement Data**

Int. Filing Date: **Aug. 20, 2019**
Int. Reg. No.: **DM/206453**
Int. Reg. Date: **Aug. 20, 2019**
Int. Reg. Pub. Date: **Mar. 20, 2020**

(51) **LOC (13) Cl.** **24-01**

(52) **U.S. Cl.**
USPC **D24/167; D24/186**

(58) **Field of Classification Search**
USPC **D24/107, 164–167, 186, 187, 200; D14/358, 388, 389**
CPC **A61N 1/3956; A61N 1/3975; A61N 1/39622; A61N 1/3993; A61N 1/37229; A61N 1/37276**

See application file for complete search history.

(56) **References Cited**

U.S. PATENT DOCUMENTS

4,157,720 A	6/1979	Greatbatch	
D693,248 S	11/2013	Anderssen et al.	
D702,354 S	4/2014	Larsen et al.	
D749,570 S	2/2016	Lee	
D800,721 S	10/2017	Kim et al.	
D803,410 S	11/2017	Im et al.	
D814,323 S	4/2018	Bedingham	
D847,998 S	5/2019	Nakar et al.	
D855,807 S	8/2019	Schroeder	
D864,345 S	10/2019	Yi	
D869,462 S *	12/2019	Ke	D14/344
D870,450 S	12/2019	Albright et al.	
D879,150 S	3/2020	Kusano et al.	
D893,032 S *	8/2020	Smith	D24/167
D900,808 S *	11/2020	Vandenbussche	D14/344
D903,664 S *	12/2020	Riot	D14/344

(Continued)

Primary Examiner — Eliza Z Bennett-Hattan

(74) *Attorney, Agent, or Firm* — Beyer Law Group LLP

(57) **CLAIM**

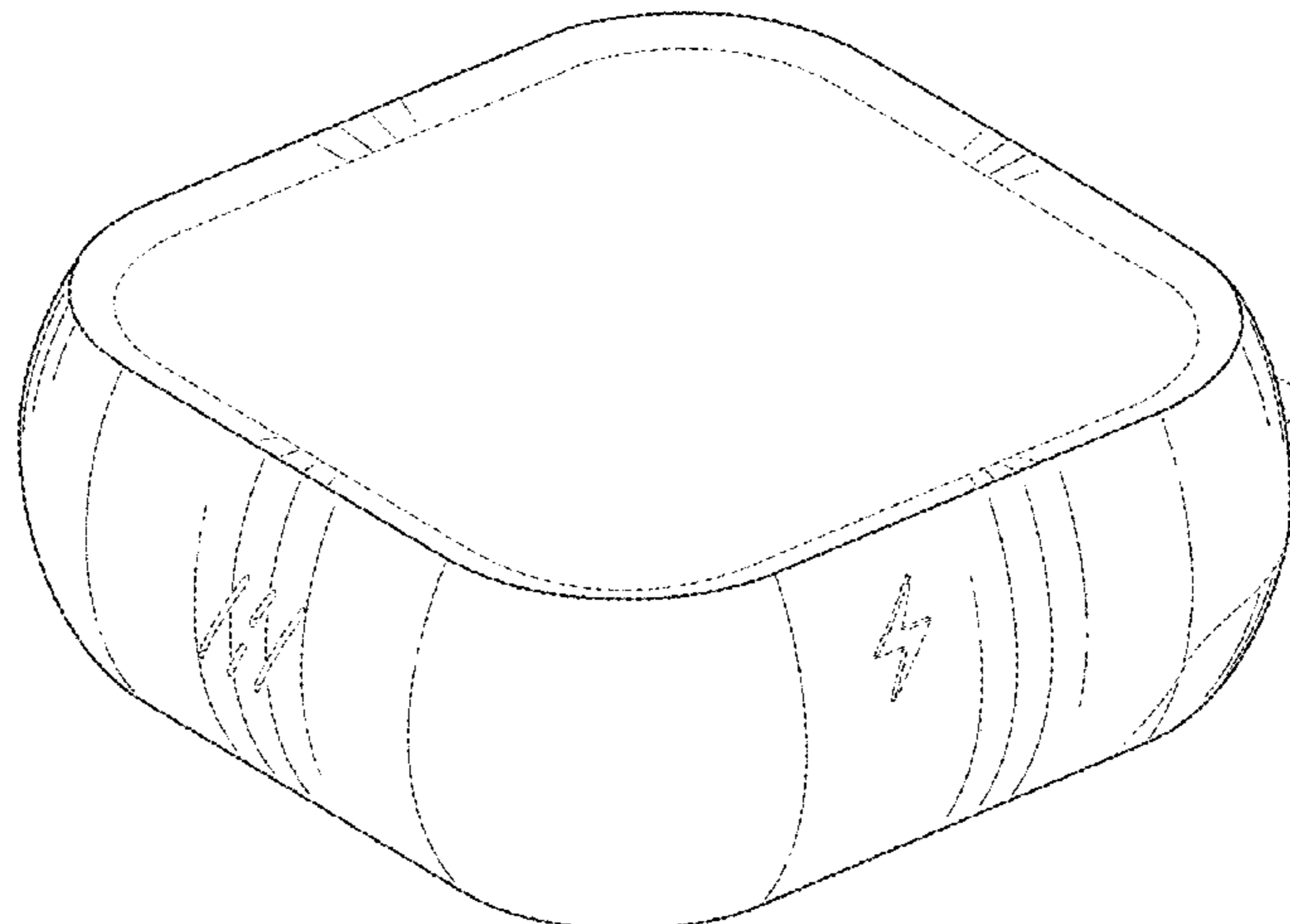
The ornamental design for a defibrillator, as shown and described.

DESCRIPTION

- 2. Defibrillator
- 2.1 : Perspective
- 2.2 : Perspective
- 2.3 : Front
- 2.4 : Back
- 2.5 : Bottom
- 2.6 : Top
- 2.7 : Left
- 2.8 : Right

The broken lines in the drawings are for illustrative purposes only and form no part of the claimed designs.

1 Claim, 8 Drawing Sheets



(56)

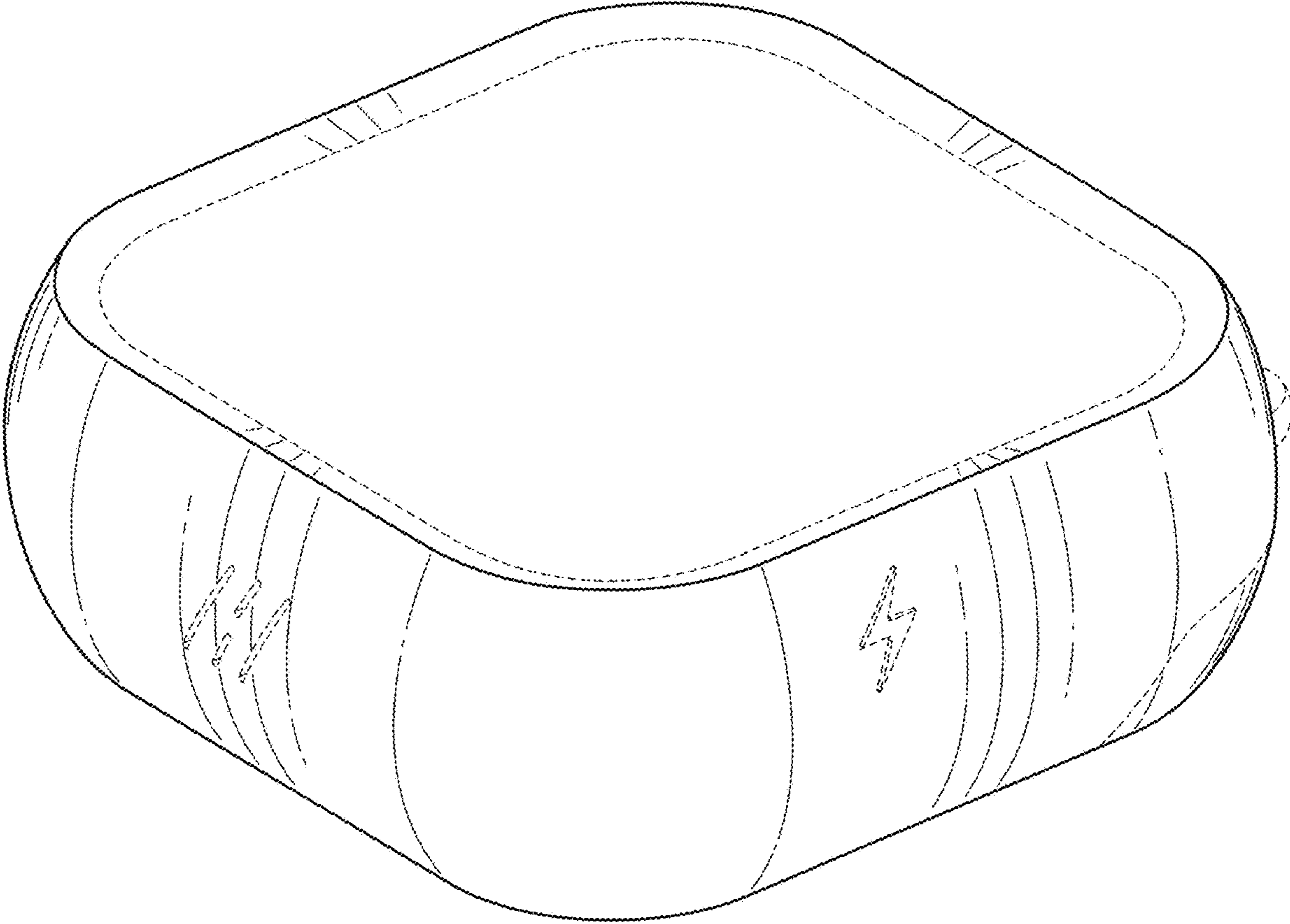
References Cited

U.S. PATENT DOCUMENTS

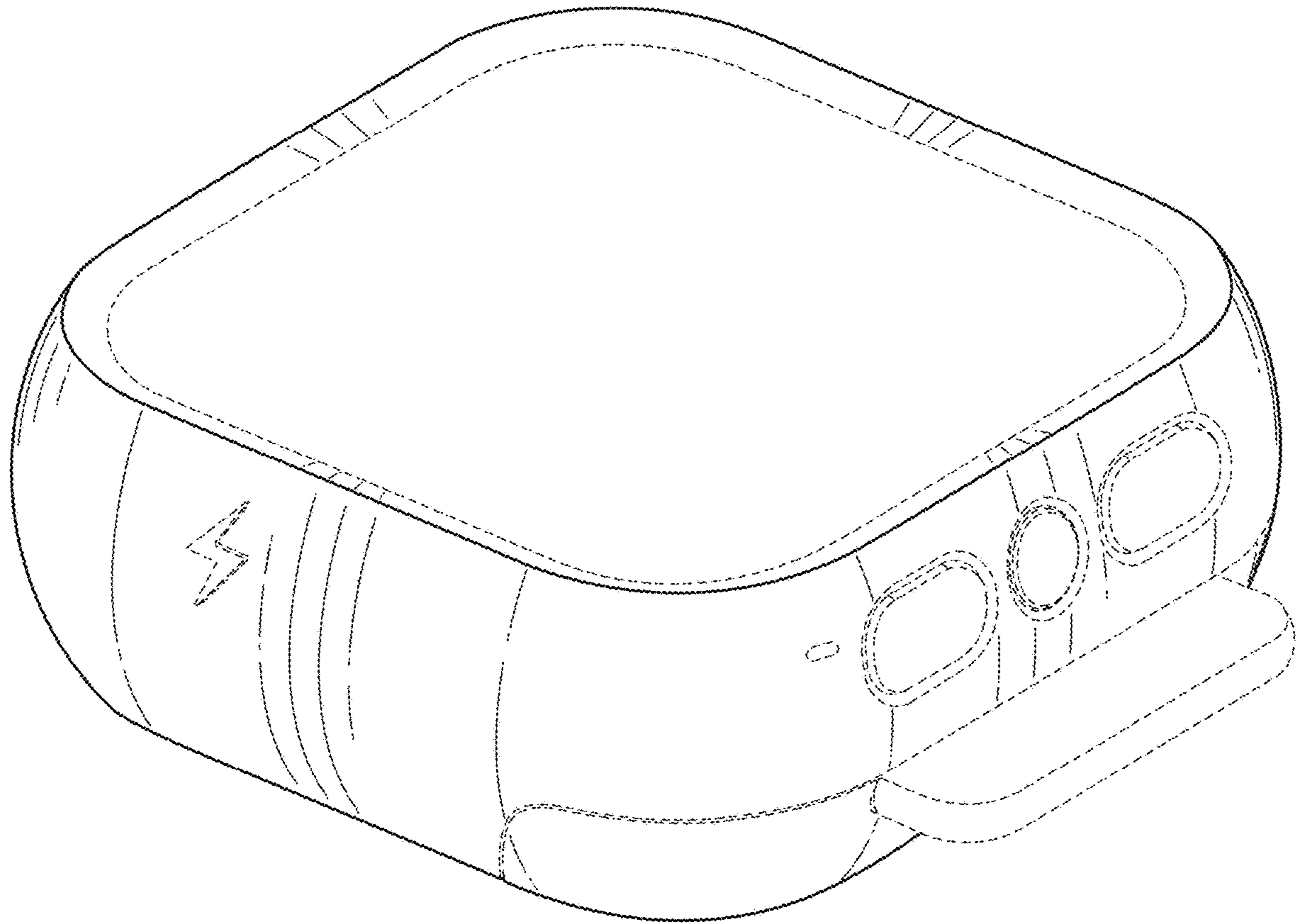
D905,027 S * 12/2020 Chang D14/240
D907,114 S * 1/2021 Hernandez D19/86
2020/0094044 A1 3/2020 Andrews et al.

* cited by examiner

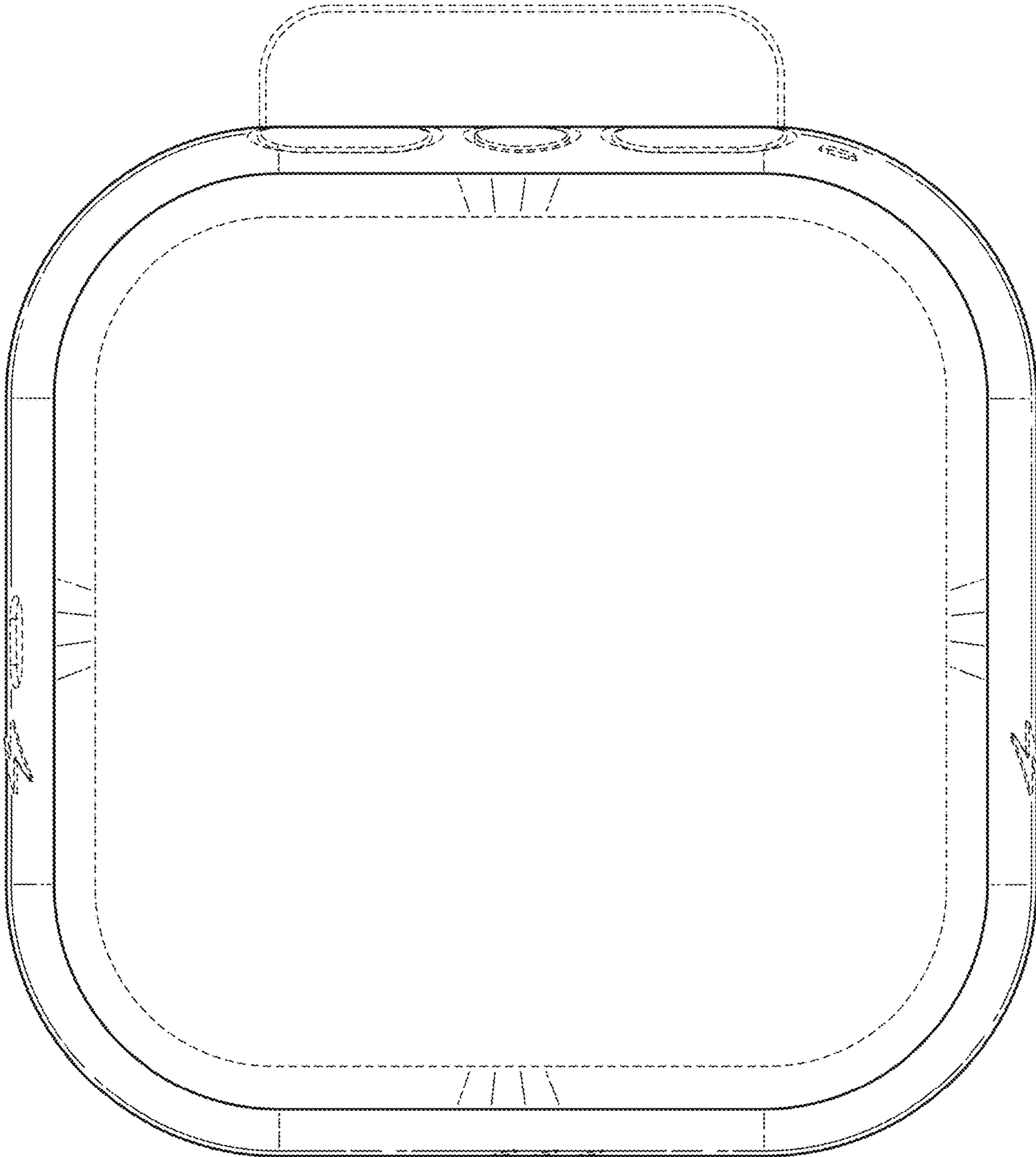
2.1



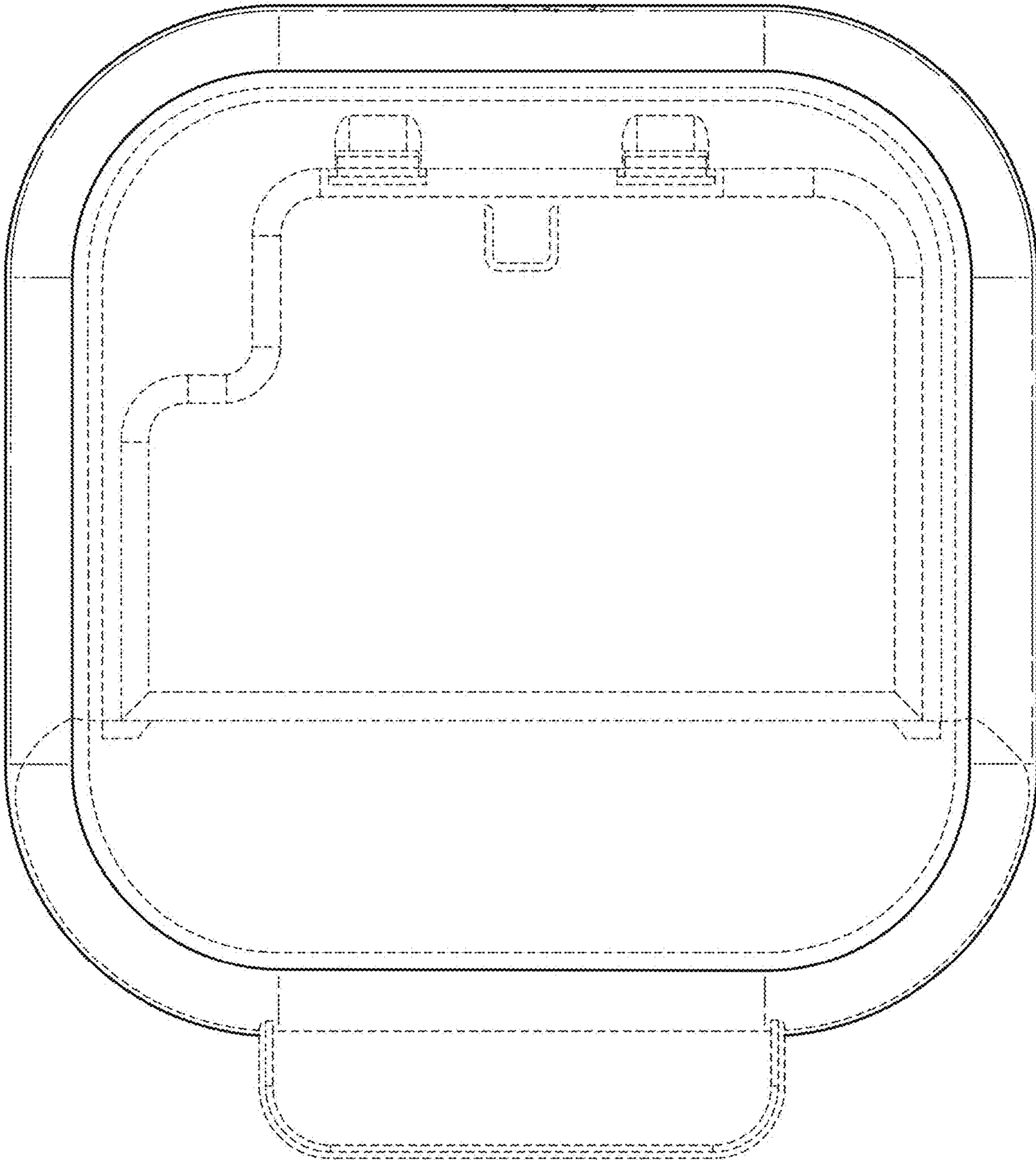
2.2



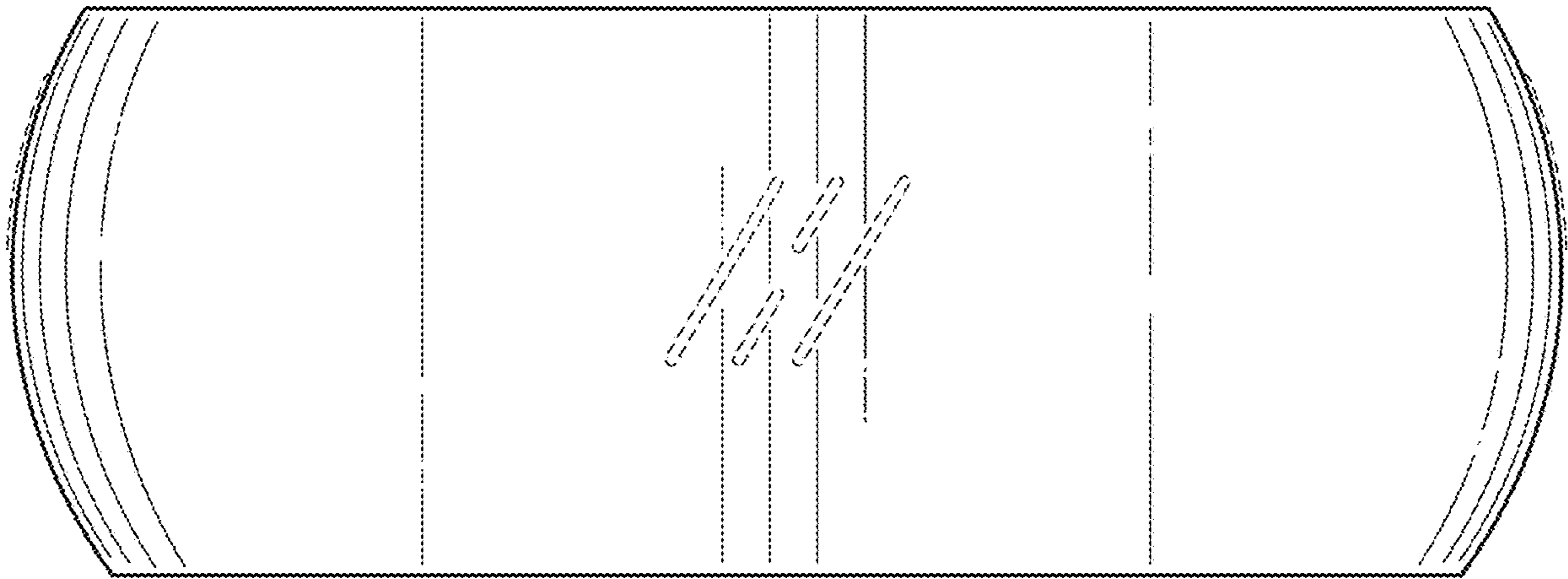
2.3



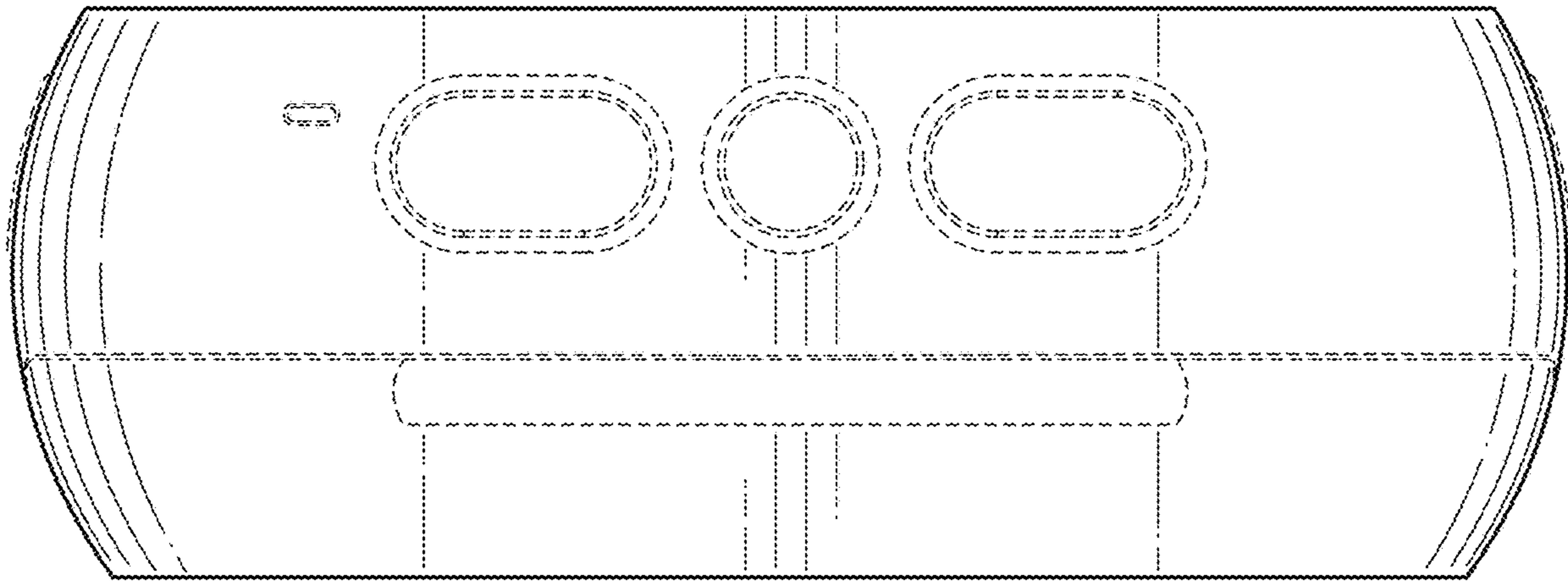
2.4



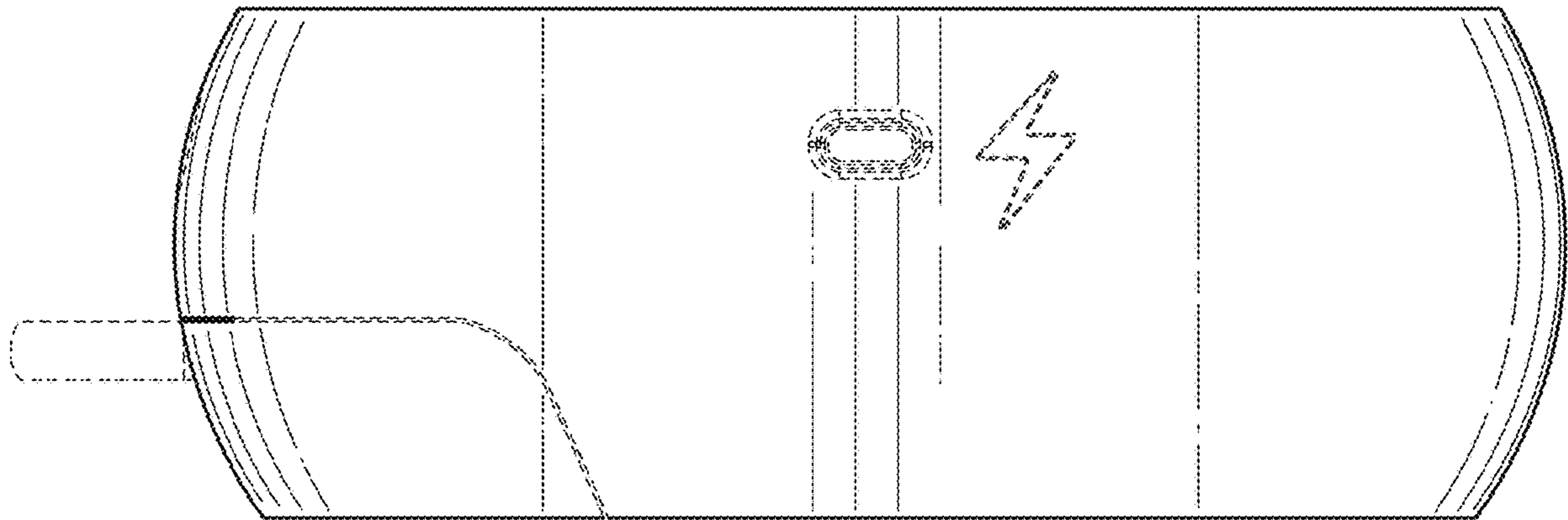
2.5



2.6



2.7



2.8

