

US00D928321S

(12) **United States Design Patent**
Kingsley

(10) **Patent No.:** **US D928,321 S**

(45) **Date of Patent:** **** Aug. 17, 2021**

(54) **BAYONET SURGICAL SCISSOR**

(71) Applicant: **Julian Goodheart Kingsley,**
Brunswick, ME (US)

(72) Inventor: **Julian Goodheart Kingsley,**
Brunswick, ME (US)

(**) Term: **15 Years**

(21) Appl. No.: **29/698,703**

(22) Filed: **Jul. 18, 2019**

(51) **LOC (13) Cl.** **24-02**

(52) **U.S. Cl.**
USPC **D24/148**

(58) **Field of Classification Search**
USPC D24/148, 133, 143, 146, 147; D8/52, 57,
D8/58
CPC A61B 17/28; A61B 17/122; A61B 17/282;
A61B 17/295; A61B 17/1285; A61B
17/2841; A61B 2017/29; A61B
2017/2808; A61B 2017/2825; A61B
2017/2905; A61B 2017/2926; A61B
18/1442; A61B 18/1445

See application file for complete search history.

(56) **References Cited**

U.S. PATENT DOCUMENTS

D281,104 S	*	10/1985	Davison	D24/148
D310,714 S	*	9/1990	Dolwick	D24/148
D362,607 S	*	9/1995	Fisher	D8/52
D365,878 S	*	1/1996	Blake	D24/143
D536,587 S	*	2/2007	Zaremski	D24/148
D617,905 S	*	6/2010	Moorman	D24/148
D896,378 S	*	9/2020	McCusker	D24/143

OTHER PUBLICATIONS

Scissoron.com, Operating Scissor Bayonet Shape Shanks, undated online product page retrieved Jun. 16, 2021 from <URL:https://scissoron.com/operating-scissor-bayonet-shape> (Year: 2021).*
BiancoBrothers.com, BB CC-155 Cobalt Classic Cut Shear, undated online product page retrieved Jun. 16, 2021 from <URL:https://www.biancobrothers.com/product-p/bb-cc-155.htm> (Year: 2021).*

* cited by examiner

Primary Examiner — Brandon M Rosati

Assistant Examiner — Calvin E Vansant

(57) **CLAIM**

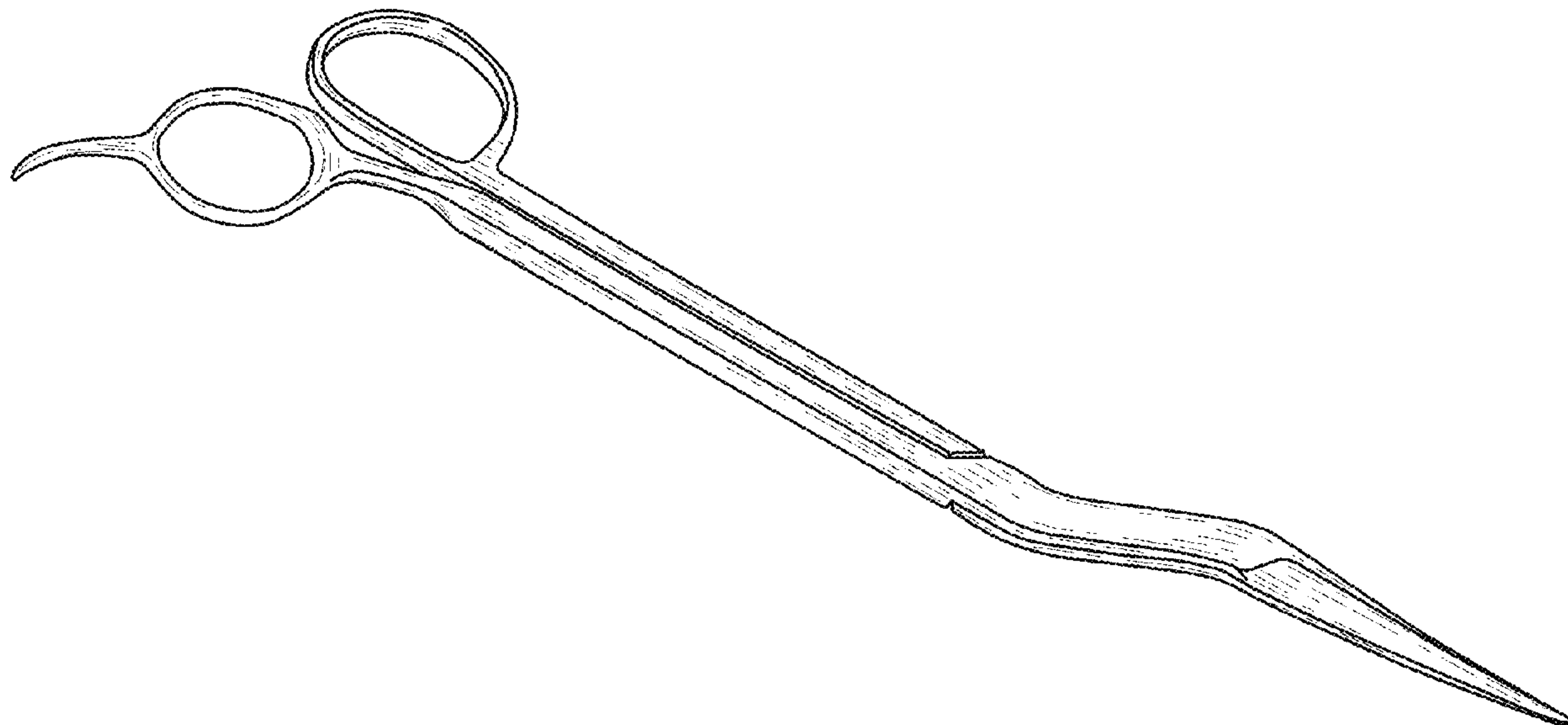
The ornamental design for a bayonet surgical scissor, as shown and described.

DESCRIPTION

FIG. 1 is a perspective view of a bayonet surgical scissor showing my design;
FIG. 2 is a front side view thereof;
FIG. 3 is a rear side view thereof;
FIG. 4 is an enlarged left side view thereof;
FIG. 5 is an enlarged right side view thereof;
FIG. 6 is a top elevational view thereof; and,
FIG. 7 is a bottom elevational view thereof.

The broken line showing the bayonet surgical scissor in FIGS. 6-7 are included for the purpose of showing environmental structure of a screw and form no part of the claimed design.

1 Claim, 7 Drawing Sheets



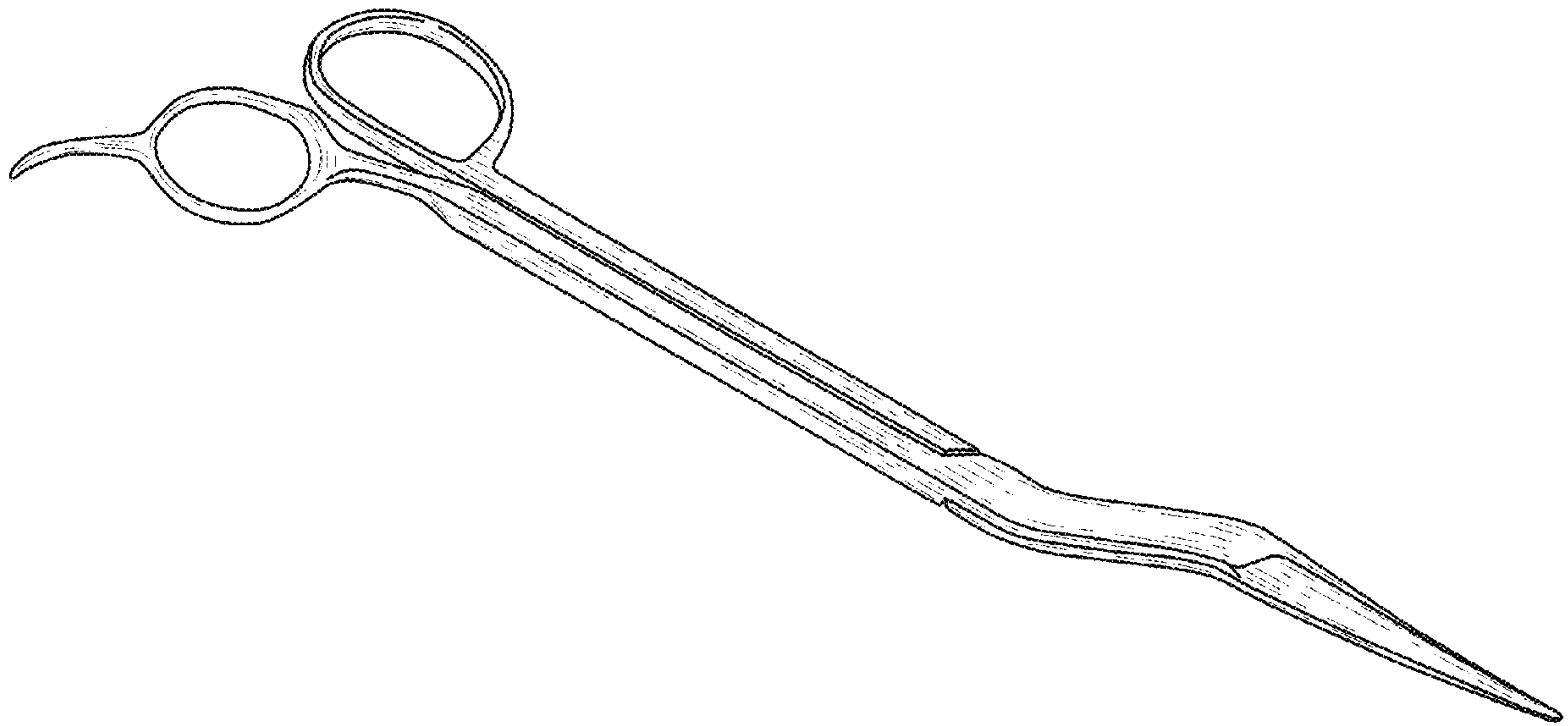


FIG. 1

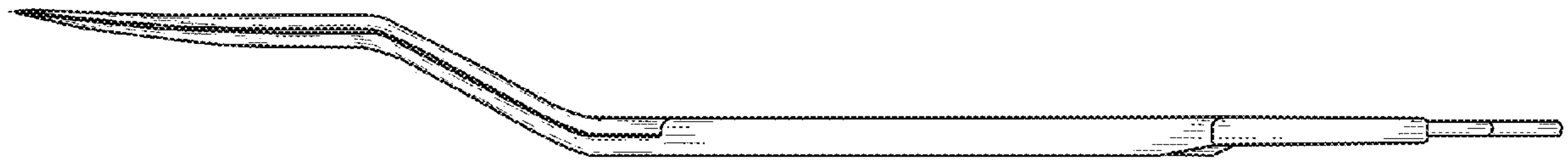


FIG. 2

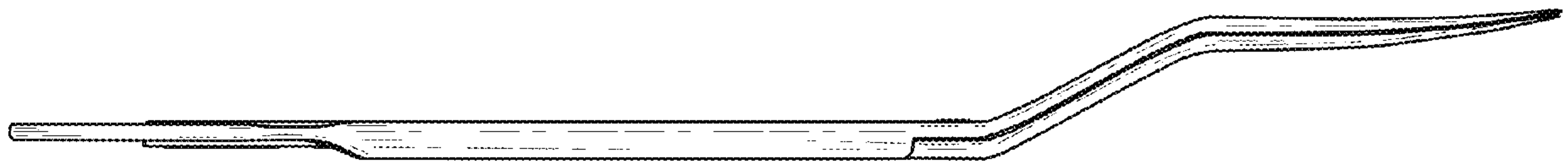


FIG. 3

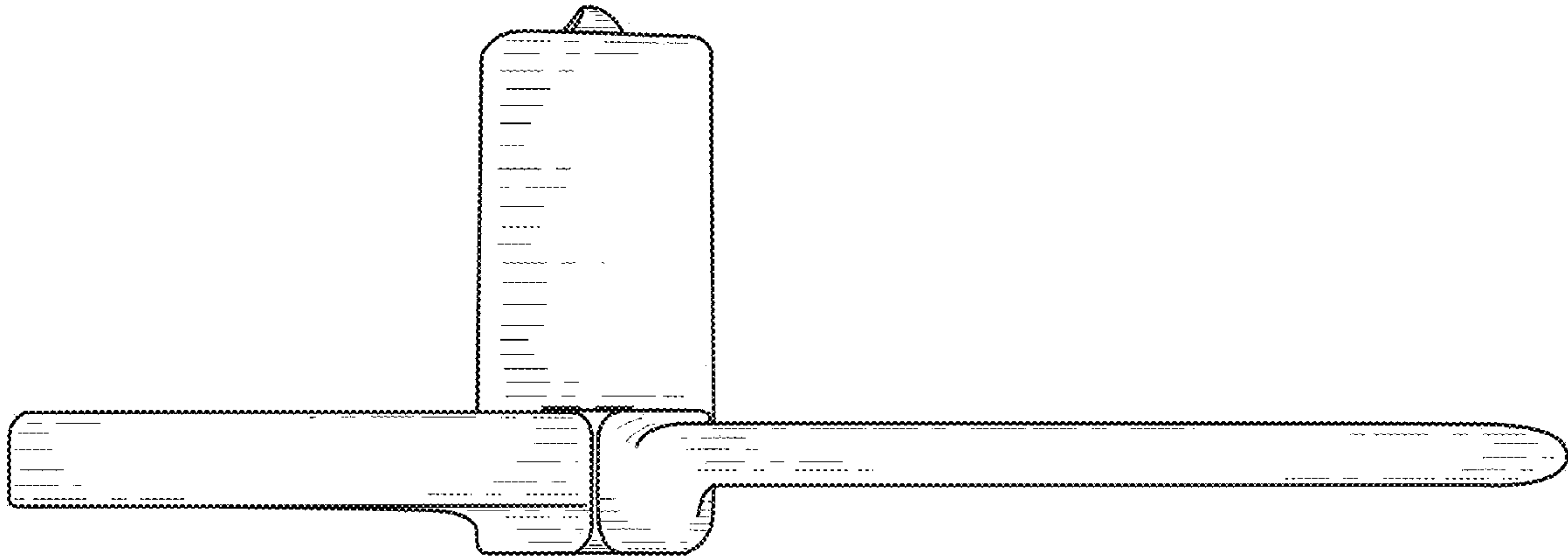


FIG. 4

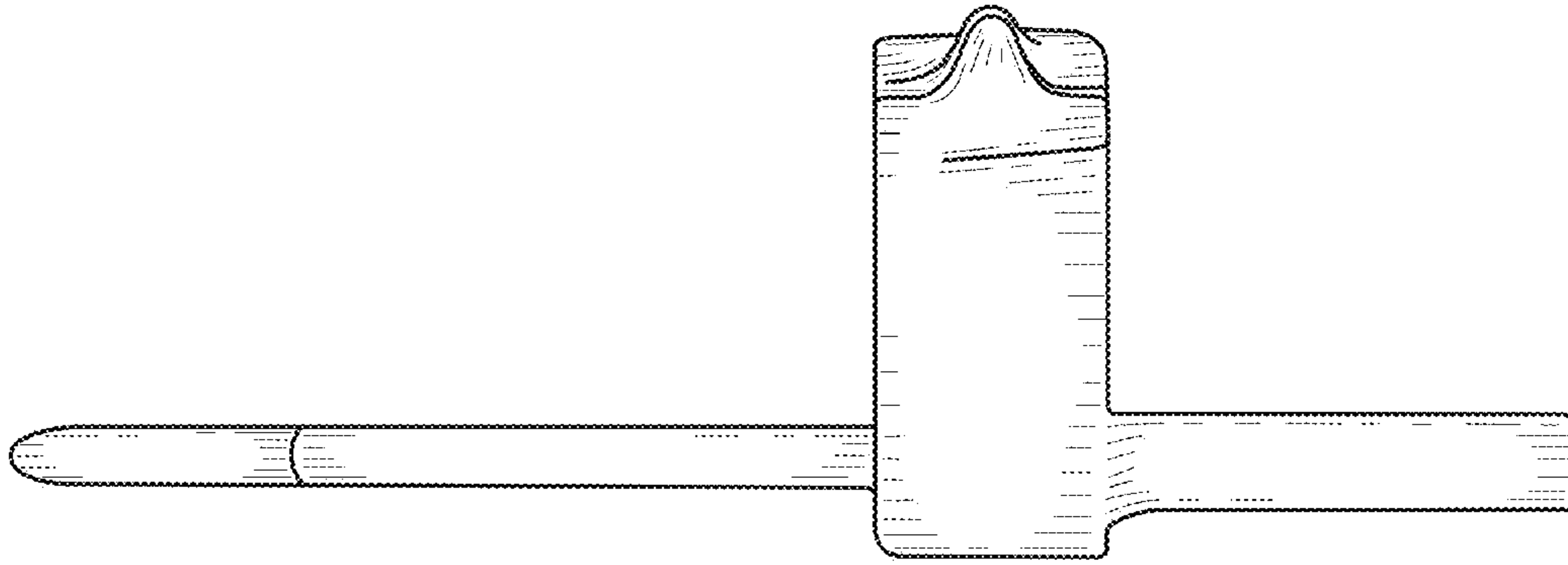


FIG. 5

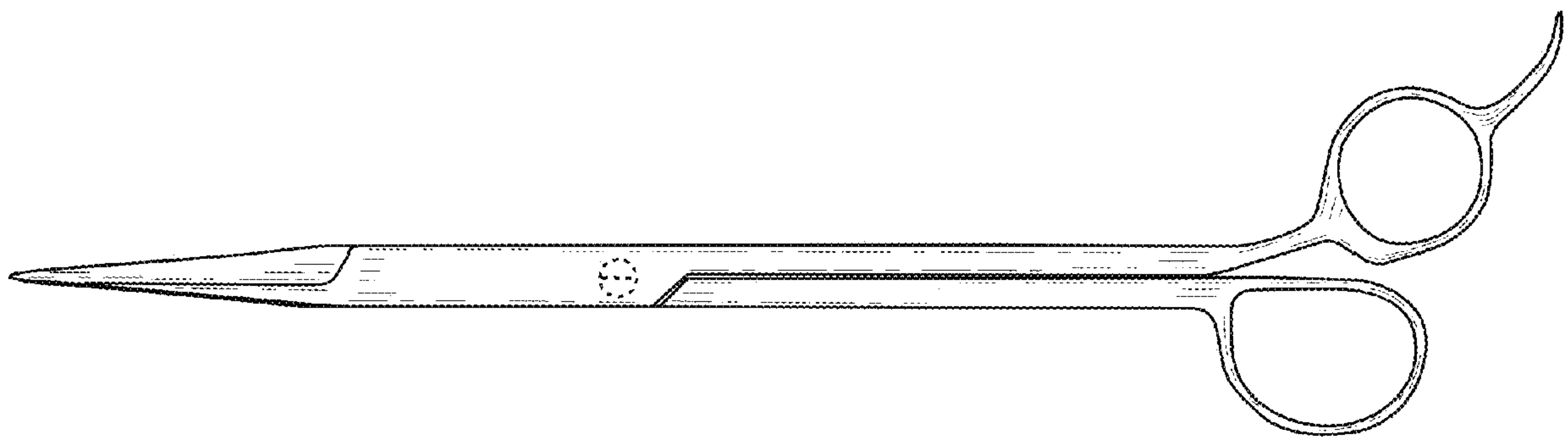


FIG. 6

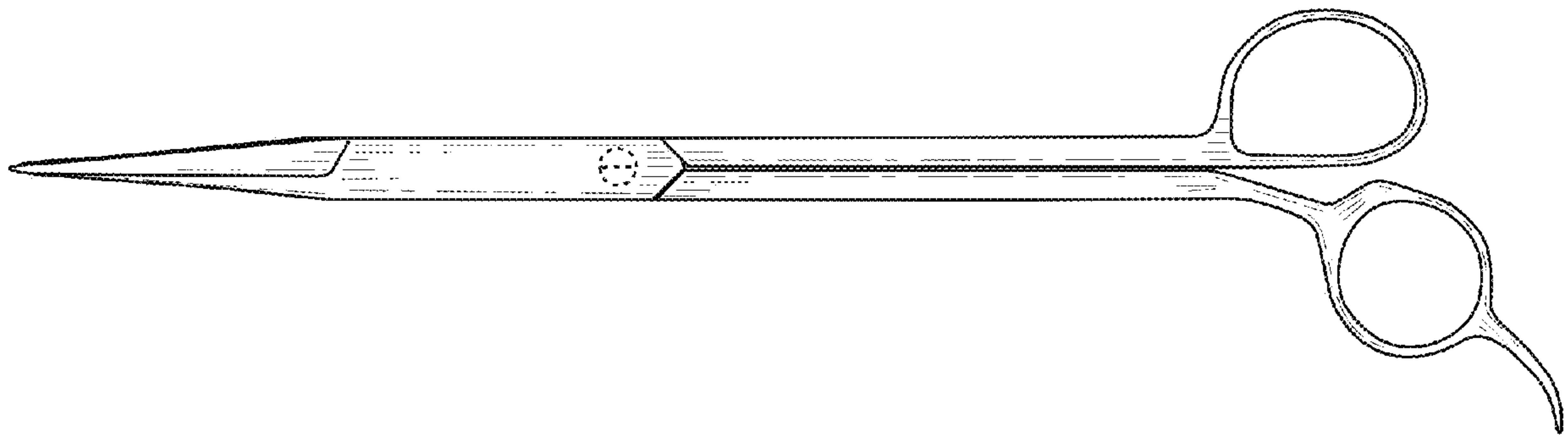


FIG. 7