



US00D928319S

(12) **United States Design Patent**  
**Deck et al.**

(10) **Patent No.:** **US D928,319 S**

(45) **Date of Patent:** **\*\* Aug. 17, 2021**

- (54) **LINEAR SURGICAL STAPLER**
- (71) Applicant: **Ethicon LLC**, Guaynabo, PR (US)
- (72) Inventors: **Andrew C. Deck**, Cincinnati, OH (US);  
**David K. Norvell**, Monroe, OH (US);  
**Matthew S. Corbin**, Loveland, OH (US);  
**Jason Jones**, Cincinnati, OH (US);  
**Brian D. Schings**, Cincinnati, OH (US)
- (73) Assignee: **Cilag GmbH International**, Zug (CH)
- (\*\*) Term: **15 Years**
- (21) Appl. No.: **29/689,708**
- (22) Filed: **May 1, 2019**
- (51) **LOC (13) Cl.** ..... **24-02**
- (52) **U.S. Cl.**  
USPC ..... **D24/145**
- (58) **Field of Classification Search**  
USPC ..... D24/145  
CPC ..... A61B 17/07207; A61B 17/064; A61B 17/0644; A61B 17/072; A61B 17/068; A61B 17/115; A61B 2017/07271  
See application file for complete search history.

(56) **References Cited**

U.S. PATENT DOCUMENTS

D272,851 S *	2/1984	Green	.....	D24/145
D322,143 S *	12/1991	Spreckelmeier	.....	D24/145
5,636,779 A *	6/1997	Palmer	.....	A61B 17/072 227/175.2
5,718,359 A *	2/1998	Palmer	.....	A61B 17/07207 227/175.2
5,931,847 A *	8/1999	Bittner	.....	A61B 17/07207 227/180.1
5,988,479 A *	11/1999	Palmer	.....	A61B 17/07207 227/175.4
D576,278 S	9/2008	Nalagatla et al.		
D676,963 S	2/2013	Hunt et al.		

9,271,728 B2 *	3/2016	Gupta	.....	A61B 17/07207
9,451,959 B2 *	9/2016	Patankar	.....	A61B 17/07207
9,724,095 B2 *	8/2017	Gupta	.....	A61B 17/07207
10,542,980 B2 *	1/2020	Patankar	.....	A61B 17/07207
D913,495 S *	3/2021	Deck	.....	D24/145
2009/0200355 A1 *	8/2009	Baxter, III	.....	A61B 17/07207 227/176.1

(Continued)

OTHER PUBLICATIONS

Design U.S. Appl. No. 29/659,843, entitled "Linear Surgical Stapler," filed Aug. 13, 2018.

(Continued)

Primary Examiner — Wan Laymon

(74) Attorney, Agent, or Firm — Frost Brown Todd LLC

(57) **CLAIM**

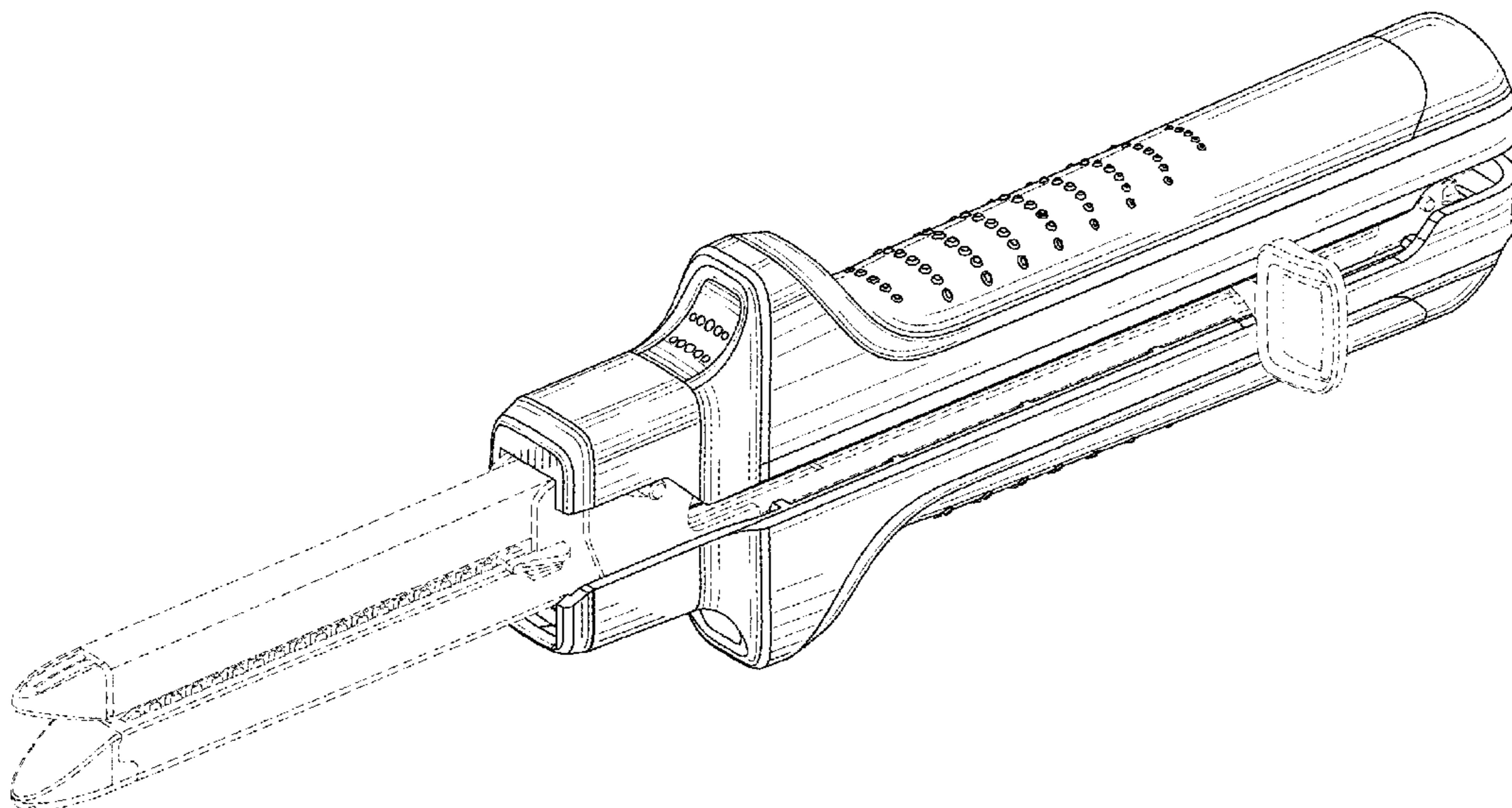
The ornamental design for a linear surgical stapler, as shown and described.

**DESCRIPTION**

FIG. 1 is a perspective view of a linear surgical stapler, showing our new design;  
 FIG. 2 is a front elevational view of the linear surgical stapler of FIG. 1;  
 FIG. 3 is a rear elevational view of the linear surgical stapler of FIG. 1;  
 FIG. 4 is a left elevational view of the linear surgical stapler of FIG. 1;  
 FIG. 5 is a right elevational view of the linear surgical stapler of FIG. 1;  
 FIG. 6 is a top plan view of the linear surgical stapler of FIG. 1; and,  
 FIG. 7 is a bottom plan view of the linear surgical stapler of FIG. 1.

The stapler features shown in broken lines are unclaimed environment, and form no part of the claimed design.

**1 Claim, 4 Drawing Sheets**



(56)

**References Cited**

U.S. PATENT DOCUMENTS

2010/0252612 A1\* 10/2010 Viola ..... A61B 17/07207  
227/180.1  
2013/0214031 A1\* 8/2013 Johnson ..... A61B 17/07207  
227/177.1  
2015/0327855 A1\* 11/2015 Katre ..... A61B 17/072  
227/175.2  
2016/0135811 A1\* 5/2016 Gupta ..... A61B 17/07207  
227/176.1  
2016/0249920 A1\* 9/2016 Gupta ..... A61B 17/072  
227/180.1  
2016/0262756 A1\* 9/2016 Patankar ..... A61B 17/07207  
2020/0000470 A1\* 1/2020 Du ..... A61B 17/07207  
2020/0029966 A1\* 1/2020 Zhan ..... A61B 17/07207  
2020/0046353 A1\* 2/2020 Deck ..... A61B 17/07207  
2021/0038223 A1\* 2/2021 Schings ..... A61B 17/07207

OTHER PUBLICATIONS

Japanese Notification dated Jun. 23, 2020, for Application No.  
2019-024325, 1 page.

\* cited by examiner

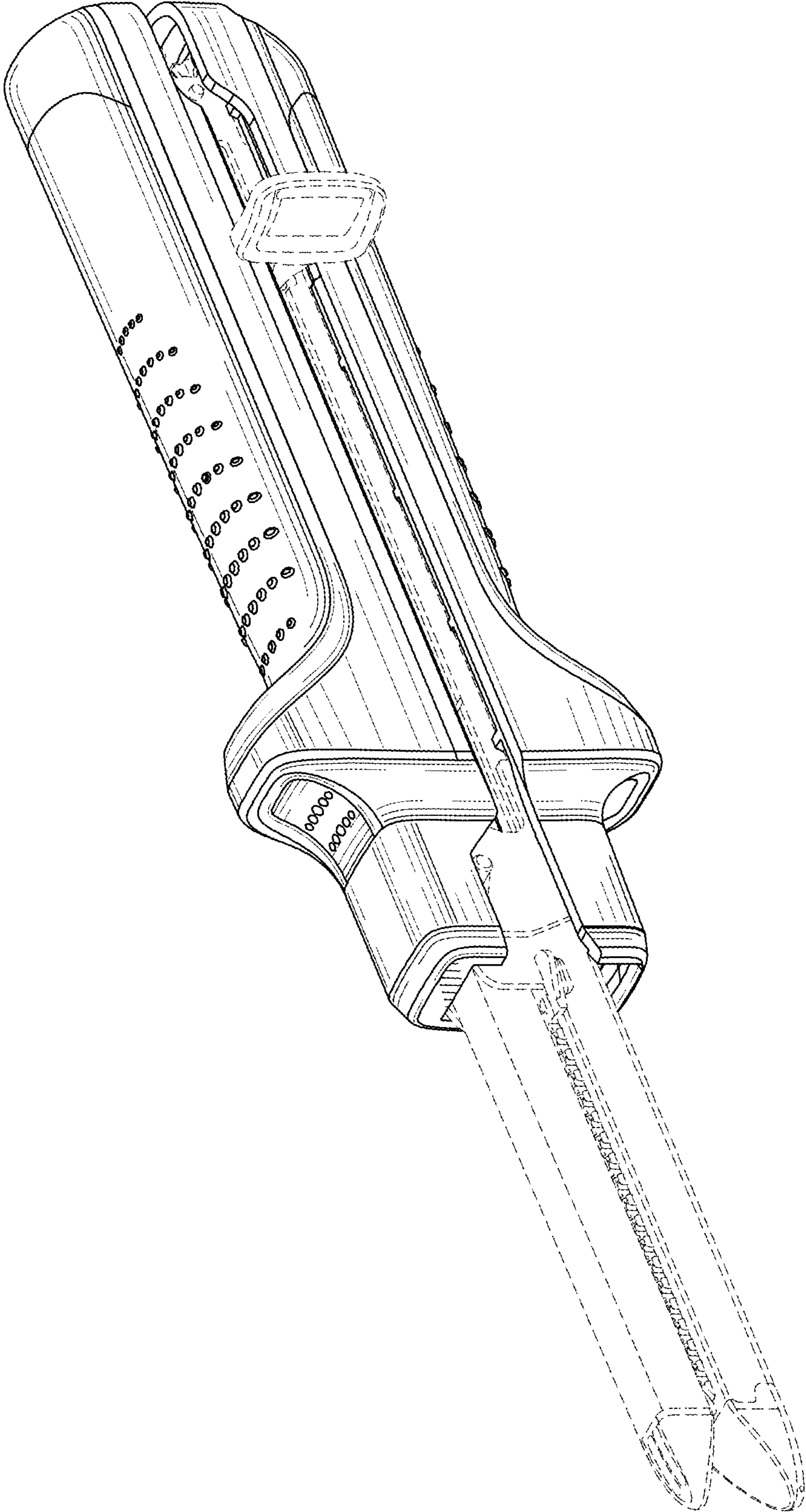


Fig. 1

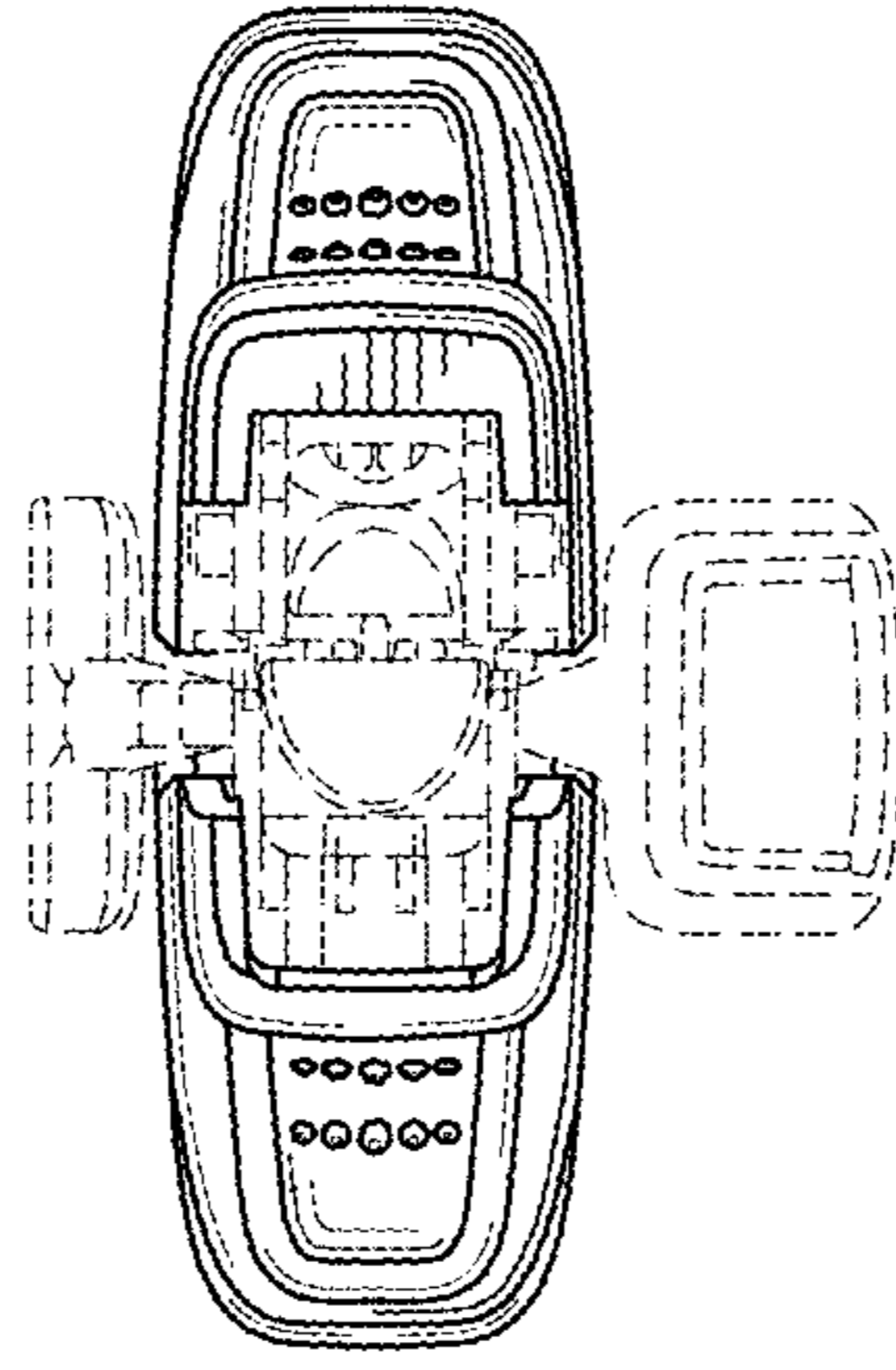


Fig.2

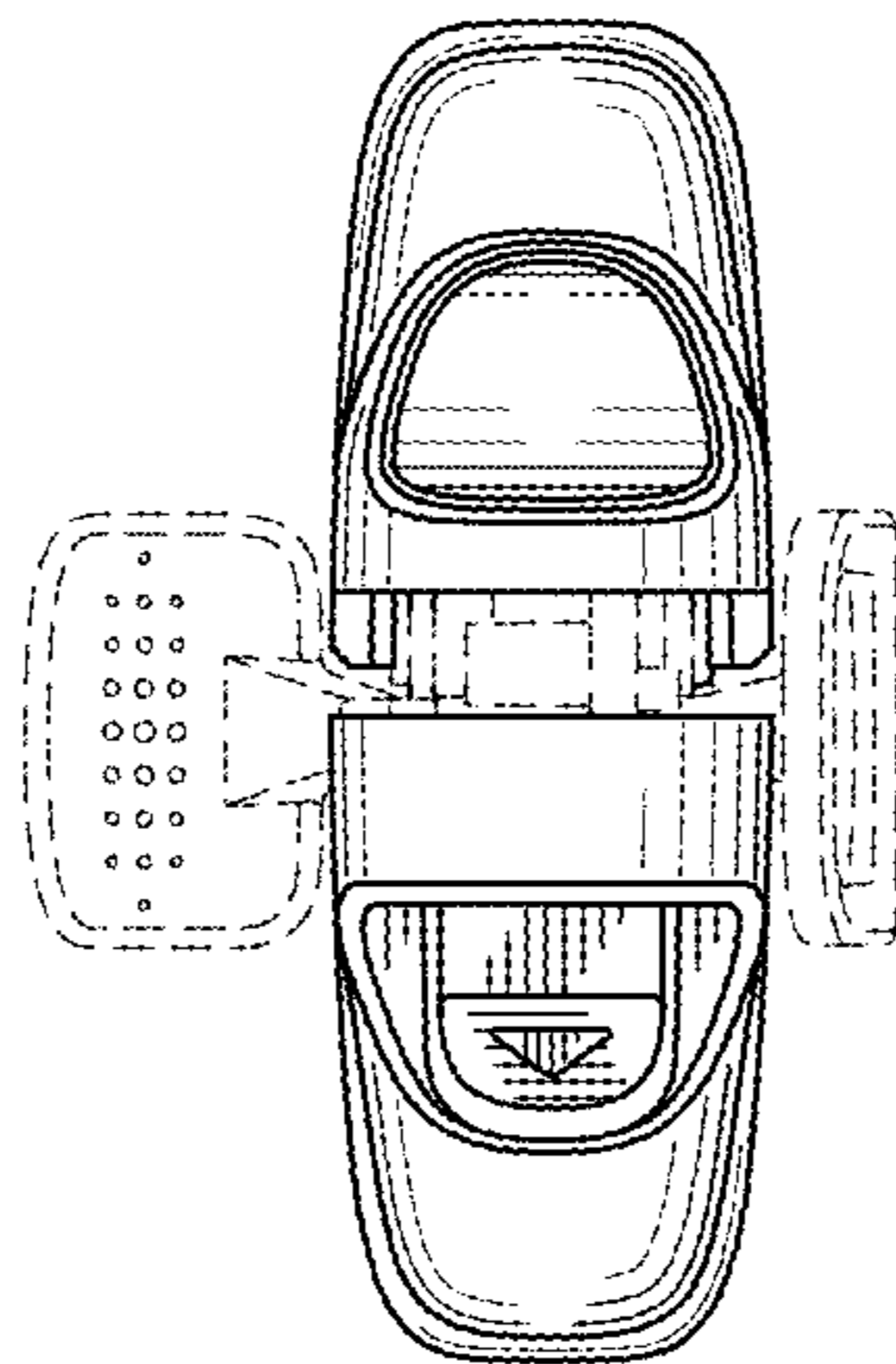


Fig.3

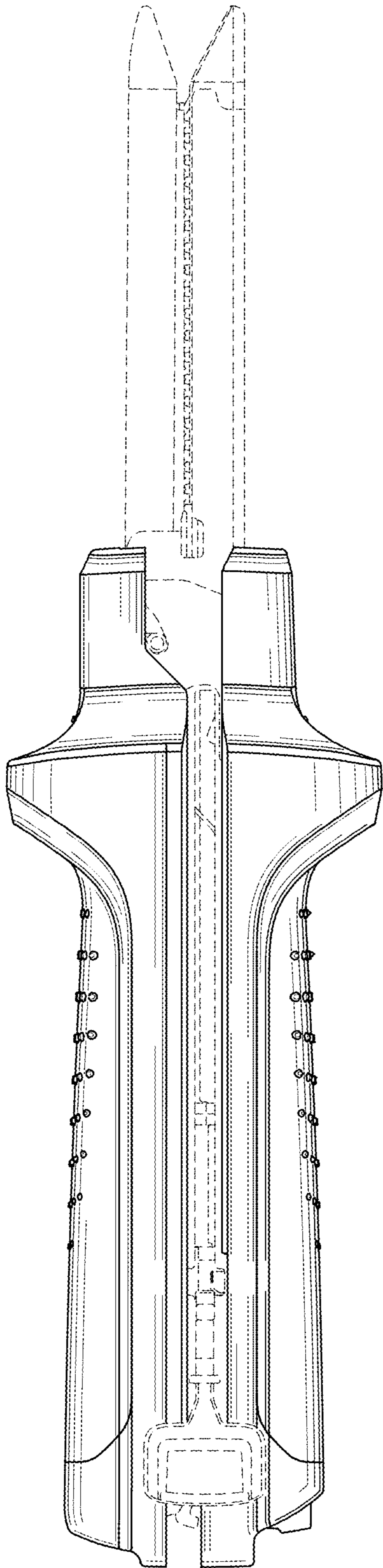


Fig. 4

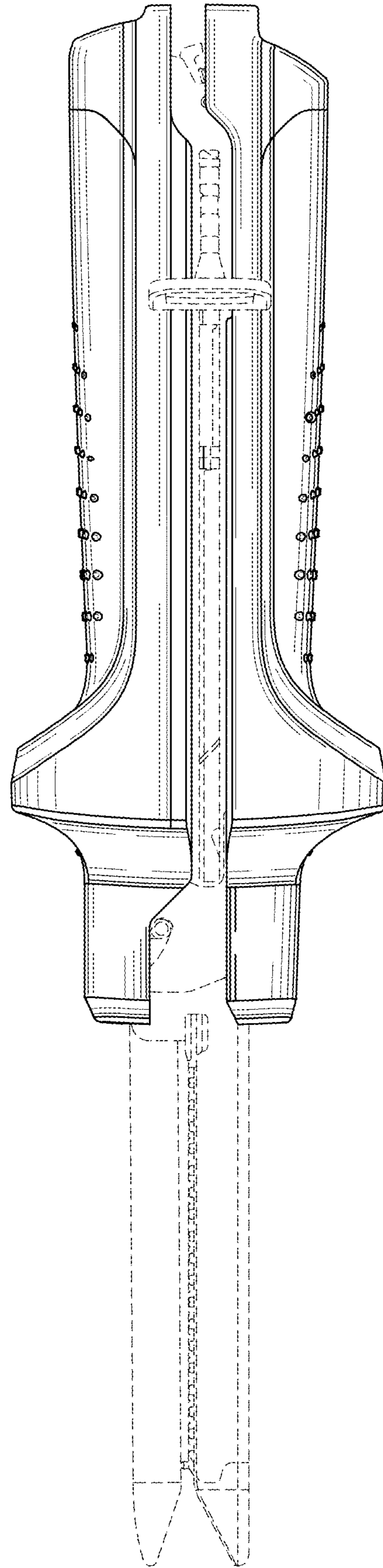


Fig. 5

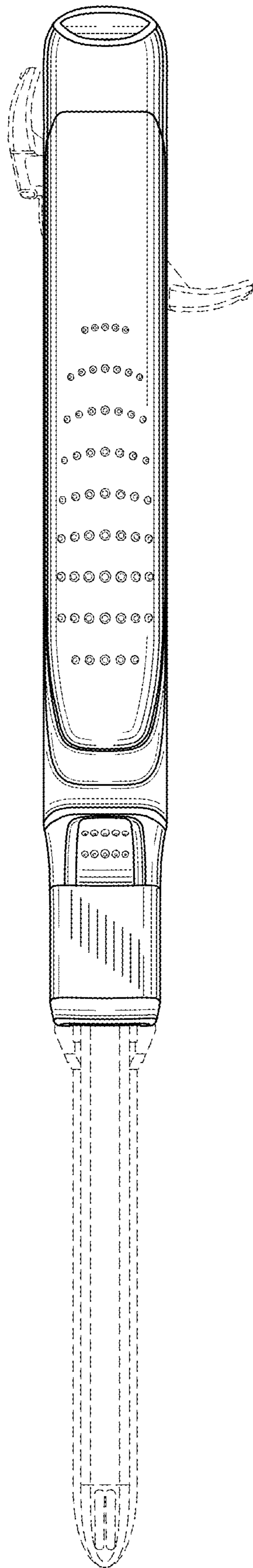


Fig. 6

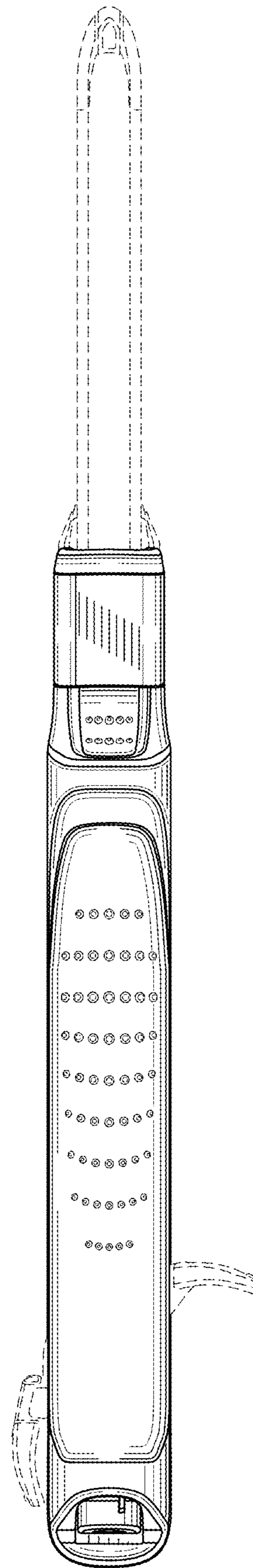


Fig. 7