



US00D928314S

(12) **United States Design Patent**  
**Shuart et al.**

(10) **Patent No.:** **US D928,314 S**

(45) **Date of Patent:** **\*\* Aug. 17, 2021**

(54) **TIP PROTECTOR**

(71) Applicant: **Devicor Medical Products, Inc.**,  
Cincinnati, OH (US)

(72) Inventors: **David Shuart**, Mason, OH (US); **Mark A. Graham**, Maineville, OH (US)

(73) Assignee: **Devicor Medical Products, Inc.**,  
Cincinnati, OH (US)

(\*\*) Term: **15 Years**

(21) Appl. No.: **29/735,170**

(22) Filed: **May 19, 2020**

**Related U.S. Application Data**

(62) Division of application No. 29/661,934, filed on Aug. 31, 2018, now Pat. No. Des. 888,235.

(51) **LOC (13) Cl.** ..... **24-01**

(52) **U.S. Cl.**  
USPC ..... **D24/130**

(58) **Field of Classification Search**  
USPC ..... D24/127-131, 112-114, 133, 186;  
606/181, 185; 604/264, 523-528, 272,  
604/187, 158, 164.01-164.11, 181, 184,  
604/227; 600/101, 139, 143;  
128/200.24, 207.14, 207.15  
CPC ..... A61M 39/1011; F16L 37/0841; F16L  
2201/20; F16L 2201/60  
See application file for complete search history.

(56) **References Cited**

**U.S. PATENT DOCUMENTS**

D246,380 S \* 11/1977 Boothby ..... D24/222  
D274,651 S \* 7/1984 De Vaughn ..... D24/112  
D286,570 S \* 11/1986 Williams ..... D24/112  
D300,561 S \* 4/1989 Asa ..... D24/112

4,964,854 A \* 10/1990 Luther ..... A61M 5/3273  
604/166.01  
5,013,305 A \* 5/1991 Opie ..... A61M 5/3202  
604/192  
D416,625 S \* 11/1999 Torti ..... D24/222  
D468,832 S \* 1/2003 Petrek ..... D24/222  
7,115,114 B2 \* 10/2006 Caizza ..... A61M 5/346  
604/240  
D545,448 S \* 6/2007 Eriksson ..... D24/224  
D630,733 S \* 1/2011 Ahlgren ..... D24/130

(Continued)

*Primary Examiner* — Nathan M Johnston

(74) *Attorney, Agent, or Firm* — Frost Brown Todd LLC

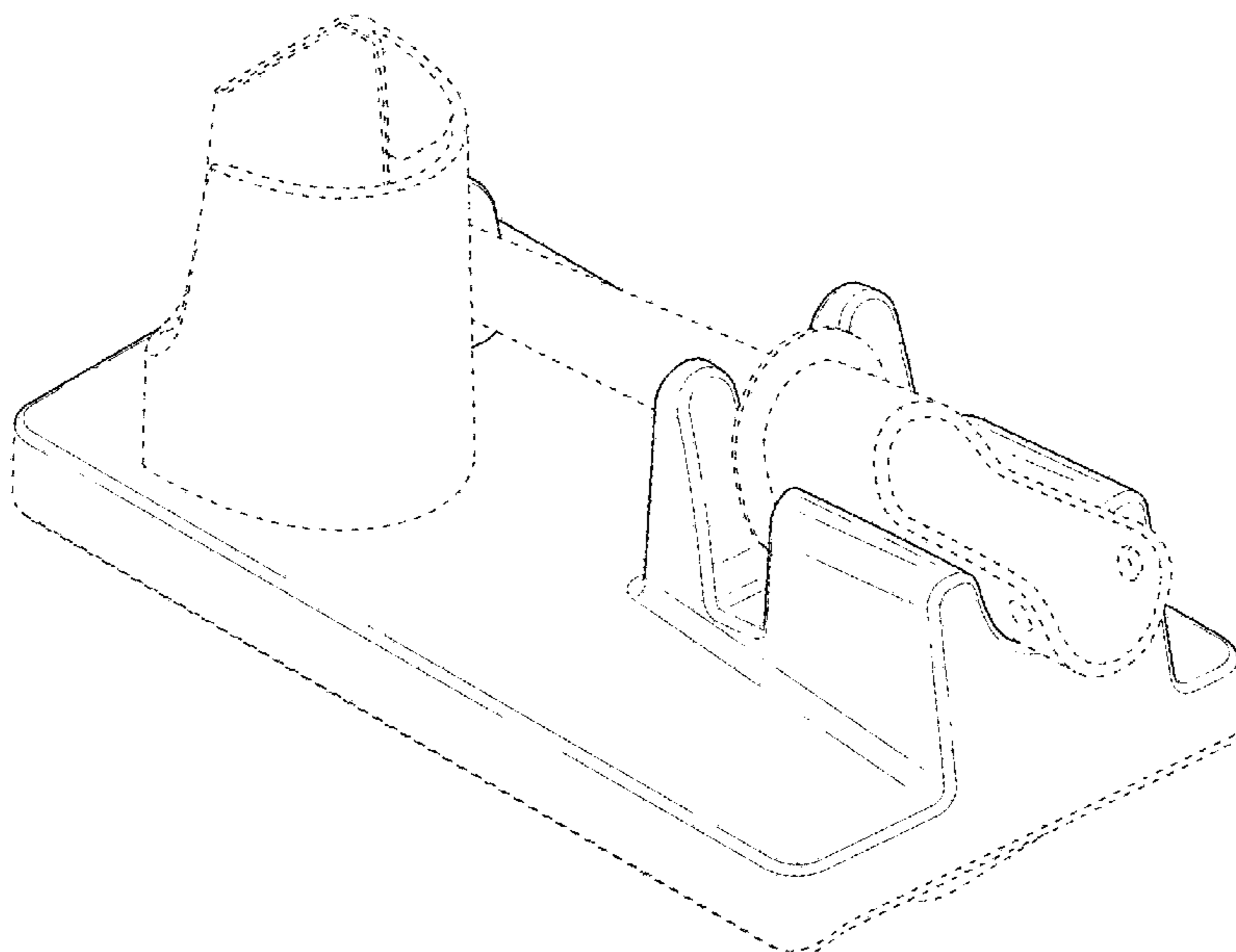
(57) **CLAIM**

The ornamental design for a tip protector, as shown and described.

**DESCRIPTION**

FIG. 1 is a top perspective view of a tip protector support, showing our new design;  
FIG. 2 is another top perspective view of the embodiment of FIG. 1;  
FIG. 3 is a front elevational view of the embodiment of FIG. 1;  
FIG. 4 is a rear elevational view of the embodiment of FIG. 1;  
FIG. 5 is a left elevational view of the embodiment of FIG. 1;  
FIG. 6 is a right elevational view of the embodiment of FIG. 1;  
FIG. 7 is a top plan view of the embodiment of FIG. 1; and, FIG. 8 is a bottom plan view of the embodiment of FIG. 1. The broken lines immediately adjacent to the shaded areas in the figures represent the boundaries of the claimed design. The broken lines in the figures illustrate the portions of the design that form no part of the claimed design. None of the broken lines form any part of the claimed design.

**1 Claim, 7 Drawing Sheets**



(56)

**References Cited**

U.S. PATENT DOCUMENTS

D638,729	S *	5/2011	Beaupre .....	D10/78
D680,226	S *	4/2013	Motadel .....	D24/222
D687,563	S *	8/2013	Tamura .....	D24/222
D692,134	S *	10/2013	Lee-Sepsick .....	D24/146
D748,777	S *	2/2016	Uenishi .....	D24/130
D772,407	S *	11/2016	Zhang .....	D24/133
D772,411	S *	11/2016	Heath .....	D24/146
D831,213	S *	10/2018	Kuun .....	D24/147
D846,143	S *	4/2019	Ito .....	D24/222
D864,381	S *	10/2019	Miles .....	D24/112
2009/0143767	A1 *	6/2009	Fentress .....	B29C 45/0001 604/523
2009/0157007	A1 *	6/2009	McKinnon .....	A61M 25/0014 604/177
2013/0030390	A1 *	1/2013	Bonnadier .....	A61M 5/32 604/272
2013/0158433	A1 *	6/2013	Wingler .....	A61B 1/32 600/585
2017/0312432	A1 *	11/2017	Huang .....	A61M 5/19

\* cited by examiner

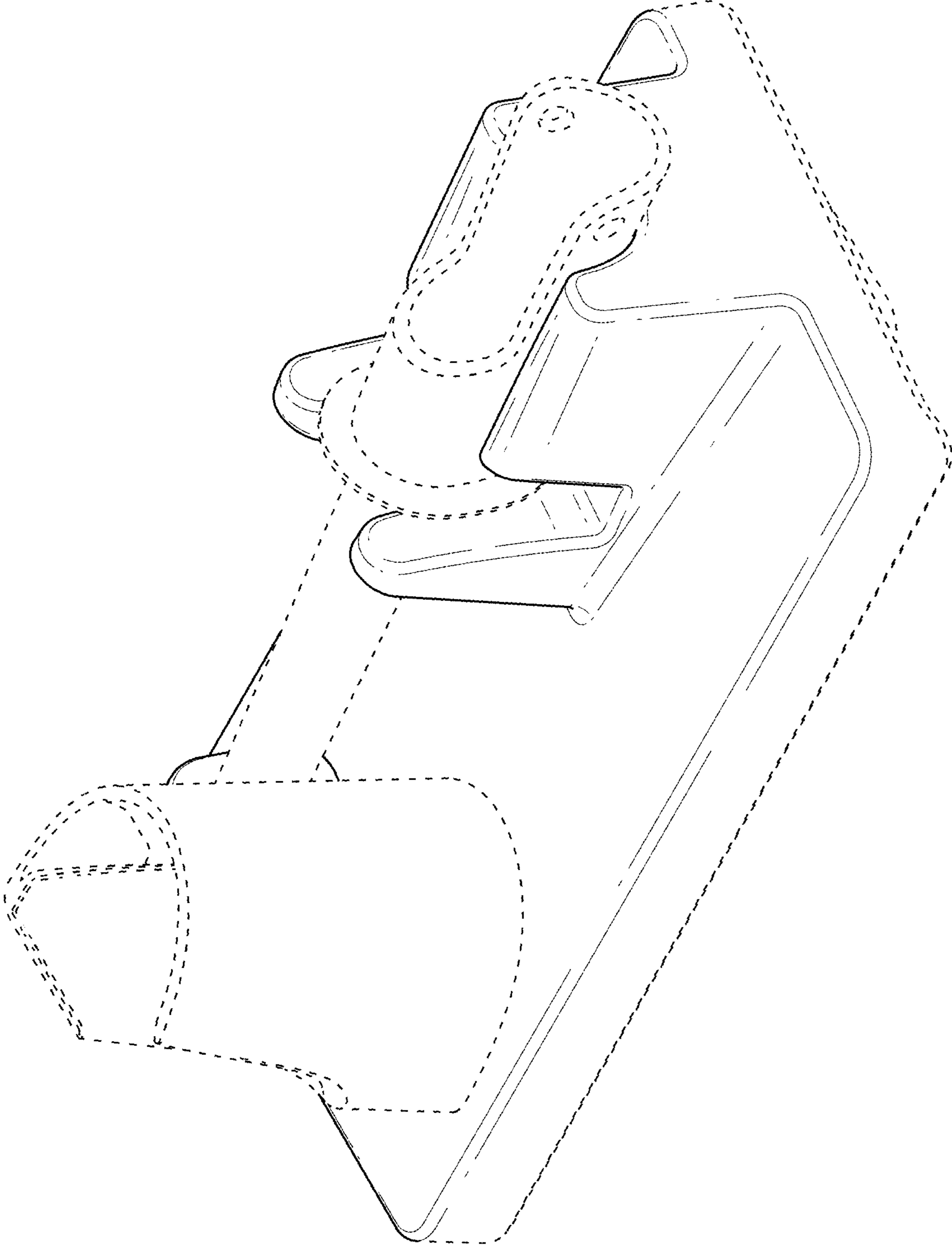


FIG. 1

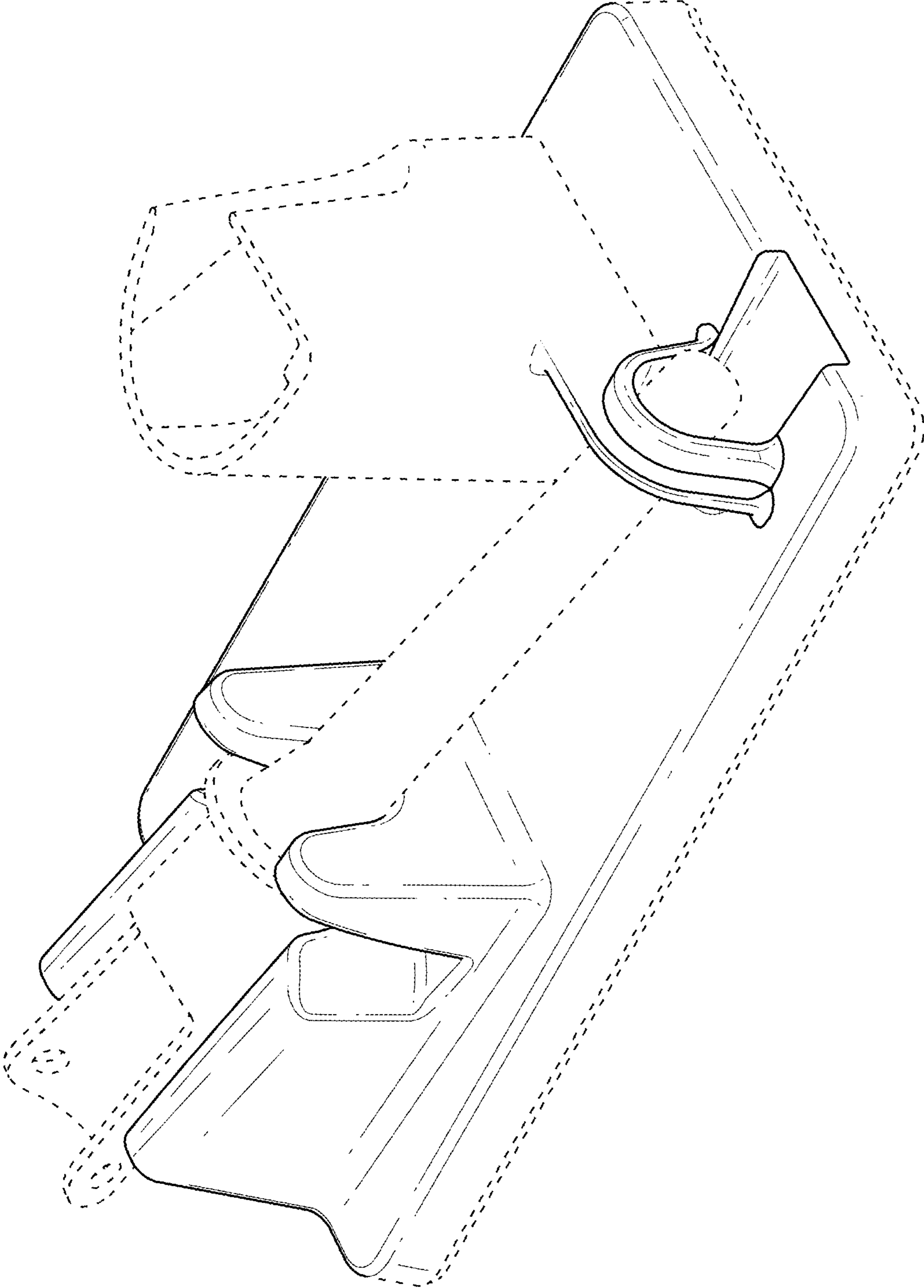


FIG. 2

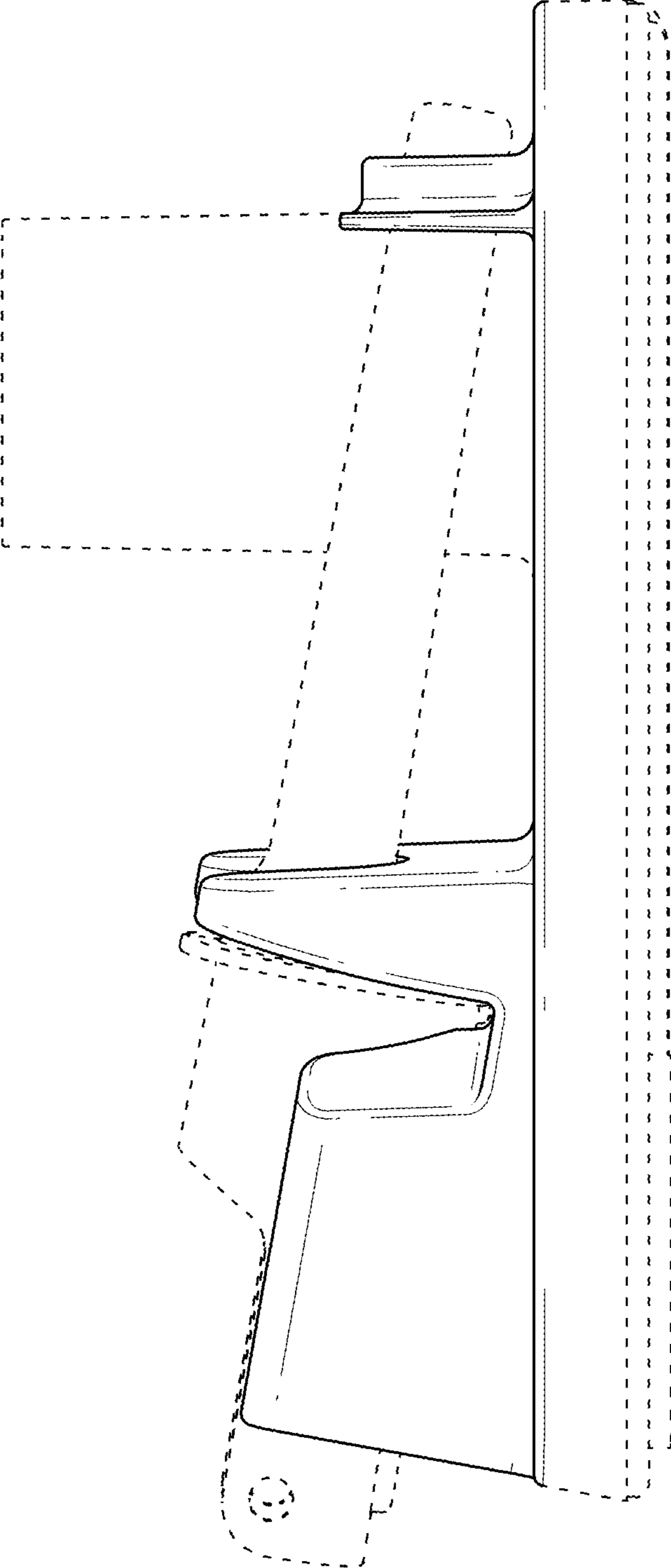


FIG. 3

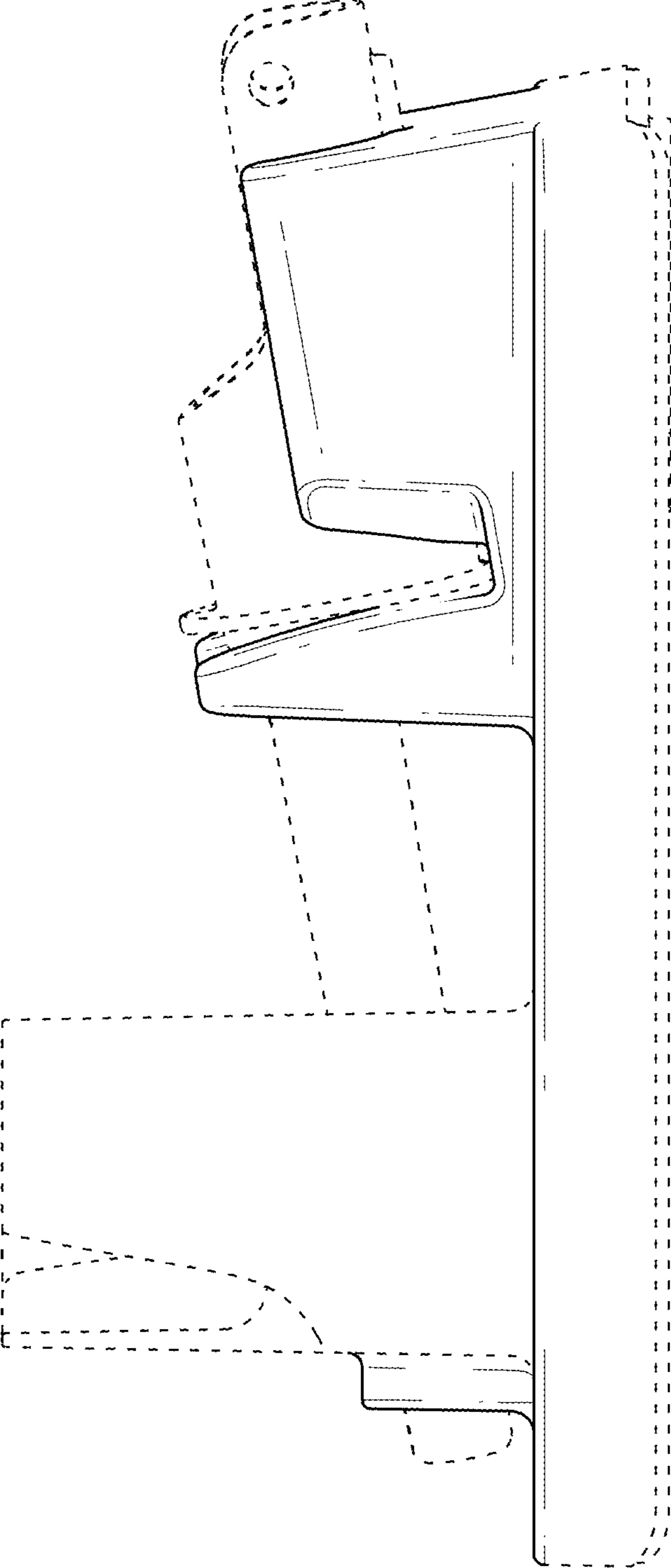


FIG. 4



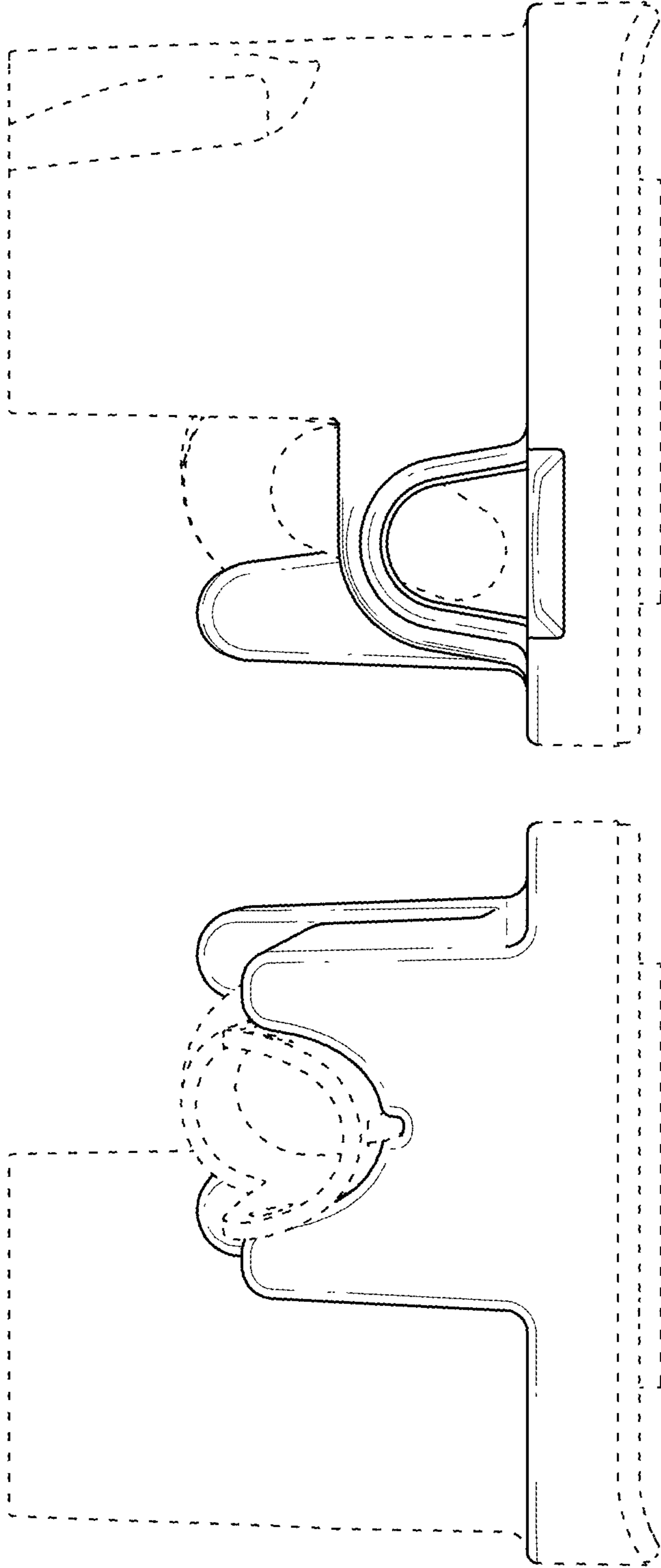


FIG. 5

FIG. 6

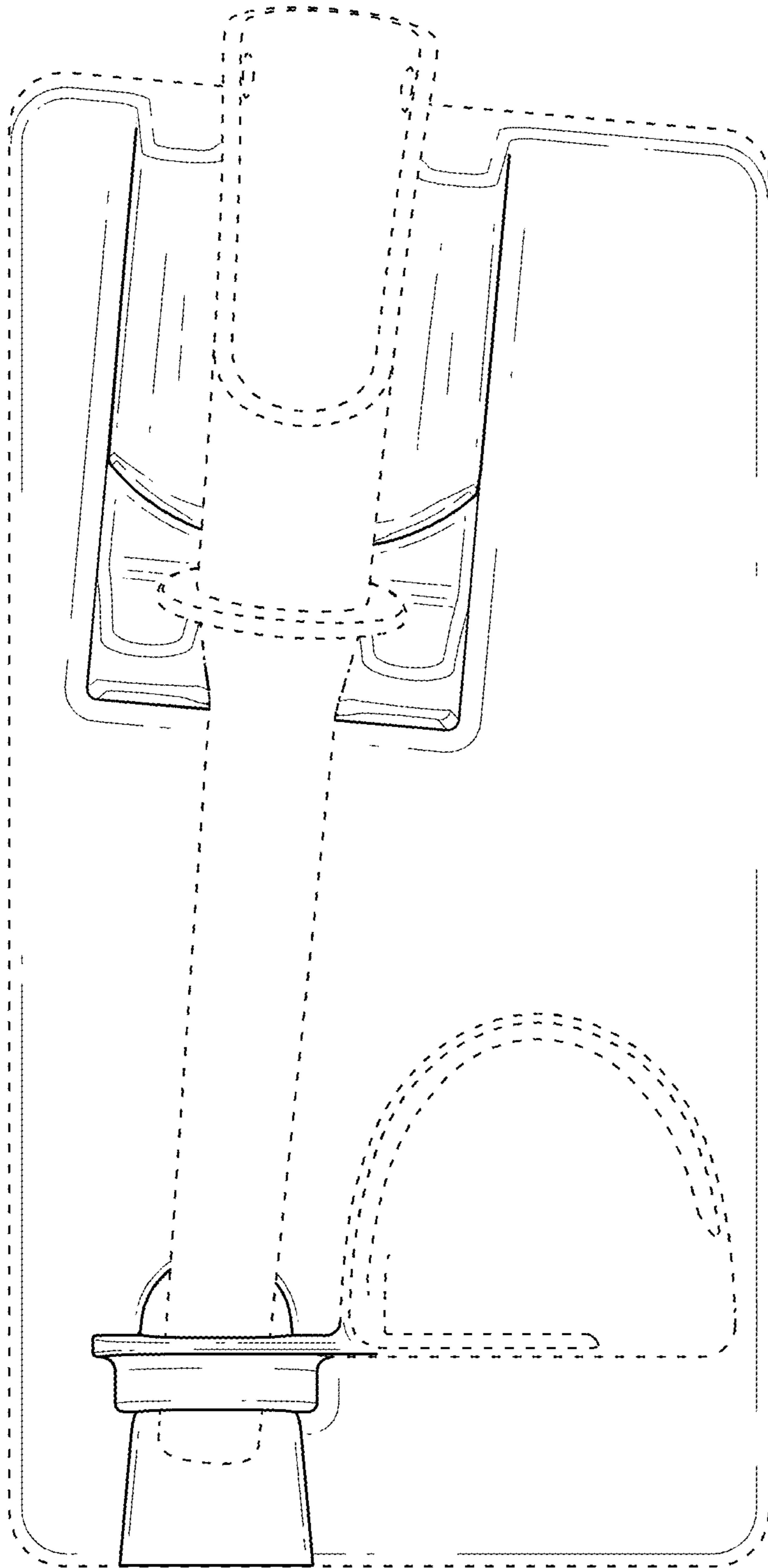


FIG. 7



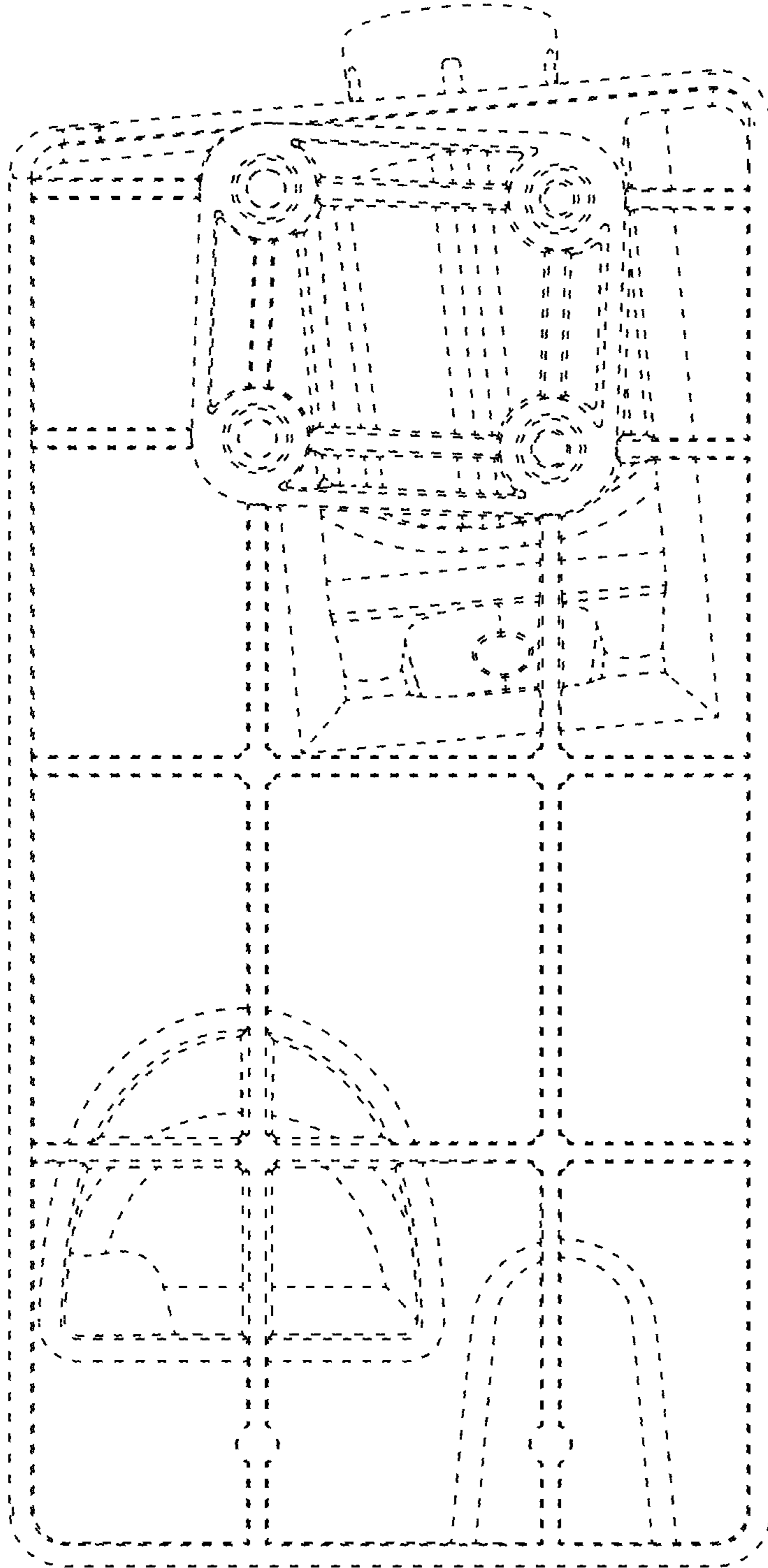


FIG. 8