



US00D928312S

(12) **United States Design Patent** (10) **Patent No.:** **US D928,312 S**
Turnbull et al. (45) **Date of Patent:** **** Aug. 17, 2021**

(54) **TUBE SECUREMENT DEVICE**
(71) Applicant: **3M INNOVATIVE PROPERTIES COMPANY**, Saint Paul, MN (US)
(72) Inventors: **Michael J. Turnbull**, Woodbury, MN (US); **James M. Sieracki**, Plymouth, MN (US); **Amanda C. Engler**, Woodbury, MN (US); **Denise J. Ziemann**, Fridley, MN (US); **Kimberly A. Schommer**, Hudson, WI (US)

(73) Assignee: **3M INNOVATIVE PROPERTIES COMPANY**, Saint Paul, MN (US)

(**) Term: **15 Years**

(21) Appl. No.: **29/711,317**

(22) Filed: **Oct. 30, 2019**

(51) **LOC (13) Cl.** **24-02**

(52) **U.S. Cl.**
USPC **D24/128**

(58) **Field of Classification Search**
USPC D24/128, 127, 189-192; 604/179, 180; 600/391, 392; 128/DIG. 26
CPC A61M 25/02; A61M 16/0666; A61M 2210/0618; A61M 2025/0253; A61M 2025/0226

See application file for complete search history.

(56) **References Cited**

U.S. PATENT DOCUMENTS

5,735,272 A 4/1998 Dillon
D801,539 S * 10/2017 Deitch D24/189
D813,403 S * 3/2018 Hylton D24/190
D827,144 S * 8/2018 Oliveira D24/189
D868,267 S * 11/2019 Del Rossi D24/189
D881,388 S * 4/2020 Ziemann D24/128
10,695,538 B2 * 6/2020 Jaouani A61M 25/02

D893,034 S * 8/2020 Kase D24/189
D904,624 S * 12/2020 Del Rossi D24/189
2002/0143296 A1 10/2002 Russo
2005/0171482 A1 8/2005 Russo
2009/0292256 A1 11/2009 Cubberly
2012/0029435 A1 2/2012 Gutierrez Del Rio
2012/0138060 A1 6/2012 Barlow
2014/0039401 A1 * 2/2014 Kerr A61M 25/02
604/180
2018/0228699 A1 * 8/2018 Oliveira A61M 25/02
2018/0235845 A1 * 8/2018 Oliveira A61J 15/0061
2018/0243537 A1 * 8/2018 Karim A61M 25/02
2020/0078561 A1 * 3/2020 Oliveira A61M 25/02

FOREIGN PATENT DOCUMENTS

JP S592346 1/1984
WO WO 94/28962 12/1994
WO WO 98/32481 7/1998

(Continued)

Primary Examiner — David G Muller

(74) *Attorney, Agent, or Firm* — 3M Innovative Properties Company; Trisha D. Adamson

(57) **CLAIM**

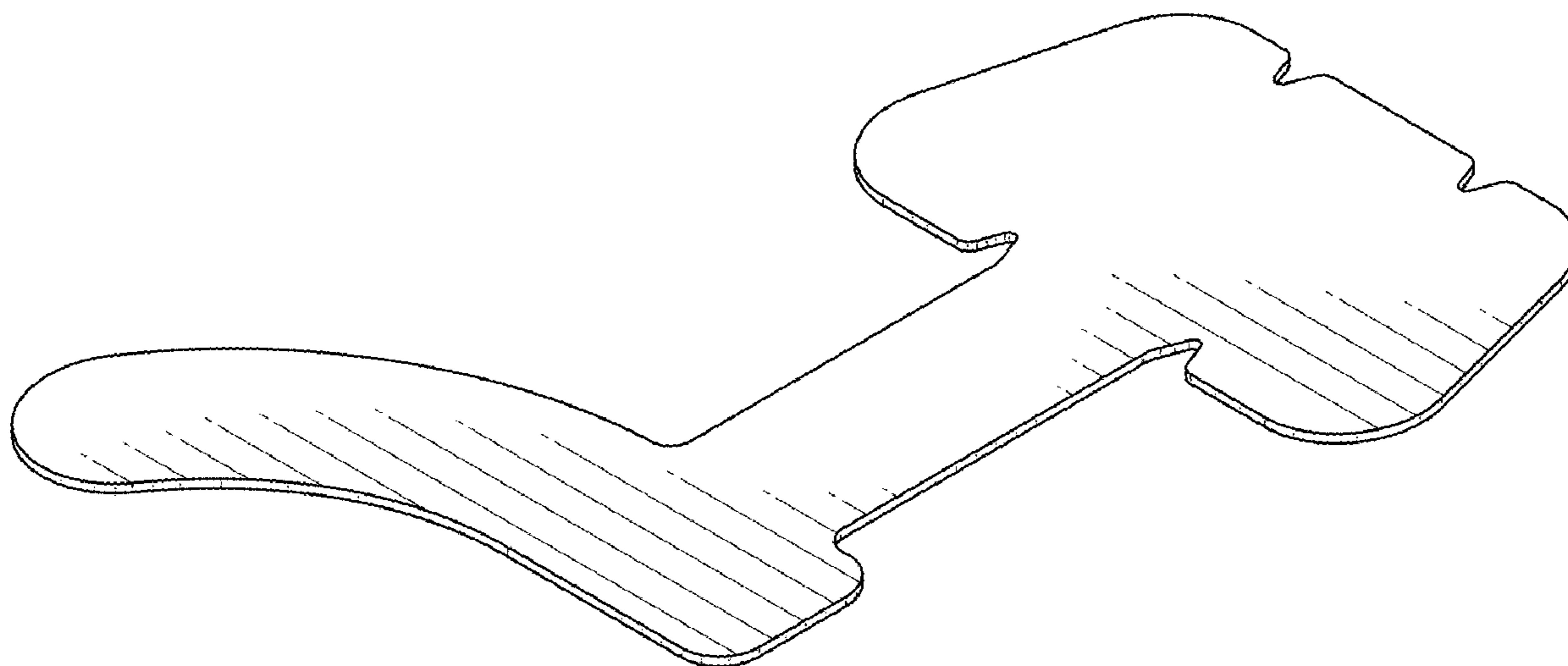
The ornamental design for a tube securement device, as shown and described.

DESCRIPTION

FIG. 1 is a perspective view showing the new design for a tube securement device;
FIG. 2 is a front view thereof;
FIG. 3 is a back view thereof;
FIG. 4 is a right side view thereof;
FIG. 5 is a left side view thereof;
FIG. 6 is a top view thereof; and,
FIG. 7 is a bottom view thereof.

The surface shading illustrated in the drawings is provided merely to highlight the contour of design; it is not intended to be illustrative of texture or gloss.

1 Claim, 3 Drawing Sheets



(56)

References Cited

FOREIGN PATENT DOCUMENTS

WO	WO 2005/025664	3/2005
WO	WO 2012/009126	1/2012
WO	WO 2014/092703	6/2014
WO	WO 2017/034907	3/2017
WO	WO 2017/034911	3/2017
WO	WO 2017/034912	3/2017

* cited by examiner

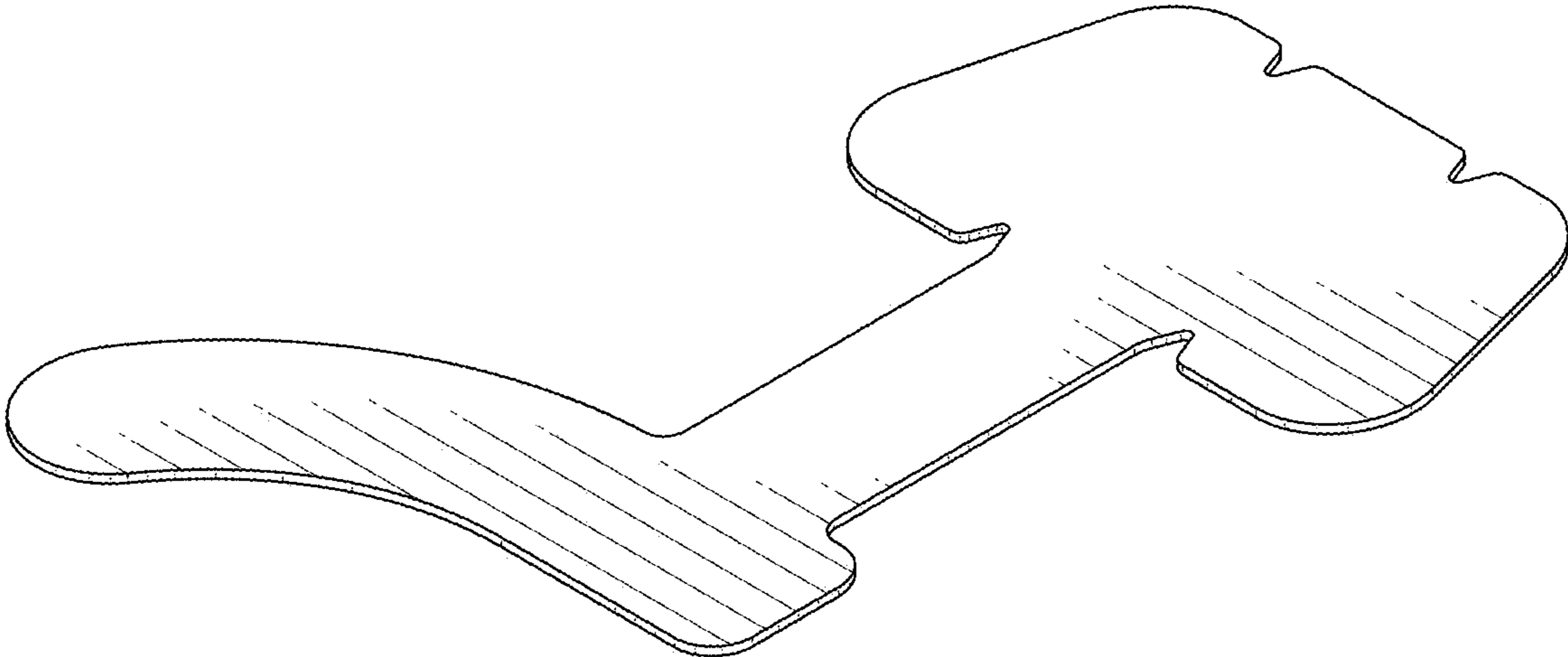


FIG. 1

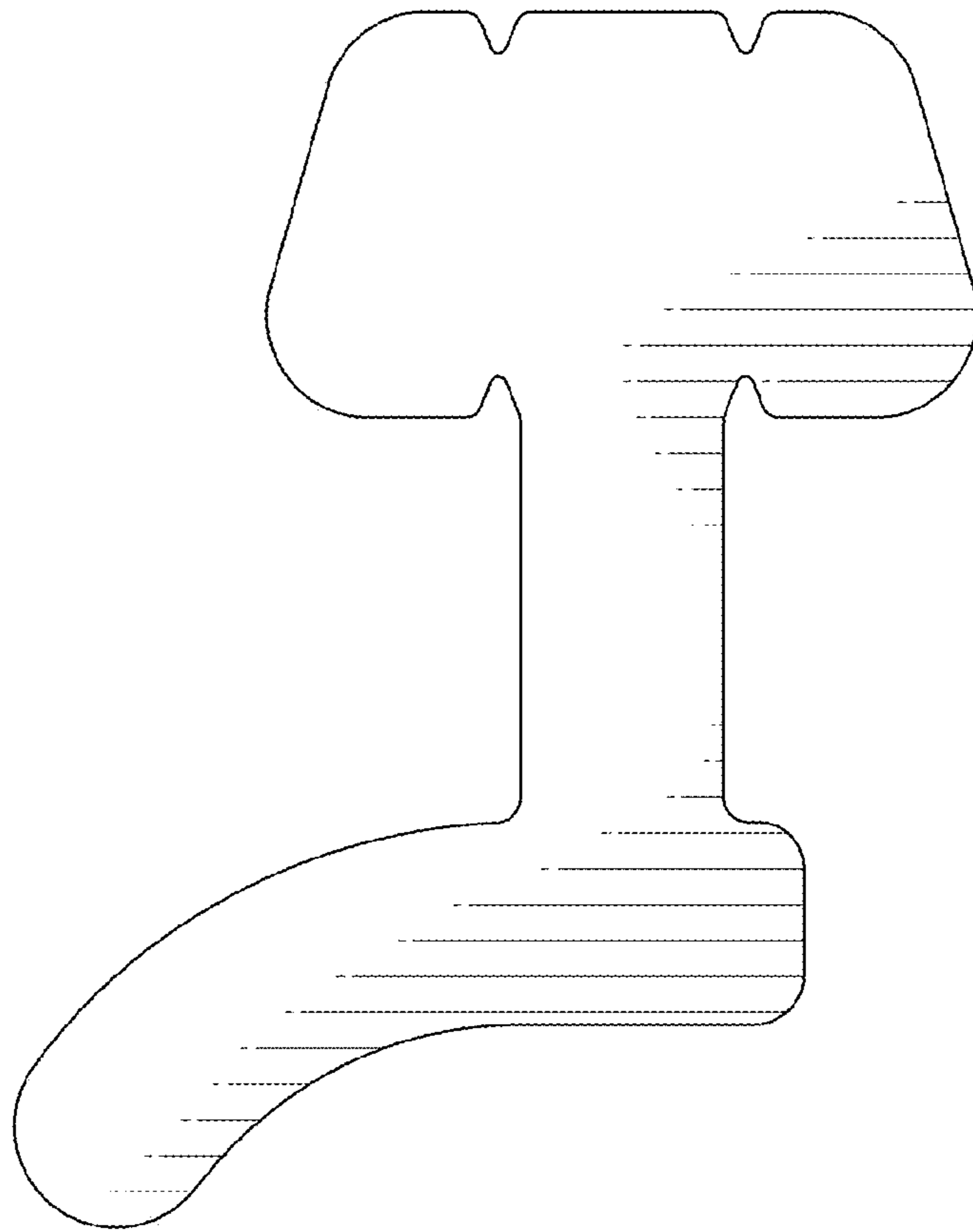


FIG. 2

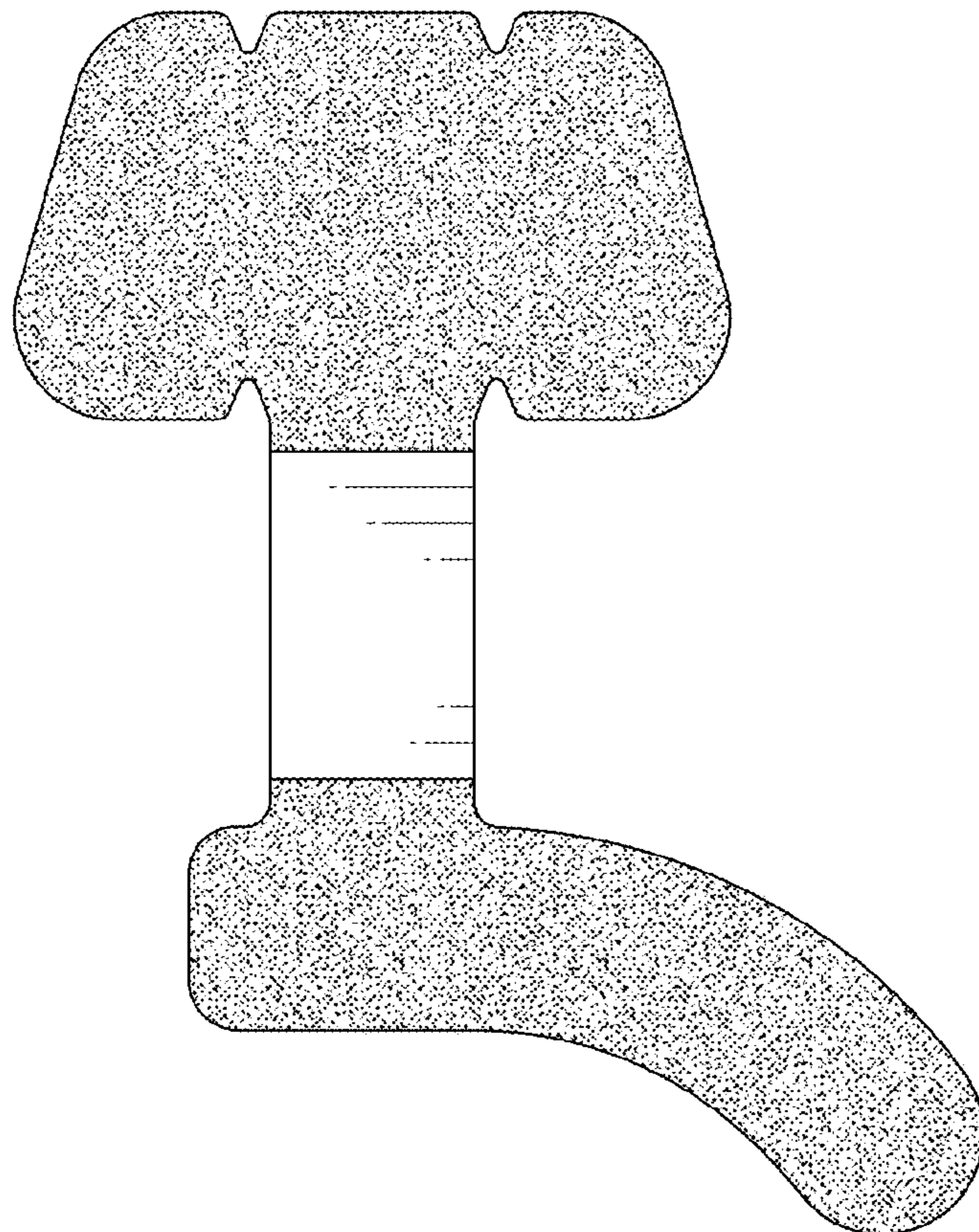


FIG. 3



FIG. 4



FIG. 5



FIG. 6

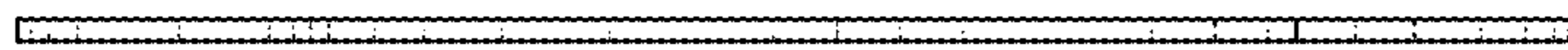


FIG. 7