



US00D928311S

(12) **United States Design Patent** (10) **Patent No.:** **US D928,311 S**
McVaney (45) **Date of Patent:** **** Aug. 17, 2021**

(54) CLIP	5,046,624 A *	9/1991	Murphy	A61B 50/20 211/70.6
(71) Applicant: Contech Medical, Inc. , Providence, RI (US)	5,113,717 A	5/1992	Plamper		
	D336,131 S *	6/1993	Nordstrom	D24/128
	5,234,185 A	8/1993	Hoffman		
(72) Inventor: Jesse Thomas McVaney , Wakefield, RI (US)	5,316,246 A *	5/1994	Scott	A61M 5/1418 248/68.1
	5,366,444 A	11/1994	Martin		
	D376,309 S	12/1996	Takai		
(73) Assignee: Contech Medical, Inc. , Providence, RI (US)	5,588,683 A	12/1996	Schliessner		
	D378,408 S *	3/1997	Pyeatt	D24/128
	5,615,852 A	4/1997	Heidorn		
(**) Term: 15 Years	D379,509 S *	5/1997	Macko	D24/128
	D406,749 S	3/1999	Selk		
(21) Appl. No.: 29/705,415	5,992,802 A	11/1999	Campbell		
	D443,198 S	6/2001	Snyder		

(Continued)

(22) Filed: **Sep. 11, 2019**

(51) **LOC (13) Cl.** **24-02**

(52) **U.S. Cl.**
USPC **D24/128**

(58) **Field of Classification Search**
USPC D24/127-128, 228, 230; D8/349, 354, D8/356, 357, 358, 359, 396; 191/12.2 R; 24/3.12; 248/68.1, 74.1, 74.2, 74.3, 74.4; 242/405
CPC A61M 5/178; A61M 25/09041; F16B 7/0433; Y10T 24/349; Y10T 24/44291
See application file for complete search history.

OTHER PUBLICATIONS

Contech medical website, medical components-custom components, Apr. 1, 2021 <https://www.contechmedical.com/medical-components.html#clips> (Year: 2021).*

Primary Examiner — Nathan M Johnston
(74) *Attorney, Agent, or Firm* — Nixon Peabody LLP

(57) **CLAIM**

The ornamental design for a clip, as shown and described.

(56) **References Cited**

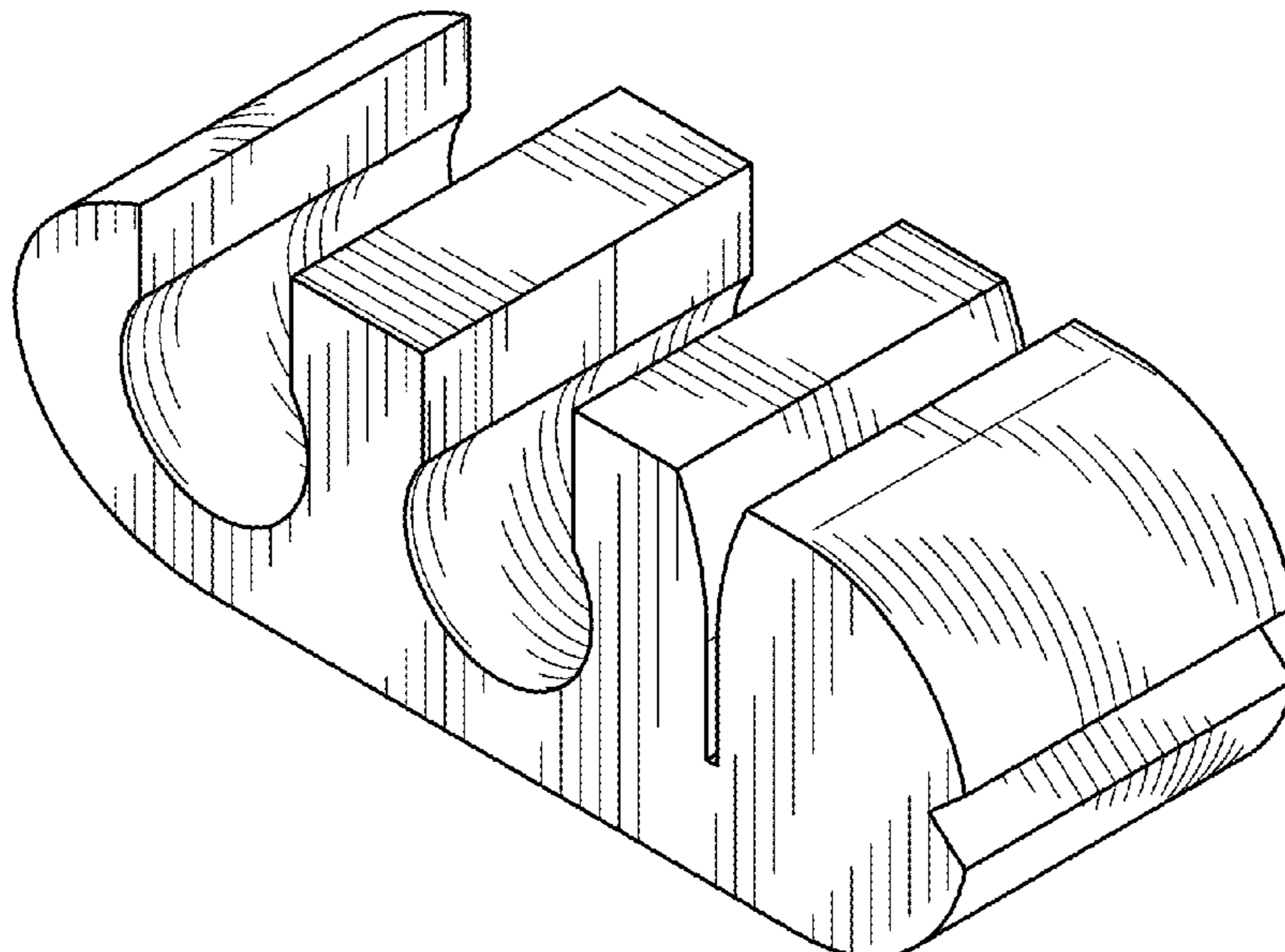
U.S. PATENT DOCUMENTS

3,217,891 A *	11/1965	Weaver	B01L 9/54 211/60.1
3,696,920 A *	10/1972	Lahay	A61B 50/30 206/370
3,856,244 A	12/1974	Menshen		
4,224,721 A	9/1980	Ohlson		
4,244,544 A	1/1981	Kornat		
4,467,988 A	8/1984	Kraus		
4,550,891 A	11/1985	Schaty		
D284,810 S *	7/1986	Kelemen, Sr.	D3/315
D311,487 S *	10/1990	Platt	D8/356

DESCRIPTION

FIG. 1 is a first perspective view of a clip showing my new design;
FIG. 2 is a second perspective view of the clip of FIG. 1;
FIG. 3 is a top plan view of the clip of FIG. 1;
FIG. 4 is a left side view of the clip of FIG. 1;
FIG. 5 is a front elevation view of the clip of FIG. 1;
FIG. 6 is a right side view of the clip of FIG. 1;
FIG. 7 is a rear elevation view of the clip of FIG. 1; and,
FIG. 8 is a bottom plan view of the clip of FIG. 1.

1 Claim, 3 Drawing Sheets



(56)

References Cited

U.S. PATENT DOCUMENTS

D459,977	S		7/2002	Byrnes	
D478,738	S	*	8/2003	Workman D6/552
H2203	H	*	10/2007	Borchardt D8/396
D568,254	S	*	5/2008	Patchett D13/155
D630,317	S	*	1/2011	Wung D24/128
D647,787	S	*	11/2011	Duval D8/394
D657,460	S	*	4/2012	Uhlenkamp D24/128
D657,869	S	*	4/2012	Mammen D24/128
D676,314	S	*	2/2013	Cude D8/396
8,998,151	B2	*	4/2015	Hoek H02G 3/32 248/68.1
D755,043	S	*	5/2016	Bailey D8/394
D790,127	S	*	6/2017	Verleur D27/183
D829,907	S	*	10/2018	Wonderley D24/147
D829,908	S	*	10/2018	Wonderley D24/147
D837,374	S	*	1/2019	Wonderley D24/146
D893,875	S	*	8/2020	Hsieh D3/313
2005/0077436	A1	*	4/2005	Nelson F16L 3/223 248/68.1
2012/0318935	A1	*	12/2012	Benedetti F16L 3/1075 248/74.1

* cited by examiner

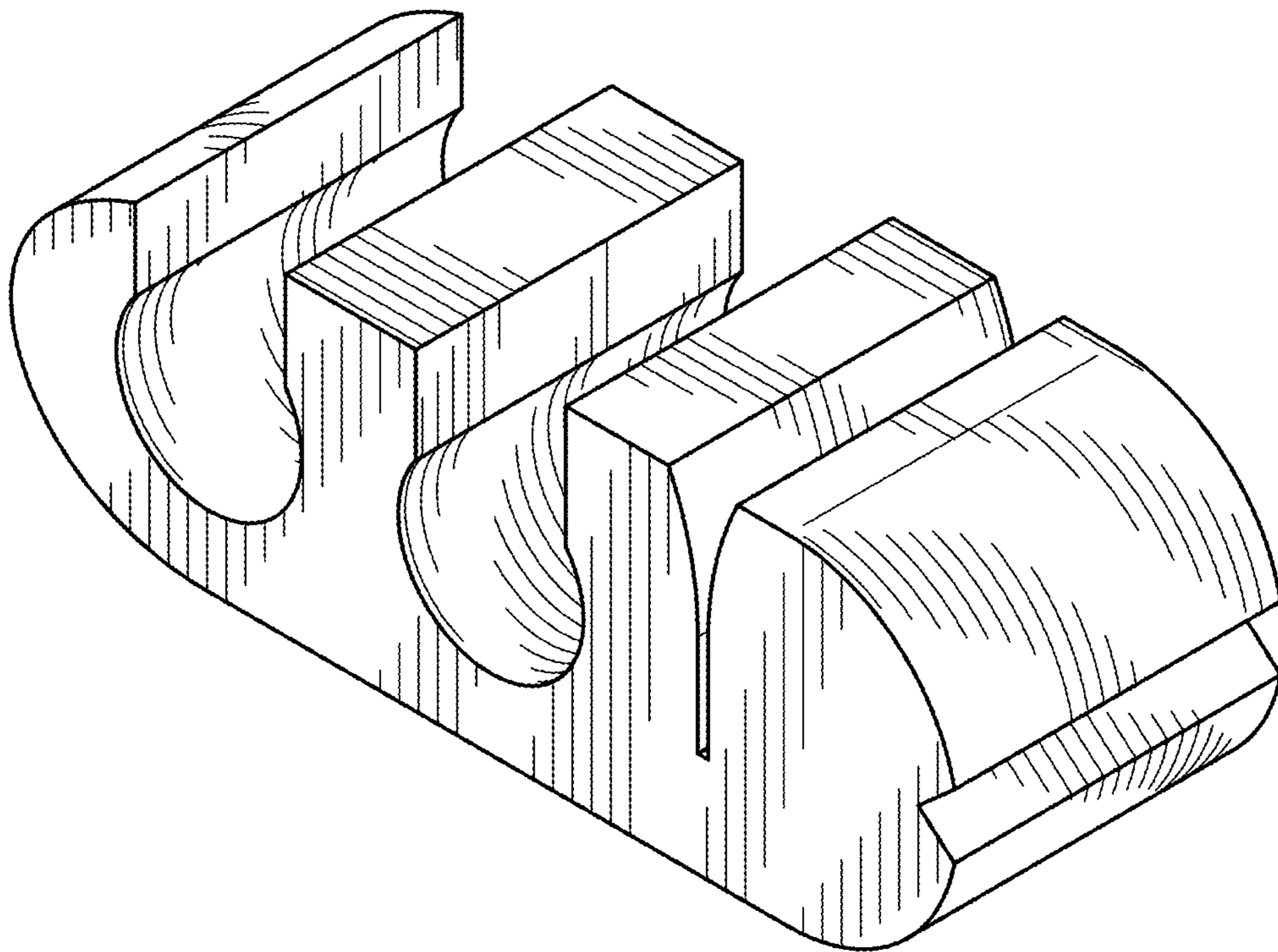


FIG. 1

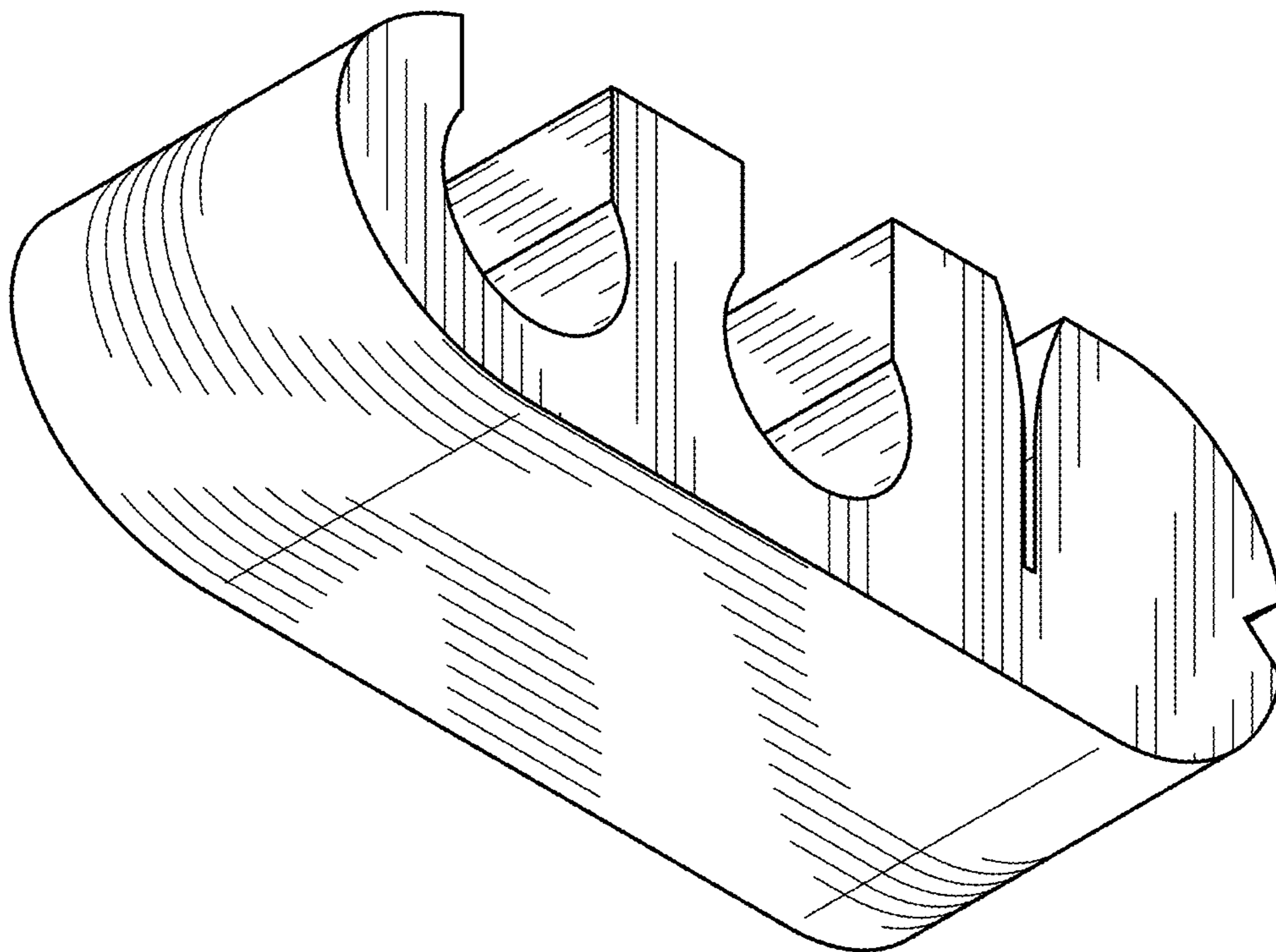


FIG. 2

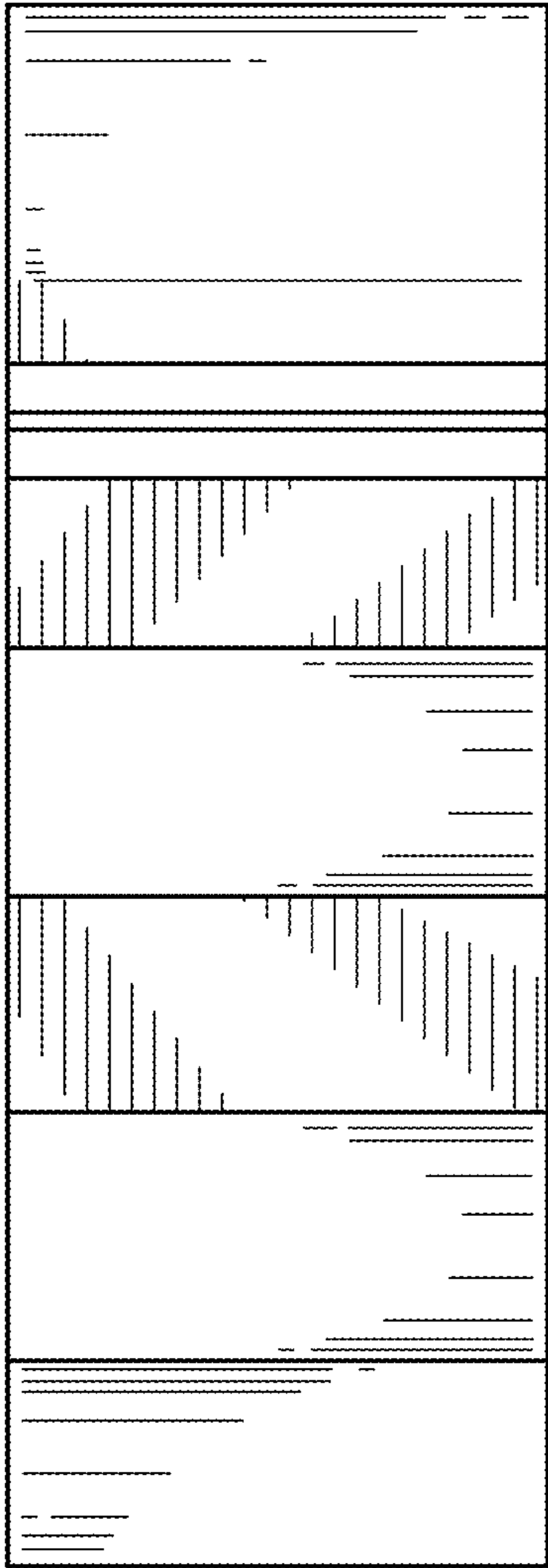


FIG. 3

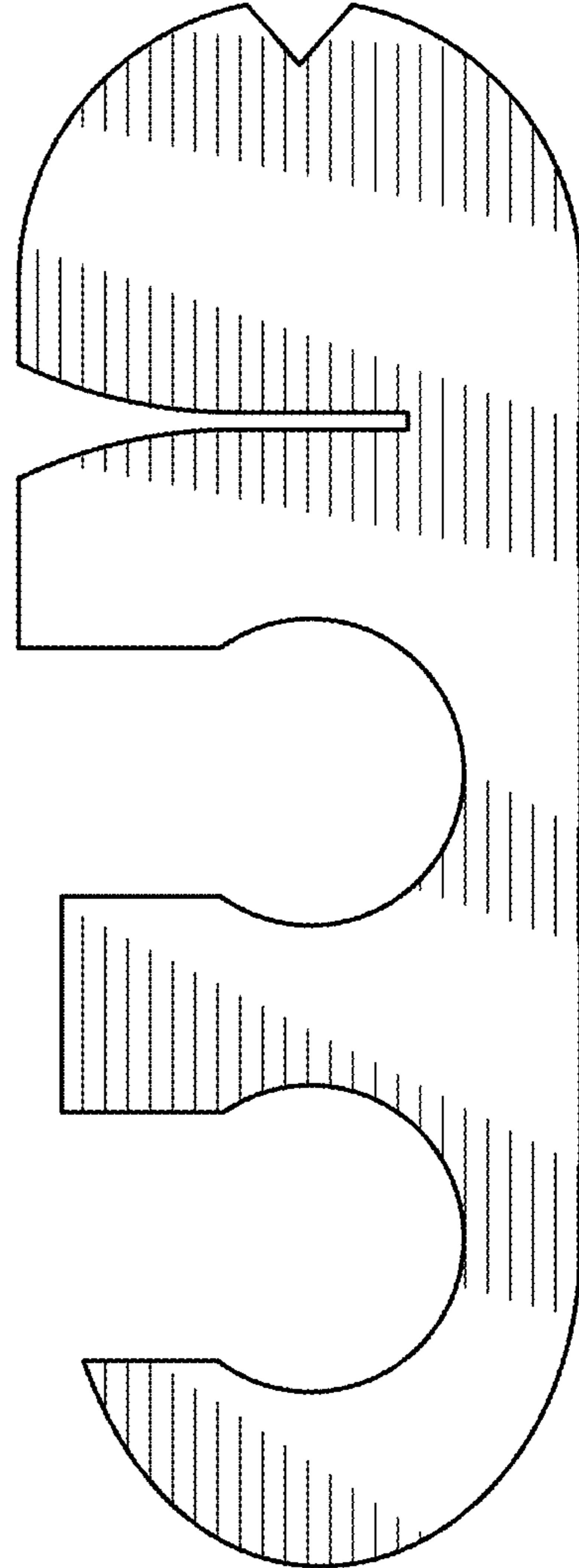


FIG. 5

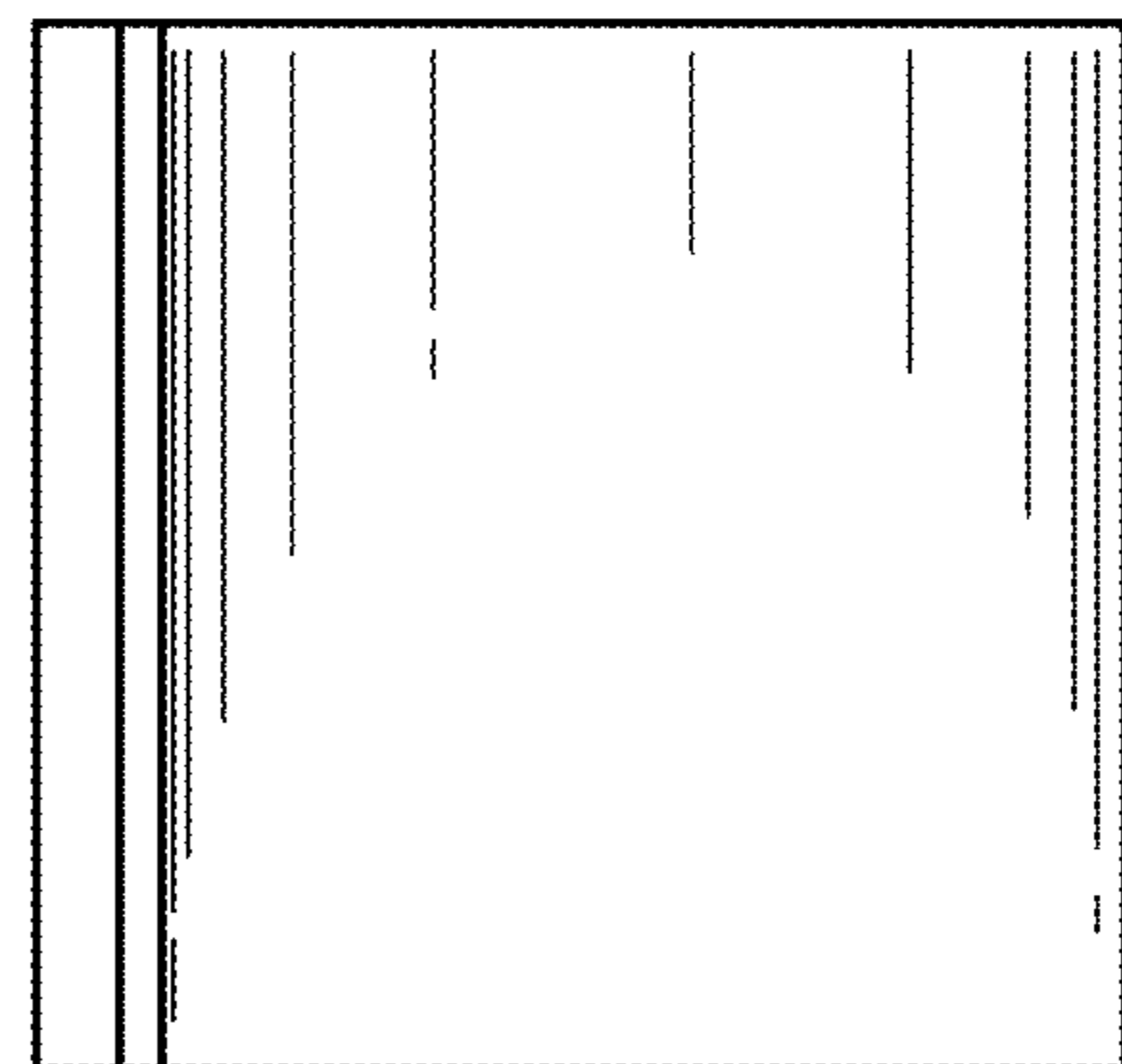


FIG. 4

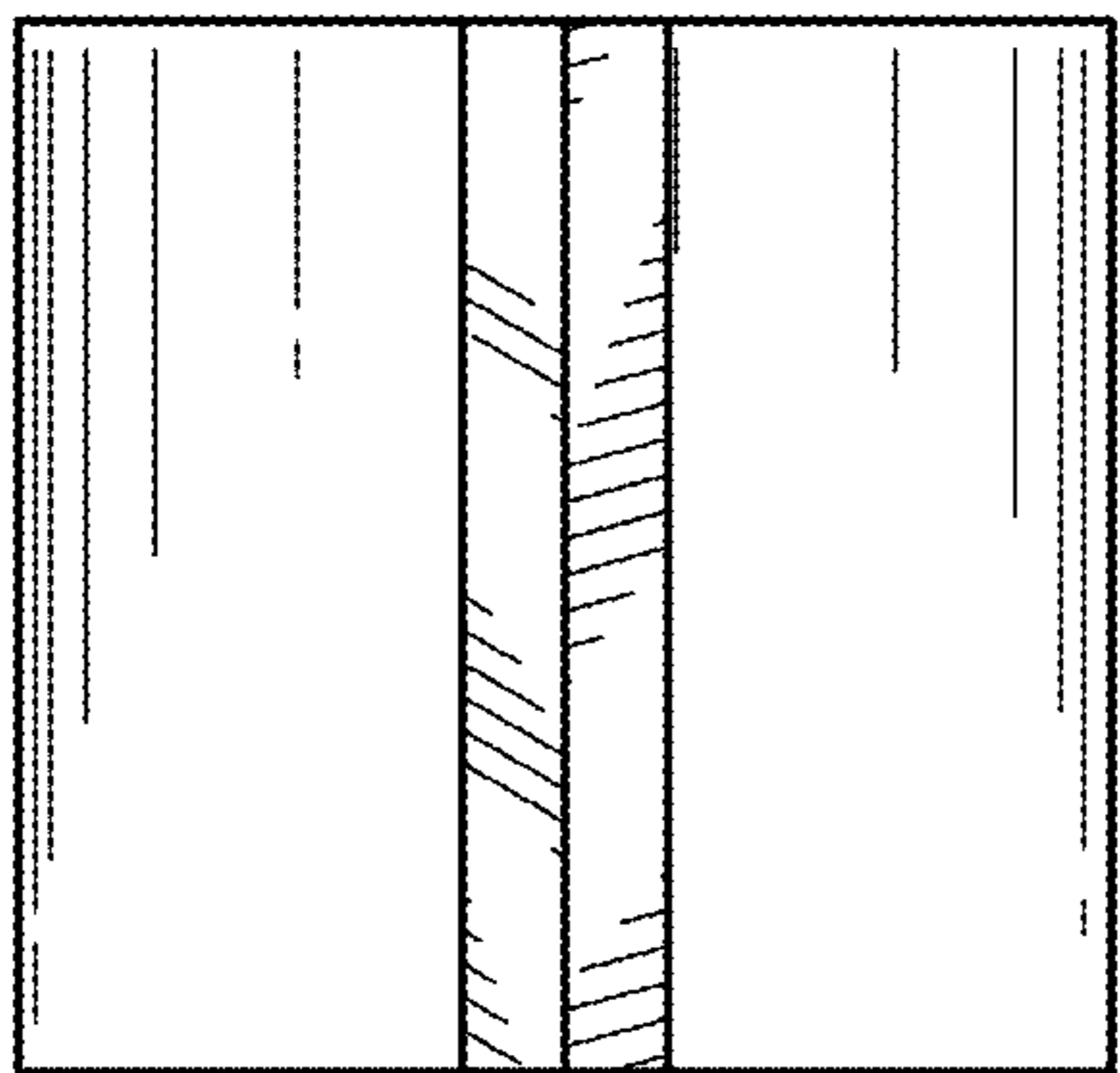


FIG. 6

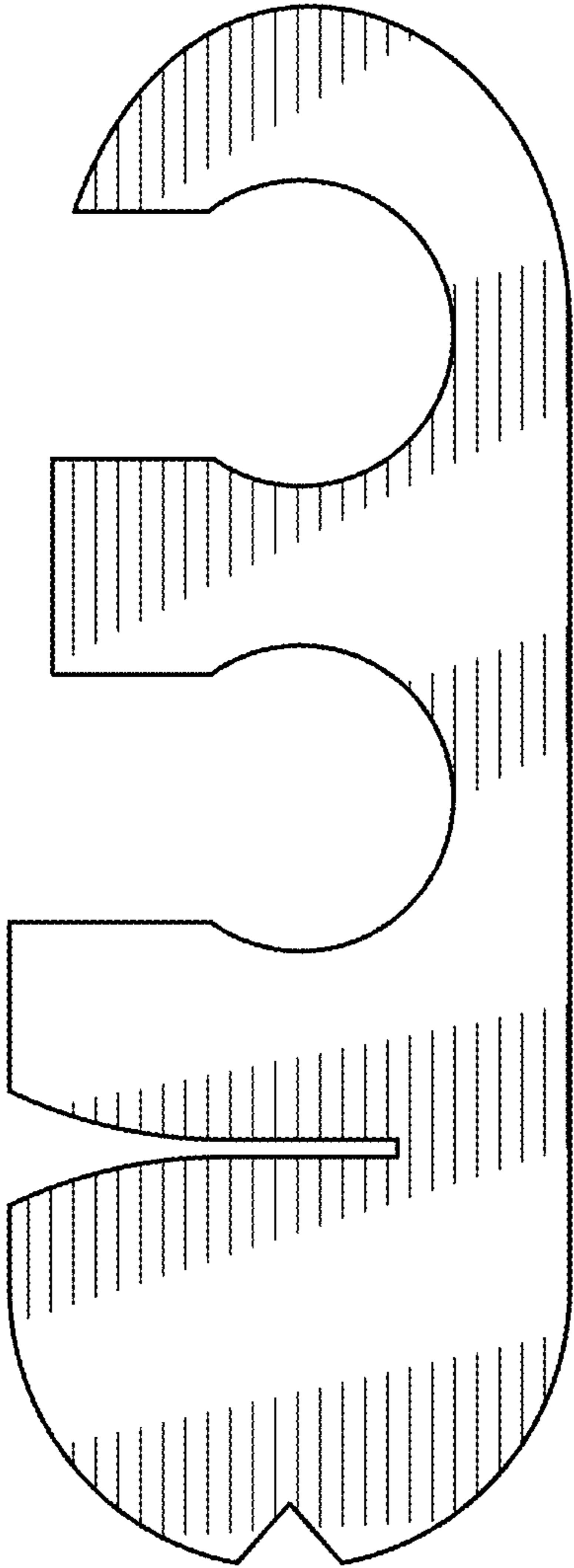


FIG. 7

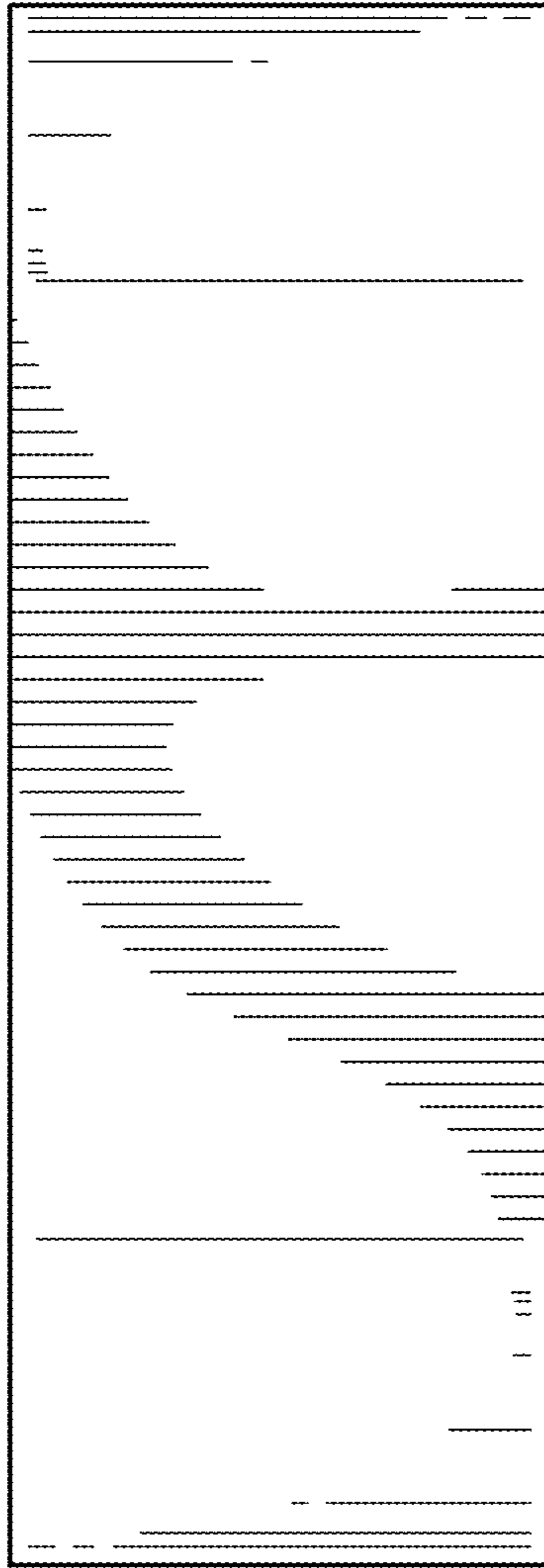


FIG. 8