



US00D928310S

(12) **United States Design Patent** (10) **Patent No.:** **US D928,310 S**
Chase et al. (45) **Date of Patent:** **** Aug. 17, 2021**

(54) **DIAPER WITH GRAPHIC**
(71) Applicant: **The Procter & Gamble Company**,
Cincinnati, OH (US)
(72) Inventors: **Katherine Chase**, Riverside, CA (US);
Kimberly Elizabeth Hawes, Norwood,
OH (US); **Danielle Schiano**, Cincinnati,
OH (US); **Keith Alvarado**, Cincinnati,
OH (US)
(73) Assignee: **The Procter & Gamble Company**,
Cincinnati, OH (US)

(**) Term: **15 Years**
(21) Appl. No.: **29/640,018**
(22) Filed: **Mar. 12, 2018**

(30) **Foreign Application Priority Data**
Sep. 12, 2017 (WO) 4690701
(51) **LOC (13) Cl.** **24-04**
(52) **U.S. Cl.**
USPC **D24/124**
(58) **Field of Classification Search**
USPC D24/124, 125, 126, 189, 190, 191, 192;
D5/55, 56, 57, 58, 59, 60, 61, 62, 63
CPC A61F 13/15; A61F 13/64; A61F 13/476;
A61F 13/5611; A61F 13/4704
See application file for complete search history.

(56) **References Cited**
U.S. PATENT DOCUMENTS
D463,549 S * 9/2002 Gannon D24/124
D542,409 S * 5/2007 Wannaborworn D24/125

D612,491 S *	3/2010	Sullivan Conrad	D24/124
D645,144 S *	9/2011	Mason	D24/126
D660,959 S *	5/2012	Gehrke	D24/126
D673,671 S *	1/2013	Hood	D24/125
D715,923 S *	10/2014	Cardin	D24/125
D721,804 S *	1/2015	Cutshaw	D24/126
D773,040 S *	11/2016	Fites	D24/126
D804,658 S *	12/2017	Fites	D24/126
D897,526 S *	9/2020	Fites	D24/126

* cited by examiner
Primary Examiner — Samantha Q Lawrence
(74) *Attorney, Agent, or Firm* — Wednesday G. Shipp

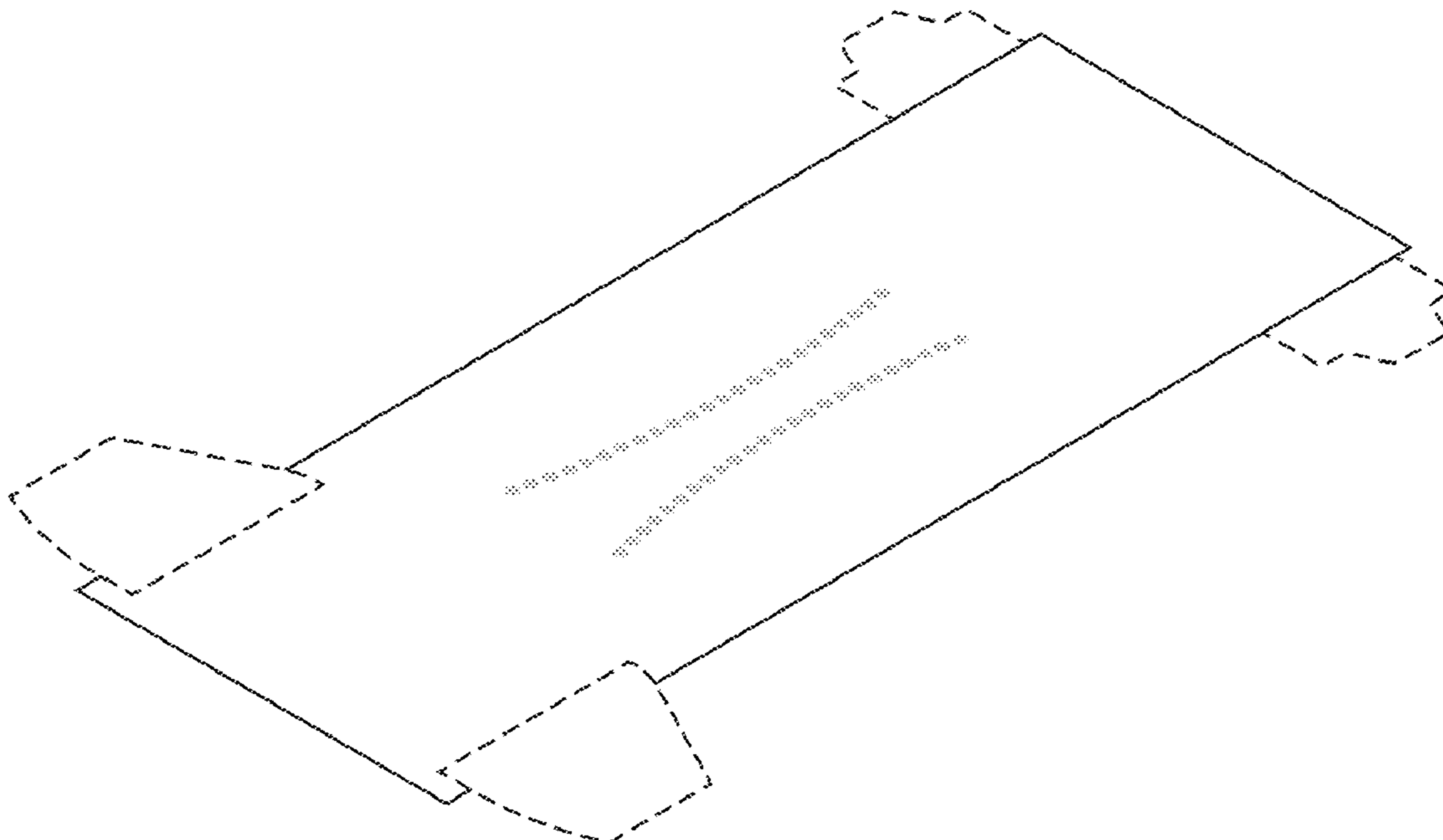
(57) **CLAIM**

The ornamental design for diaper with graphic, as shown and described.

DESCRIPTION

FIG. 1 is a perspective view of a diaper with graphic;
FIG. 2 is a front view thereof;
FIG. 3 is a back view thereof;
FIG. 4 is a left side view thereof;
FIG. 5 is a right side view thereof;
FIG. 6 is a bottom view thereof; and,
FIG. 7 is a top view thereof.
The broken lines shown in FIGS. 1-7 illustrate portions of the diaper with graphic that form no part of the claimed design.

1 Claim, 7 Drawing Sheets



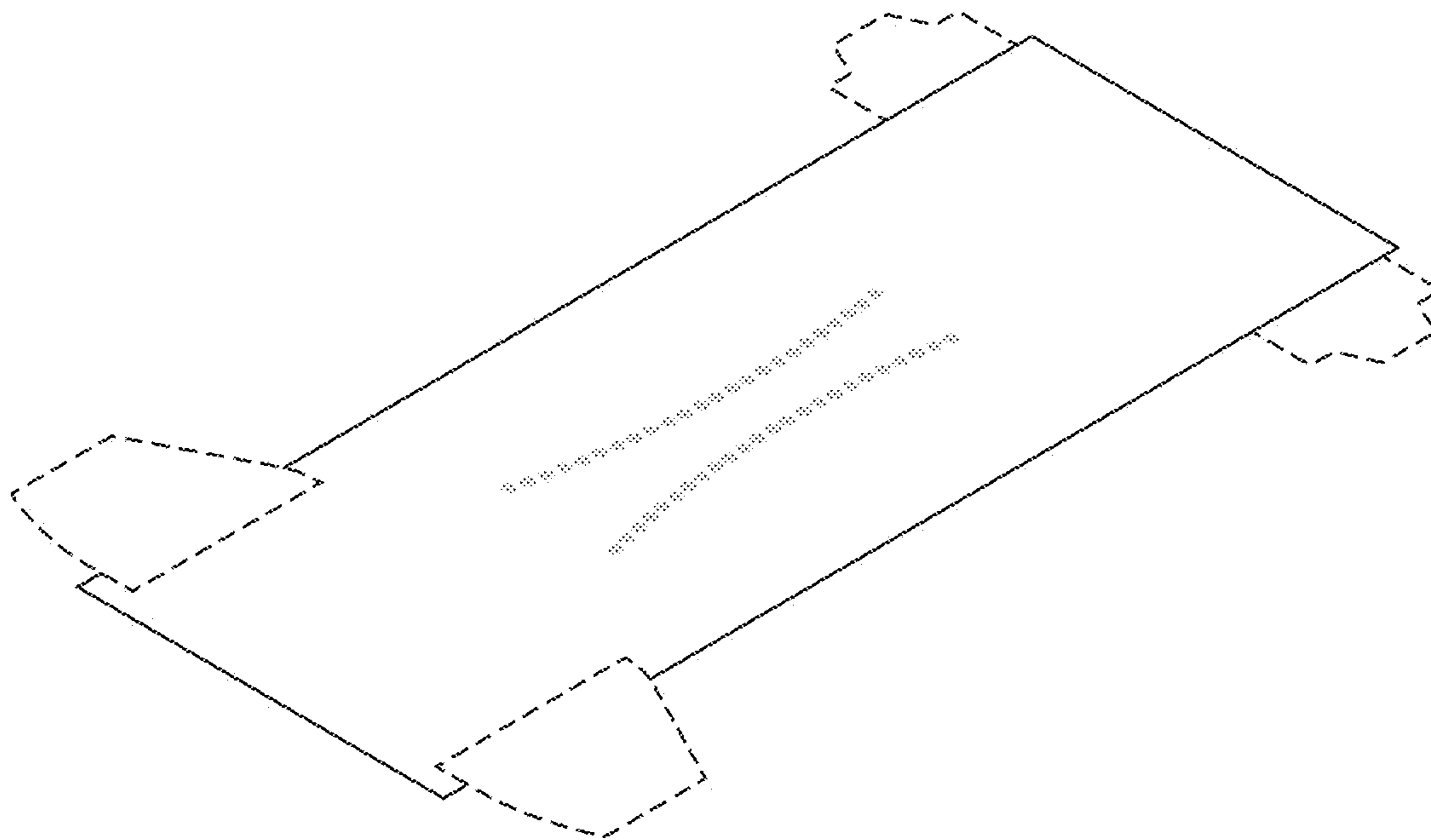


FIG. 1

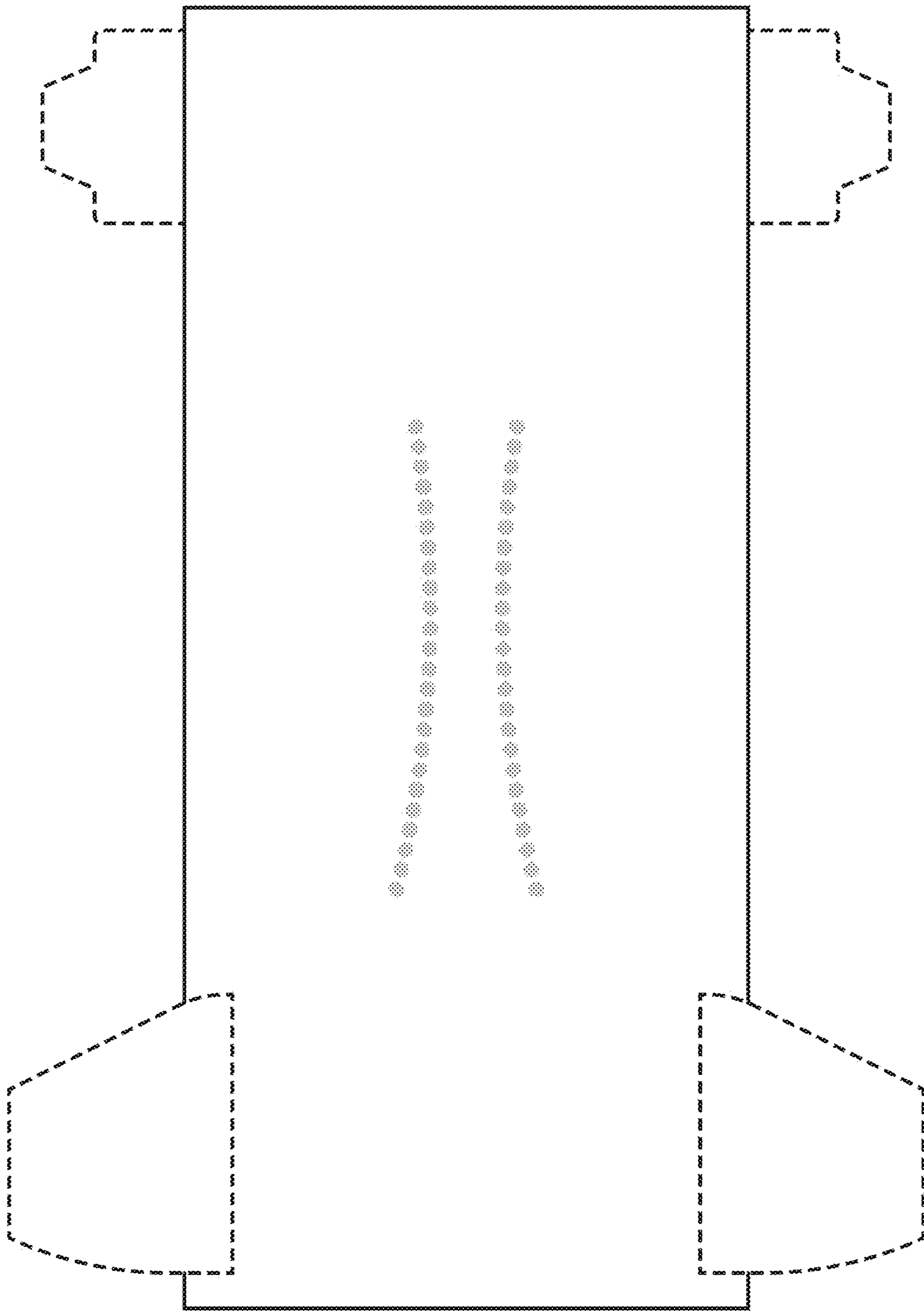


FIG. 2

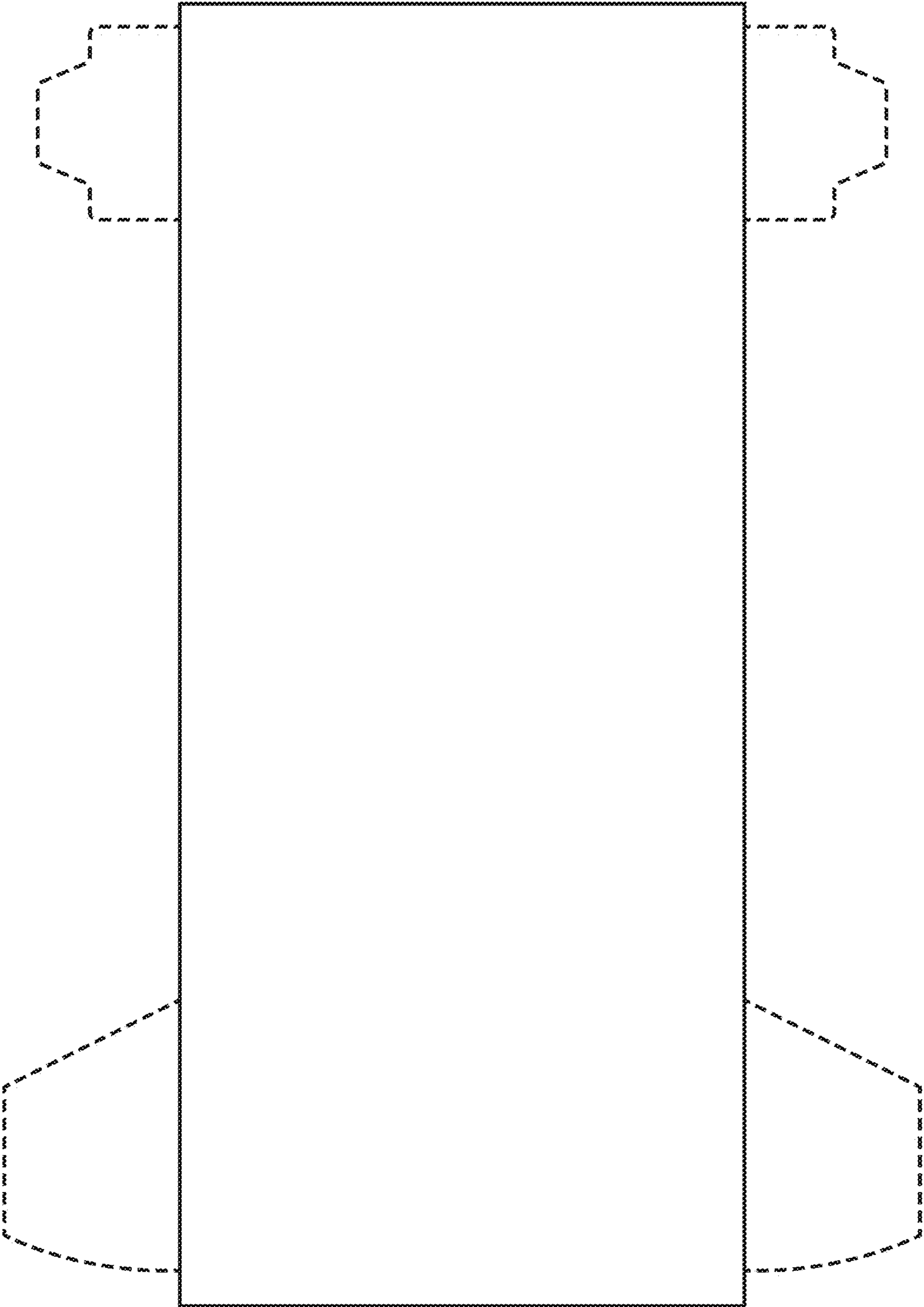


FIG. 3



FIG. 4



FIG. 5



FIG. 6



FIG. 7