



US00D928308S

(12) **United States Design Patent**
Mangeri

(10) **Patent No.:** **US D928,308 S**

(45) **Date of Patent:** **** Aug. 17, 2021**

(54) **APPLICATOR TIP**

(71) Applicant: **Sal C. Mangeri**, Winchester, VA (US)

(72) Inventor: **Sal C. Mangeri**, Winchester, VA (US)

(**) Term: **15 Years**

(21) Appl. No.: **29/652,797**

(22) Filed: **Dec. 3, 2020**

(51) **LOC (13) Cl.** **24-02**

(52) **U.S. Cl.**
USPC **D24/119**

(58) **Field of Classification Search**

USPC D24/133, 128, 135, 155, 159, 183, 184,
D24/190, 121, 127, 129, 130, 131, 112,
D24/113, 114, 186, 108, 111, 115, 119,
D24/137, 138, 147, 177, 214, 216, 222,
D24/224; D23/233, 234, 235, 236, 237,
D23/238, 239, 240; D28/7; D9/418,
D9/434, 435, 447, 448, 449, 452, 453,
D9/454, 724

CPC A61M 25/00; A61M 25/0043; A61M
25/0067; A61M 25/0097; A61M 39/00;
A61M 27/00; A61F 2/958; B01D 35/146;
B01D 2201/304; B01D 27/10; B01D
27/106; A61K 31/12; A61K 31/365;
A61K 31/7048; A61K 31/60; A61K 36/29
See application file for complete search history.

(56) **References Cited**

U.S. PATENT DOCUMENTS

D286,380 S	*	10/1986	Harman	D9/447
D324,267 S	*	2/1992	Smitt	D24/112
D344,131 S	*	2/1994	Hubbell	D24/107
D353,194 S	*	12/1994	Walton	D24/130
D357,065 S	*	4/1995	Castellini	D24/112
D358,464 S	*	5/1995	Anderson	D24/112
D359,118 S	*	6/1995	Nates	D24/108
D360,580 S	*	7/1995	Bomareto	D9/447

D363,246 S	*	10/1995	Angles	D10/101
D364,456 S	*	11/1995	Solnit	D24/112
D371,601 S	*	7/1996	Markles	D24/122
D383,065 S	*	9/1997	Eastling	D9/447
D417,483 S		12/1999	Cornford et al.		
D425,669 S	*	5/2000	Gavin	D28/85
D438,954 S		3/2001	Orsing		
D450,382 S	*	11/2001	Nestenberg	D24/112
D455,211 S	*	4/2002	Allende	D24/112
D459,434 S		6/2002	Fauquet		
D468,601 S	*	1/2003	Horst	D8/14.1
D468,640 S	*	1/2003	Mitchell	D9/503
D469,869 S		2/2003	Farris		
D476,538 S	*	7/2003	Dorff	D8/14.1

(Continued)

Primary Examiner — T Chase Nelson

Assistant Examiner — Kelly L Gross

(74) *Attorney, Agent, or Firm* — Dunlap Bennett &
Ludwig, PLLC; Brendan E. Squire

(57) **CLAIM**

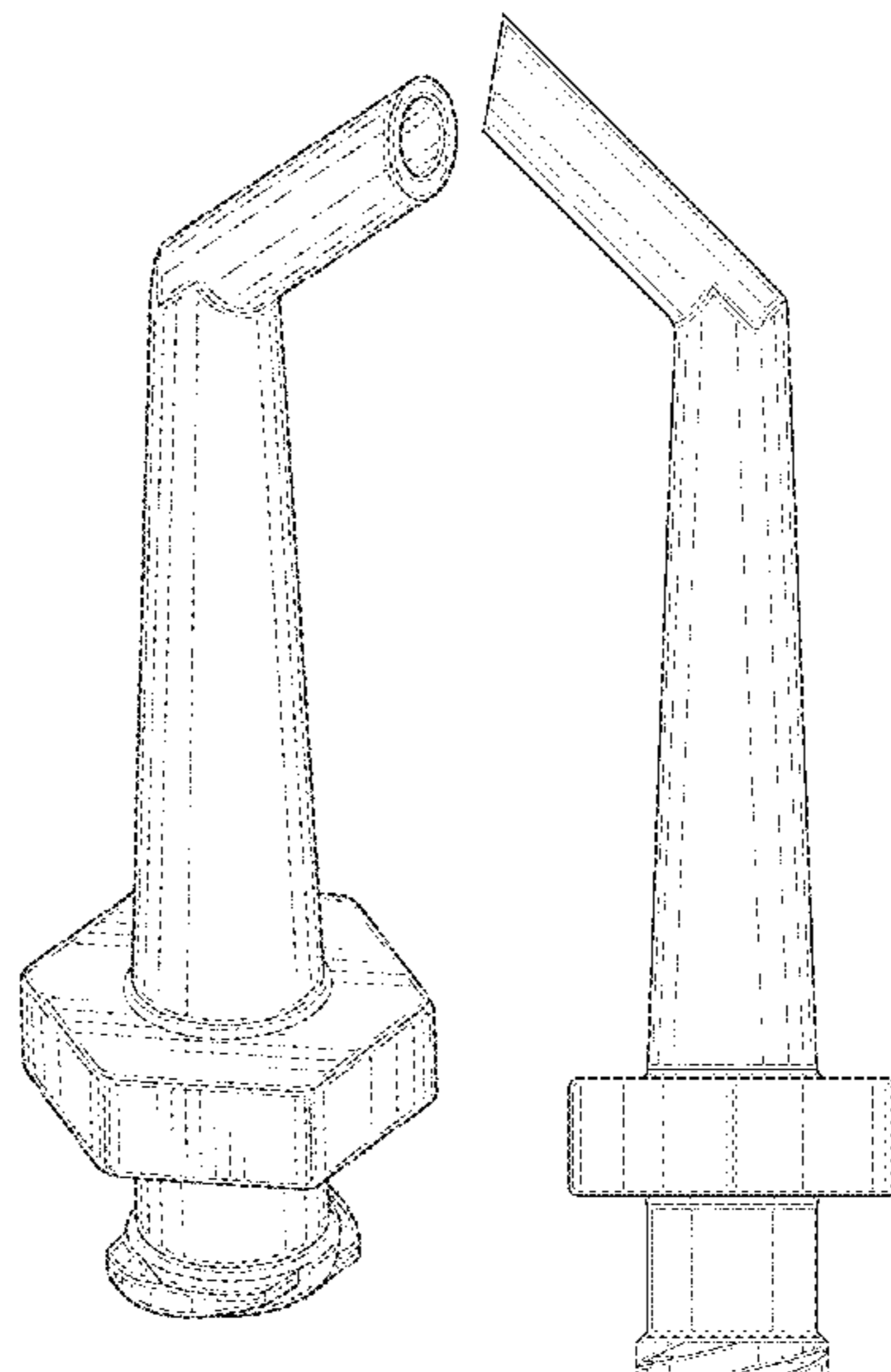
The ornamental design for an applicator tip, as shown and described.

DESCRIPTION

FIG. 1 is a perspective view of the applicator tip showing my new design;
FIG. 2 is a right-side elevation view thereof;
FIG. 3 is a left-side elevation view thereof;
FIG. 4 is a front elevation view thereof;
FIG. 5 is a rear elevation view thereof;
FIG. 6 is a top plan view thereof;
FIG. 7 is a bottom plan view thereof; and,
FIG. 8 is an in-use view thereof.

The even length broken lines shown in the drawing of FIG. 8 illustrate environment for use of the applicator tip that form no part of the claimed design. The alternating-length broken lines show the order of assembly for the applicator tip in a condition of use, and also form no part of the claimed design.

1 Claim, 5 Drawing Sheets



(56)

References Cited

U.S. PATENT DOCUMENTS

- D479,466 S 9/2003 Bremner et al.
D481,743 S 11/2003 Vuorio
D487,398 S 3/2004 Bremner et al.
D498,288 S 11/2004 Chen
D507,680 S * 7/2005 Py D28/88
D515,208 S * 2/2006 Tarumi D24/114
D516,251 S * 2/2006 Py D28/89
D518,144 S 3/2006 Py et al.
D520,807 S 5/2006 Morgan
D530,862 S * 10/2006 Py D28/89
D533,270 S * 12/2006 Kierce D24/112
D535,721 S 1/2007 Ford et al.
D538,428 S * 3/2007 Andreen D24/141
D539,417 S * 3/2007 Cimino D24/108
D541,933 S 5/2007 White et al.
D543,312 S * 5/2007 Guan D27/170
D544,094 S * 6/2007 Kustasz D24/108
D548,889 S * 8/2007 Py D28/89
D559,470 S * 1/2008 Stevens D30/121
D570,478 S 6/2008 Sudo
D571,458 S * 6/2008 Kataoka D24/108
D574,617 S 8/2008 Gamez et al.
D585,138 S * 1/2009 Boehm D24/181
D587,371 S * 2/2009 Purga D24/156
D587,372 S * 2/2009 Purga D24/156
D587,373 S * 2/2009 Purga D24/156
D587,524 S * 3/2009 Allen B65D 47/06
D587,809 S * 3/2009 Boehm D24/181
D591,099 S * 4/2009 Bruce D7/301
D595,990 S * 7/2009 Rothberg D7/300.2
D596,440 S * 7/2009 Rothberg D7/300.2
D602,591 S * 10/2009 Cheetham D24/176
D602,592 S * 10/2009 Cheetham D24/176
D602,593 S * 10/2009 Cheetham D24/176
D604,609 S * 11/2009 Barker D9/447
D605,037 S * 12/2009 Schrimpf D9/447
D605,759 S * 12/2009 Cuevas D24/133
D612,485 S * 3/2010 Wait D24/112
D612,736 S * 3/2010 Pecora D9/522
D617,448 S * 6/2010 Singh D24/112
D625,602 S * 10/2010 Schrimpf D9/447
D632,359 S 2/2011 Goutiere et al.
D632,360 S 2/2011 Goutiere et al.
D633,384 S 3/2011 Tanaka
D639,903 S 6/2011 Plotzitzka et al.
D650,251 S 12/2011 Binder et al.
D650,887 S 12/2011 Wright
D657,877 S * 4/2012 Pauser D24/176
D659,824 S * 5/2012 Kwok D24/113
D662,654 S * 6/2012 Trudnowski D27/167
D668,543 S * 10/2012 Lovinger D9/447
D681,876 S * 5/2013 Murdock D28/7
D685,466 S * 7/2013 Moshinsky D24/130
D694,891 S * 12/2013 Dietrich D24/172
D700,318 S * 2/2014 Amoah D24/112
D700,827 S * 3/2014 Starck D8/367
D701,764 S * 4/2014 Brower D9/440
D704,024 S * 5/2014 Tronconi D8/107
D704,025 S * 5/2014 Tronconi B25G 1/04
D708,737 S * 7/2014 Sherman D24/112
D712,741 S * 9/2014 Vukelic D9/435
D713,027 S * 9/2014 Adams D24/112
D716,616 S * 11/2014 Hughes D7/700
D719,826 S * 12/2014 Burnside D9/447
D722,846 S * 2/2015 Bacich D8/14.1
D724,200 S * 3/2015 Brannon D24/112
D726,477 S * 4/2015 Buck D7/300.2
D726,912 S * 4/2015 Fiorina D24/152
D728,326 S * 5/2015 Wirth D7/700
D728,327 S * 5/2015 Wirth D7/700
D728,328 S * 5/2015 Wirth D7/700
D728,329 S * 5/2015 Wirth D7/700
D728,330 S * 5/2015 Wirth D7/700
D728,331 S * 5/2015 Wirth D7/700
D728,781 S * 5/2015 Pierson D24/112
D731,058 S * 6/2015 Dietrich D24/150
D731,652 S * 6/2015 Miller D24/152
D733,300 S * 6/2015 Bennett D24/147
D734,490 S 7/2015 Eckstein et al.
D735,334 S * 7/2015 Van Dalen D24/150
D748,476 S * 2/2016 Lakstins D9/447
D750,269 S * 2/2016 Cox D24/209
D751,191 S 3/2016 Kuhlow
D752,748 S * 3/2016 Van Dalen D24/150
D752,749 S * 3/2016 Van Dalen D24/150
D754,344 S * 4/2016 Fiorina D24/152
D755,368 S * 5/2016 Efinger D24/112
D757,253 S * 5/2016 Efinger D24/112
D760,381 S * 6/2016 Fox D24/112
D760,393 S * 6/2016 Pierson D24/176
9,446,216 B2 * 9/2016 Oleksy B29C 48/0022
D771,248 S 11/2016 Ruiz, Sr. et al.
D774,908 S 12/2016 Eckstein et al.
9,555,221 B2 * 1/2017 Koehler A61M 5/329
D779,063 S * 2/2017 Chu D24/152
D782,001 S 3/2017 Birch
D789,199 S * 6/2017 Kerill D9/447
D789,790 S 6/2017 Eckstein et al.
D792,592 S * 7/2017 Edwards D24/146
D799,697 S 10/2017 Cosmescu
D800,316 S * 10/2017 Evers D24/176
D800,896 S * 10/2017 Roberts D24/111
9,827,070 B2 * 11/2017 Peuker A61C 5/62
D808,702 S * 1/2018 Hollander D7/300.2
D810,928 S * 2/2018 Teufel D24/112
D820,671 S * 6/2018 Yu D8/387
D821,369 S * 6/2018 Baiz D14/233
D821,585 S * 6/2018 Kile D24/176
D823,460 S * 7/2018 Raghuvier D24/114
D825,987 S * 8/2018 Min D7/398
D827,140 S * 8/2018 Caesar D24/176
D831,397 S * 10/2018 Diorio D7/300.2
D832,443 S * 10/2018 Berkely D24/176
D833,610 S * 11/2018 Pieroni D24/152
D846,143 S * 4/2019 Ito D24/222
D849,408 S * 5/2019 Bloch D4/101
D853,561 S * 7/2019 Guo A61N 1/37205
D859,647 S * 9/2019 Chang D24/115
D859,969 S * 9/2019 Yu D8/387
D862,692 S * 10/2019 Leon Rovira D24/127
D864,358 S * 10/2019 Vish D23/255
D864,382 S * 10/2019 Adams D24/119
D868,243 S * 11/2019 Taylor D24/111
D870,897 S * 12/2019 Katzberg D24/187
D875,244 S * 2/2020 Wainberg D24/130
D875,257 S * 2/2020 Berkely D24/176
D877,353 S * 3/2020 Ito D24/222
D878,621 S * 3/2020 Librach D24/222
D883,777 S * 5/2020 Yu D8/387
D887,269 S * 6/2020 Marik A61C 5/62
D890,917 S * 7/2020 Taylor D24/111
D892,321 S * 8/2020 Newton D24/130
D895,107 S * 9/2020 Zhang D24/121
D898,901 S * 10/2020 de Malibrán-Santibanez
A61D 1/025
D900,312 S * 10/2020 Davidson D24/119
D908,450 S * 1/2021 Tabesh Nekoo D7/700
D913,491 S * 3/2021 Hein D24/122
D917,696 S * 4/2021 Muller D24/152
D920,111 S * 5/2021 Bennitt D9/449
D921,198 S * 6/2021 Girod D24/152
D921,208 S * 6/2021 Kwon D24/193
D921,279 S * 6/2021 Schlaegel D27/162
2011/0114668 A1 5/2011 Bublewitz et al.
2013/0101955 A1 4/2013 Broyles et al.
2013/0260335 A1 10/2013 Peuker et al.

* cited by examiner

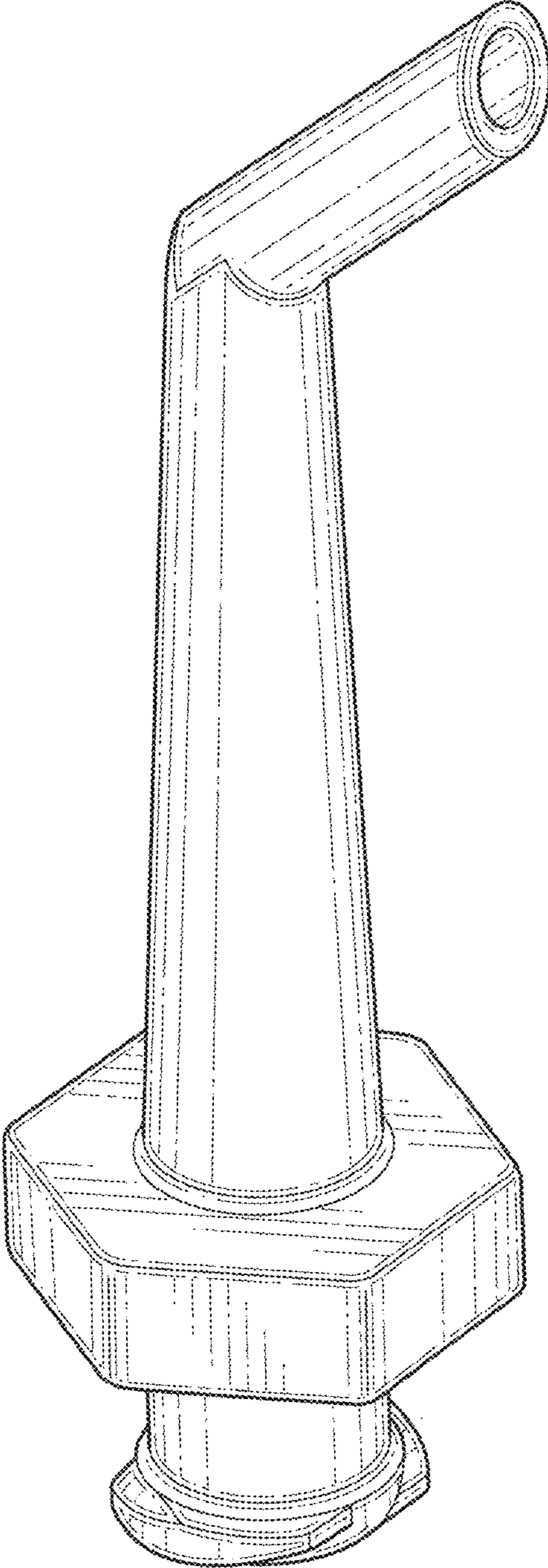


FIG. 1

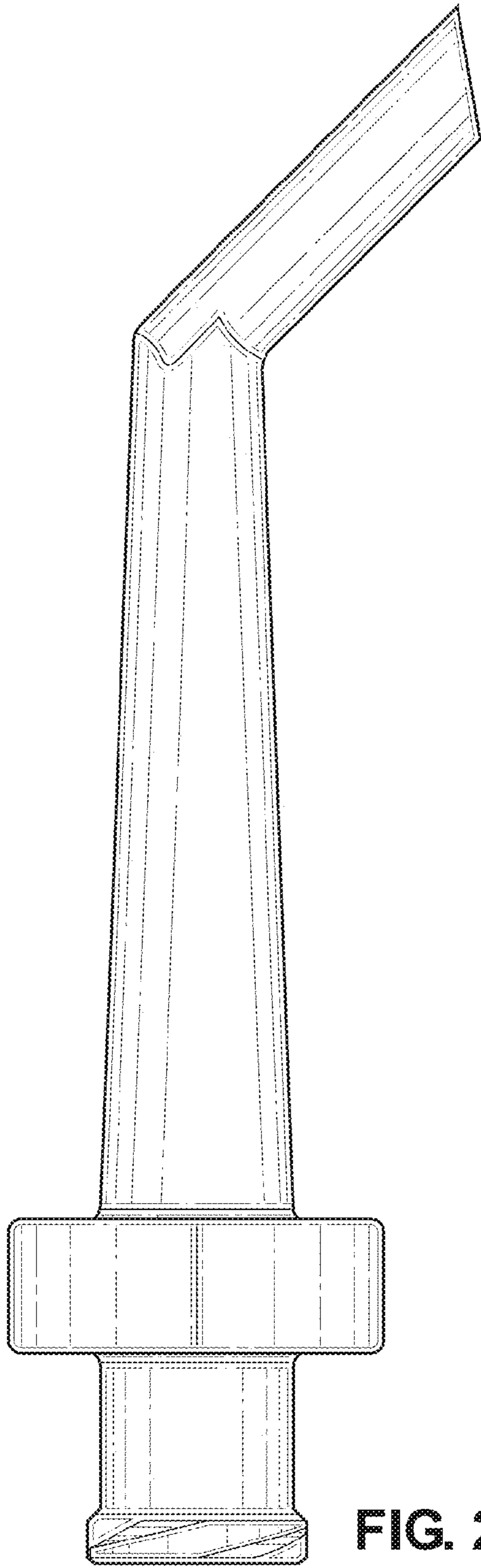


FIG. 2

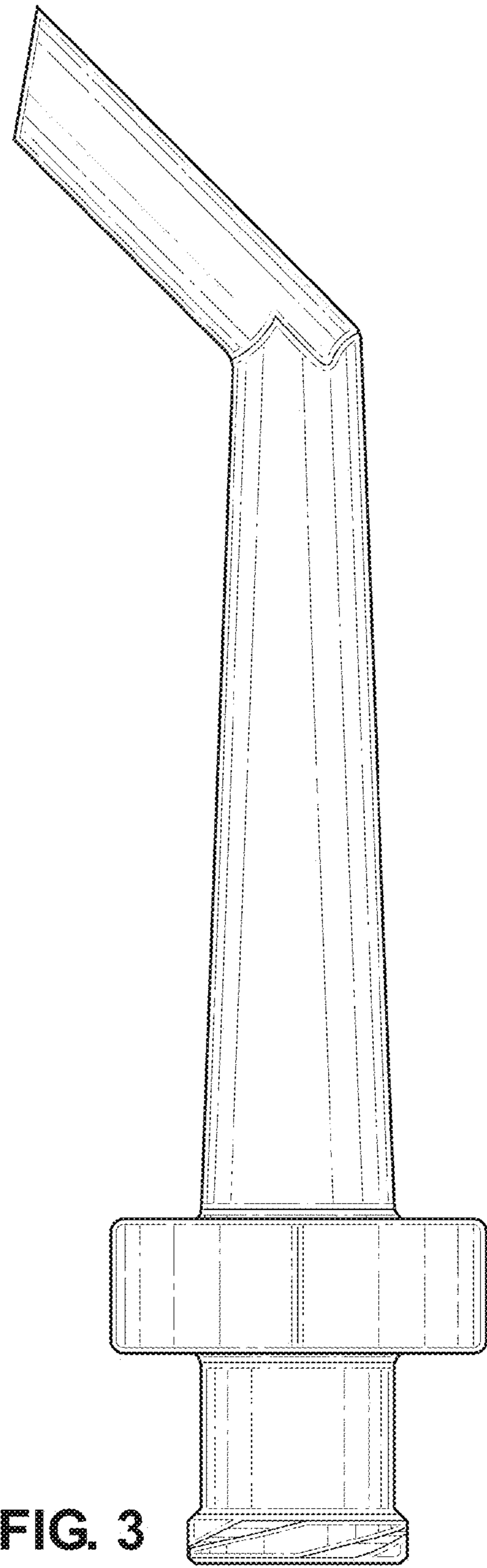


FIG. 3

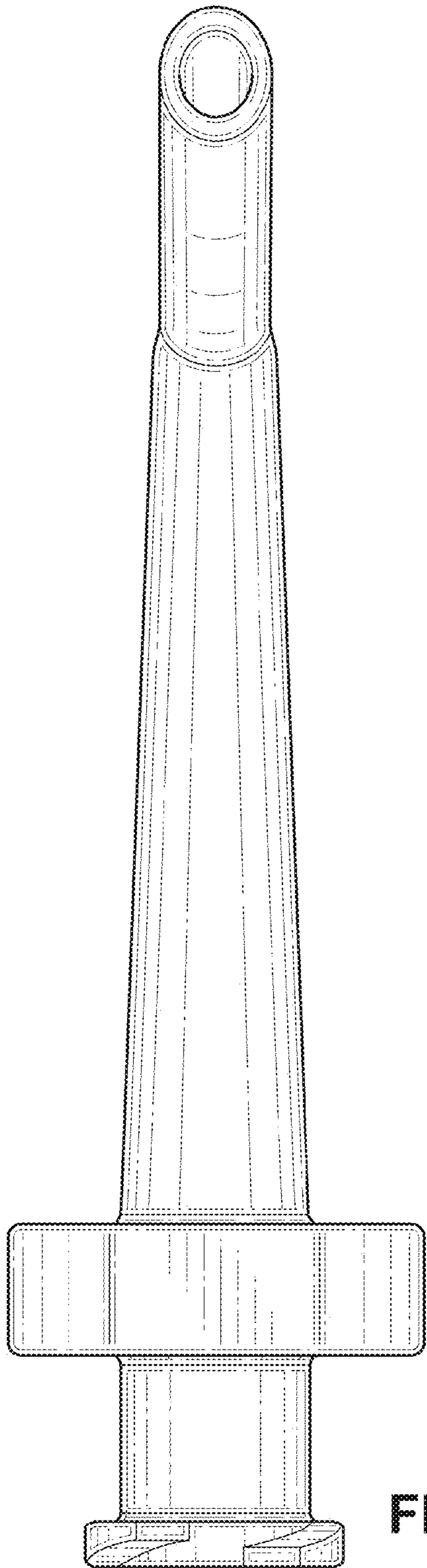


FIG. 4

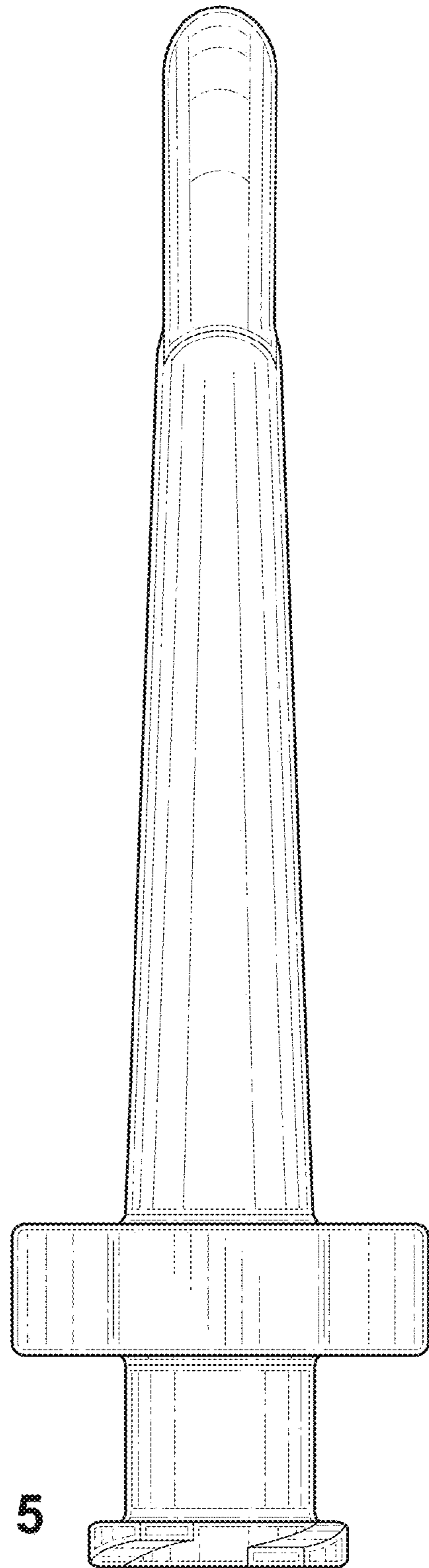


FIG. 5

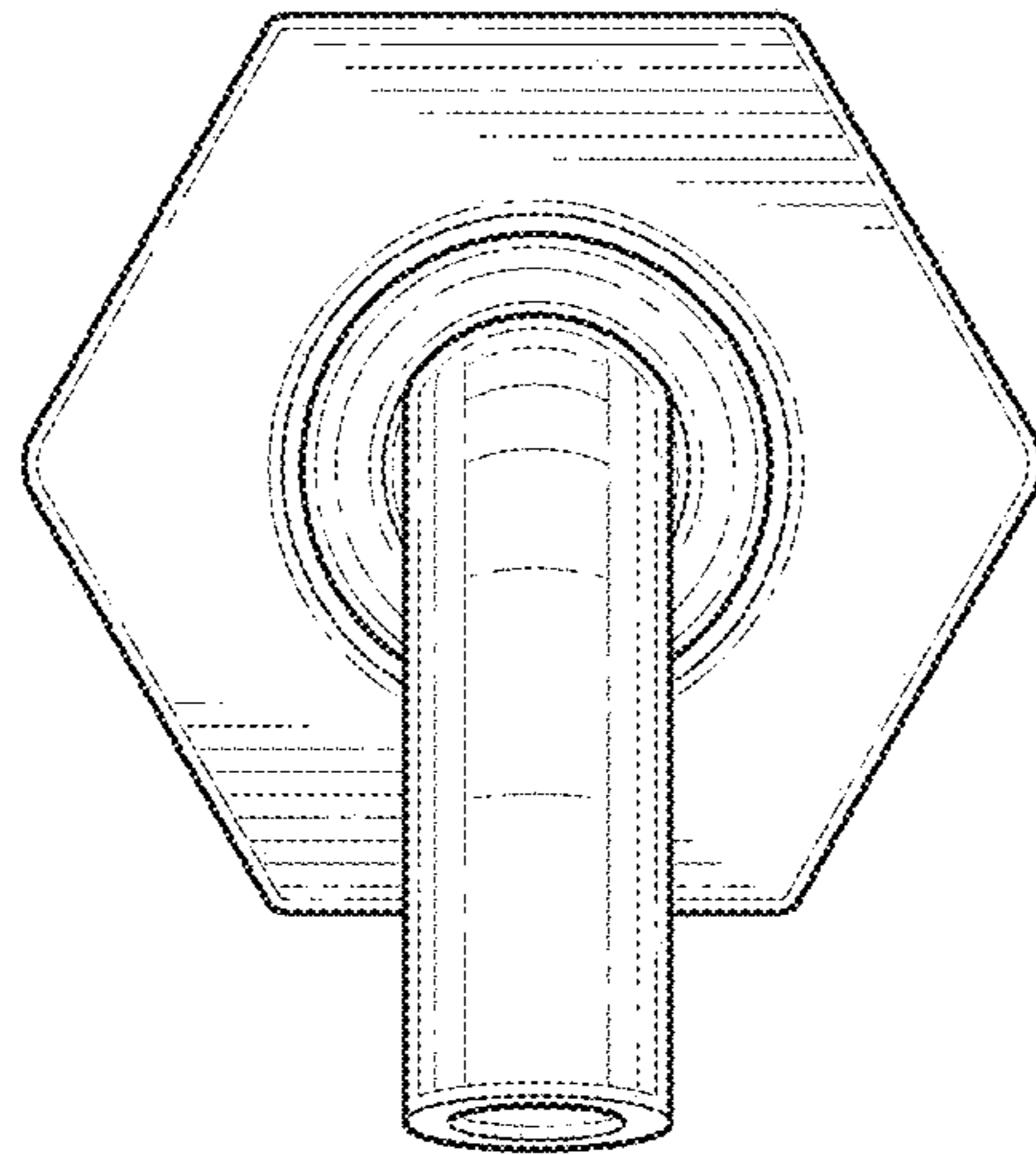


FIG. 6

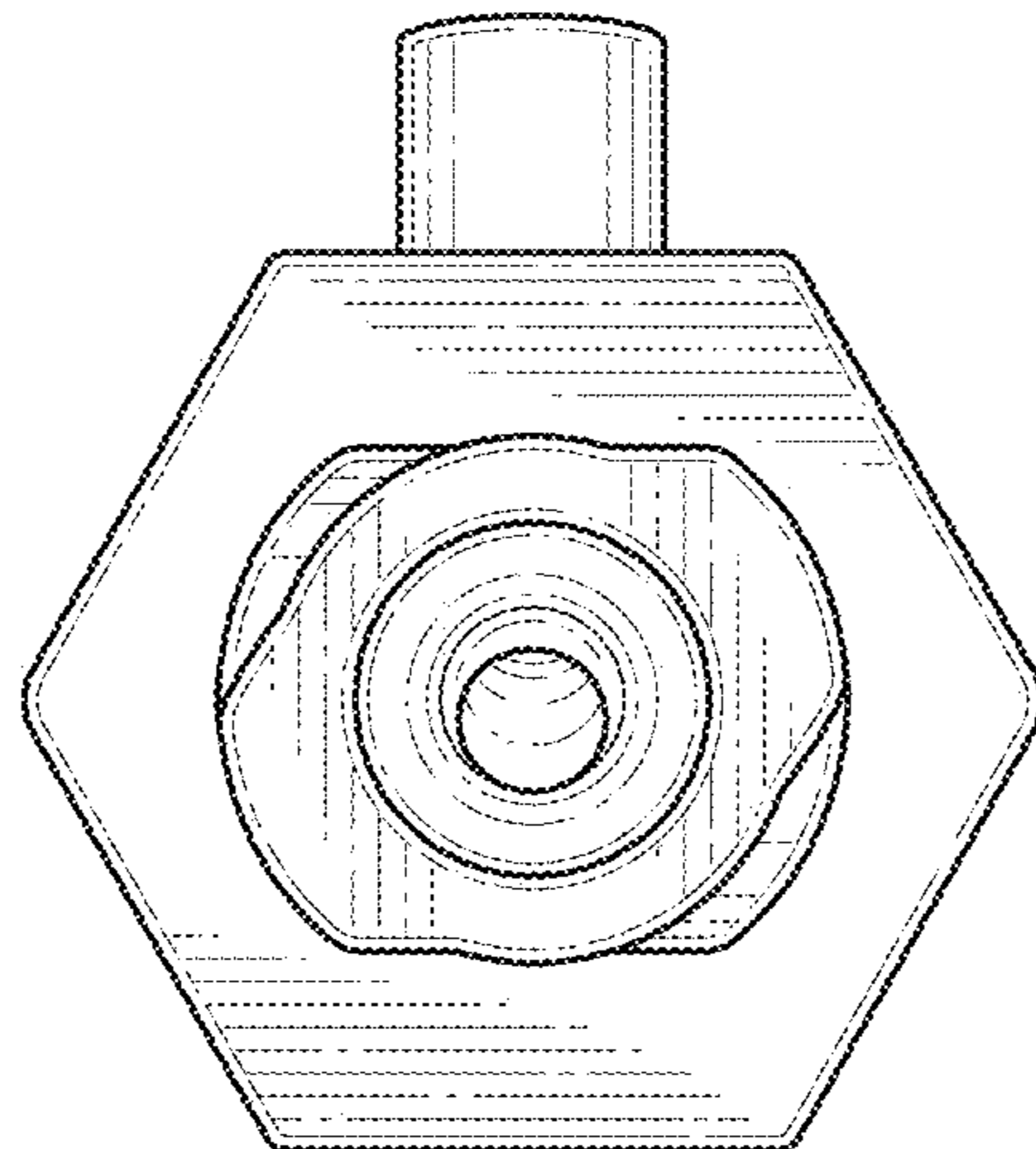


FIG. 7

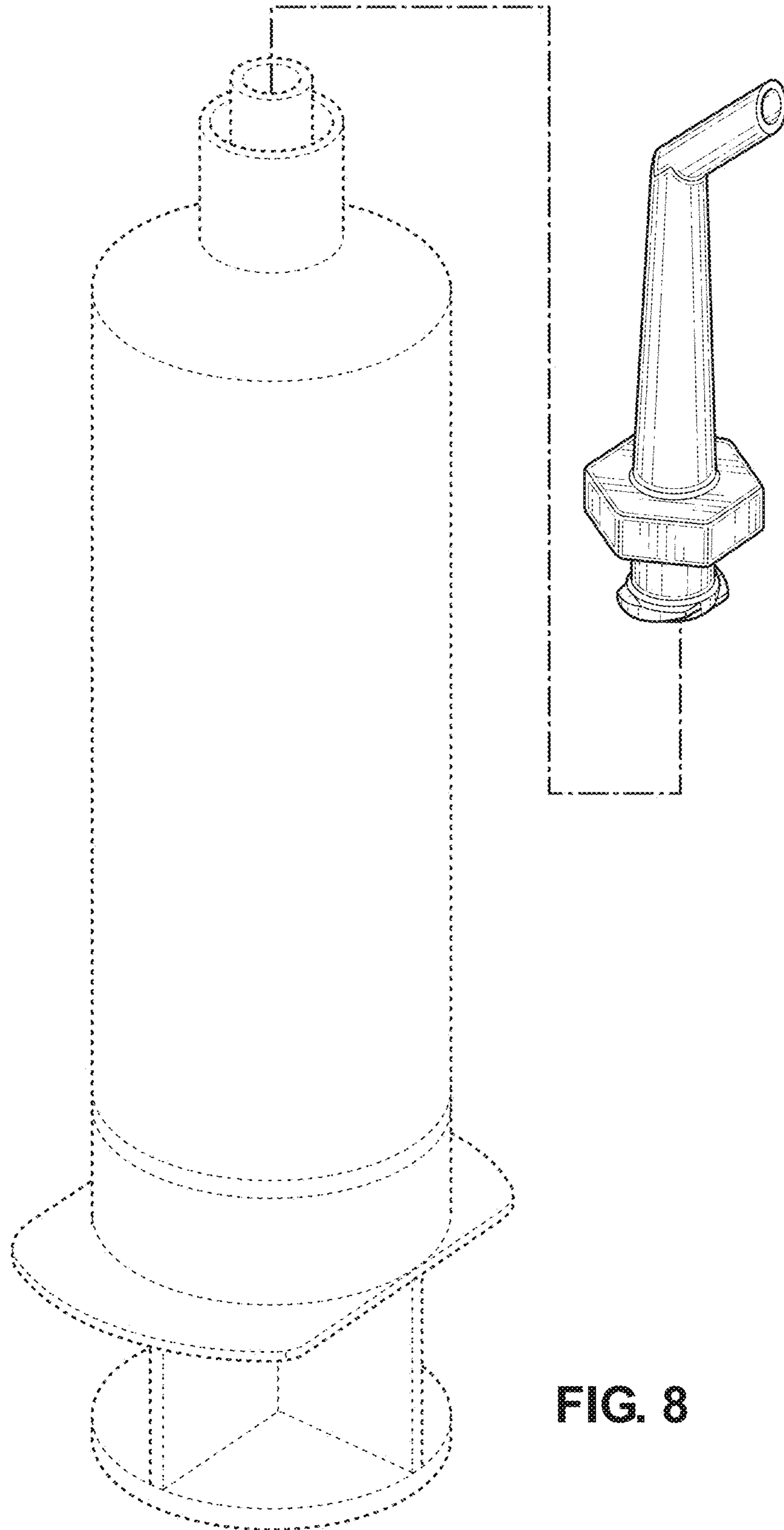


FIG. 8