



US00D928306S

(12) **United States Design Patent**
Charles

(10) **Patent No.:** **US D928,306 S**

(45) **Date of Patent:** **** Aug. 17, 2021**

(54) **MASK ADAPTER**

(71) Applicant: **SoClean, Inc.**, Peterborough, NH (US)

(72) Inventor: **Robert A. Charles**, New Boston, NH (US)

(73) Assignee: **SOCLEAN, INC.**, Peterborough, NH (US)

(**) Term: **15 Years**

(21) Appl. No.: **29/731,458**

(22) Filed: **Apr. 15, 2020**

(51) **LOC (13) Cl.** **24-02**

(52) **U.S. Cl.**
USPC **D24/110.4; D24/110.1**

(58) **Field of Classification Search**
USPC D24/110, 110.1-110.6, 162, 231, 217;
D29/102, 106-108, 110
CPC . A41D 13/11; A41D 13/1107; A41D 13/1115;
A41D 13/113; A41D 13/1138; A41D
13/1146; A41D 13/1161; A41D 2400/52;
A62B 23/00; A62B 23/02; A62B 23/025;
A62B 18/02; A62B 18/025; A62B
18/084; A62B 18/086; A62B 18/10

See application file for complete search history.

(56) **References Cited**

U.S. PATENT DOCUMENTS

2,467,337 A * 4/1949 Schnell A61L 2/00
422/302
D554,762 S * 11/2007 Delaney D24/217
D601,711 S * 10/2009 Lin D24/217
D747,463 S * 1/2016 Bare D24/110.6
D811,582 S * 2/2018 Moulton D24/110.1

D849,934 S * 5/2019 Collazo D24/110.4
D868,992 S * 12/2019 Ma D24/217
2009/0032028 A1* 2/2009 Bare A61M 16/208
128/207.16

FOREIGN PATENT DOCUMENTS

CN 304302875 * 9/2017
EM 000980248-0002 * 7/2008
EM 007802160-0001 * 4/2020

* cited by examiner

Primary Examiner — Eric L Goodman

Assistant Examiner — Lee D. Starr

(74) *Attorney, Agent, or Firm* — Grossman, Tucker,
Perreault & Pflieger, PLLC

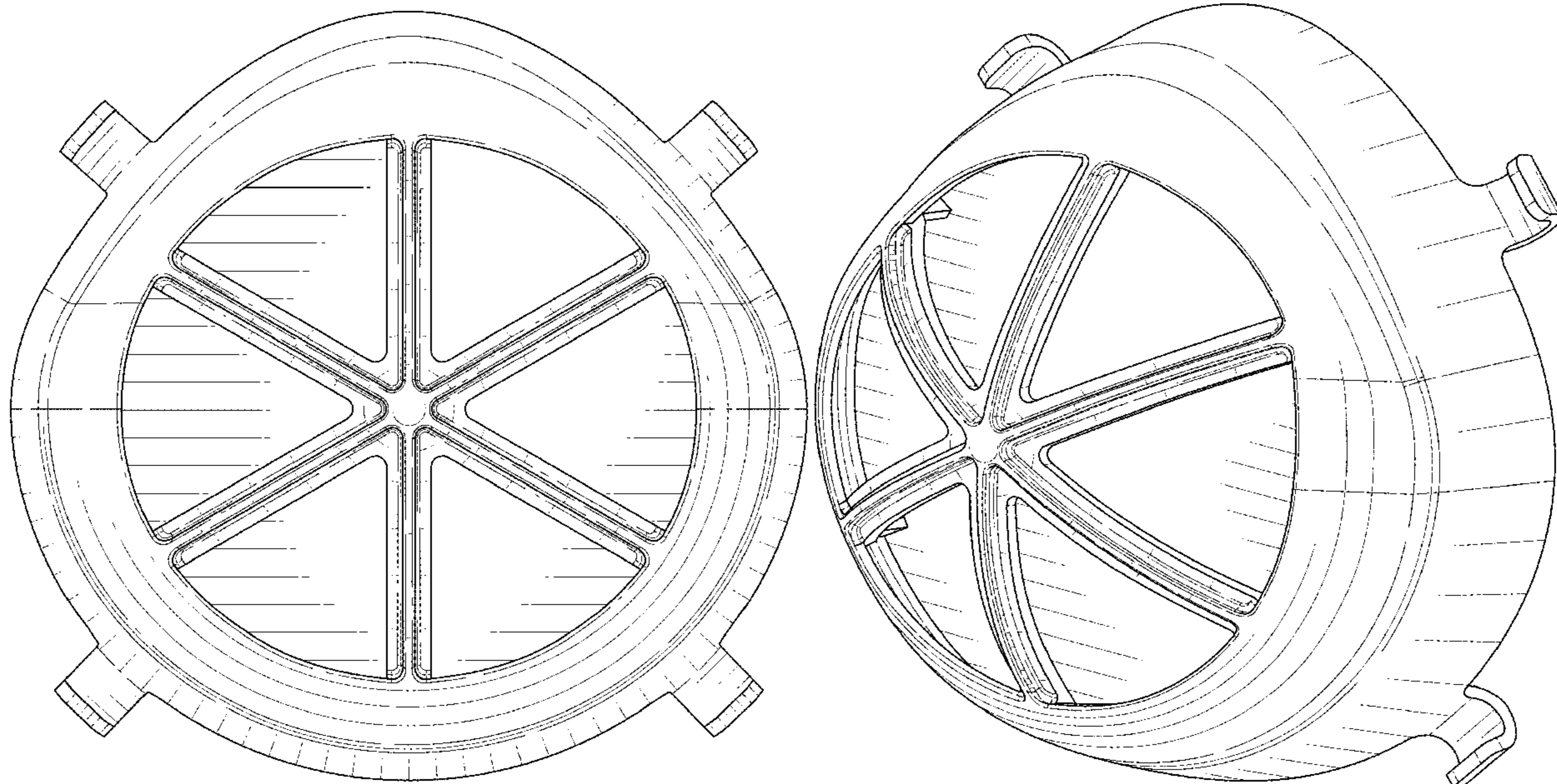
(57) **CLAIM**

The ornamental design of a mask adapter, as shown and described.

DESCRIPTION

FIG. 1 is a front view of a mask adapter, showing the new design;
FIG. 2 is a rear view thereof;
FIG. 3 is a left side view thereof;
FIG. 4 is a right side view thereof;
FIG. 5 is a top view thereof;
FIG. 6 is a bottom view thereof;
FIG. 7 is a front top right perspective view thereof;
FIG. 8 is a front top left perspective view thereof;
FIG. 9 is a rear top left perspective view thereof;
FIG. 10 is a rear top right perspective view thereof;
FIG. 11 is a front bottom right perspective view thereof;
FIG. 12 is a front bottom left perspective view thereof;
FIG. 13 is a rear bottom right perspective view thereof; and,
FIG. 14 is a rear bottom left perspective view thereof.

1 Claim, 14 Drawing Sheets



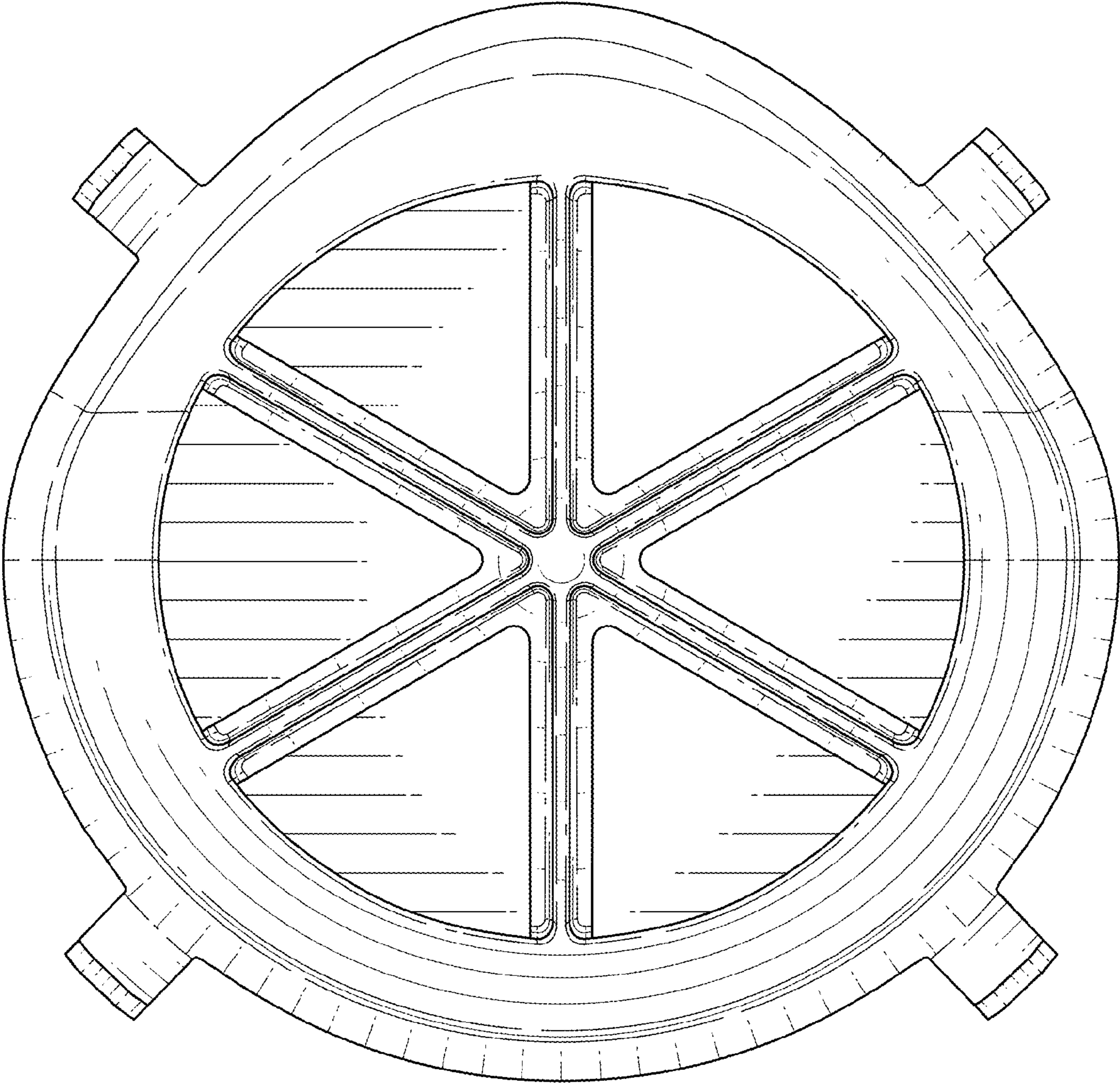


FIG. 1

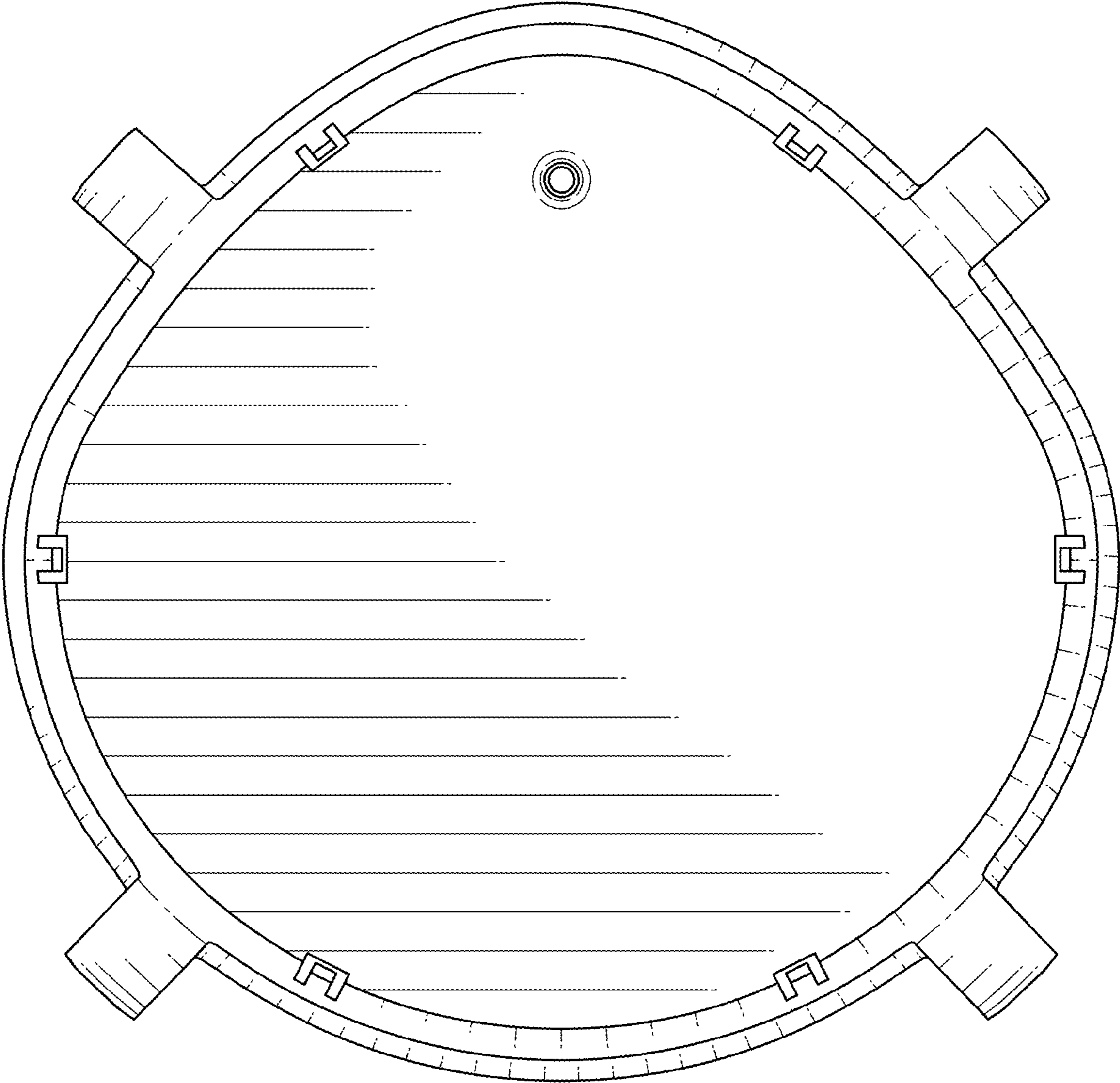


FIG. 2

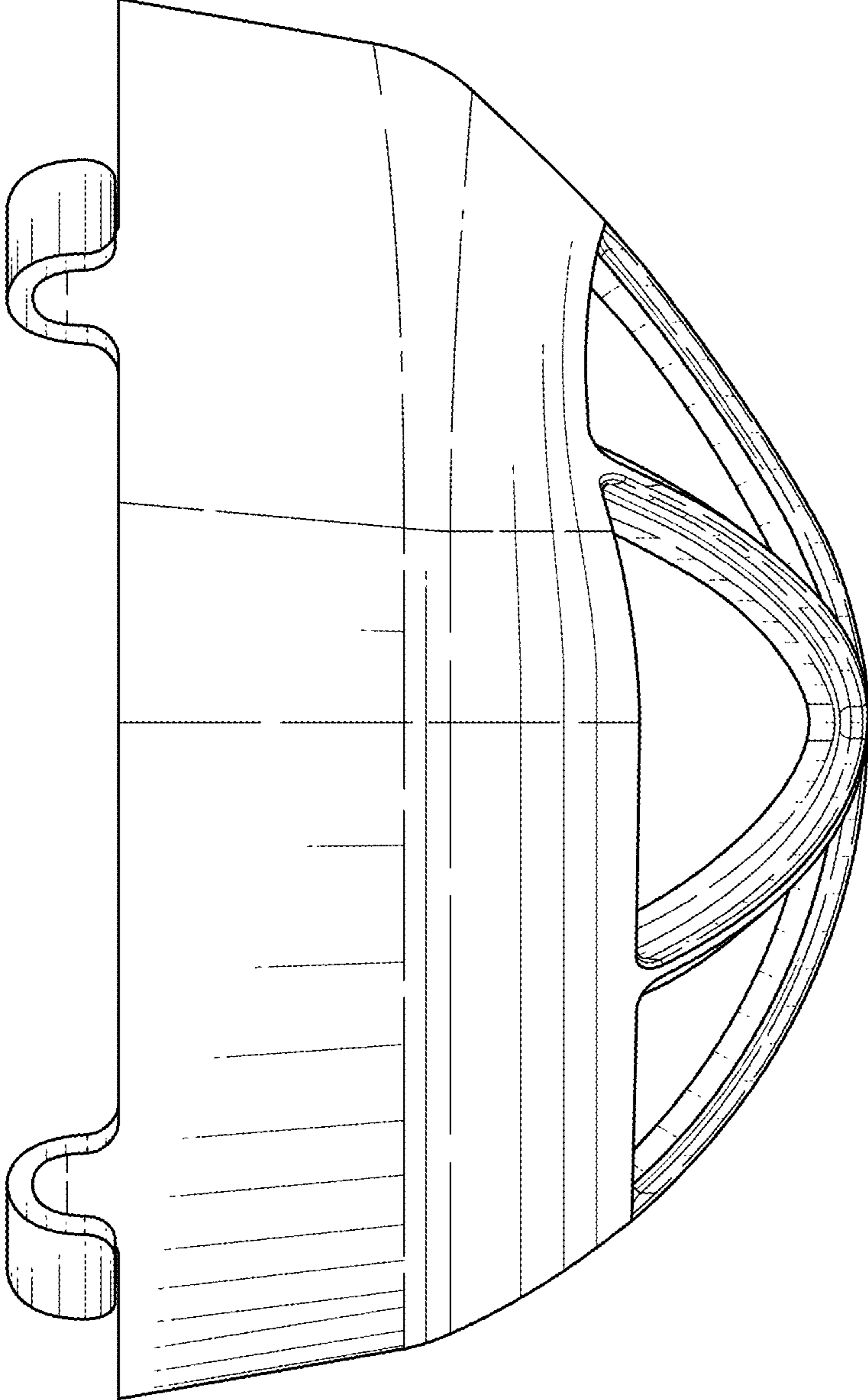


FIG. 3

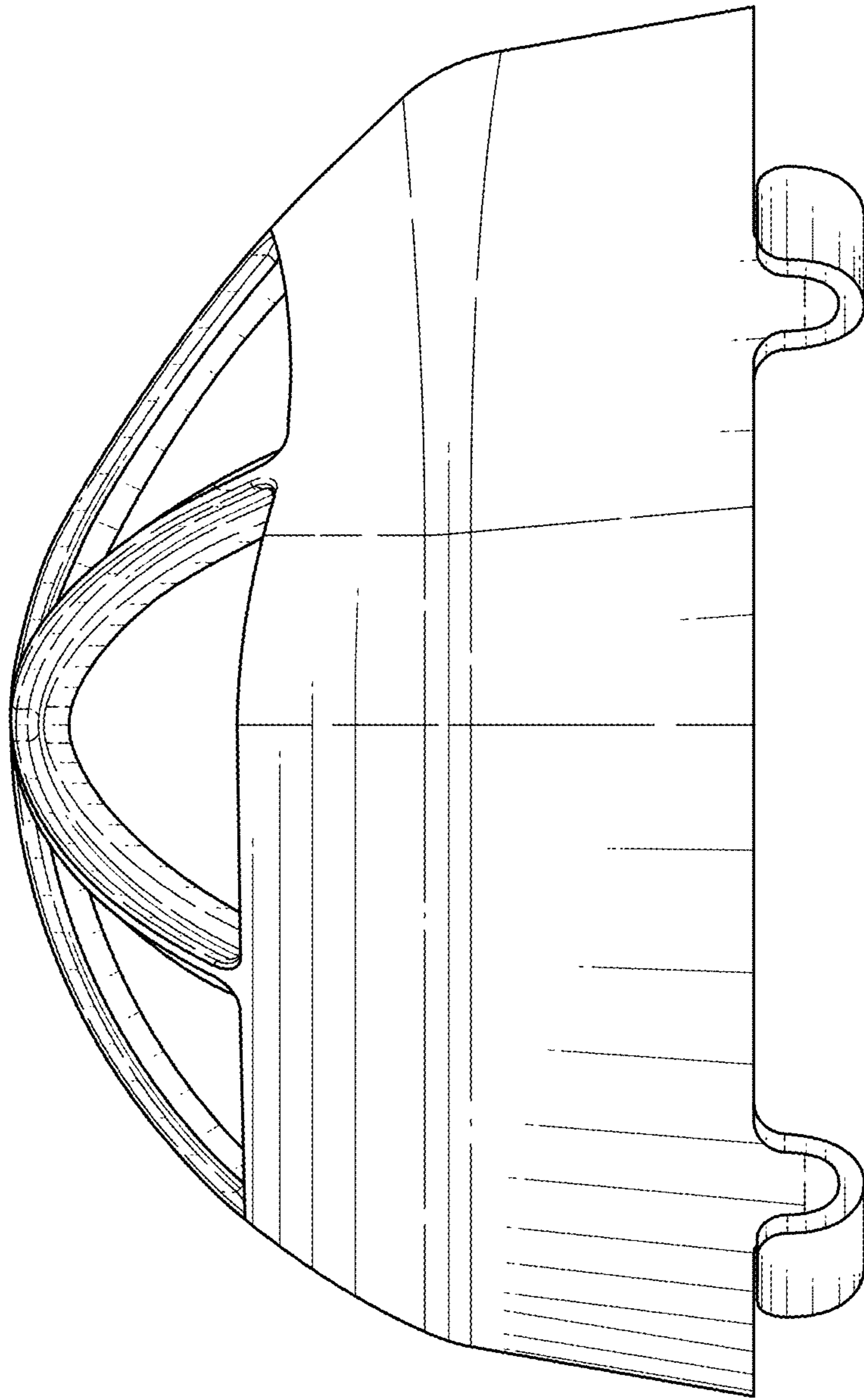


FIG. 4

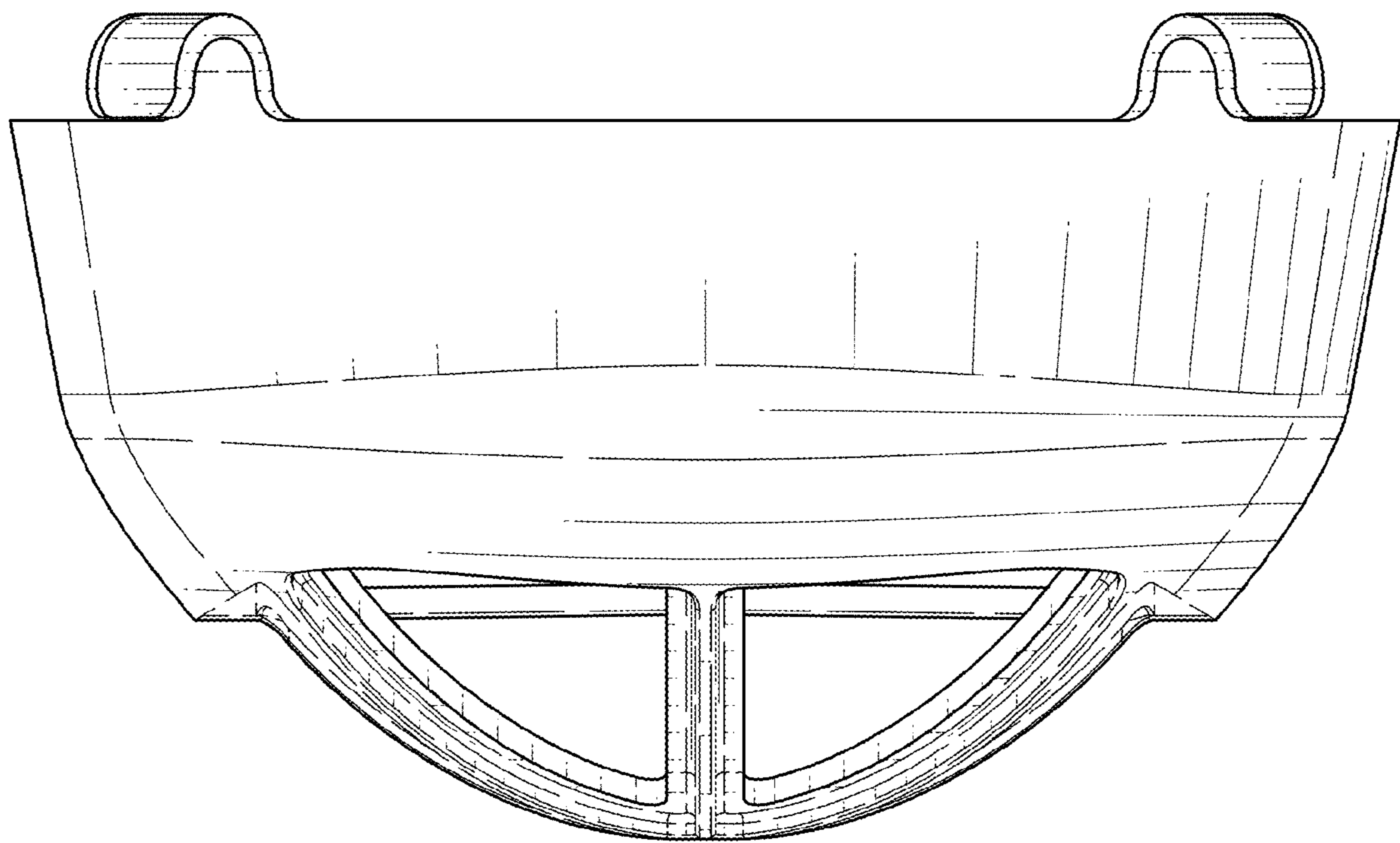


FIG. 5

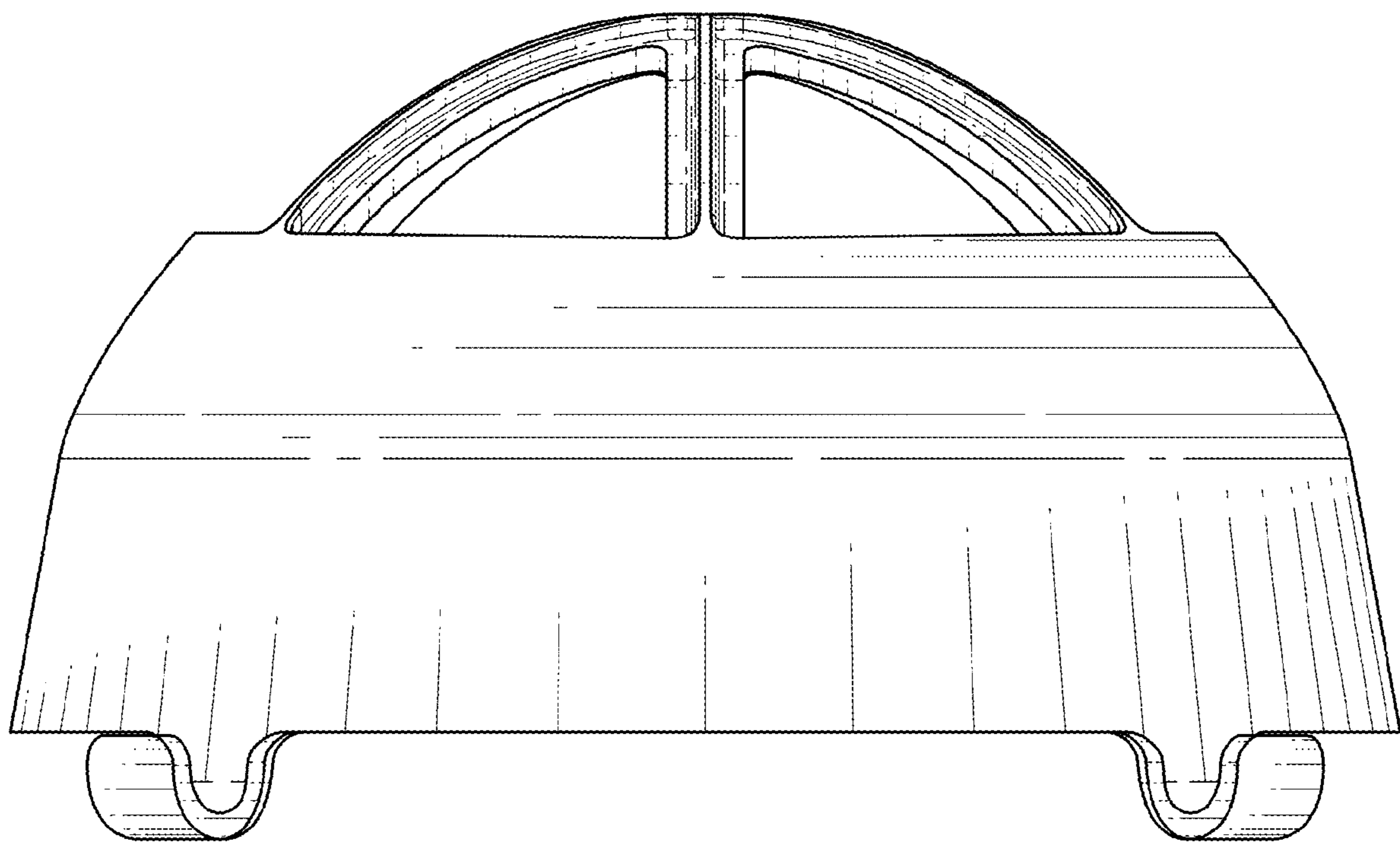


FIG. 6

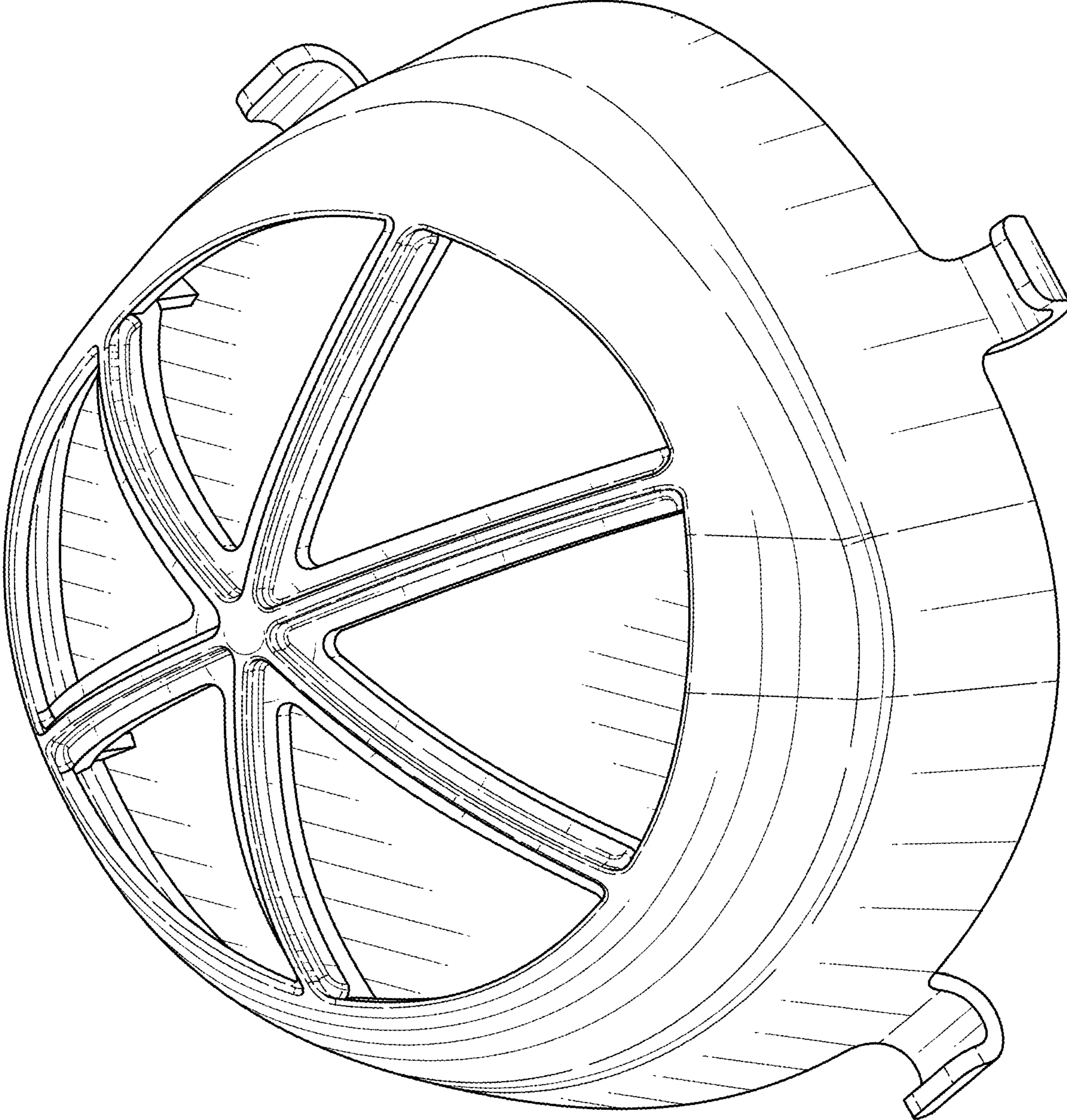


FIG. 7

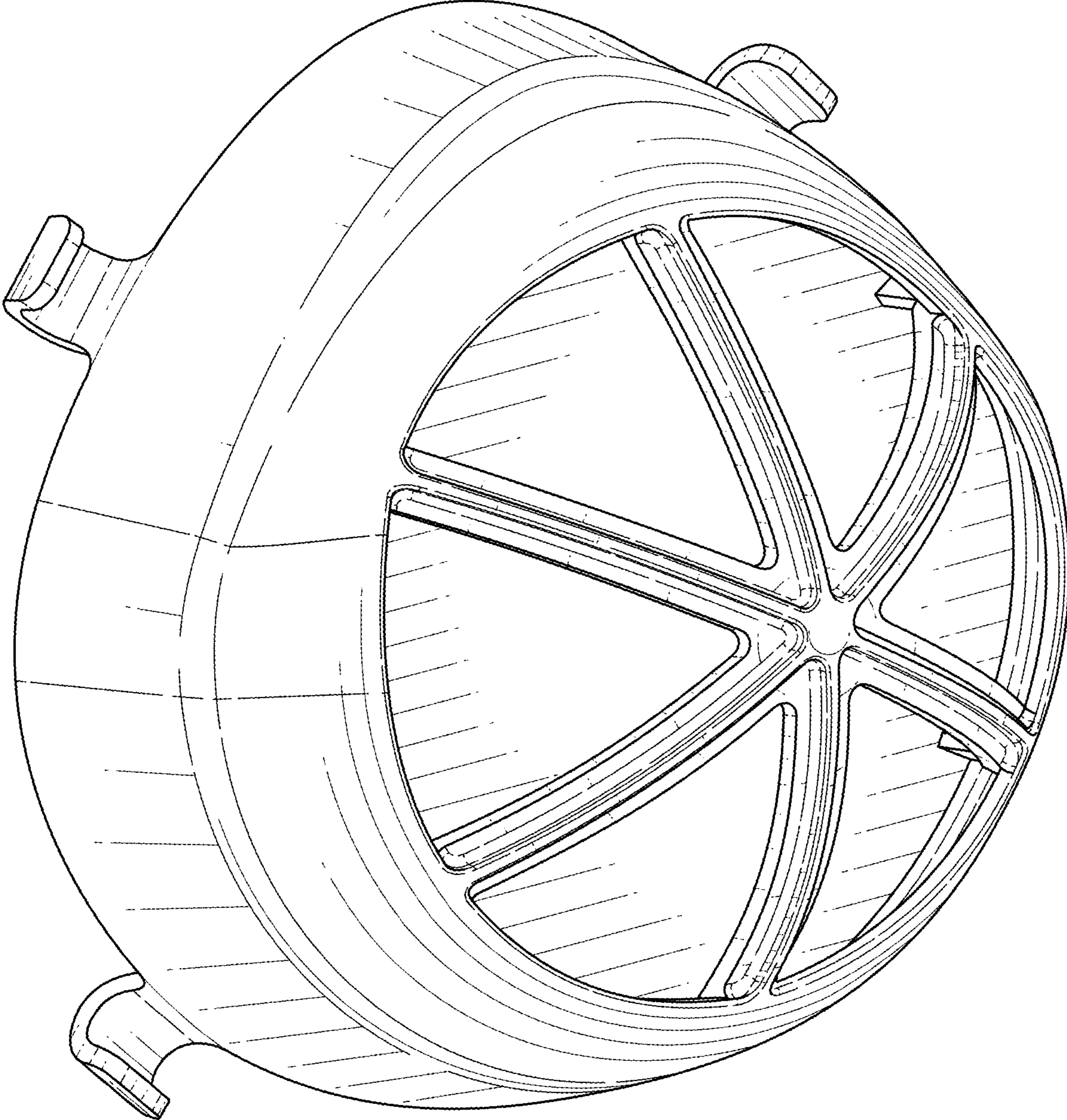


FIG. 8

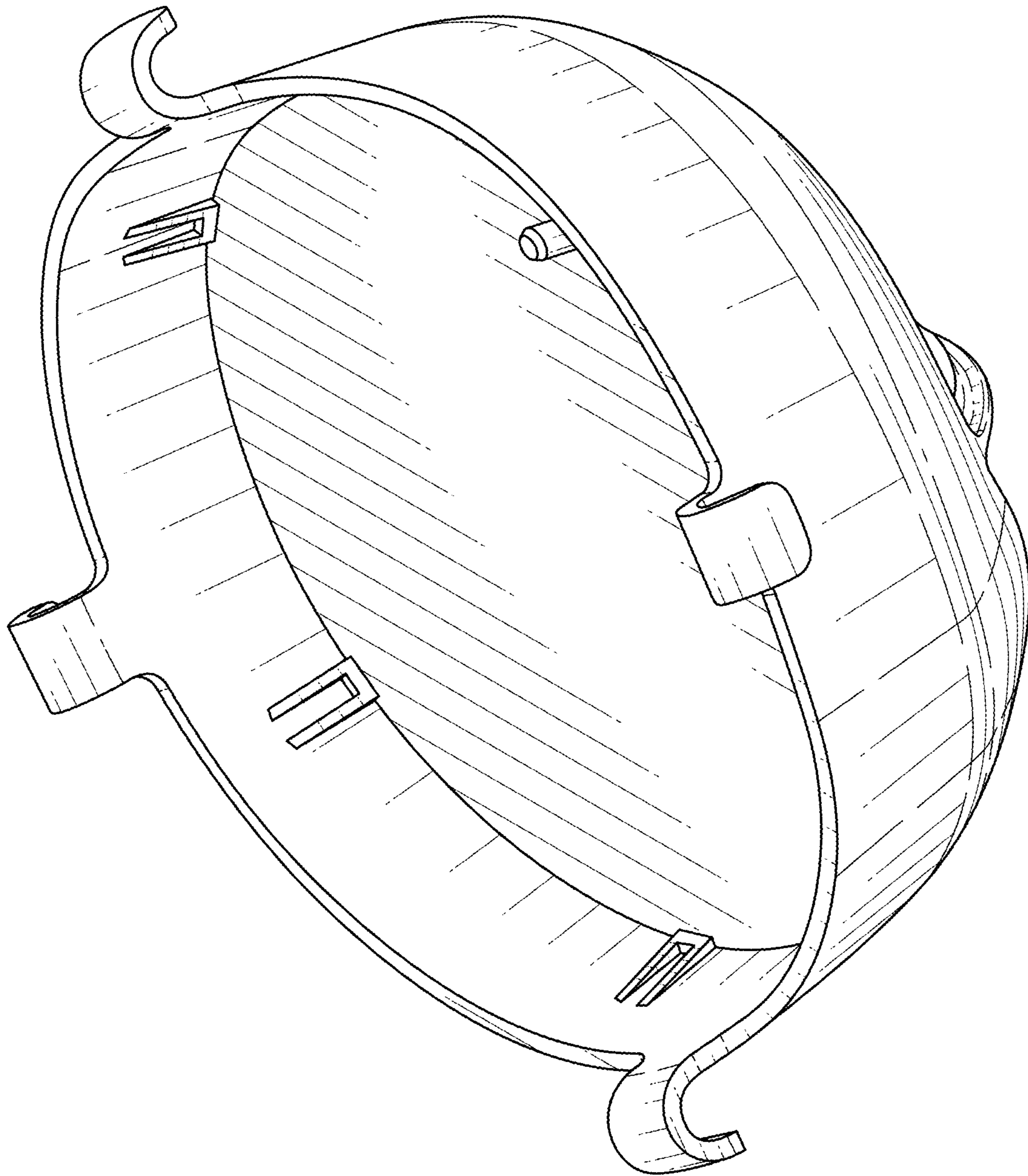


FIG. 9

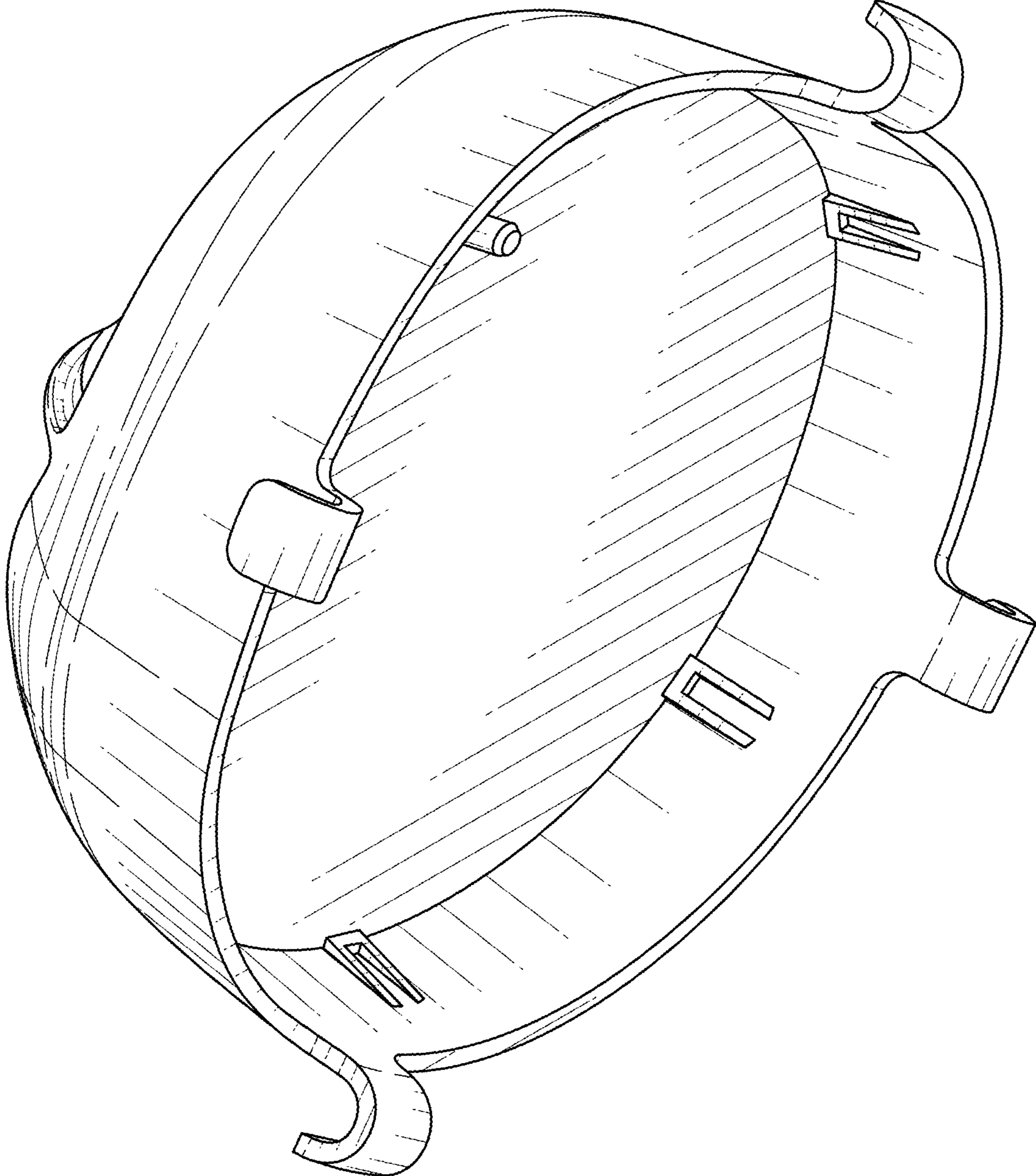


FIG. 10

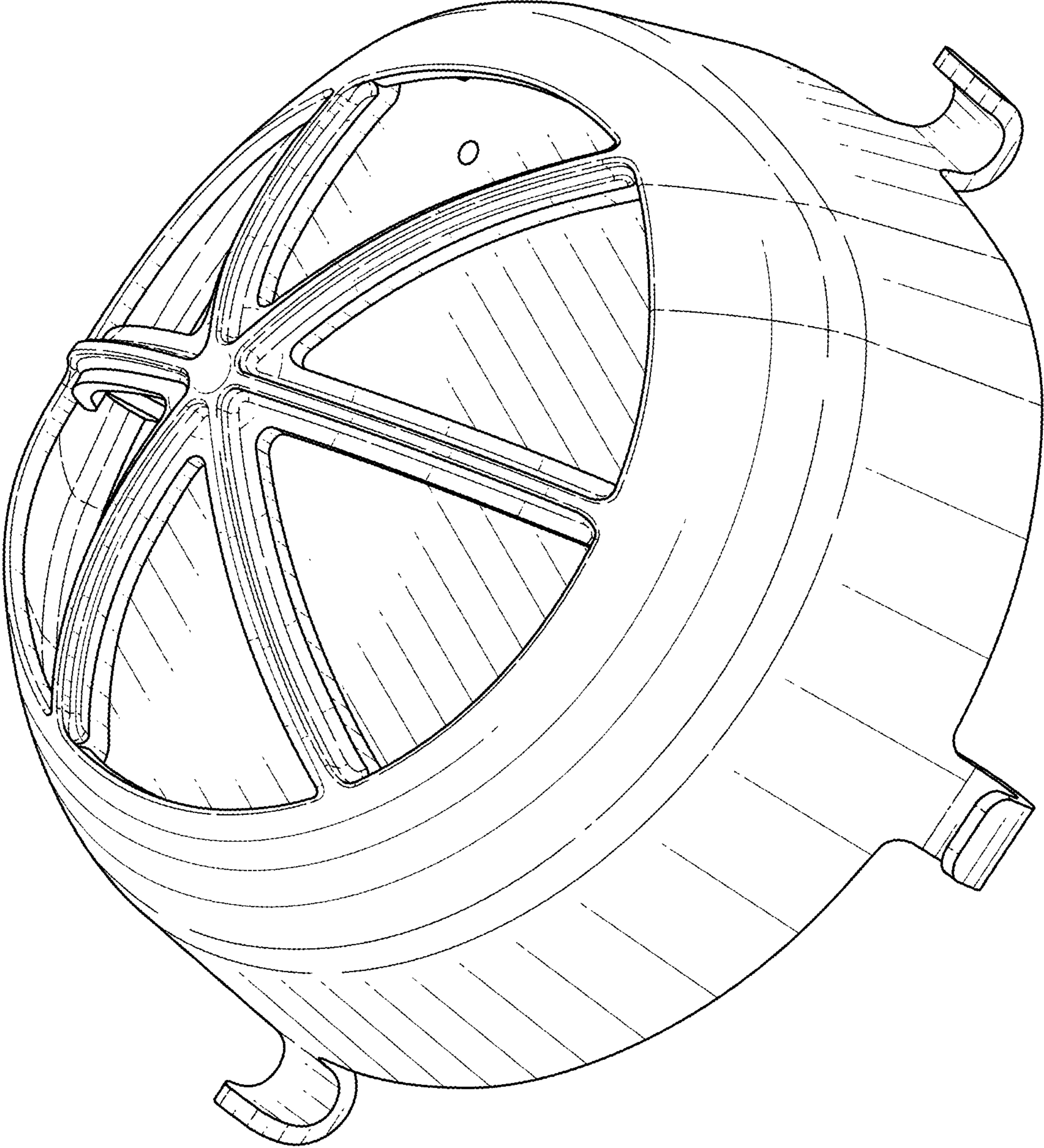


FIG. 11

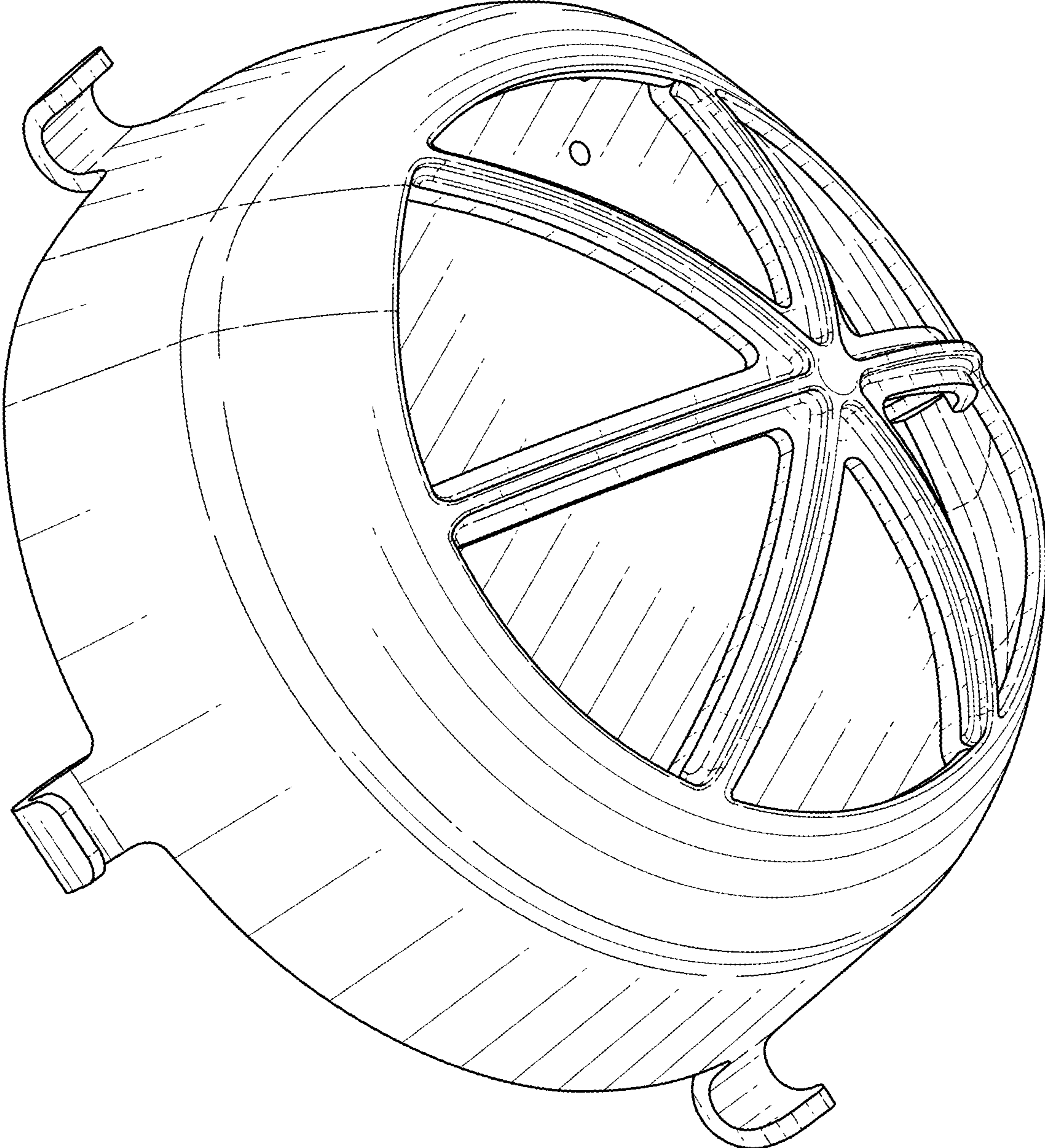


FIG. 12

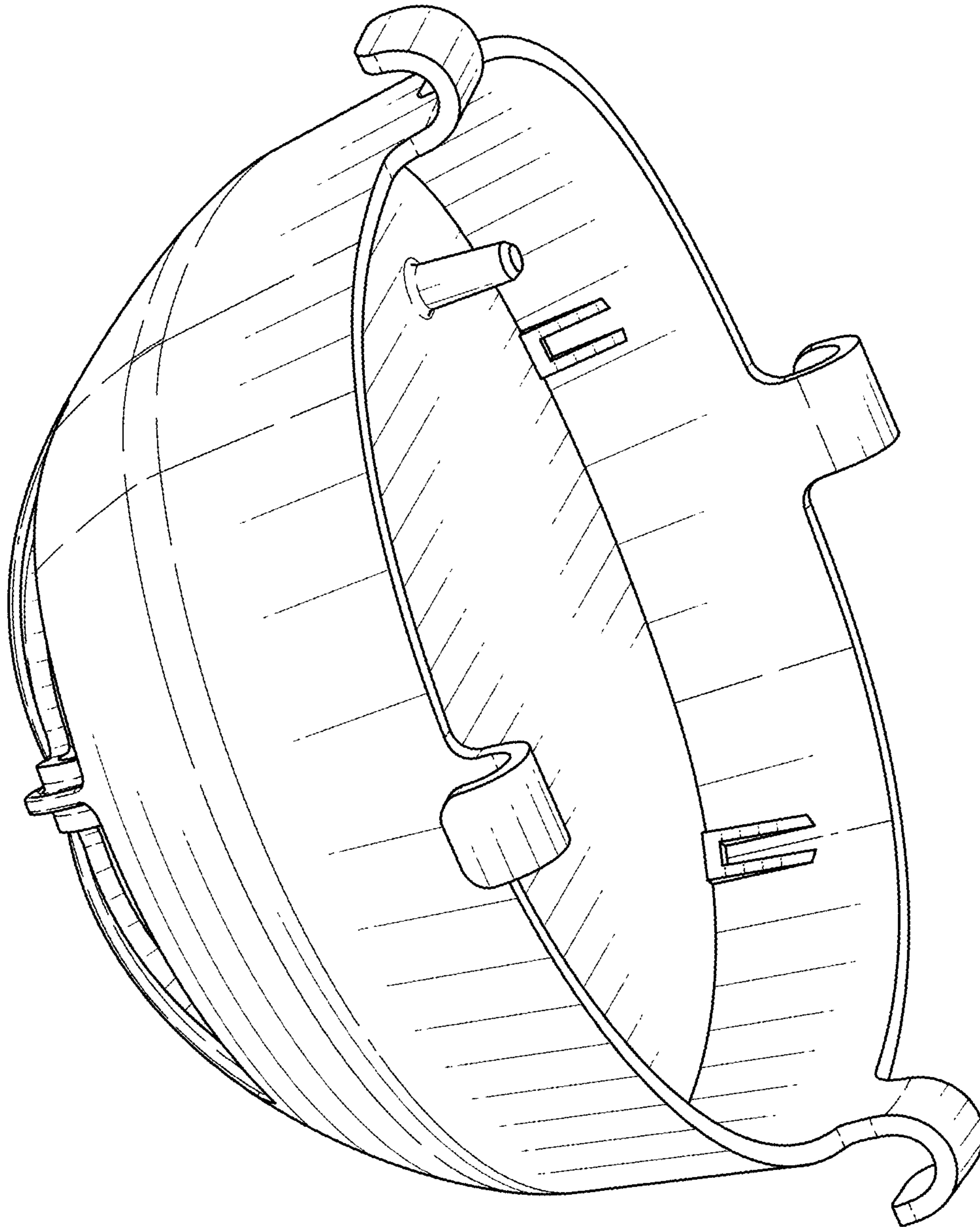


FIG. 13

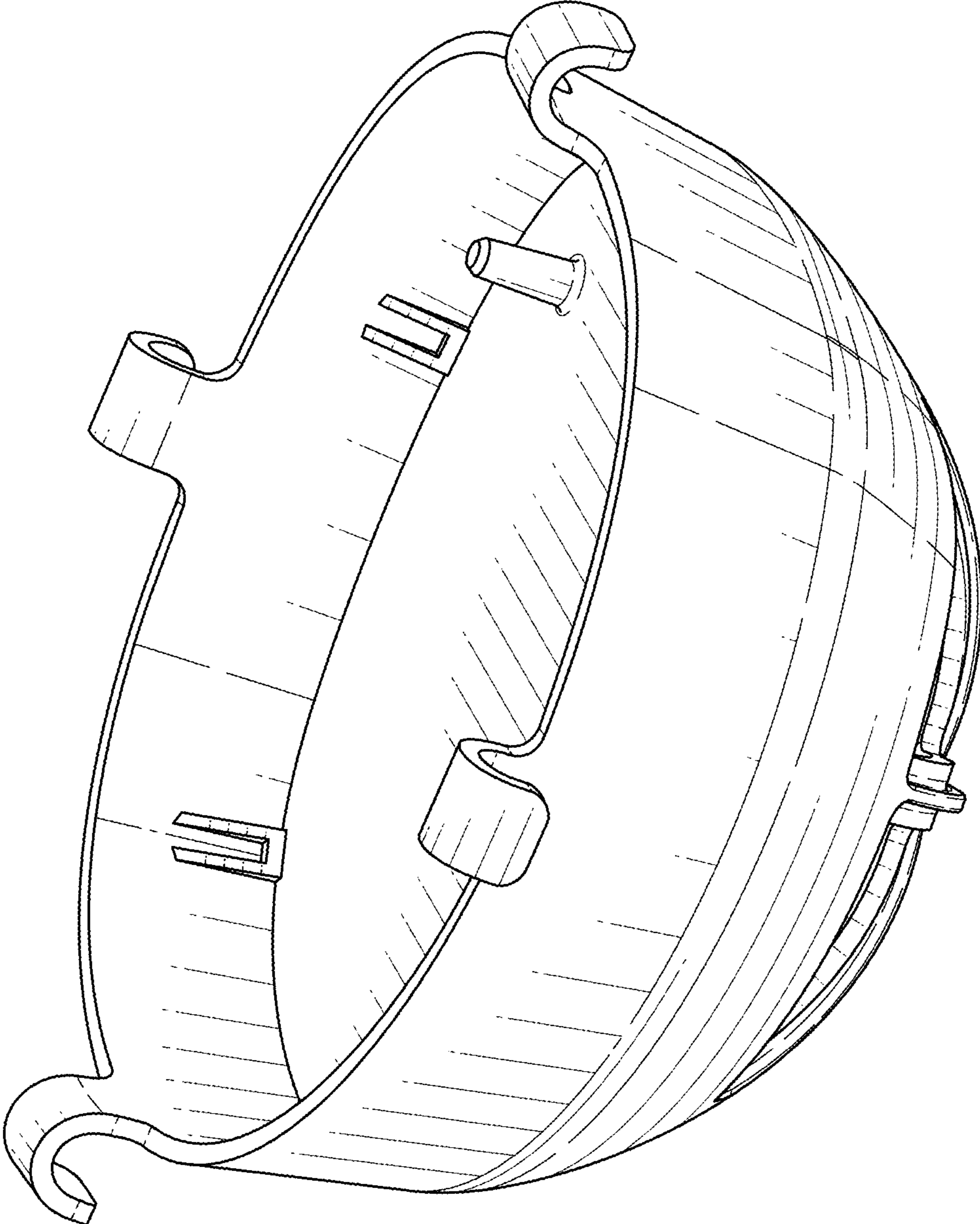


FIG. 14