



US00D928302S

(12) **United States Design Patent**  
**Hanson et al.**

(10) **Patent No.:** **US D928,302 S**

(45) **Date of Patent:** **\*\* Aug. 17, 2021**

(54) **AIR FILTER**

(71) Applicant: **Electrolux Home Products, Inc.**,  
Charlotte, NC (US)

(72) Inventors: **Josh Hanson**, Huntersville, NC (US);  
**Brent Aaron Curtis**, Terrell, NC (US);  
**Eric Hitchcock**, Harrisburg, NC (US);  
**Ramesh Subramanian**, Charlotte, NC  
(US)

(73) Assignee: **Electrolux Home Products, Inc.**,  
Charlotte, NC (US)

(\*\*) Term: **15 Years**

(21) Appl. No.: **29/703,074**

(22) Filed: **Aug. 23, 2019**

(51) **LOC (13) Cl.** ..... **23-04**

(52) **U.S. Cl.**  
USPC ..... **D23/365**; D23/363

(58) **Field of Classification Search**  
USPC ..... D23/209, 314, 325, 333–336, 351,  
D23/355–366, 386–388; D14/203.3, 240,  
D14/356; D13/118  
CPC ..... Y10T 428/1366; B32B 2597/00; B01D  
46/00; B01D 46/0004; B01D 27/04;  
F25D 17/042; A61L 9/01  
See application file for complete search history.

(56) **References Cited**

**U.S. PATENT DOCUMENTS**

D446,849 S *	8/2001	Weinberg	.....	D23/364
D449,099 S *	10/2001	Juhlin	.....	D23/355
6,386,971 B1 *	5/2002	Johnson	.....	A61L 9/12 454/328
D462,349 S *	9/2002	Tanaka	.....	D14/356
D481,385 S *	10/2003	Tanaka	.....	D14/308
D483,756 S *	12/2003	Tanaka	.....	D14/356

D490,403 S *	5/2004	Wu	.....	D14/240
D517,558 S *	3/2006	Peh	.....	D14/436
D522,640 S *	6/2006	Miro	.....	D23/366
7,194,086 B2 *	3/2007	Pletikosa	.....	G06F 1/1626 361/679.3
D579,929 S *	11/2008	Bodley	.....	D14/240
D590,827 S *	4/2009	Song	.....	D14/356
D596,281 S *	7/2009	Schwartz	.....	D23/366
D646,769 S *	10/2011	Angel	.....	D23/366
D713,948 S *	9/2014	Westphal	.....	A61L 9/12 D23/366
10,603,630 B2 *	3/2020	Rodriguez	.....	A61L 9/16
D881,132 S *	4/2020	Bagley	.....	D13/146
D890,901 S *	7/2020	Young	.....	D23/364
D892,049 S *	8/2020	Hoshida	.....	D13/118
D892,263 S *	8/2020	Mattox	.....	D23/206

\* cited by examiner

*Primary Examiner* — John A Voytek

(74) *Attorney, Agent, or Firm* — Banner & Witcoff, Ltd.

(57) **CLAIM**

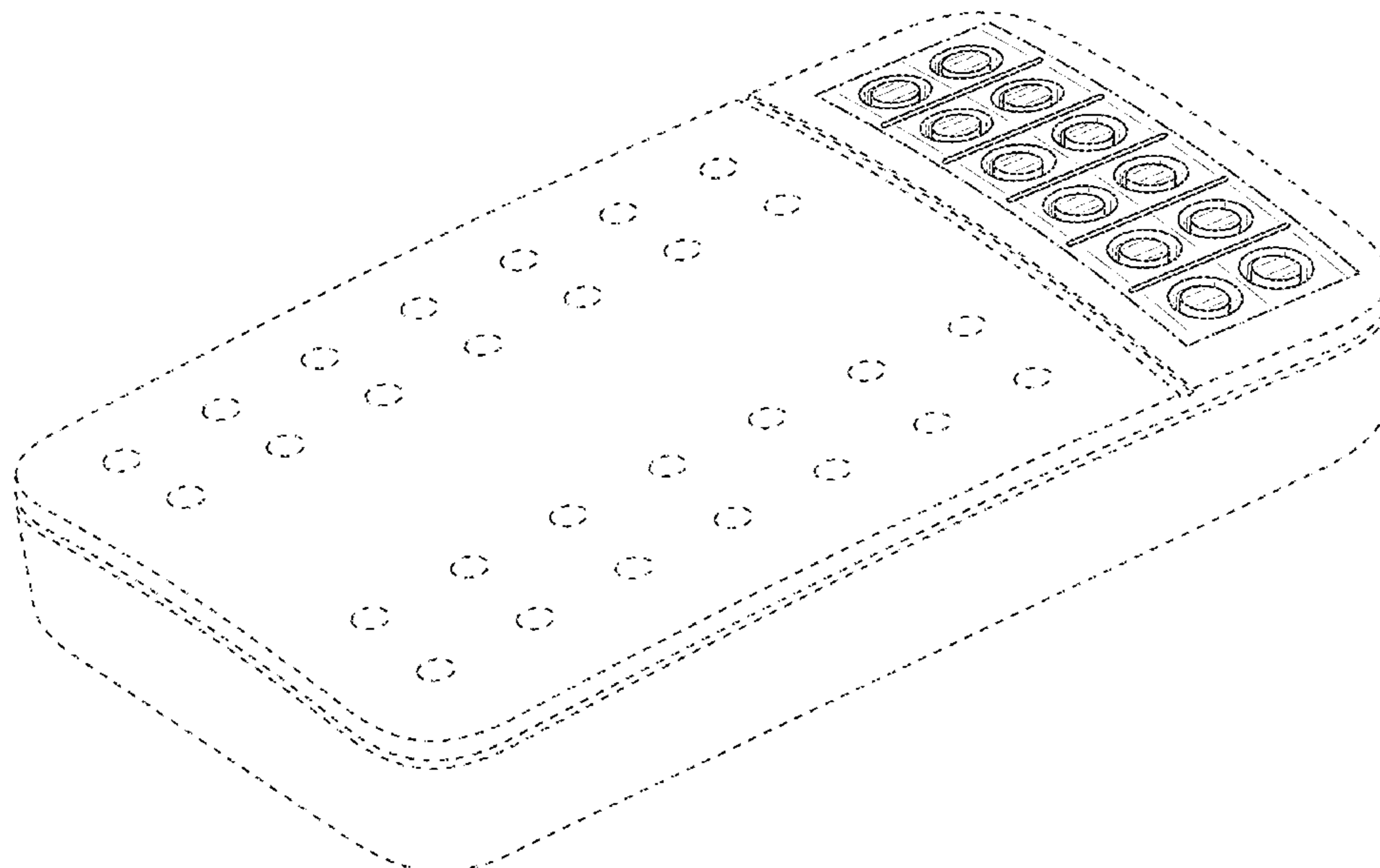
The ornamental design for an air filter, as shown and described.

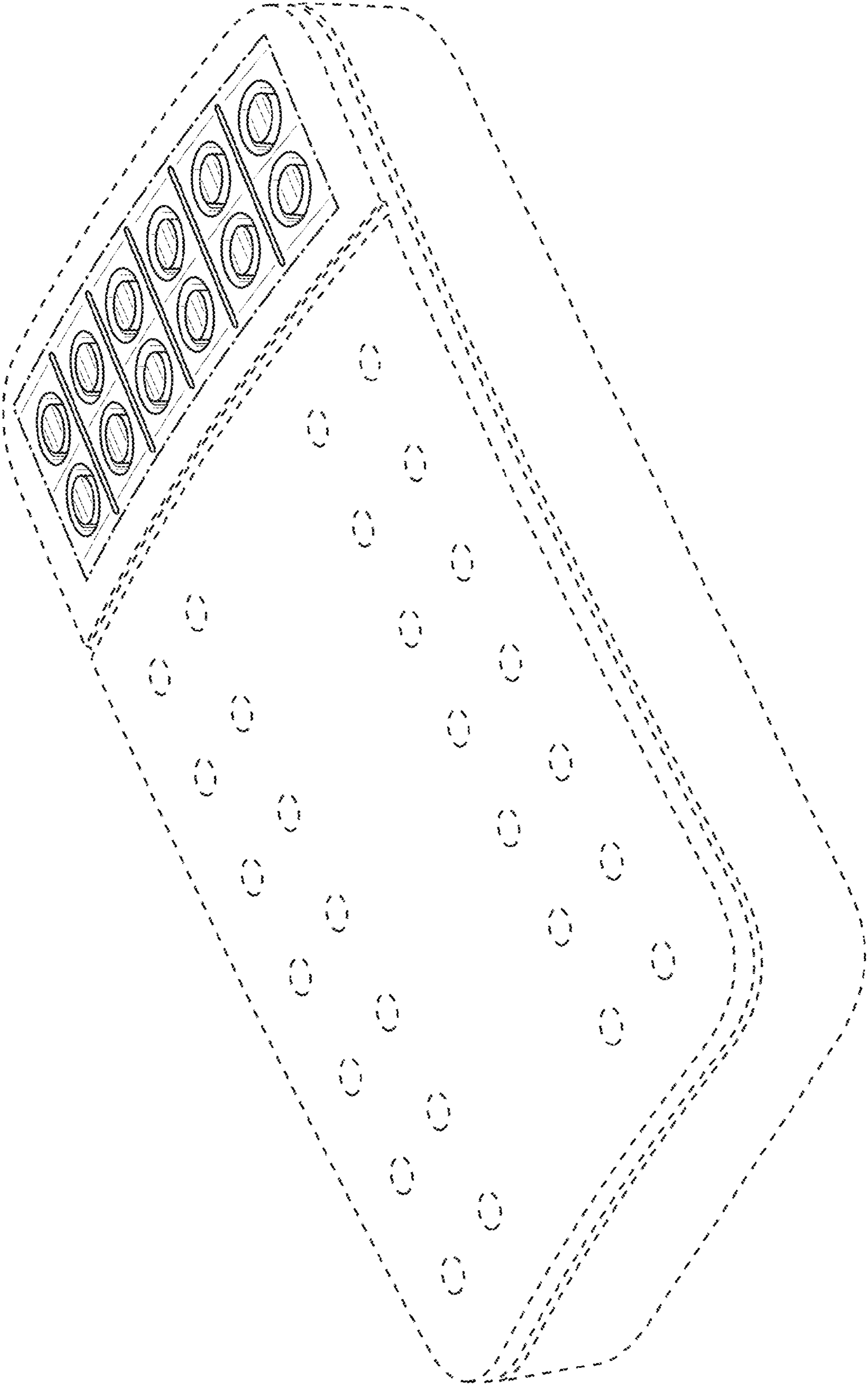
**DESCRIPTION**

FIG. 1 is a front perspective view of an air filter showing our new design;  
FIG. 2 is a front view thereof;  
FIG. 3 is a right side view thereof;  
FIG. 4 is a left side view thereof;  
FIG. 5 is a top view thereof;  
FIG. 6 is a bottom view thereof; and,  
FIG. 7 is a rear view thereof.

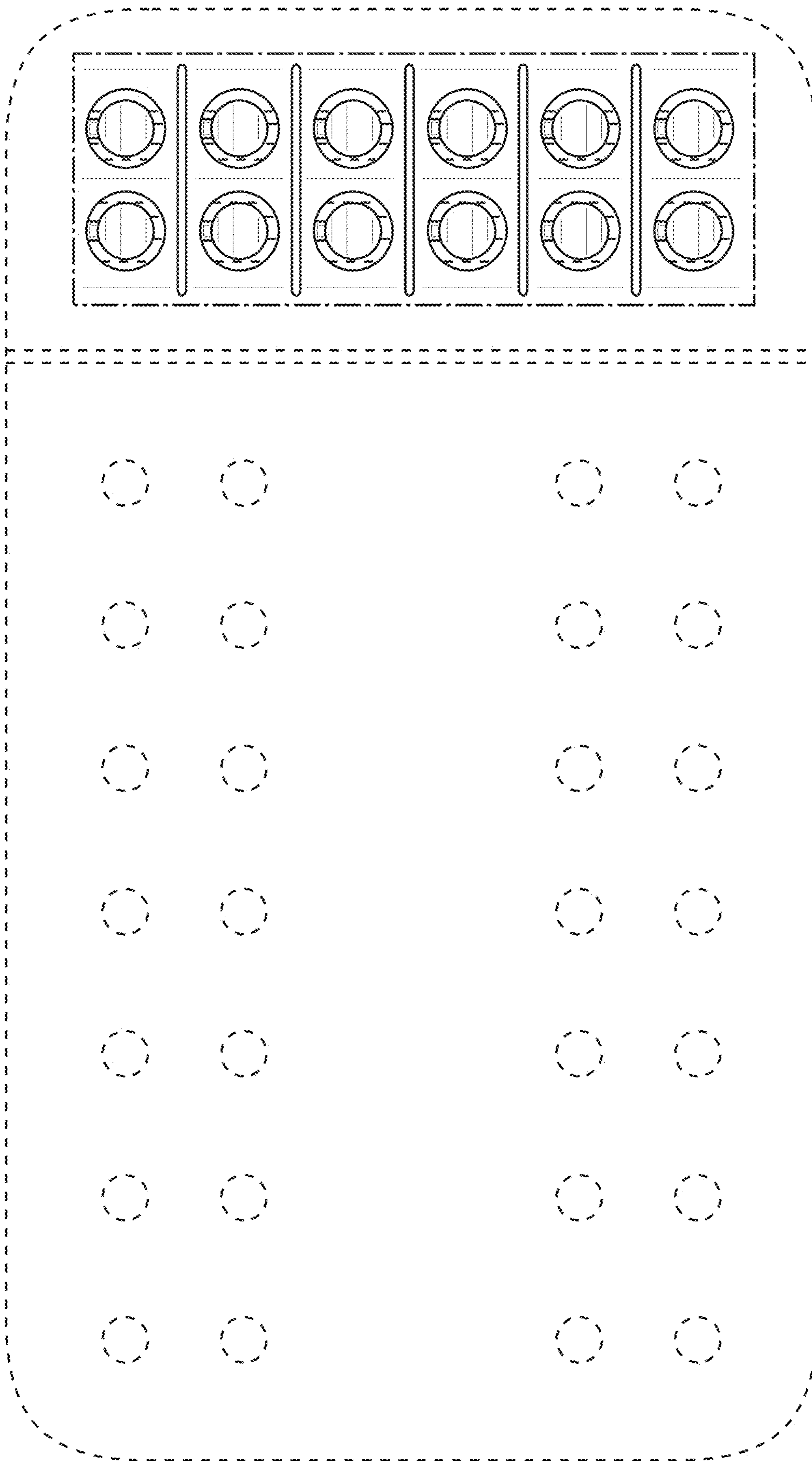
The uneven-length broken lines immediately adjacent to the shaded area define the bounds of the claimed design and form no part thereof. The broken lines depicting the remainder of the air filter represent features which form no part of the claimed design.

**1 Claim, 7 Drawing Sheets**

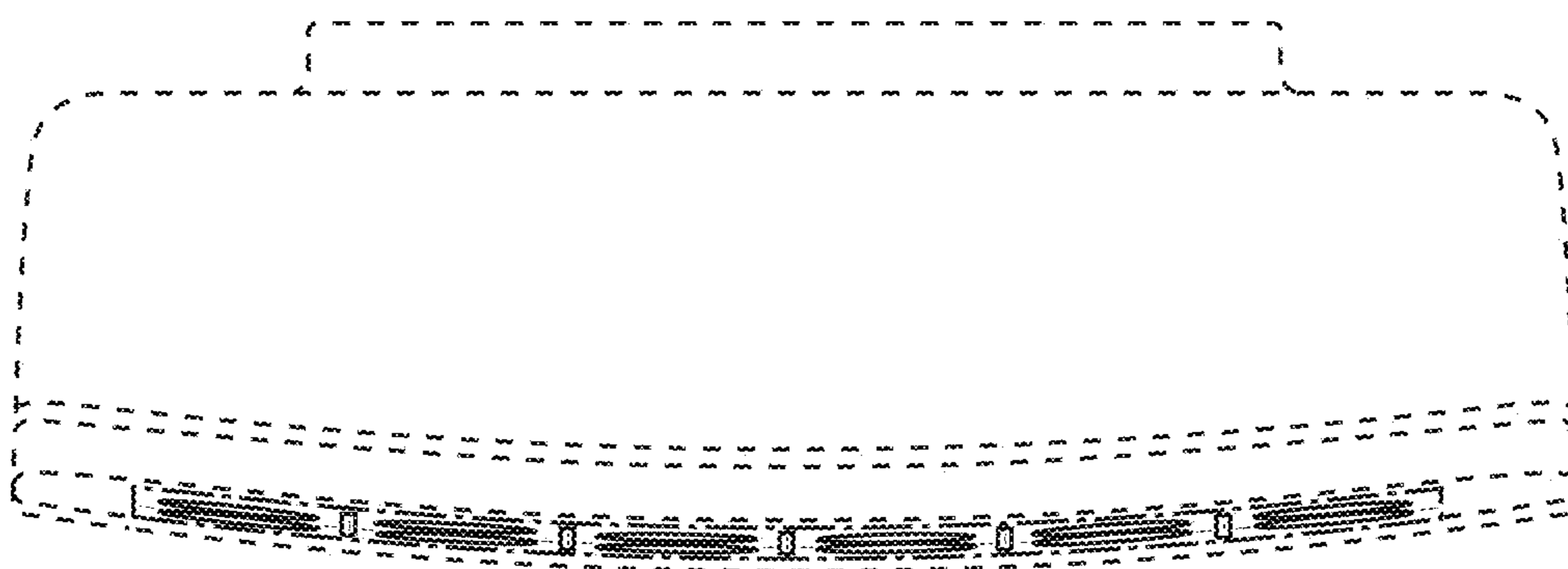




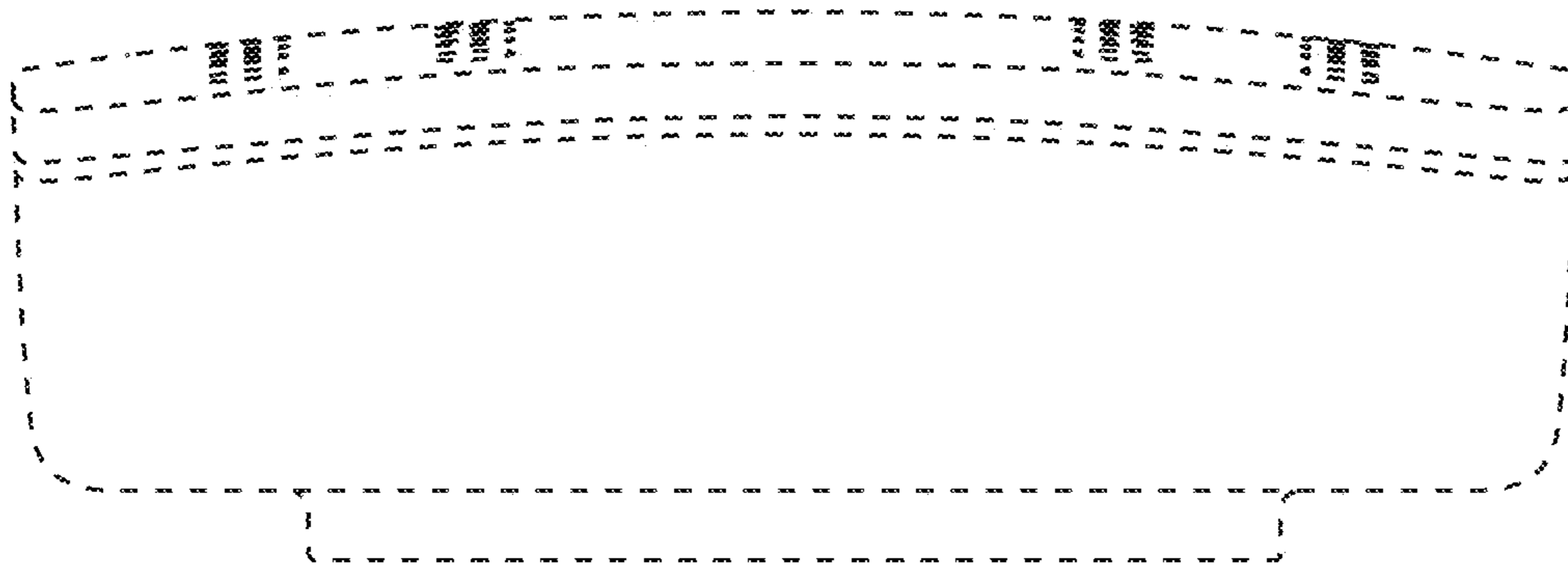
**FIG. 1**



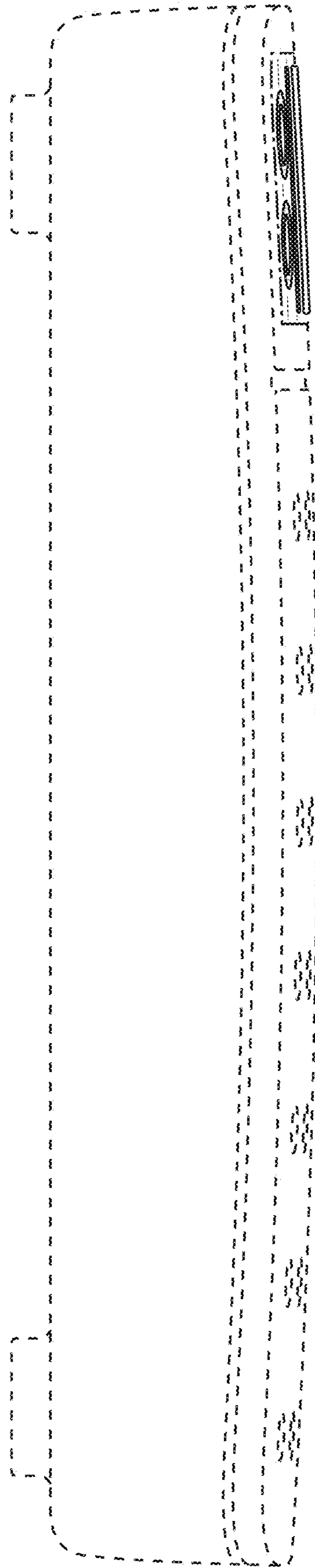
**FIG. 2**



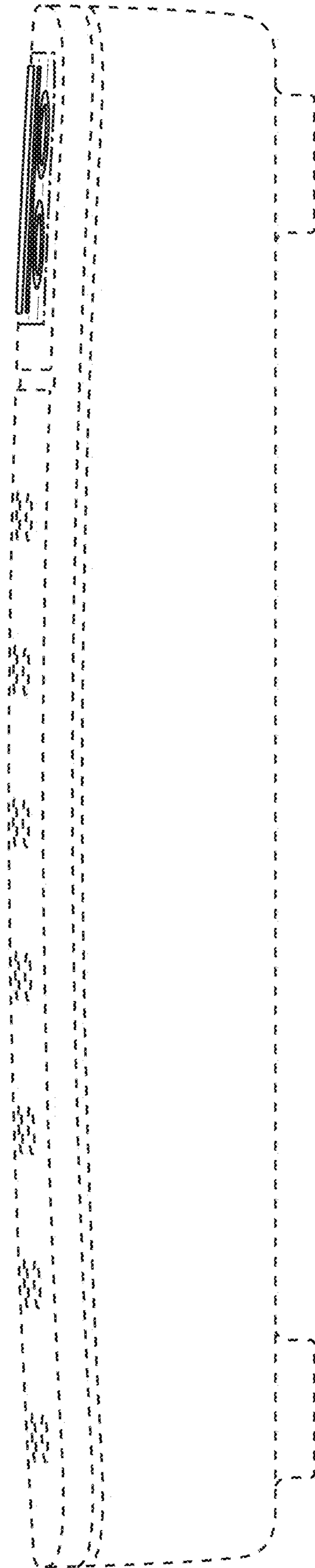
**FIG. 3**



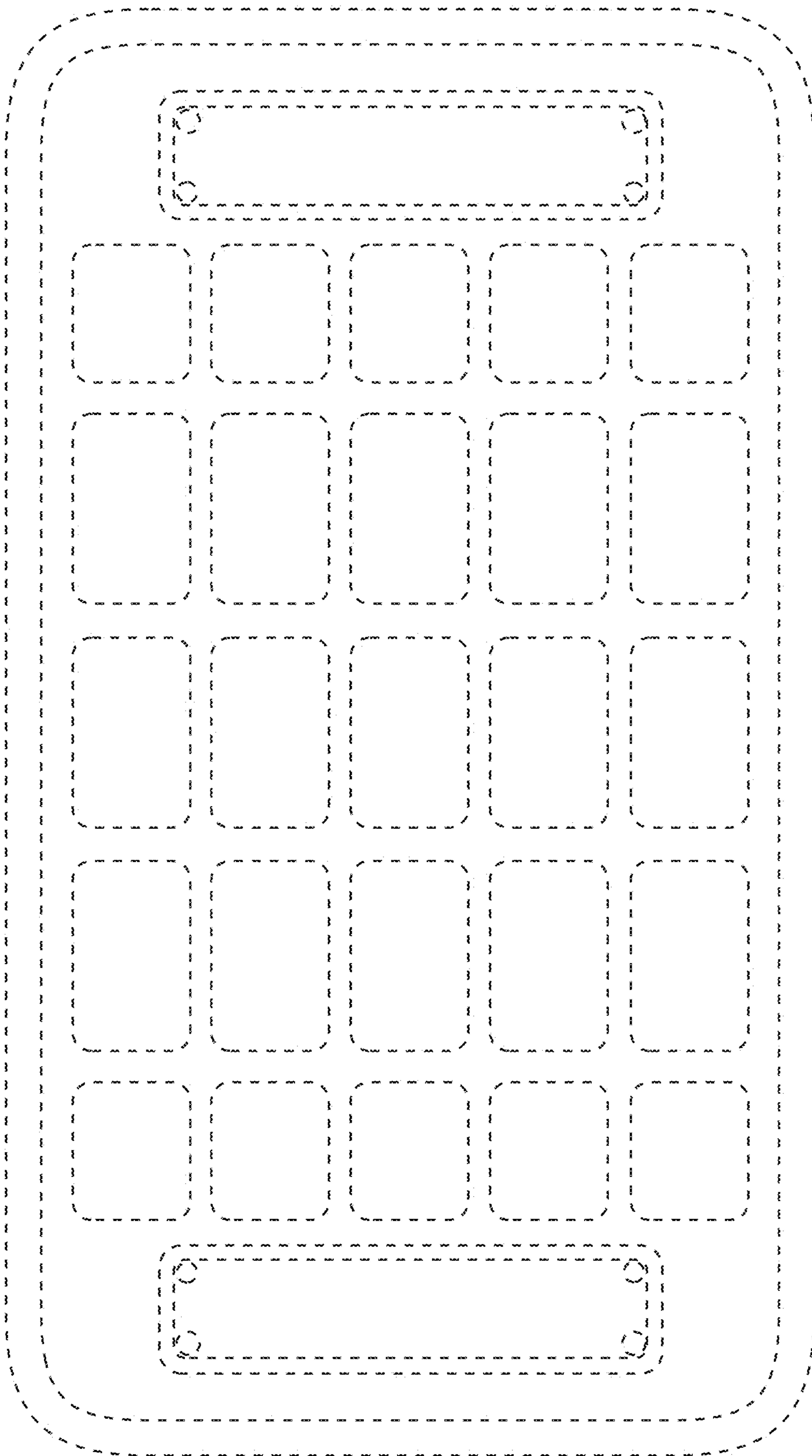
**FIG. 4**



**FIG. 5**



**FIG. 6**



**FIG. 7**