



US00D928297S

(12) **United States Design Patent**
Morgan, Sr.

(10) **Patent No.:** **US D928,297 S**

(45) **Date of Patent:** **** Aug. 17, 2021**

(54) **WATER HEATER STAND**
(71) Applicant: **Wade D. Morgan, Sr.**, Milwaukee, WI (US)
(72) Inventor: **Wade D. Morgan, Sr.**, Milwaukee, WI (US)

(**) Term: **15 Years**

(21) Appl. No.: **29/723,521**

(22) Filed: **Feb. 7, 2020**

(51) **LOC (13) Cl.** **23-03**

(52) **U.S. Cl.**
USPC **D23/322**

(58) **Field of Classification Search**
USPC D23/314, 318, 322, 323, 329, 341, 347
CPC F24H 9/0005; F24H 9/001; F24H 9/06
See application file for complete search history.

(56) **References Cited**

U.S. PATENT DOCUMENTS

D31,666 S *	10/1899	Steppe	D7/366
1,779,867 A *	10/1930	Ahrold	B65F 1/141
				248/146
2,084,481 A *	6/1937	Davis	F24H 9/06
				248/146
2,498,950 A *	2/1950	Fowler	F24H 9/1818
				392/459
3,272,466 A *	9/1966	Sherman	B65F 1/141
				248/146
4,555,837 A *	12/1985	Daugirda	F24H 9/06
				29/432.1
D286,255 S *	10/1986	Gage	D7/332
4,765,360 A *	8/1988	Baird	F24H 9/165
				137/312
D302,204 S *	7/1989	Gatton	D23/348
5,199,676 A *	4/1993	Kowalewski	F24H 9/06
				248/146
5,368,263 A *	11/1994	Harrison	F24H 9/06
				248/146

5,645,103 A *	7/1997	Whittaker	F24H 9/06
				137/312
5,791,264 A *	8/1998	McCraney	F24H 9/06
5,996,949 A *	12/1999	McCraney	248/158
6,216,990 B1 *	4/2001	Harrison	F24H 9/06
				248/146
D582,023 S *	12/2008	Sheppard	D23/322
7,764,870 B1 *	7/2010	Griffith	F24H 9/06
				392/399
8,100,140 B1 *	1/2012	Cantolino	F24H 9/06
				137/312

(Continued)

Primary Examiner — Ania Aman

(74) *Attorney, Agent, or Firm* — Boyle Fredrickson S.C.

(57) **CLAIM**

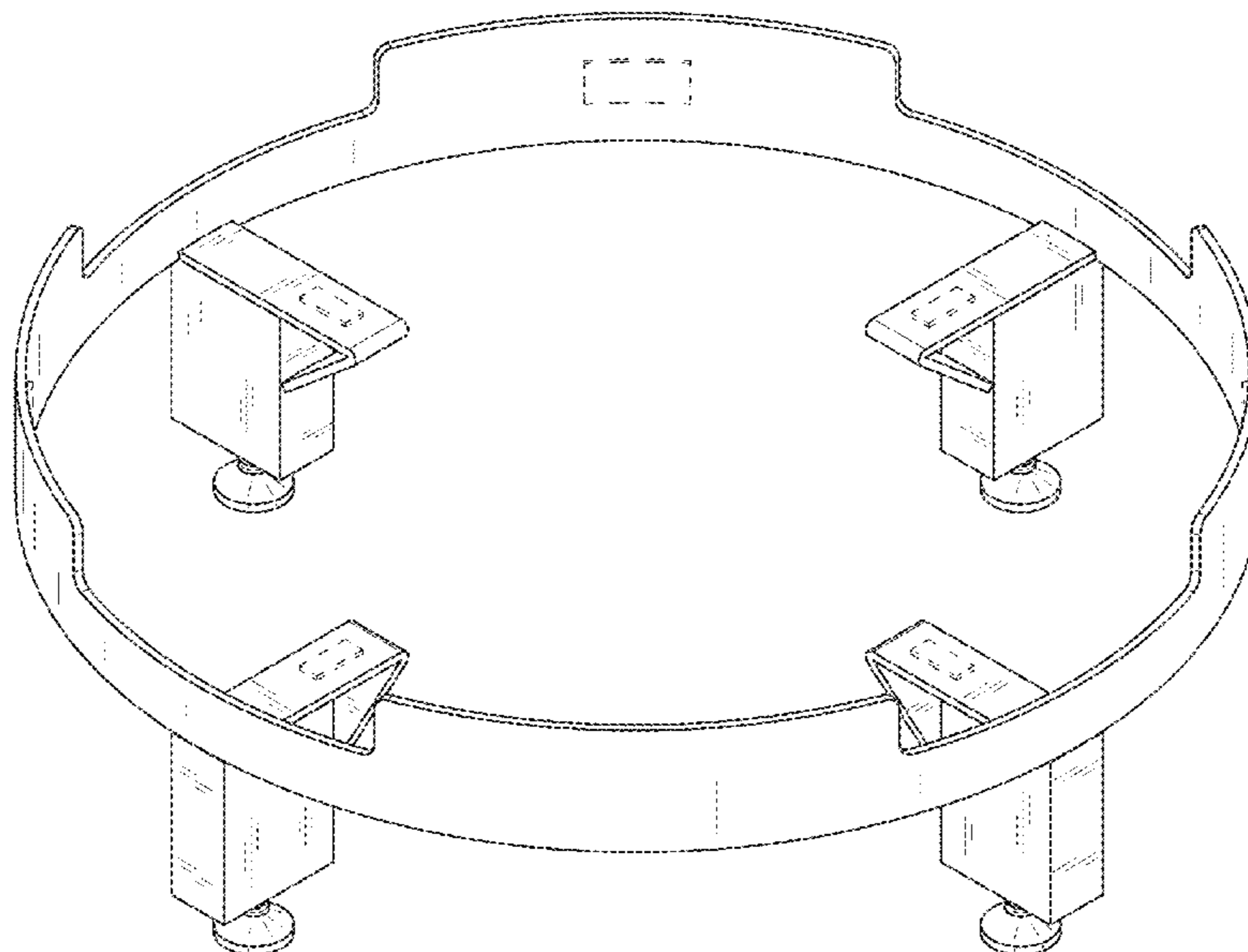
The ornamental design for a water heater stand, substantially as shown and described.

DESCRIPTION

FIG. 1 is a top perspective view of a water heater stand according to the present invention;
 FIG. 2 is a front side elevation view of the water heater stand of FIG. 1;
 FIG. 3 is a rear side elevation view of the water heater stand of FIG. 1;
 FIG. 4 is a left side elevation view of the water heater stand of FIG. 1;
 FIG. 5 is a right side elevation view of the water heater stand of FIG. 1;
 FIG. 6 is a top plan view of the water heater stand of FIG. 1; and,
 FIG. 7 is a bottom plan view of the water heater stand of FIG. 1.

The broken lines are for illustrative purposes and represent environmental structure and unclaimed portions of the invention and therefore form no part of the claimed design.

1 Claim, 7 Drawing Sheets



(56)

References Cited

U.S. PATENT DOCUMENTS

D677,369 S * 3/2013 Tindall D23/322
9,970,680 B1 5/2018 Babayan
2010/0269738 A1 10/2010 Collins
2018/0055226 A1 3/2018 Prince et al.
2021/0131703 A1* 5/2021 Humber F24D 19/088

* cited by examiner

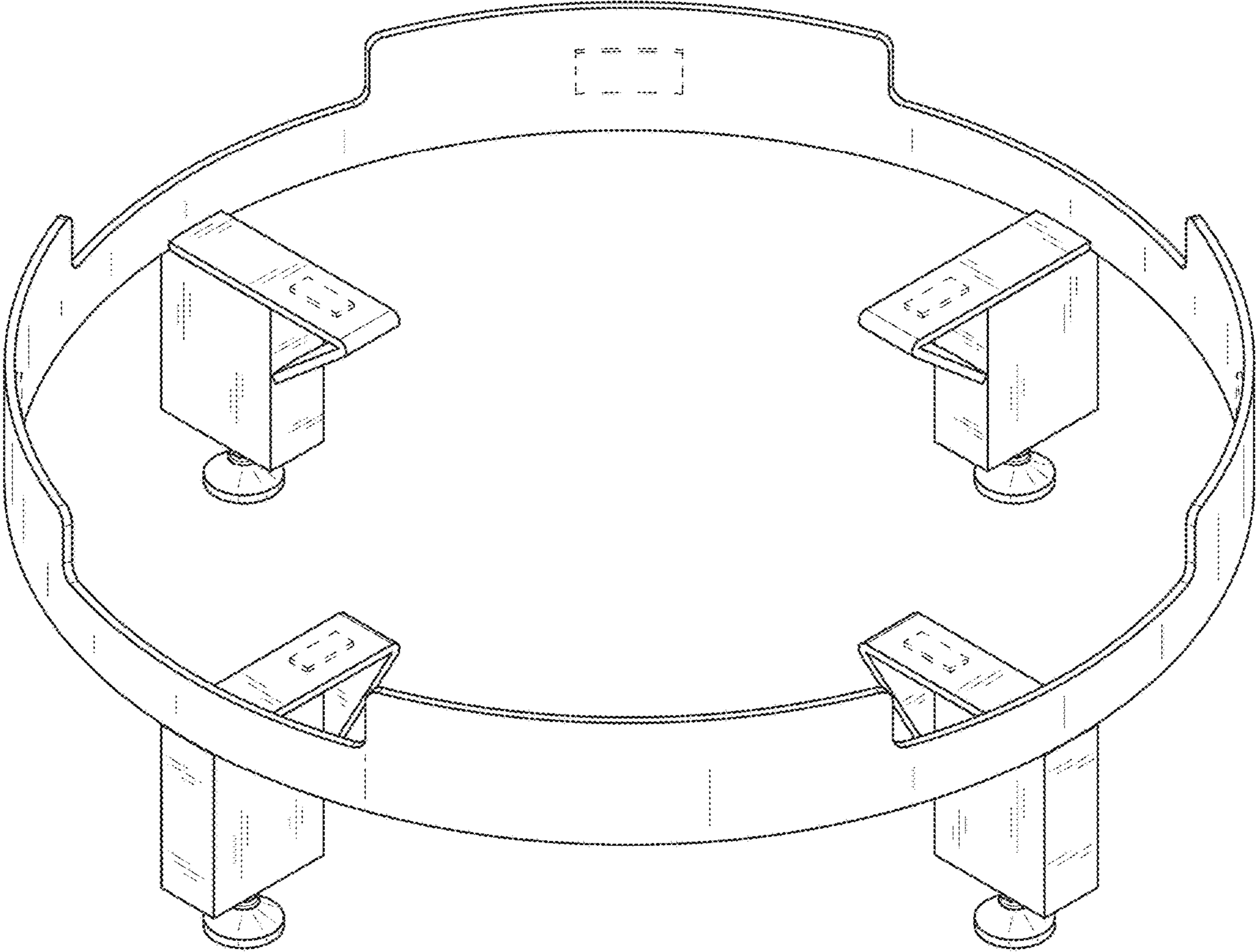


FIG. 1

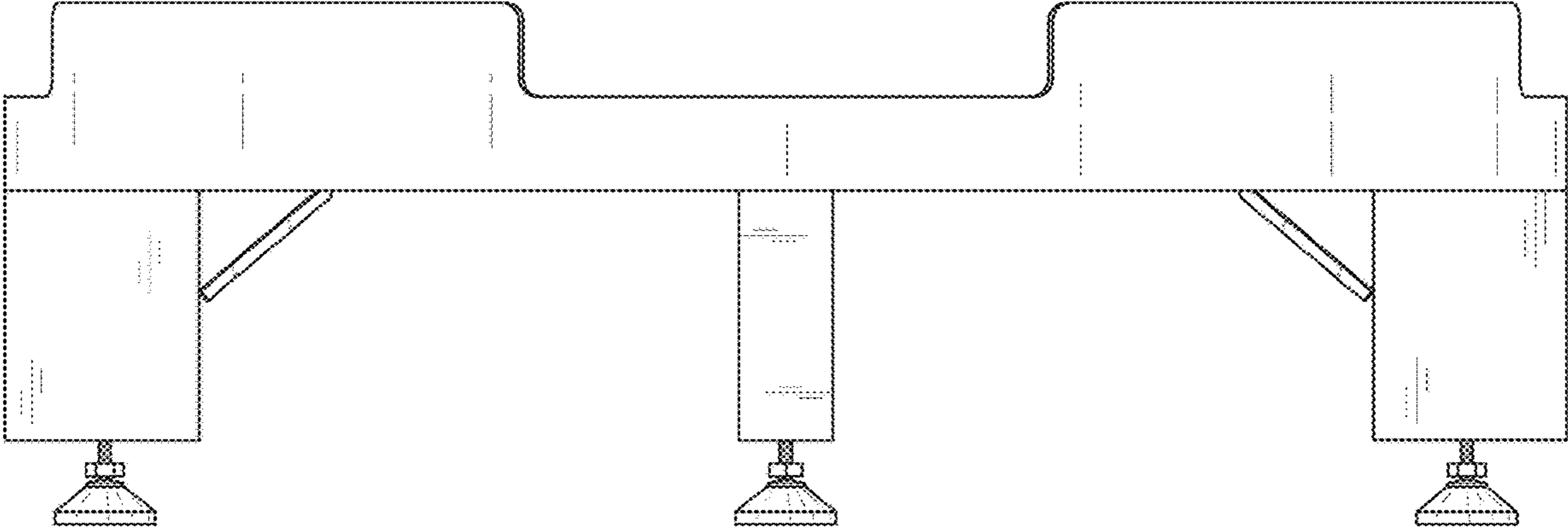


FIG. 2

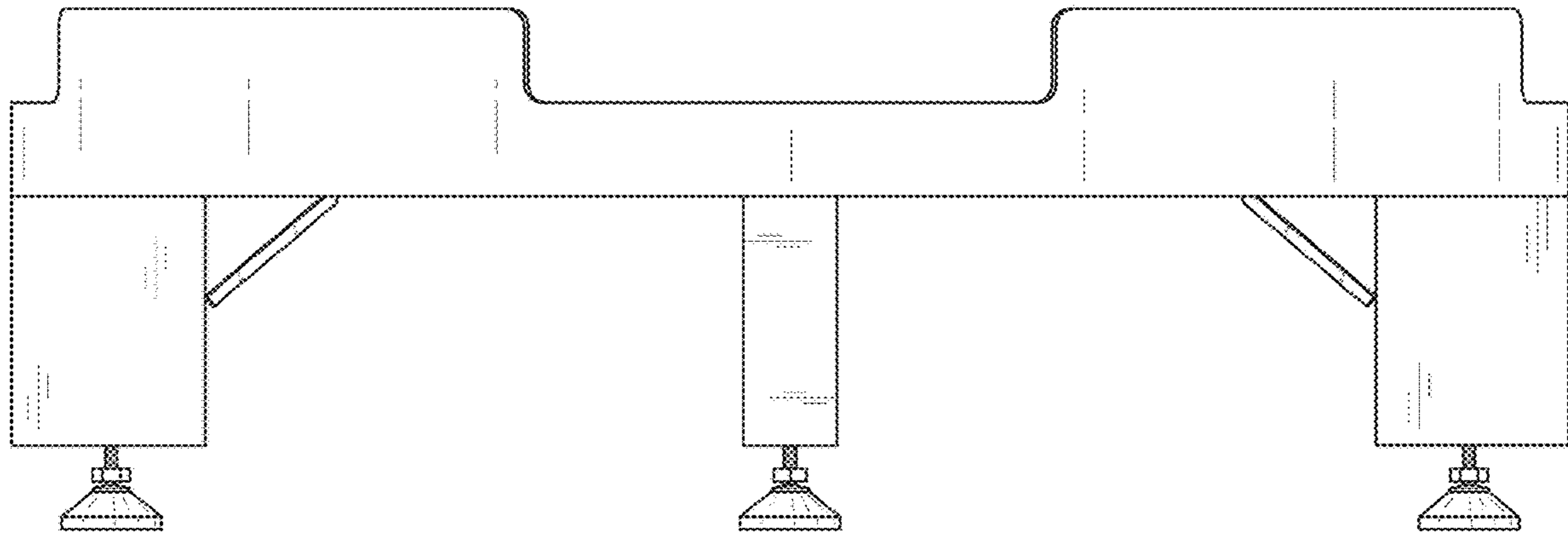


FIG. 3

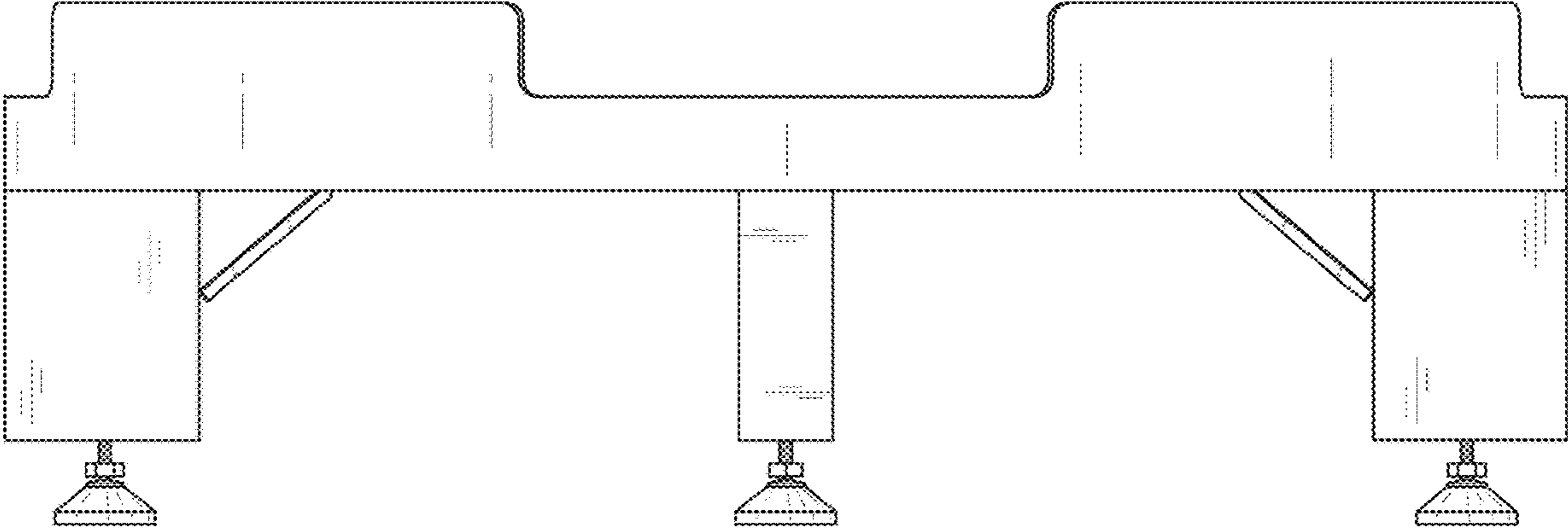


FIG. 4

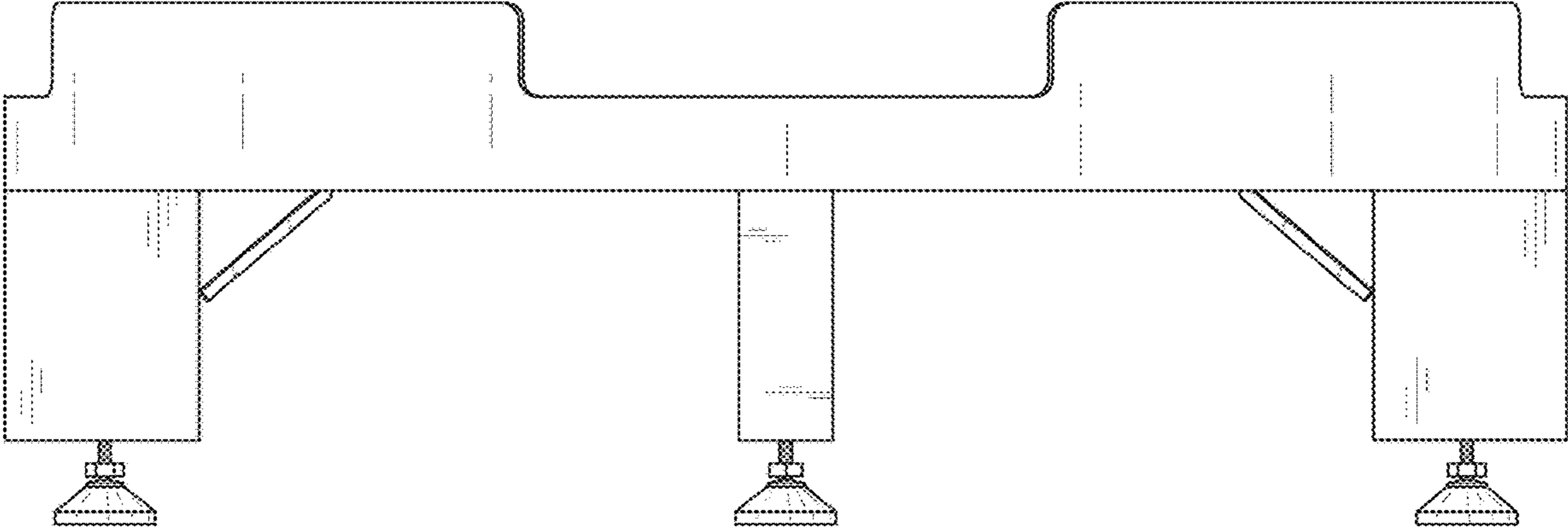


FIG. 5

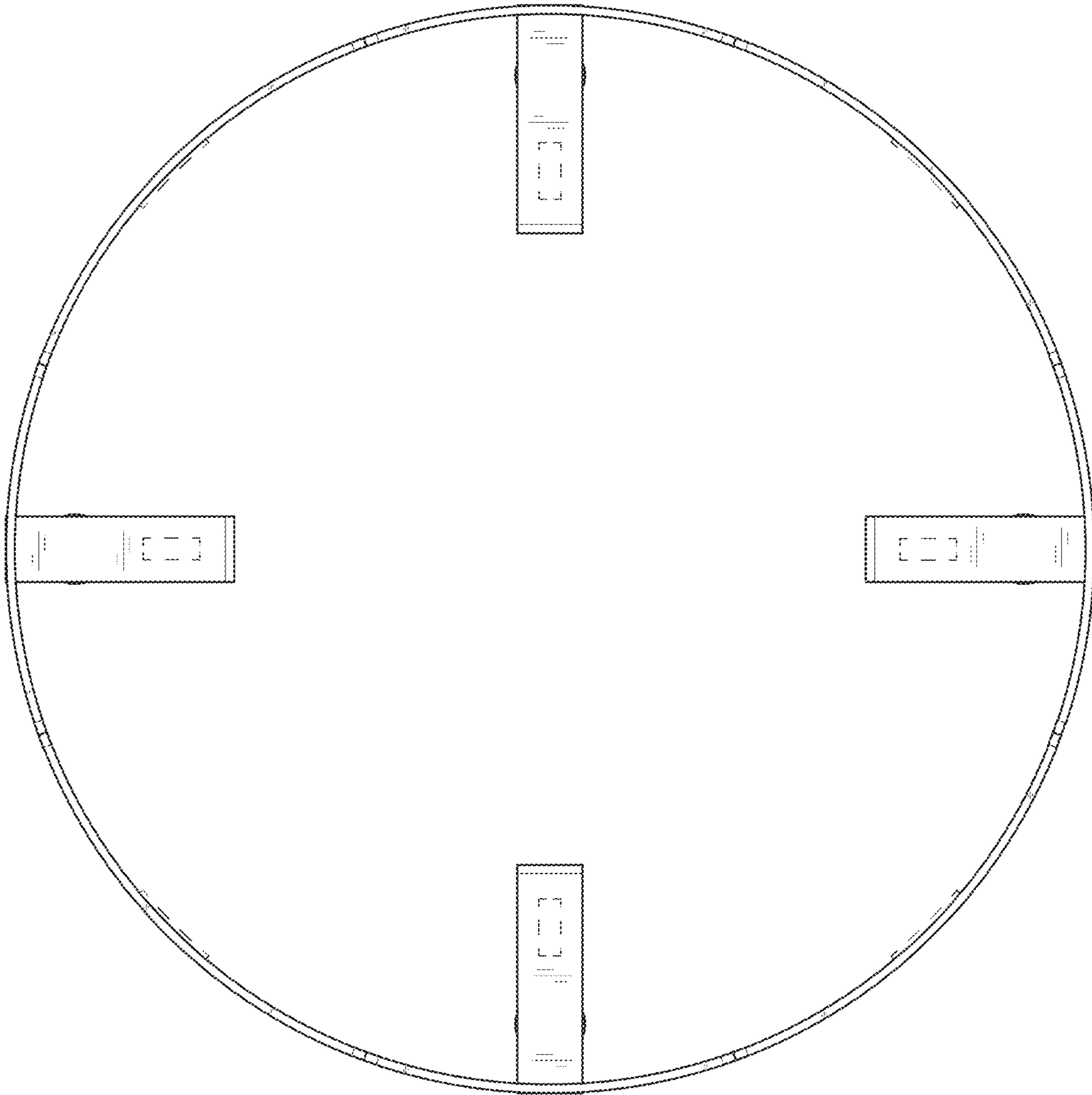


FIG. 6

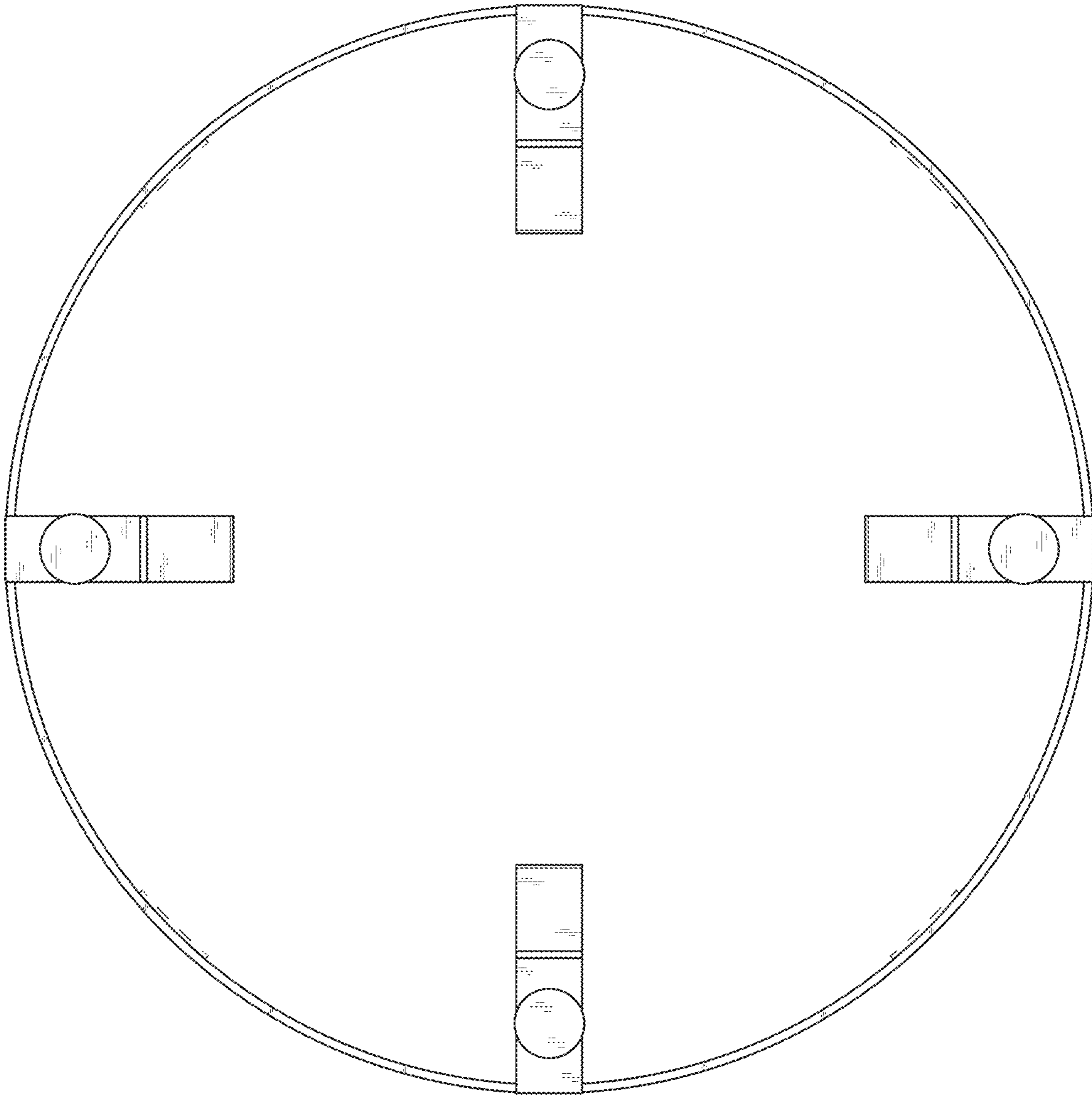


FIG. 7