



US00D928295S

(12) **United States Design Patent** (10) **Patent No.:** **US D928,295 S**  
**Albright et al.** (45) **Date of Patent:** **\*\* Aug. 17, 2021**

(54) **COUPLING SEGMENT**

(71) Applicant: **Victaulic Company**, Easton, PA (US)

(72) Inventors: **Christopher M. Albright**, Allentown, PA (US); **Scott D. Madara**, Nazareth, PA (US); **Amit R. Shah**, Quakertown, PA (US)

(73) Assignee: **Victaulic Company**, Easton, PA (US)

(\*\*) Term: **15 Years**

(21) Appl. No.: **29/739,562**

(22) Filed: **Jun. 26, 2020**

**Related U.S. Application Data**

(62) Division of application No. 29/685,422, filed on Mar. 28, 2019, now Pat. No. Des. 903,834.

(51) **LOC (13) Cl.** ..... **23-01**

(52) **U.S. Cl.**  
USPC ..... **D23/262**

(58) **Field of Classification Search**  
USPC ..... D23/262, 265; D8/349, 354, 382, 394, D8/396  
CPC ..... F16L 17/04; F16L 17/03; F16L 17/035; F16L 21/06; F16L 21/065; F16L 21/04; F16L 21/08; F16L 17/025; F16L 55/172; F16L 37/091; F16L 25/08; F16B 7/0426  
See application file for complete search history.

(56) **References Cited**

**U.S. PATENT DOCUMENTS**

529,806 A \* 11/1894 Rann ..... F16L 21/04  
277/621  
5,058,931 A \* 10/1991 Bowsher ..... F16L 17/04  
285/112  
6,935,152 B2 \* 8/2005 Dole ..... B21D 17/04  
72/105

D595,814 S \* 7/2009 Pierce ..... D23/262  
D607,549 S \* 1/2010 Shah ..... D23/262  
D608,866 S \* 1/2010 Henry ..... D23/262  
D608,867 S \* 1/2010 Henry ..... D23/262  
D612,463 S \* 3/2010 Shah ..... D23/262  
D613,377 S \* 4/2010 Shah ..... D23/262  
D614,269 S \* 4/2010 Henry ..... D23/262  
D629,075 S \* 12/2010 Madara ..... D23/262  
D629,083 S \* 12/2010 Dole ..... D23/262  
D629,084 S \* 12/2010 Dole ..... D23/262  
D633,600 S \* 3/2011 Madara ..... D23/262  
7,988,207 B2 \* 8/2011 Dole ..... F16L 17/04  
285/367  
D665,059 S \* 8/2012 Madara ..... D23/262  
D674,060 S \* 1/2013 Wilk, Jr. .... D23/262

(Continued)

*Primary Examiner* — Holly E Thurman

*Assistant Examiner* — Ieisha N Price

(74) *Attorney, Agent, or Firm* — Ballard Spahr LLP

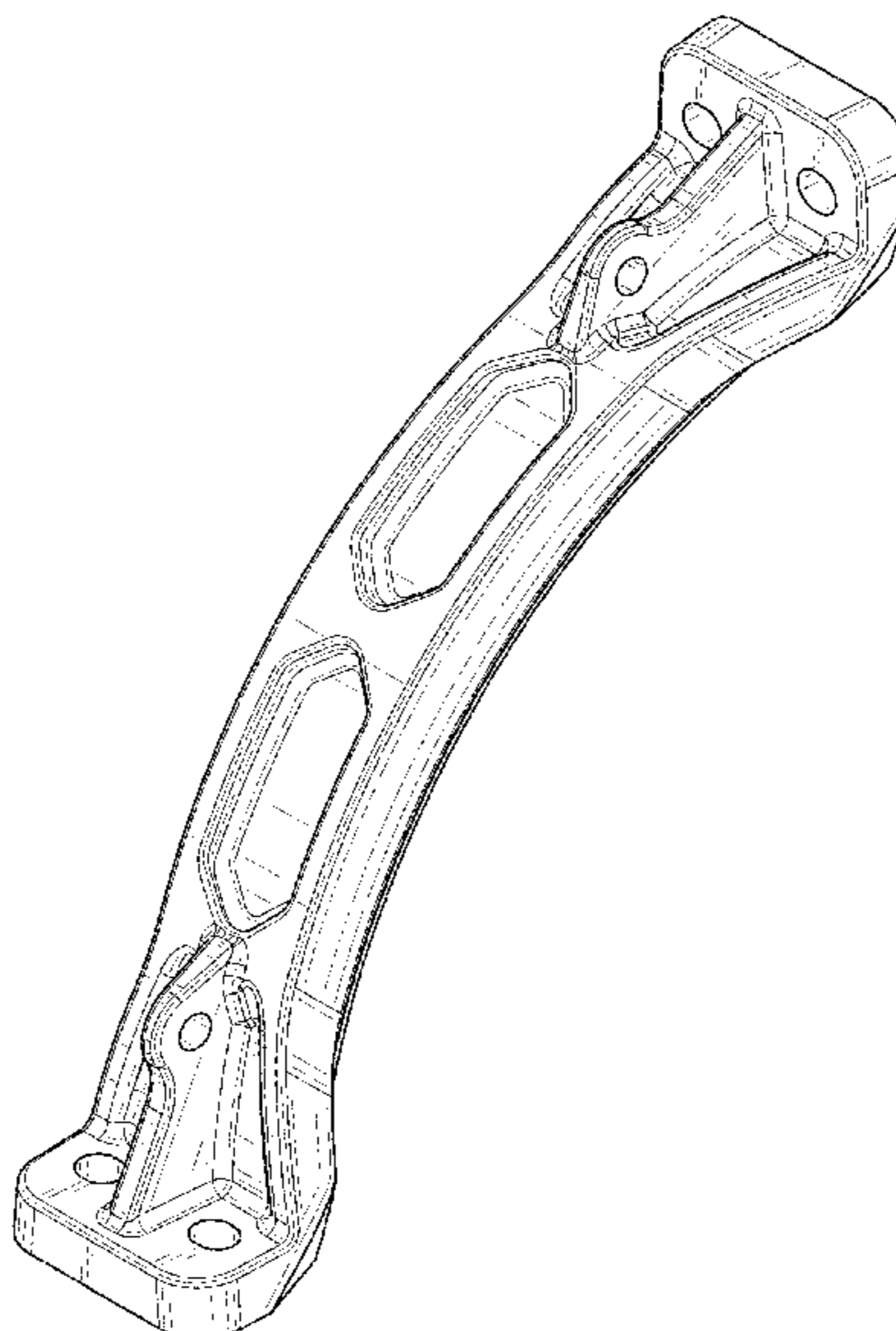
(57) **CLAIM**

The ornamental design for a coupling segment, as shown and described.

**DESCRIPTION**

FIG. 1 is an isometric view of my design for a coupling segment;  
FIG. 2 is a front view of the design of the coupling segment shown in FIG. 1;  
FIG. 3 is a rear view of the design of the coupling segment shown in FIG. 1;  
FIG. 4 is a right side view of the design of the coupling segment shown in FIG. 1, the left view being a mirror image thereof;  
FIG. 5 is a top view of the design of the coupling segment shown in FIG. 1; and,  
FIG. 6 is a bottom view of the design of the coupling segment shown in FIG. 1.  
The broken lines in the drawings illustrate portions of the coupling segment and form no part of the claimed design.

**1 Claim, 6 Drawing Sheets**



(56)

**References Cited**

## U.S. PATENT DOCUMENTS

D674,061	S *	1/2013	Cuvo .....	D23/262
D674,062	S *	1/2013	Madara .....	D23/262
D685,884	S *	7/2013	Shah .....	D23/262
D685,885	S *	7/2013	Shah .....	D23/262
D685,886	S *	7/2013	Shah .....	D23/262
D685,887	S *	7/2013	Madara .....	D23/262
D685,888	S *	7/2013	Madara .....	D23/262
D685,889	S *	7/2013	Madara .....	D23/262
D737,412	S *	8/2015	Yesavage .....	D23/262
D750,957	S *	3/2016	Cuvo .....	D8/396
D753,272	S *	4/2016	Marsicano .....	D23/262
D754,307	S *	4/2016	Dole .....	D23/262
D755,621	S *	5/2016	Madara .....	D8/396
D756,212	S *	5/2016	Wilk, Jr. ....	D8/396
D767,103	S *	9/2016	Sewell .....	D23/262
9,631,759	B2 *	4/2017	Chase .....	F16L 27/12751
D819,435	S *	6/2018	Bancroft .....	D8/396
D820,074	S *	6/2018	Huettemann .....	D8/394
D820,076	S *	6/2018	Ramirez .....	D8/396
10,190,707	B2 *	1/2019	Brandt .....	B21D 1/00
D873,651	S *	1/2020	Bancroft .....	D8/395
D875,221	S *	2/2020	Huettemann .....	D23/262
10,550,971	B2 *	2/2020	Madara .....	F16L 21/06
D903,833	S *	12/2020	Albright .....	D23/262
D903,834	S *	12/2020	Albright .....	D23/262
D903,835	S *	12/2020	Albright .....	D23/262
2015/0176728	A1 *	6/2015	Bowman .....	F16L 17/04 285/309
2019/0331265	A1 *	10/2019	Bowman .....	F16L 17/04

\* cited by examiner



FIG. 1

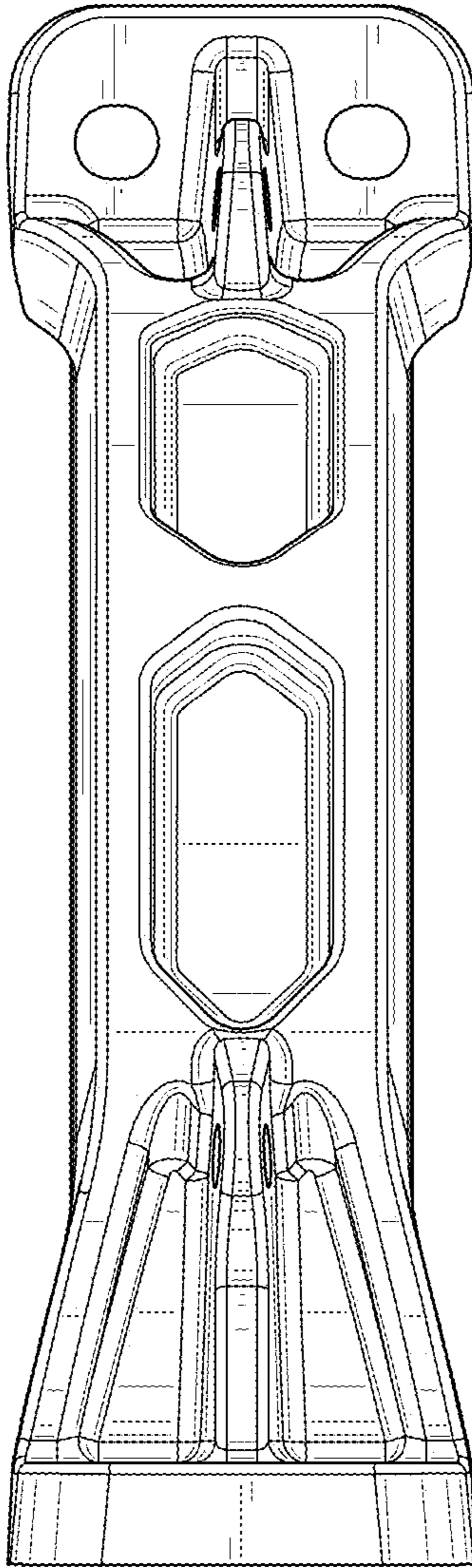


FIG. 2

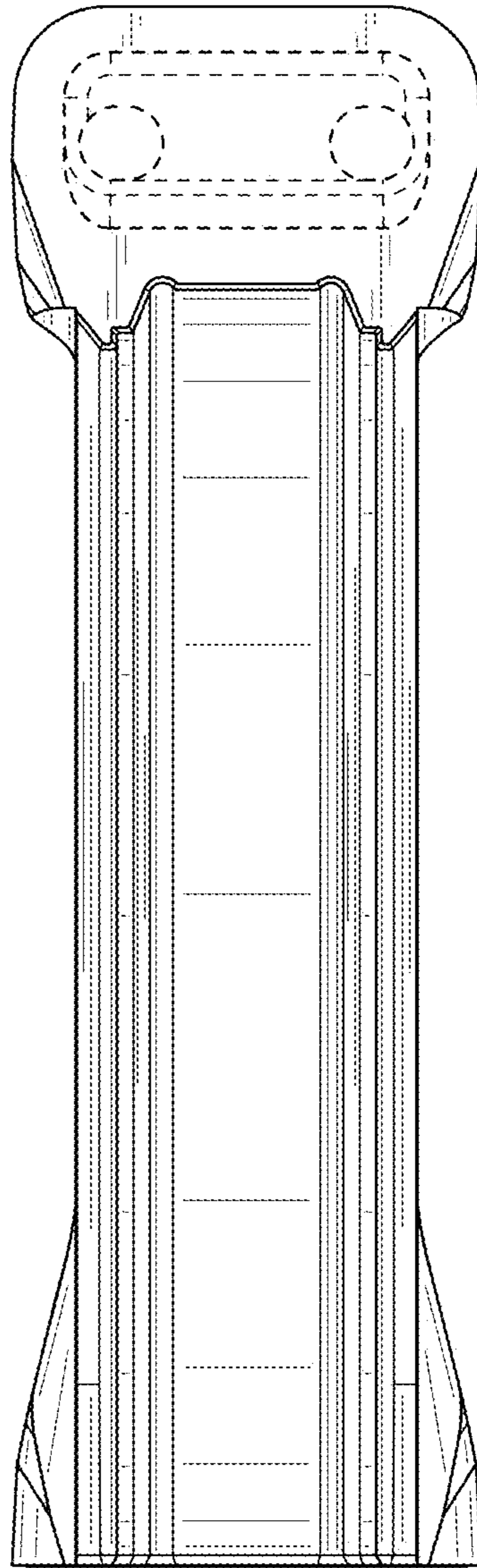


FIG. 3

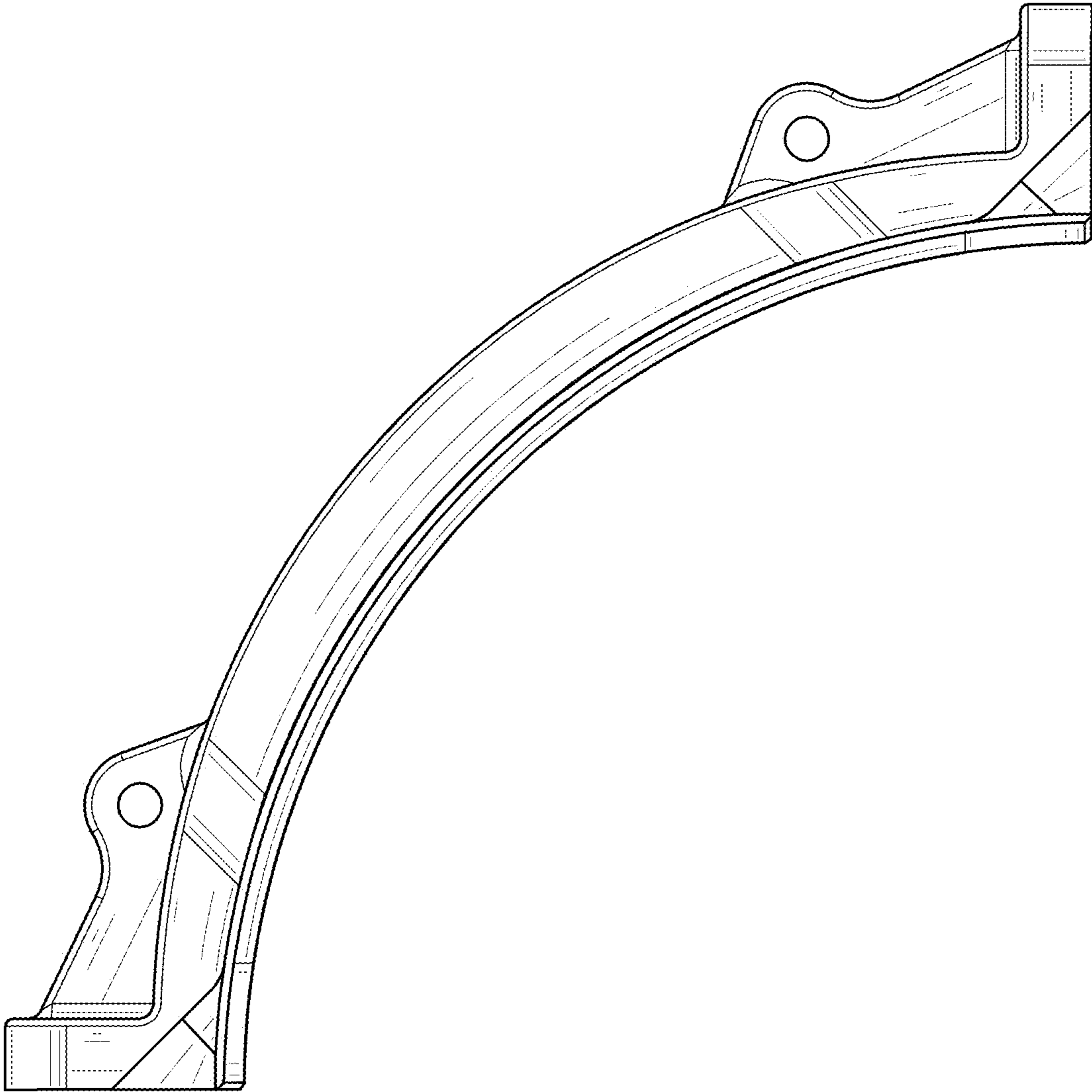


FIG. 4

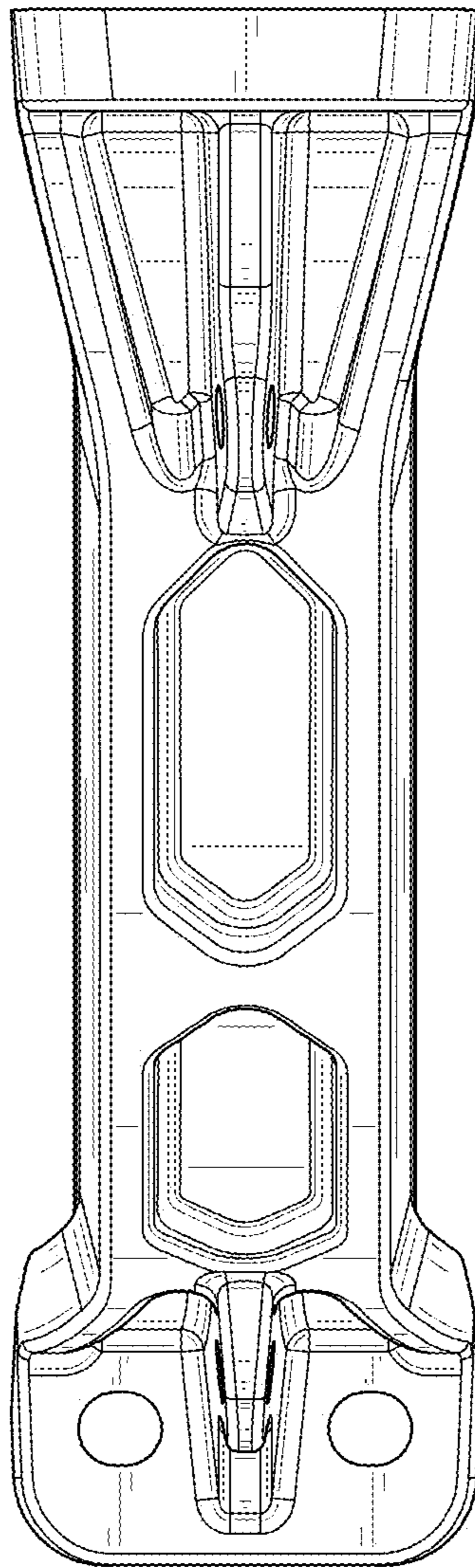


FIG. 5

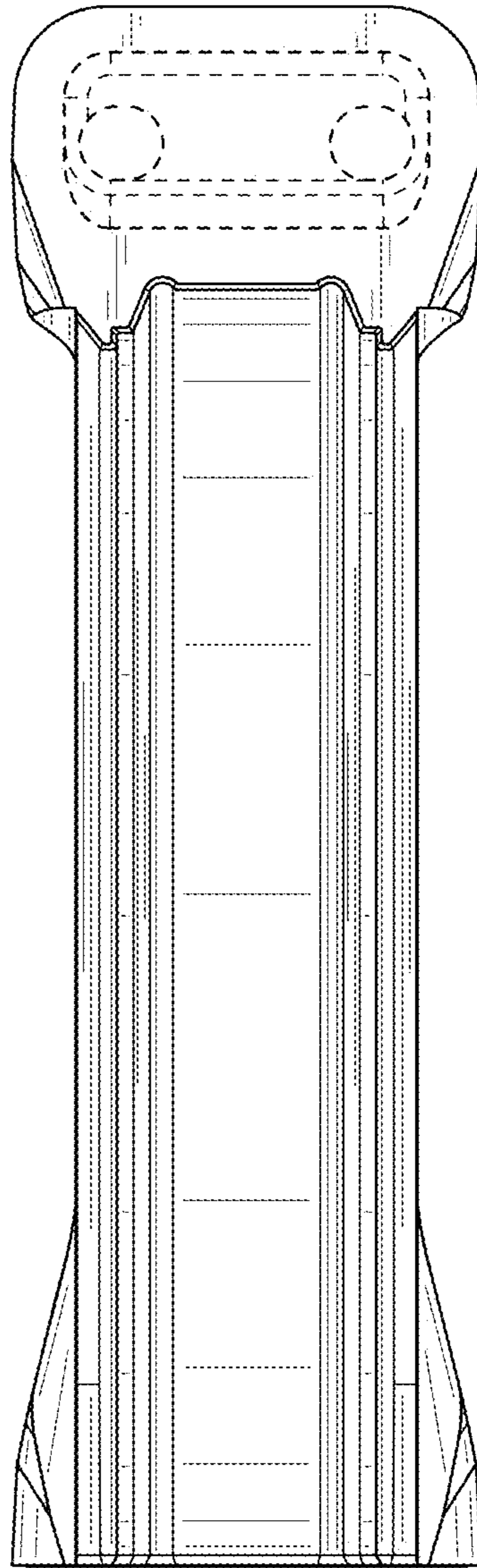


FIG. 6