



US00D928292S

(12) **United States Design Patent** (10) **Patent No.:** **US D928,292 S**
Bradford (45) **Date of Patent:** **** Aug. 17, 2021**

(54) **SPRAY MASKING PLUG**
(71) Applicant: **Caterpillar Inc.**, Deerfield, IL (US)
(72) Inventor: **James Bradford**, Corinth, MS (US)
(73) Assignee: **Caterpillar Inc.**, Peoria, IL (US)
(**) Term: **15 Years**
(21) Appl. No.: **29/682,769**
(22) Filed: **Mar. 7, 2019**
(51) **LOC (13) Cl.** **23-01**
(52) **U.S. Cl.**
USPC **D23/260**
(58) **Field of Classification Search**
USPC D8/397, 349, 382, 394; 285/249, 389;
D9/440; D23/207, 209-210, 262,
D23/259-260; D12/607
CPC F16L 19/02; F16L 57/005; F16L 11/12;
F16K 27/065; B05B 15/0462
See application file for complete search history.

(56) **References Cited**
U.S. PATENT DOCUMENTS
2,432,598 A * 12/1947 Weatherhead, Jr. .. F16L 33/207
285/256
3,992,570 A * 11/1976 Beinhaur F16L 17/10
174/135
6,651,690 B1 * 11/2003 Coogle C02F 1/688
137/268
7,874,262 B2 1/2011 Bohnheio et al.
D649,229 S * 11/2011 Caine D23/260
D662,409 S * 6/2012 Woolstencroft D8/399
8,646,488 B1 * 2/2014 Shindelar F16L 55/115
138/96 R
D761,394 S * 7/2016 Cushman D23/260

D805,379 S * 12/2017 Oniszczyk D8/397
2007/0001453 A1 * 1/2007 Miyajima F16L 57/04
285/319
2008/0092977 A1 * 4/2008 Zeyfang F16L 57/005
138/96 R
2009/0050230 A1 * 2/2009 Heritier E21B 17/006
138/96 R
2015/0079288 A1 3/2015 Sordelet
2015/0190836 A1 * 7/2015 Deck B05B 12/26
156/293
2016/0186900 A1 * 6/2016 Ho B65D 35/38
285/390
2016/0297039 A1 10/2016 Simpson et al.
2017/0107941 A1 4/2017 Young et al.
2017/0333934 A1 11/2017 Le Do

FOREIGN PATENT DOCUMENTS

EP 1609533 B1 3/2009
JP 5916928 B1 5/2016

* cited by examiner

Primary Examiner — Amy C Wierenga

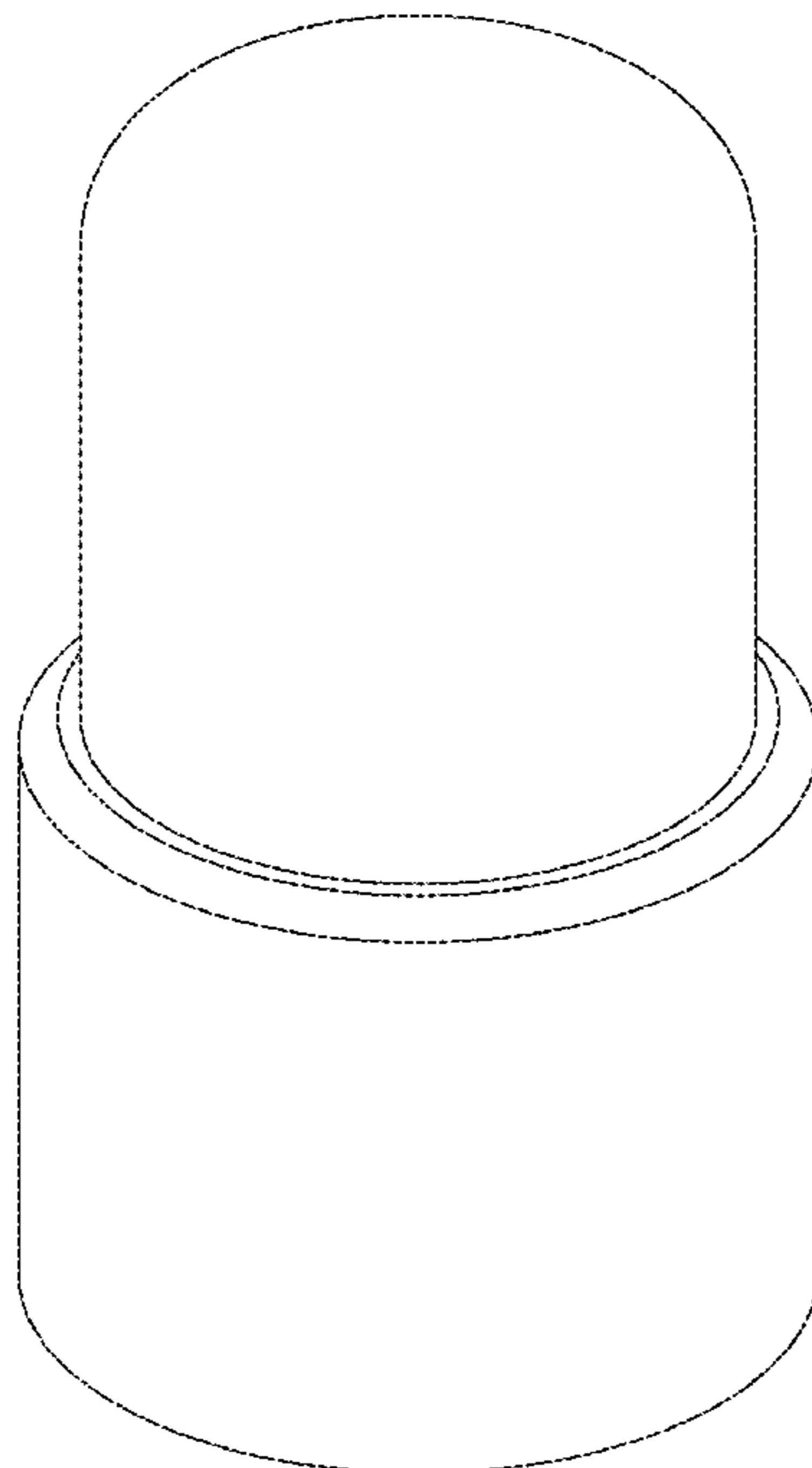
(57) **CLAIM**

The ornamental design for a spray masking plug, as shown and described.

DESCRIPTION

FIG. 1 is a perspective view of a spray masking plug showing my new design;
FIG. 2 is a front view thereof, the rear, left side and right side views being identical thereto;
FIG. 3 is a top view thereof; and,
FIG. 4 is a bottom view thereof.

1 Claim, 3 Drawing Sheets



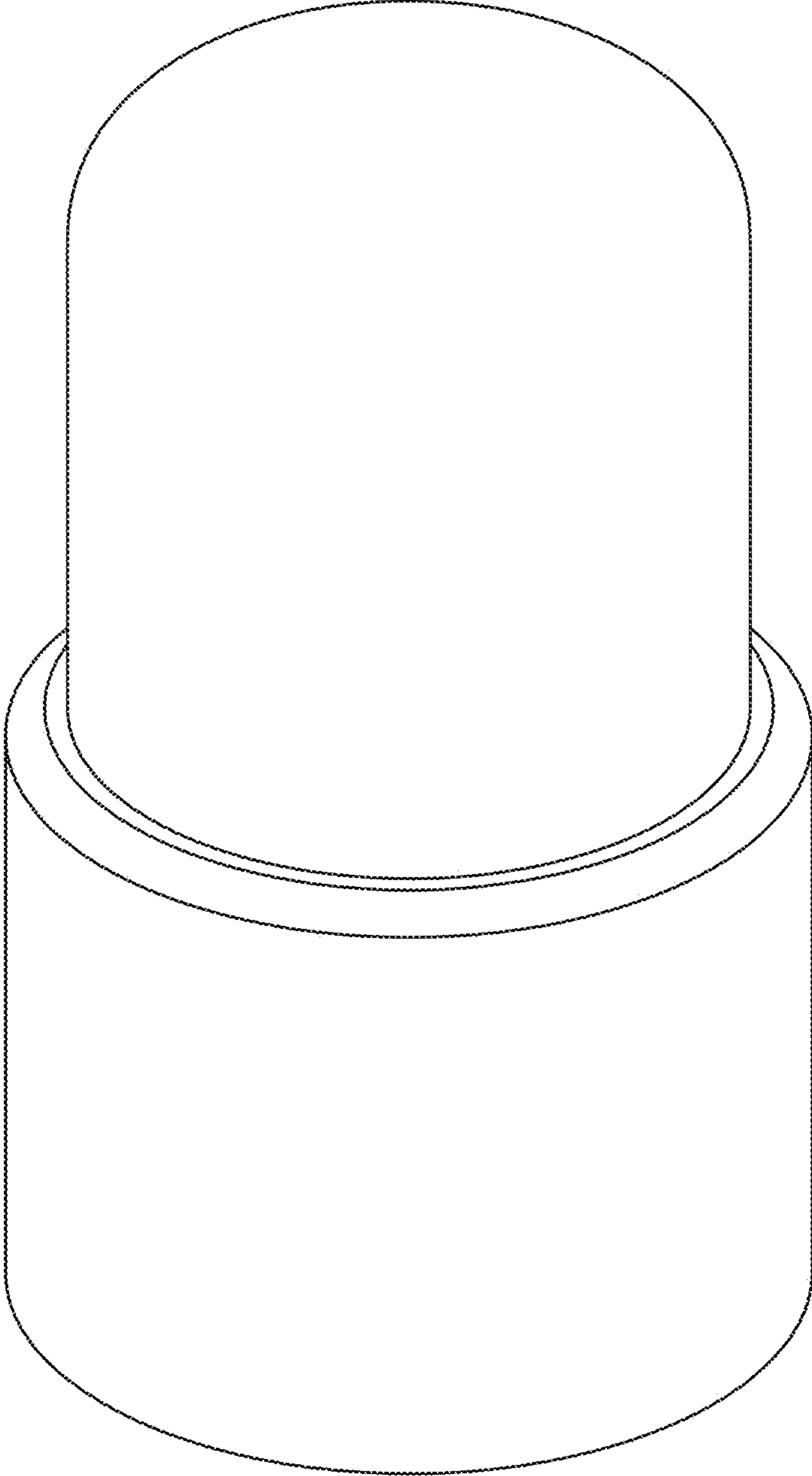


Fig. 1

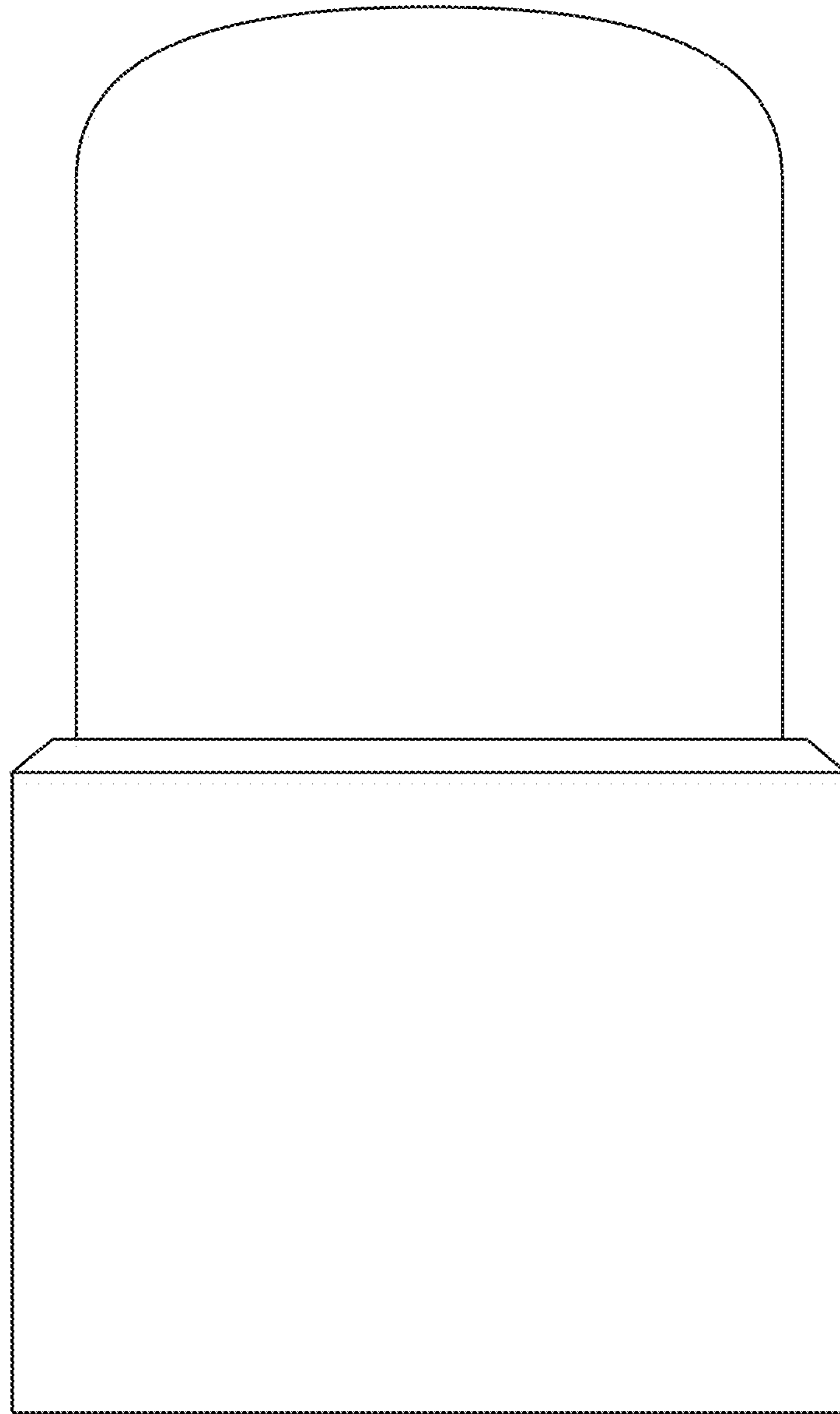


Fig. 2

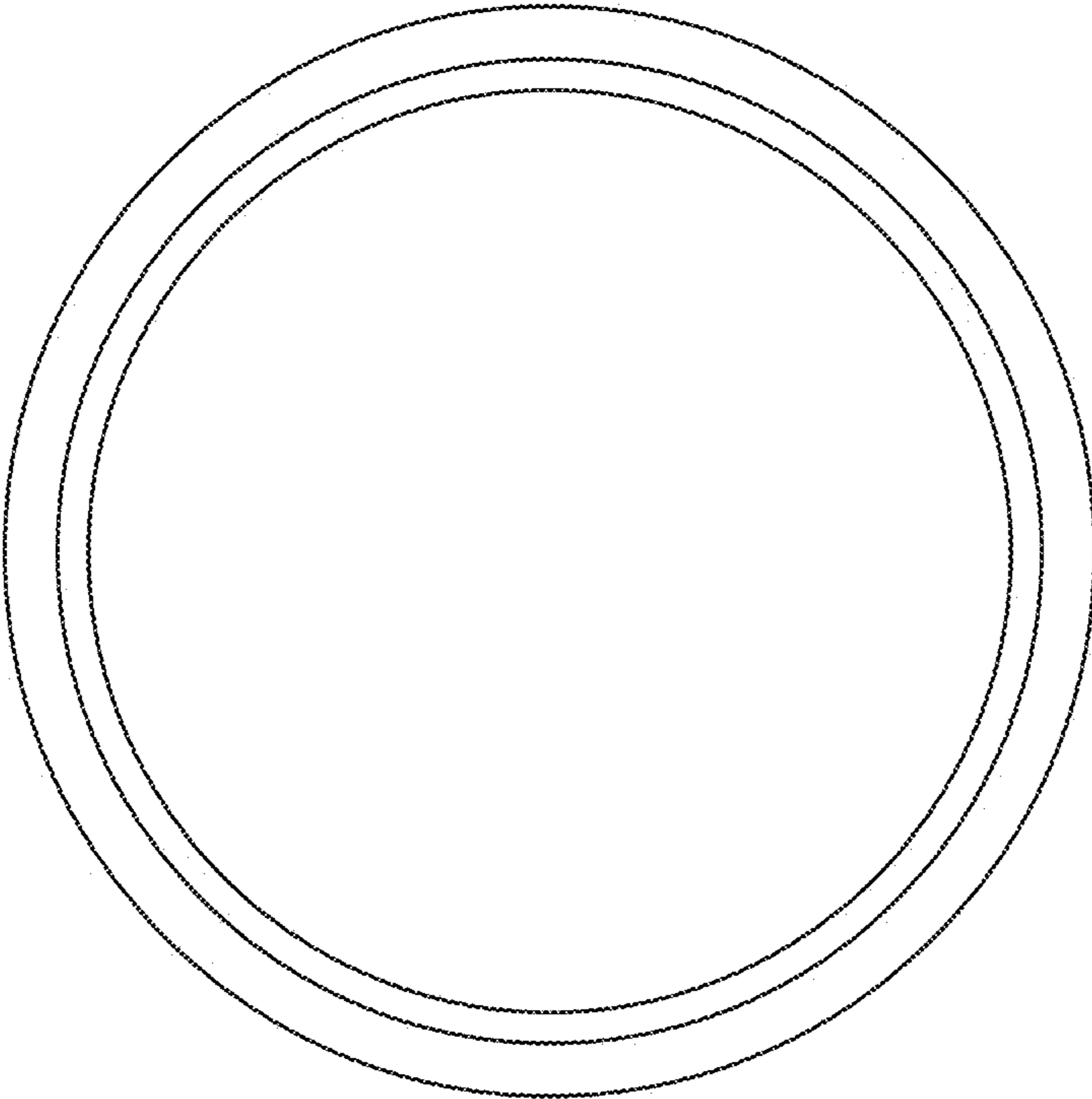


Fig. 3

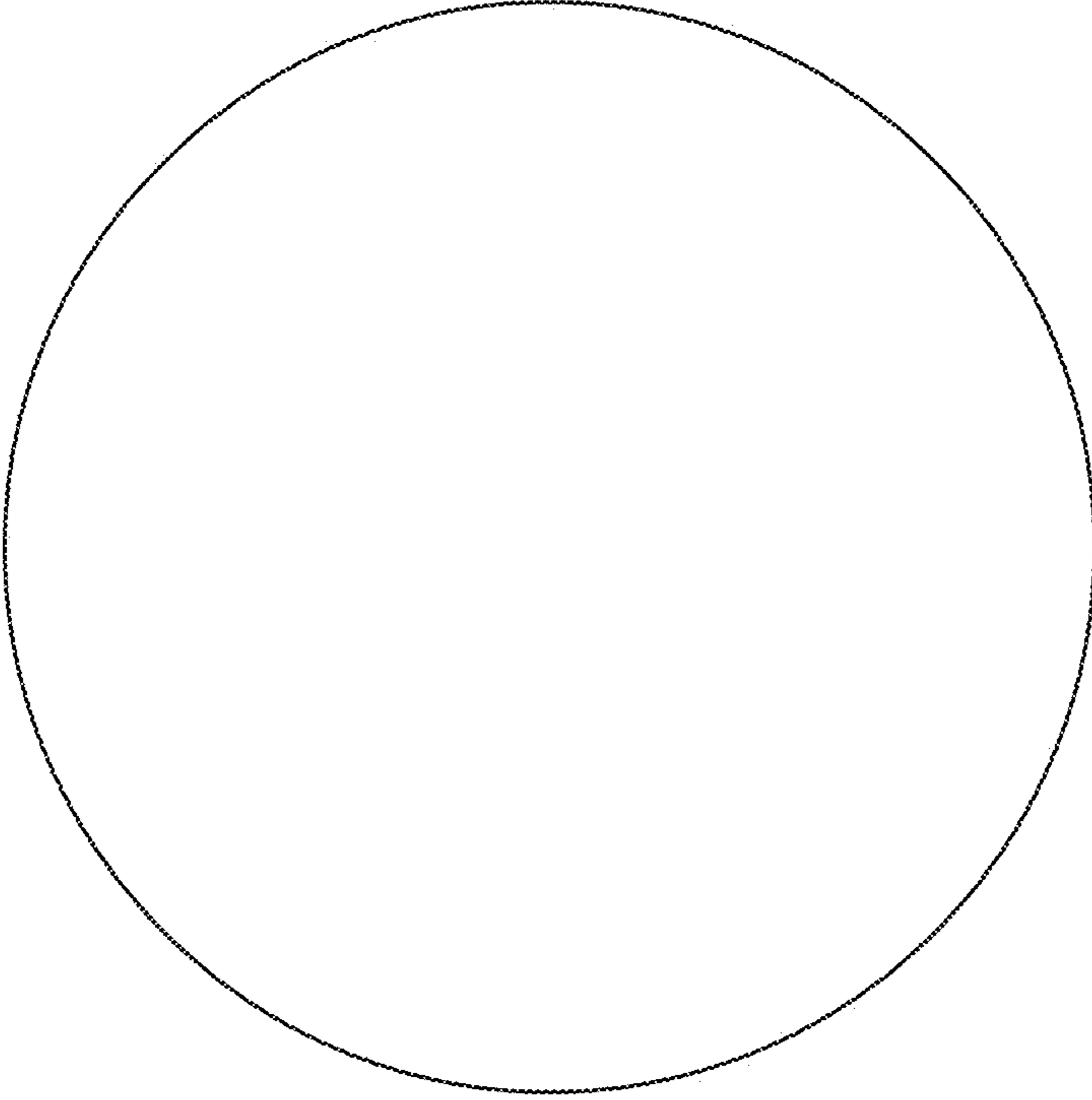


Fig. 4