



US00D928291S

(12) **United States Design Patent** (10) **Patent No.:** **US D928,291 S**  
**McKeone** (45) **Date of Patent:** **\*\* Aug. 17, 2021**

(54) **FAUCET HANDLE**

- (71) Applicant: **Kohler Co.**, Kohler, WI (US)
- (72) Inventor: **William C. McKeone**, Sheboygan, WI (US)
- (73) Assignee: **KOHLER CO.**, Kohler, WI (US)
- (\*\*) Term: **15 Years**
- (21) Appl. No.: **29/758,986**
- (22) Filed: **Nov. 19, 2020**

**Related U.S. Application Data**

- (62) Division of application No. 29/744,721, filed on Jul. 30, 2020, now Pat. No. Des. 905,828, which is a division of application No. 29/680,383, filed on Feb. 15, 2019, now Pat. No. Des. 893,681.
- (51) **LOC (13) Cl.** ..... **23-01**
- (52) **U.S. Cl.**  
USPC ..... **D23/250**
- (58) **Field of Classification Search**  
USPC ..... D23/238, 241-243, 249-250, 252, 254;  
D8/307-308  
CPC ..... Y10T 137/9464; Y10T 137/6014; Y10T  
137/6017  
See application file for complete search history.

(56) **References Cited**

**U.S. PATENT DOCUMENTS**

D265,229 S	6/1982	Paul
D317,349 S	6/1991	Rodstein
D331,620 S	12/1992	Bell
D342,777 S	12/1993	Paul
D503,217 S	3/2005	Aubry et al.
D512,487 S	12/2005	Kulig et al.
D568,967 S	5/2008	Williams et al.
D601,227 S	9/2009	Sieger

(Continued)

**OTHER PUBLICATIONS**

No additional references cited (Year: 2021).\*  
Foreign Action other than Search Report on IN 319711-001 dated Aug. 27, 2019.

*Primary Examiner* — Robert A Delehanty

(74) *Attorney, Agent, or Firm* — Foley & Lardner LLP

(57) **CLAIM**

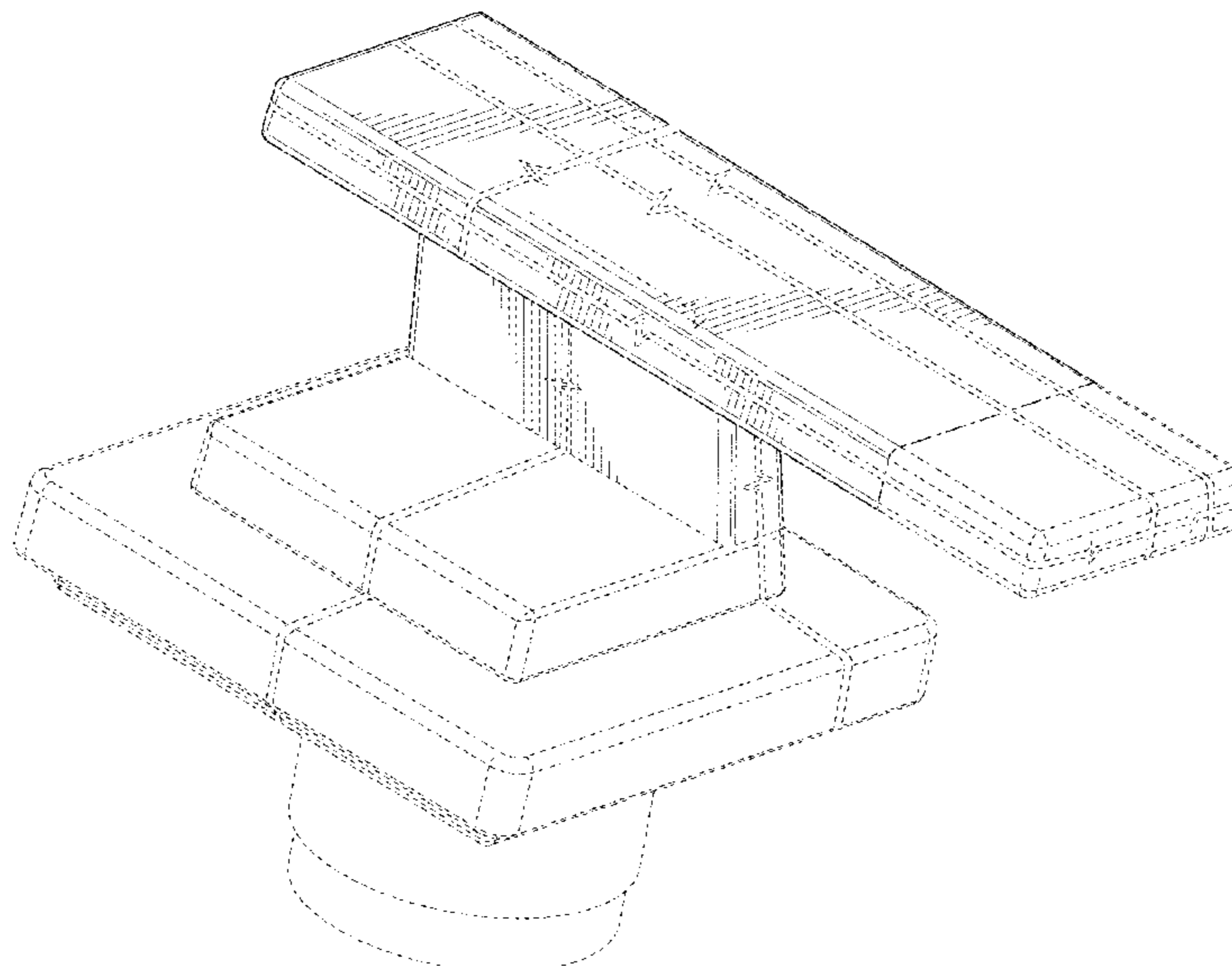
I claim the ornamental design for a faucet handle, as shown and described.

**DESCRIPTION**

FIG. 1 is a perspective view of an embodiment of the claimed design;  
 FIG. 2 is a side view of the embodiment of FIG. 1;  
 FIG. 3 is another side view of the embodiment of FIG. 1;  
 FIG. 4 is a front view of the embodiment of FIG. 1;  
 FIG. 5 is a rear view of the embodiment of FIG. 1;  
 FIG. 6 is a top view of the embodiment of FIG. 1;  
 FIG. 7 is a bottom view of the embodiment of FIG. 1;  
 FIG. 8 is a perspective view of another embodiment of the claimed design;  
 FIG. 9 is a side view of the embodiment of FIG. 8;  
 FIG. 10 is another side view of the embodiment of FIG. 8;  
 FIG. 11 is a front view of the embodiment of FIG. 8;  
 FIG. 12 is a rear view of the embodiment of FIG. 8;  
 FIG. 13 is a top view of the embodiment of FIG. 8; and,  
 FIG. 14 is a bottom view of the embodiment of FIG. 8.

The ornamental design which is claimed is shown in solid lines in the drawings. The broken lines in the drawings are for illustrative purposes only and form no part of the claimed design. Broken lines formed of unequal length dashes (i.e., dash-dot) define bounds of the claimed design. Break lines having a jagged element are not part of the claimed design and the appearance of any portion of the article between the broken away symbols forms no part of the claimed design.

**1 Claim, 14 Drawing Sheets**



(56)

**References Cited**

U.S. PATENT DOCUMENTS

D608,419 S	1/2010	Kohler et al.
D608,420 S	1/2010	Kohler
D613,375 S	4/2010	Hanna
D613,822 S	4/2010	Hanna
D622,821 S	8/2010	Sandee
D625,393 S	10/2010	Sieger
D625,778 S	10/2010	Sandee
D630,304 S	1/2011	Sandee
D632,369 S	2/2011	Kulig
D635,223 S	3/2011	Sandee et al.
D692,104 S	10/2013	Gessi
D720,436 S	12/2014	Hundley et al.
D796,009 S	8/2017	Sieger
D800,262 S	10/2017	Andrew
D822,798 S	7/2018	Sieger
D828,506 S	9/2018	Schoenherr et al.
D845,442 S	4/2019	Eads et al.
D870,243 S	12/2019	Eads et al.

\* cited by examiner

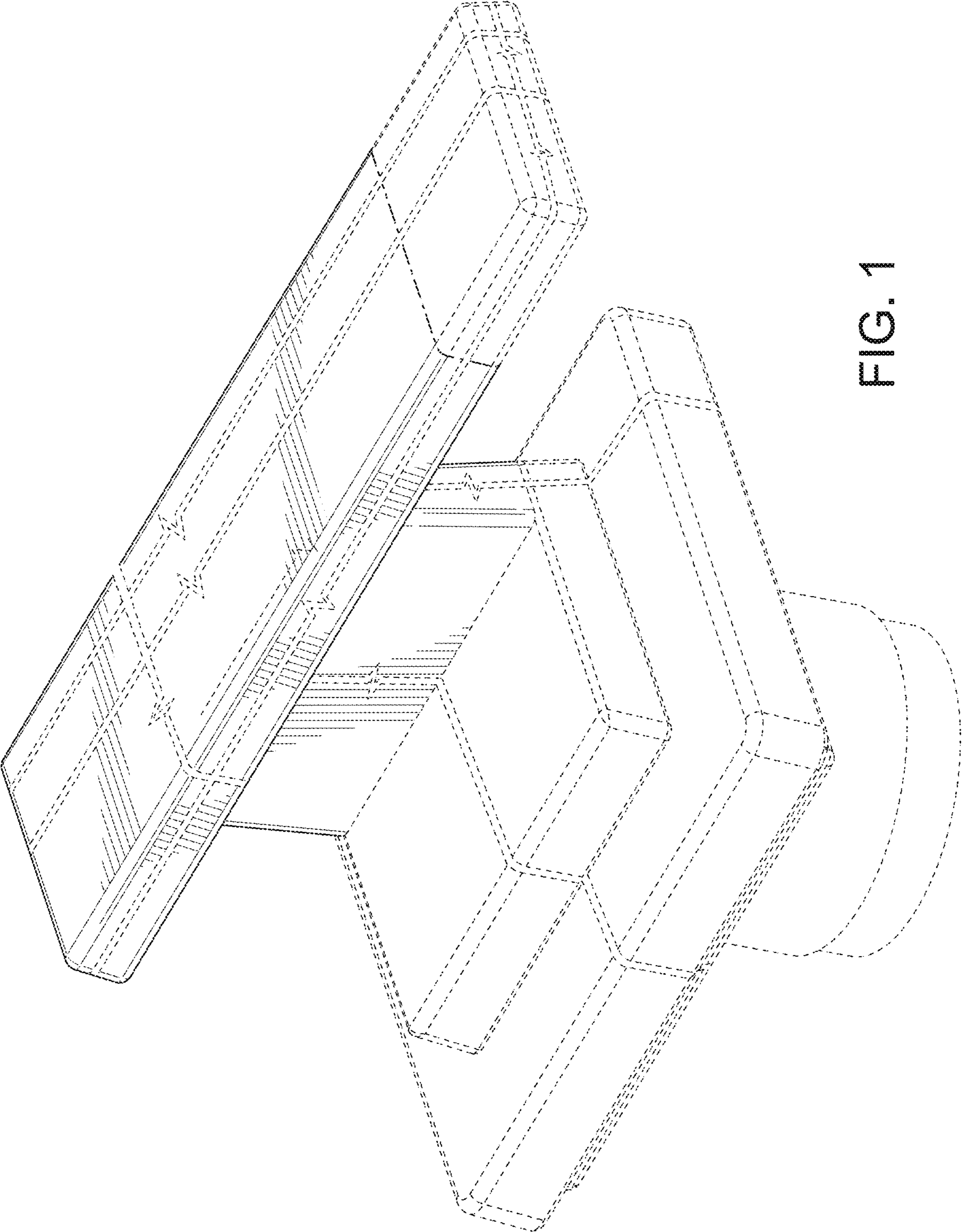


FIG. 1

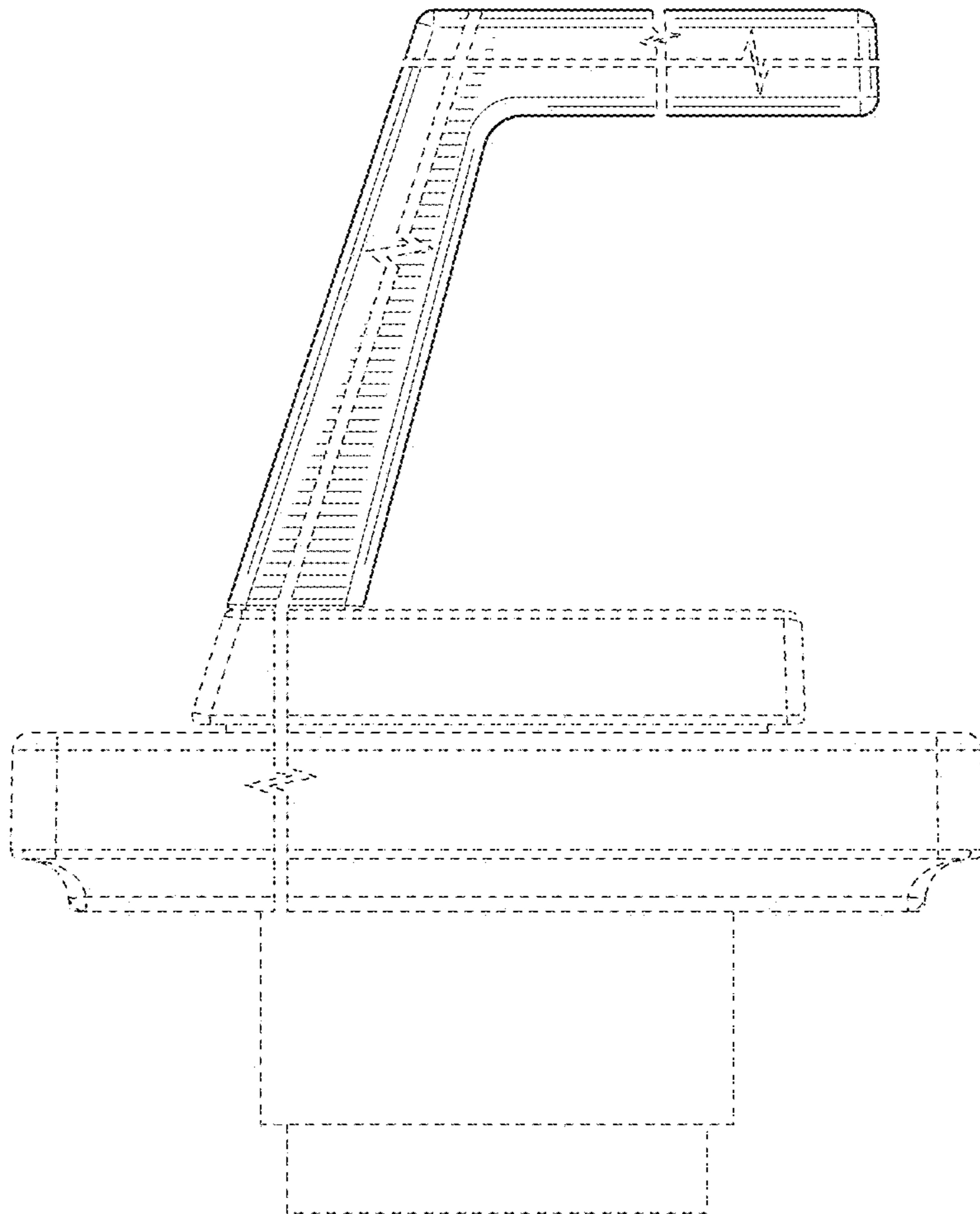


FIG. 2

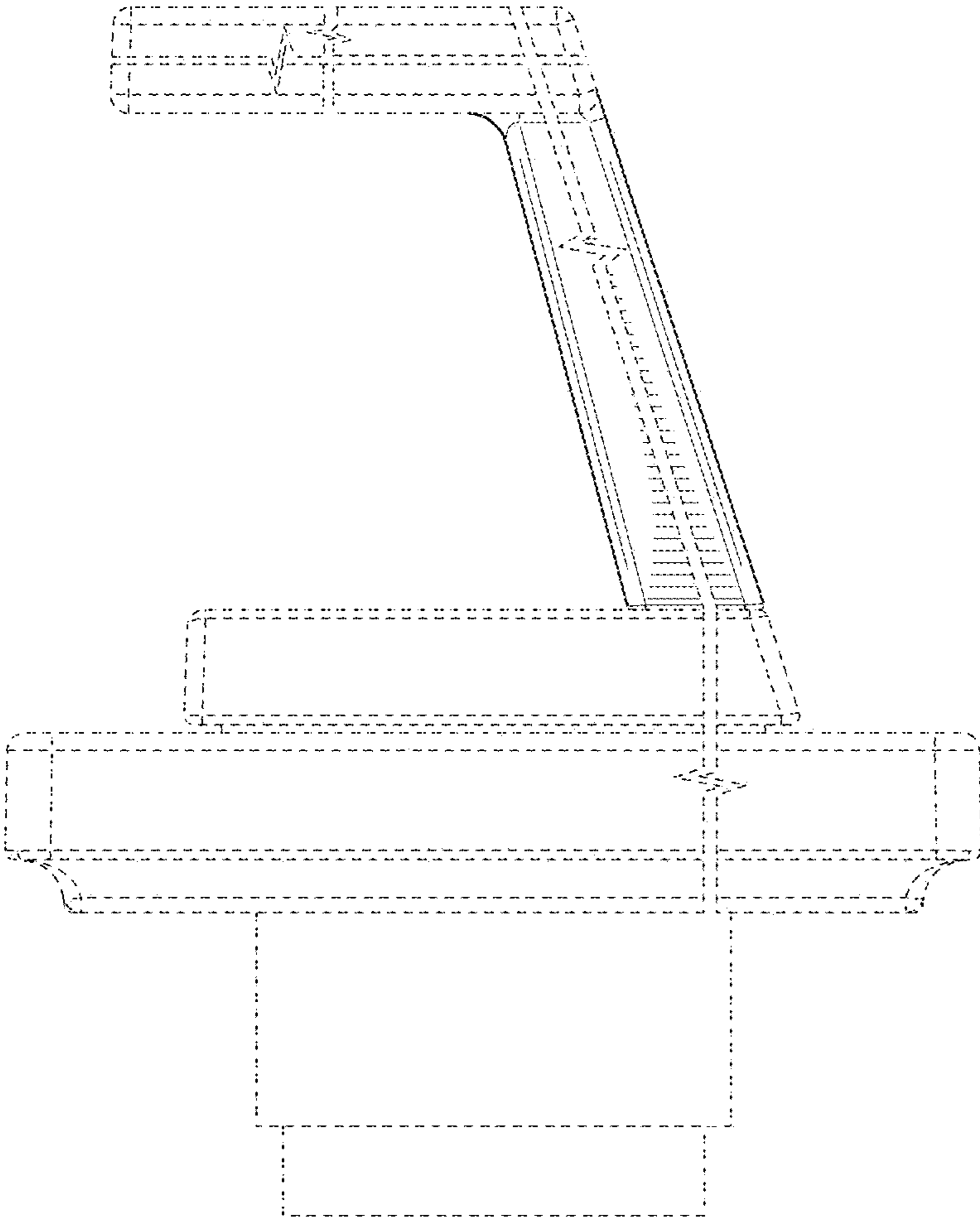


FIG. 3



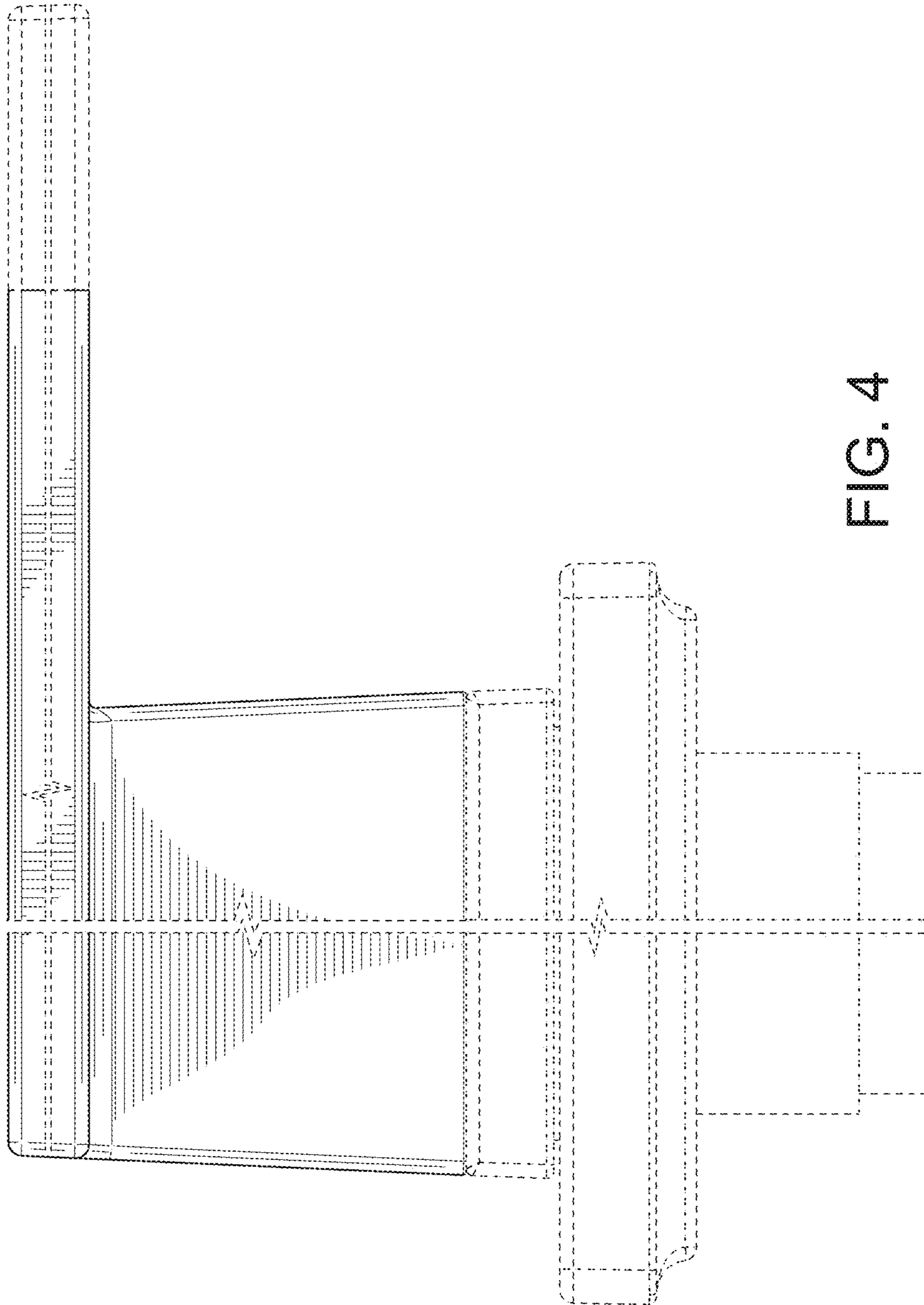


FIG. 4

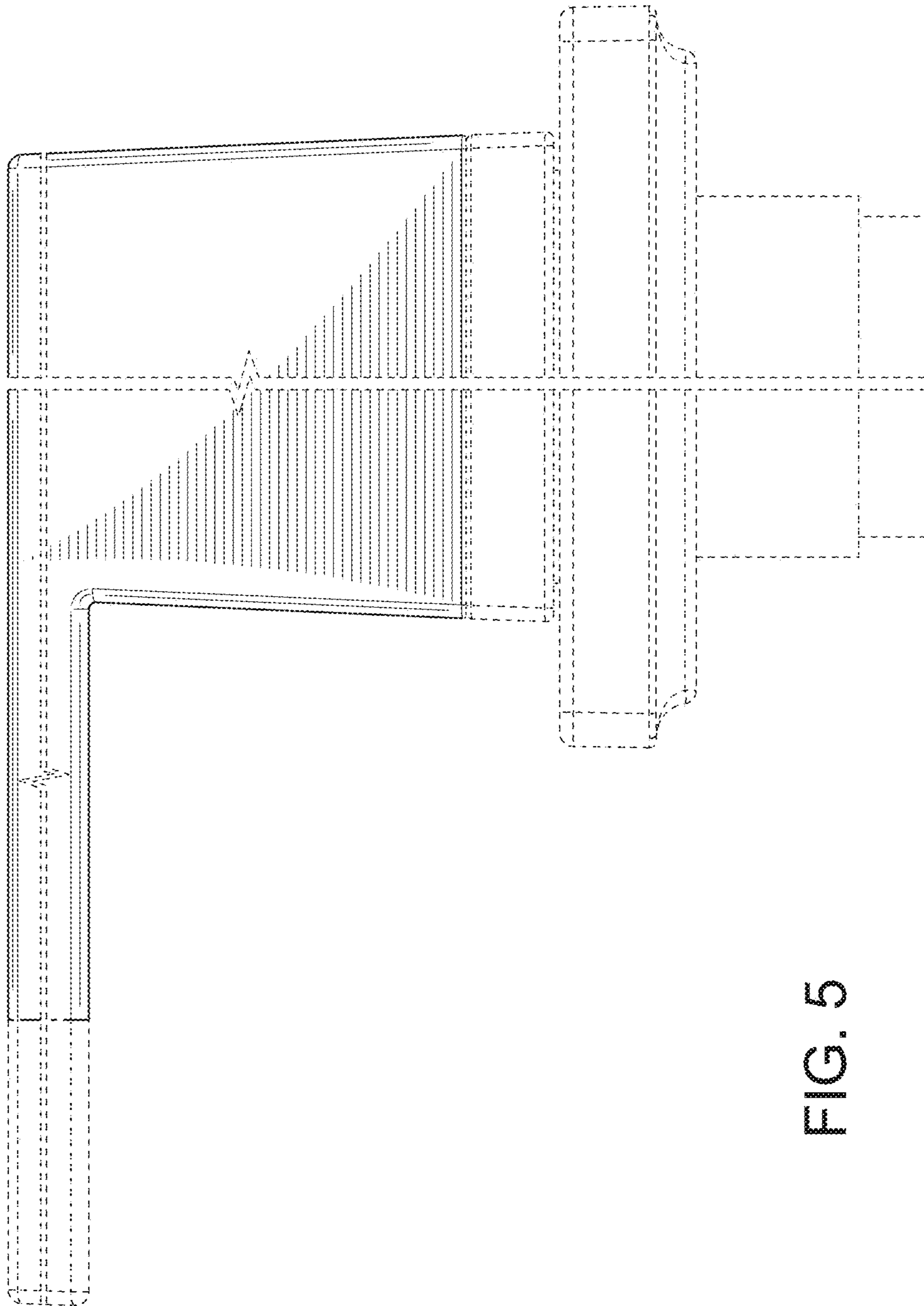


FIG. 5

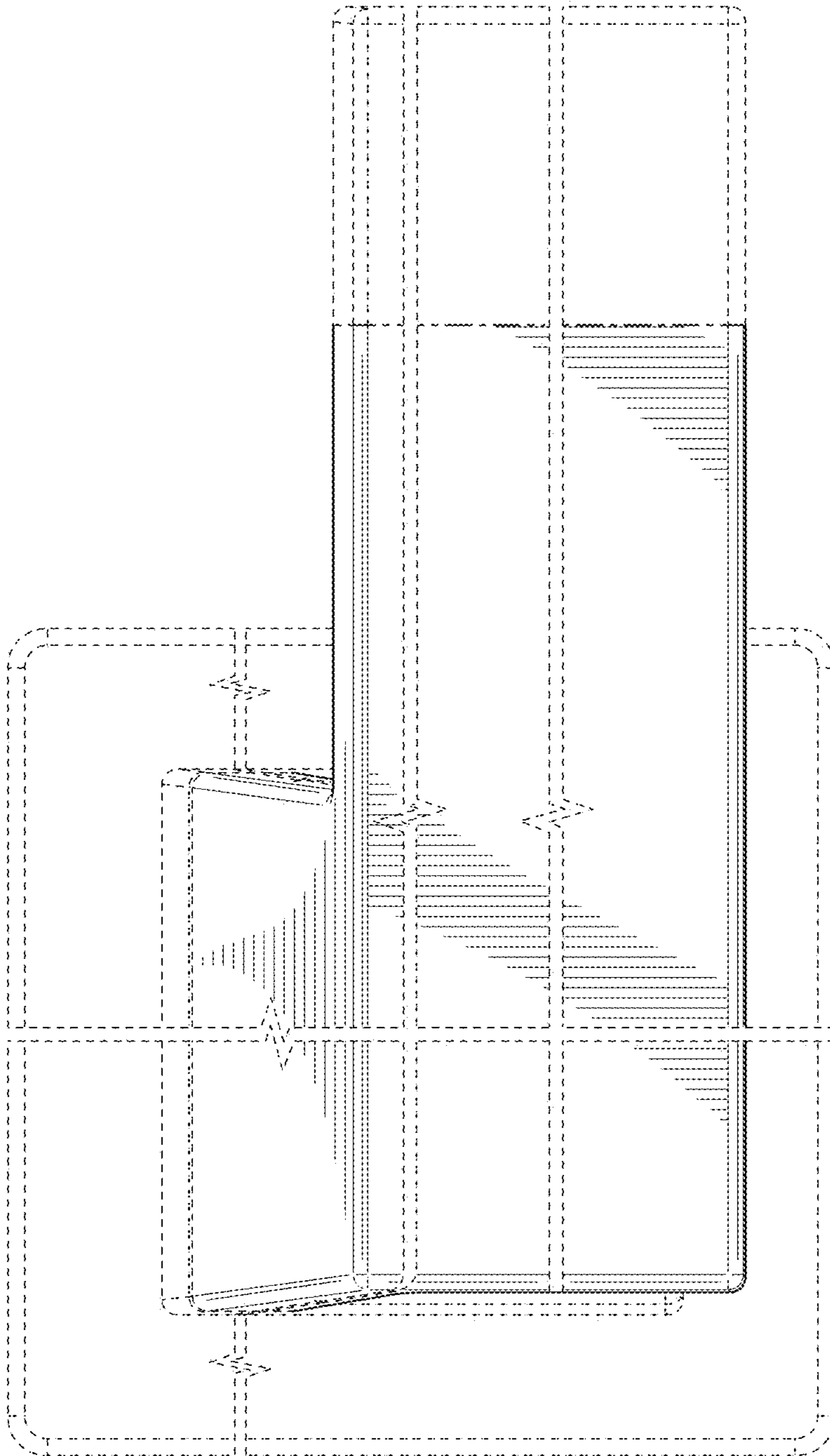


FIG. 6



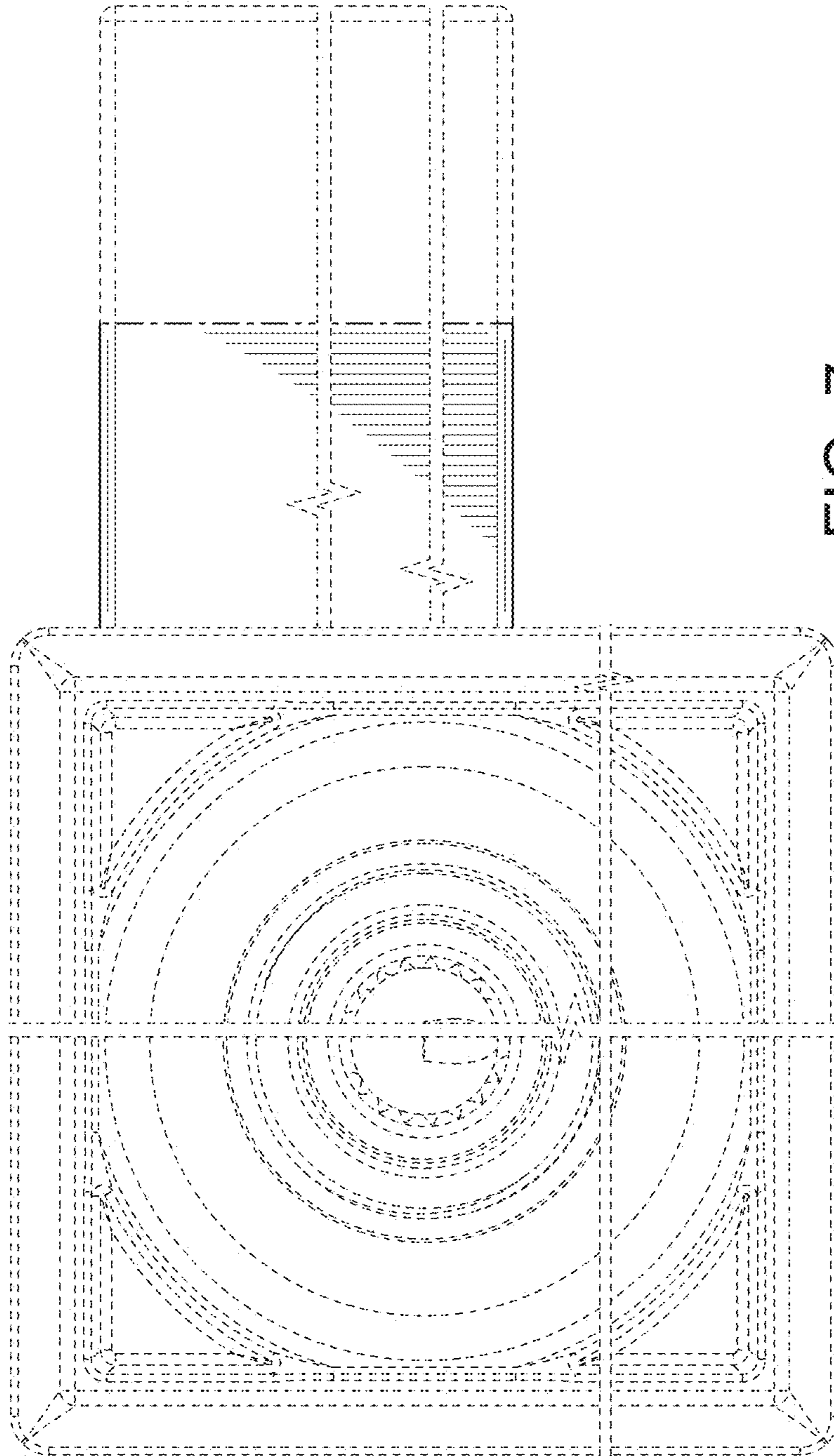


FIG. 7

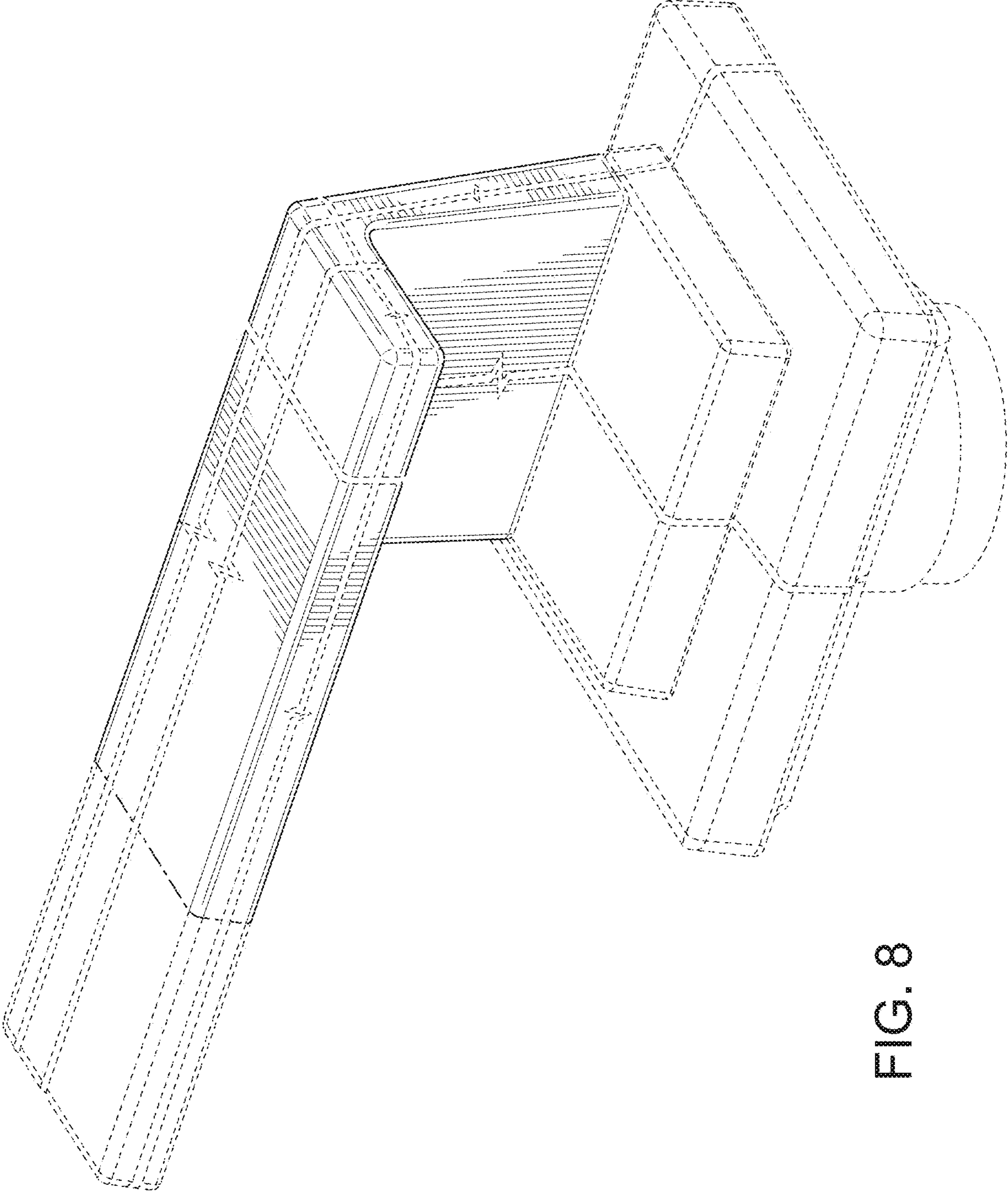


FIG. 8

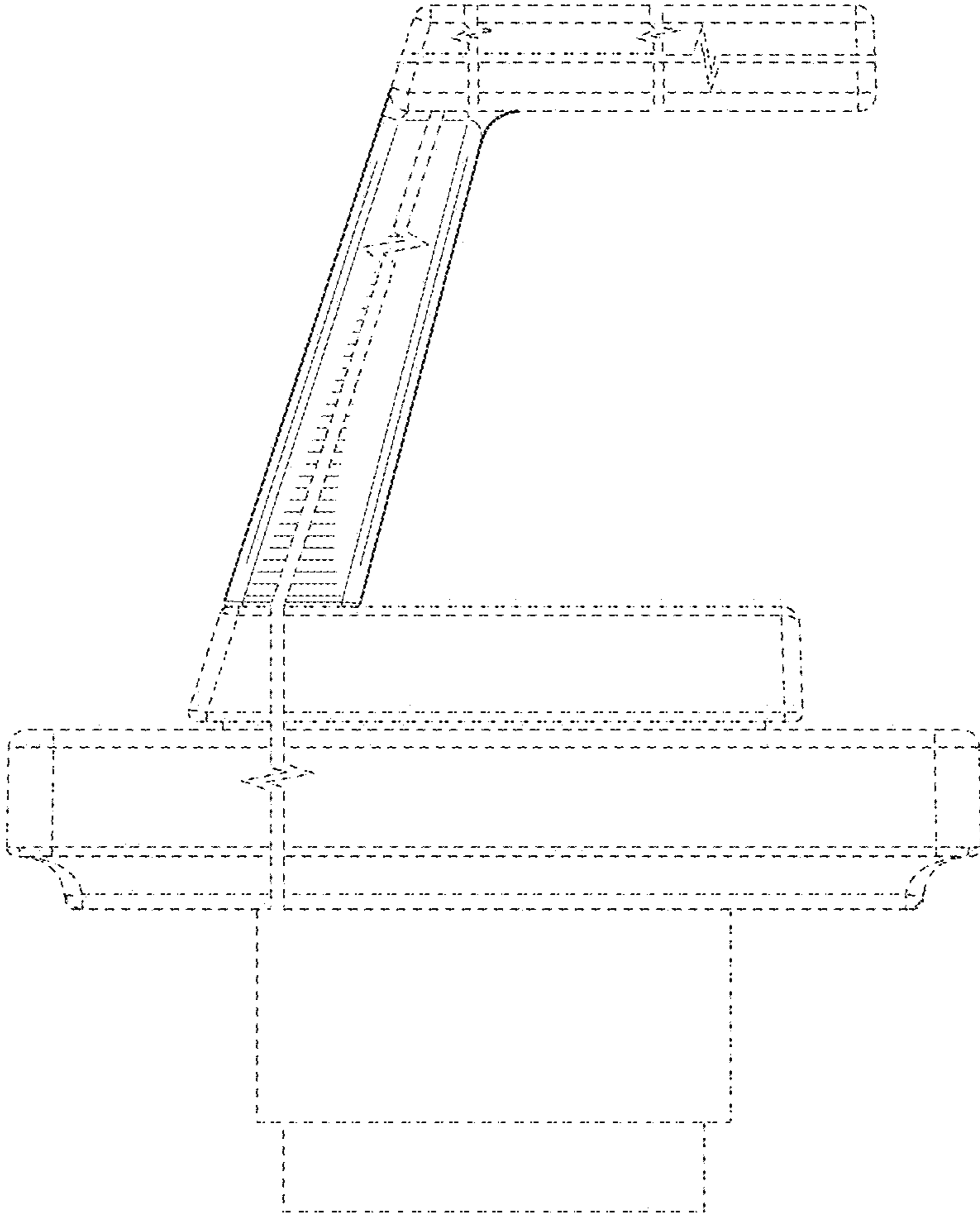


FIG. 9

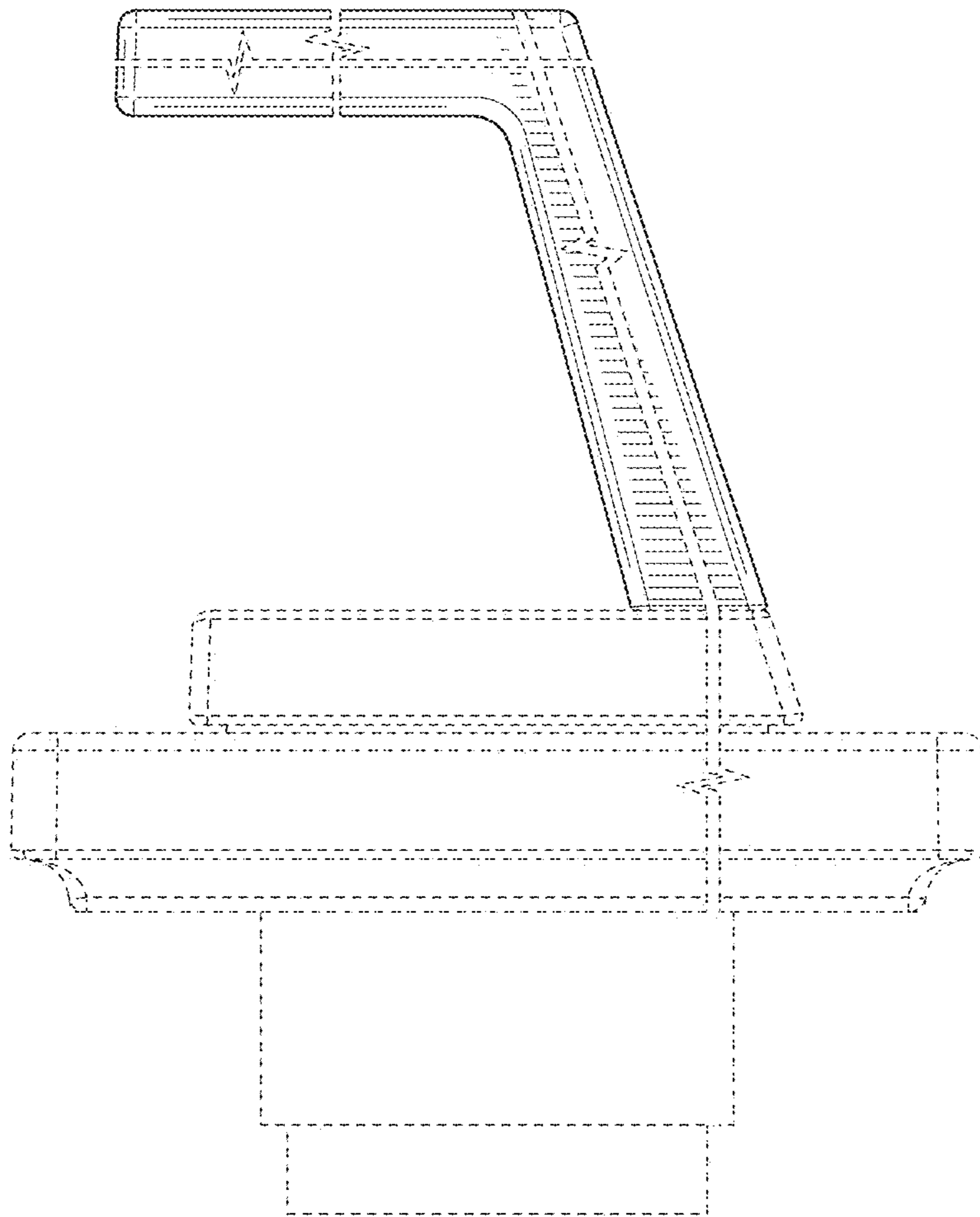


FIG. 10

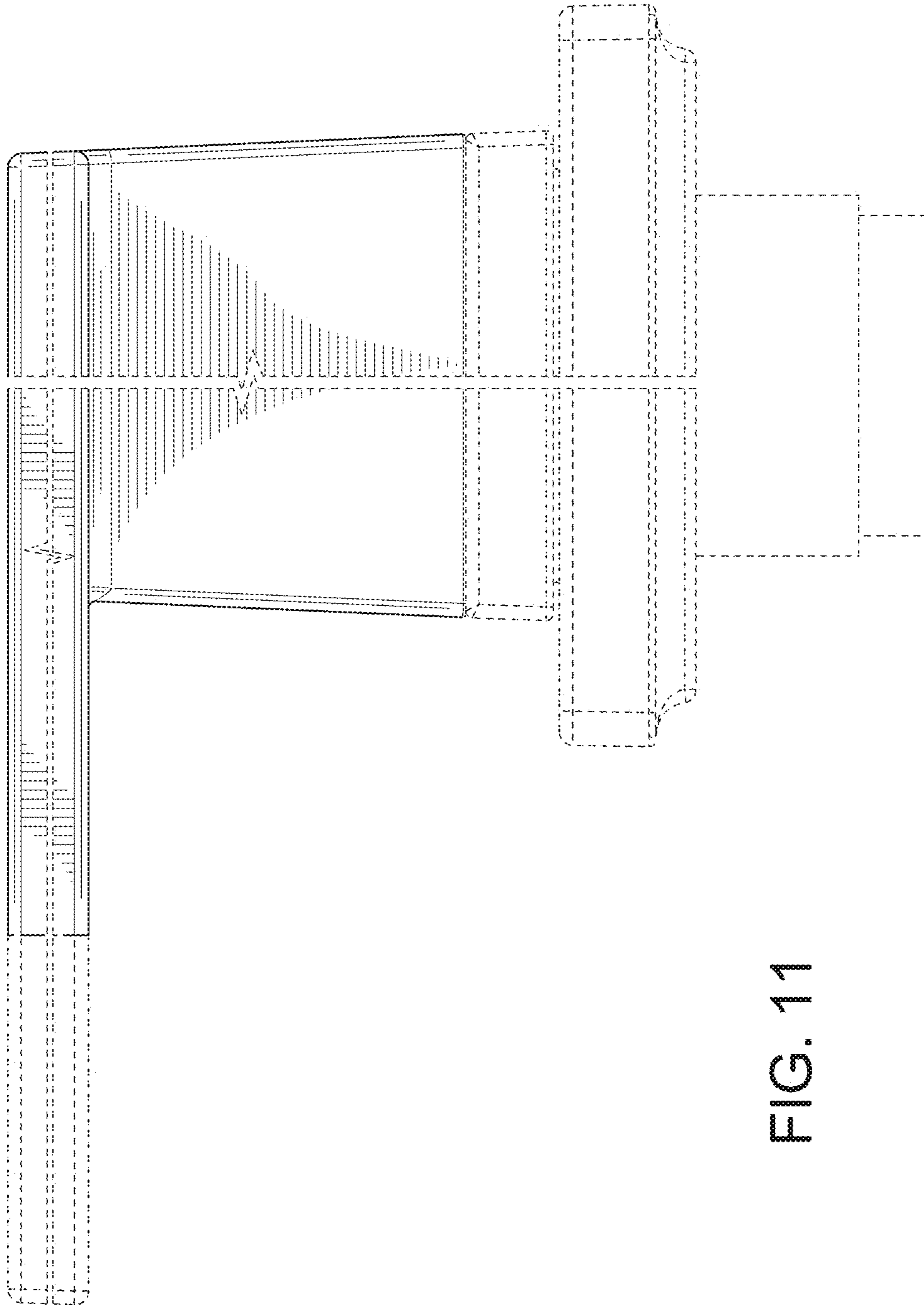


FIG. 11



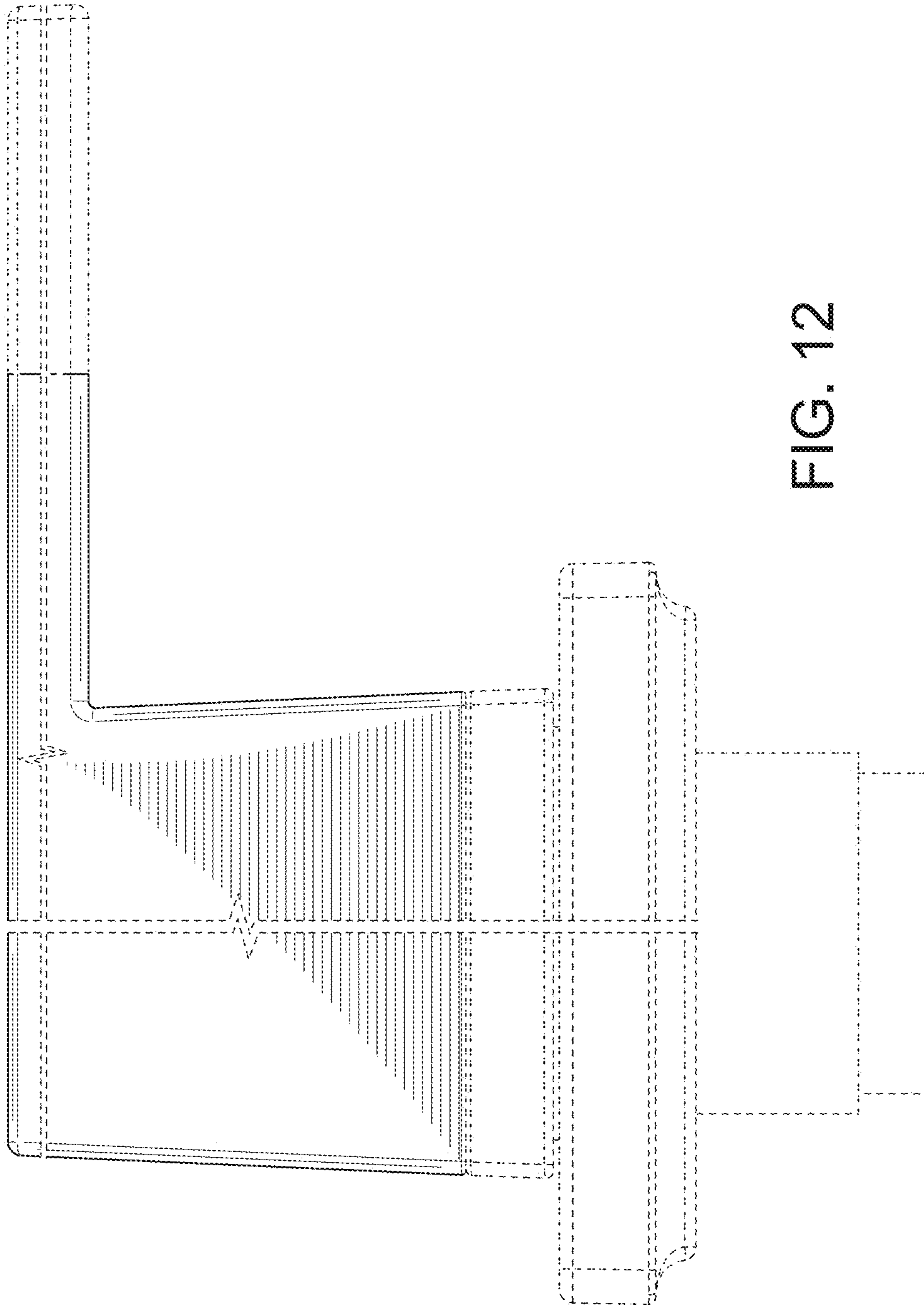


FIG. 12

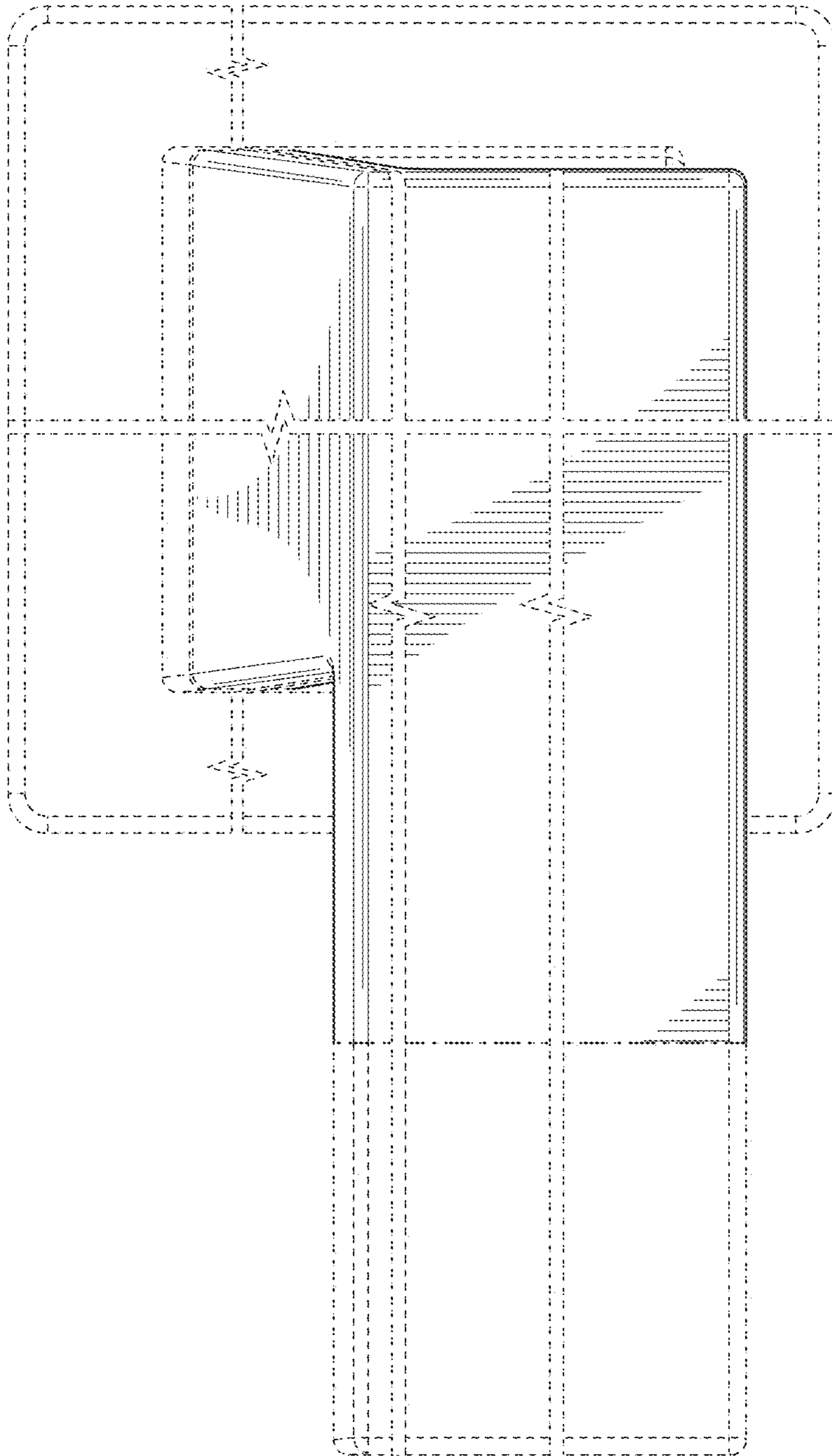


FIG. 13

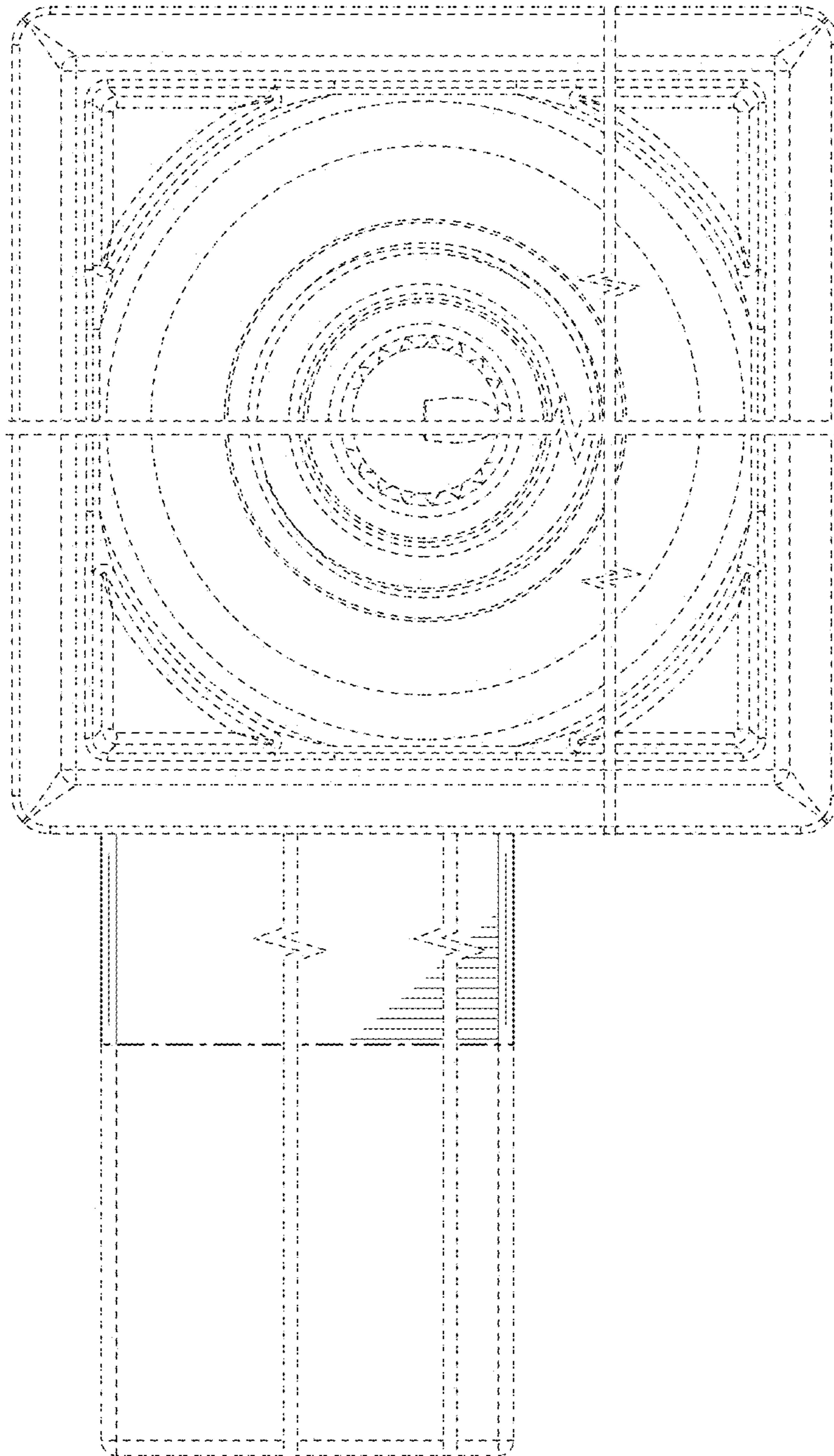


FIG. 14