



US00D928289S

(12) **United States Design Patent**
Shim

(10) **Patent No.:** **US D928,289 S**

(45) **Date of Patent:** **** Aug. 17, 2021**

(54) **REGULATOR VALVE**

10,167,970 B2 * 1/2019 Lee G05D 16/0663
D858,703 S * 9/2019 Lagoni D23/233

(71) Applicant: **DOOSAN MOBILITY INNOVATION INC.**, Gyeonggi-do (KR)

* cited by examiner

(72) Inventor: **Gyu Jung Shim**, Gyeonggi-do (KR)

Primary Examiner — Gino Colan

(73) Assignee: **DOOSAN MOBILITY INNOVATION INC.**

(74) *Attorney, Agent, or Firm* — Tarolli, Sundheim, Covell & Tummino LLP

(**) Term: **15 Years**

(57) **CLAIM**

I claim the ornamental design for a regulator valve, as shown and described.

(21) Appl. No.: **29/713,669**

DESCRIPTION

(22) Filed: **Nov. 18, 2019**

(51) **LOC (13) Cl.** **23-01**

(52) **U.S. Cl.**
USPC **D23/233**

(58) **Field of Classification Search**
USPC D23/233, 235, 237, 241, 245, 247, 248;
137/198, 112, 315.04, 498, 14, 625.64,
137/625.23, 85; 251/330

FIG. 1 is a perspective view of a regulator valve comprising a new, original and ornamental design;

FIG. 2 is a front elevational view of the regulator valve shown in FIG. 1;

FIG. 3 is a rear elevational view of the regulator valve shown in FIG. 1;

FIG. 4 is a left side view of the regulator valve shown in FIG. 1;

FIG. 5 is a right side view of the regulator valve shown in FIG. 1;

FIG. 6 is a top plan view of the regulator valve shown in FIG. 1;

FIG. 7 is a bottom view of the regulator valve shown in FIG. 1; and,

FIG. 8 is another perspective view of the regulator valve of FIG. 1.

The broken lines shown in the figures are for the purpose of illustrating portions of the regulator valve and form no part of the claimed design.

CPC F16K 24/048; F16K 24/00; F16K 24/04;
F16K 24/06

See application file for complete search history.

(56) **References Cited**

U.S. PATENT DOCUMENTS

8,985,553 B2 * 3/2015 Knepple F16K 24/04
251/330

1 Claim, 8 Drawing Sheets

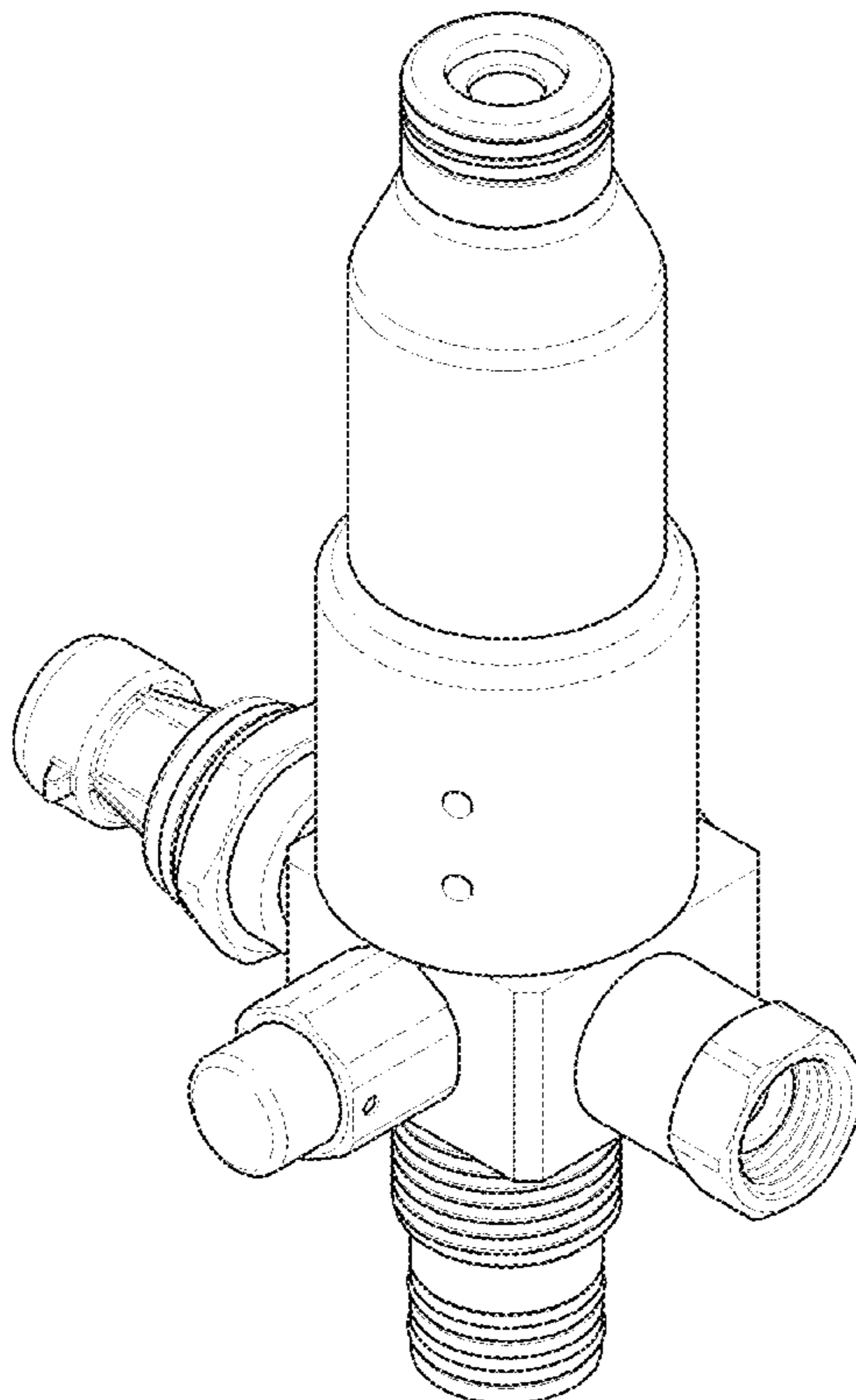


Fig. 1

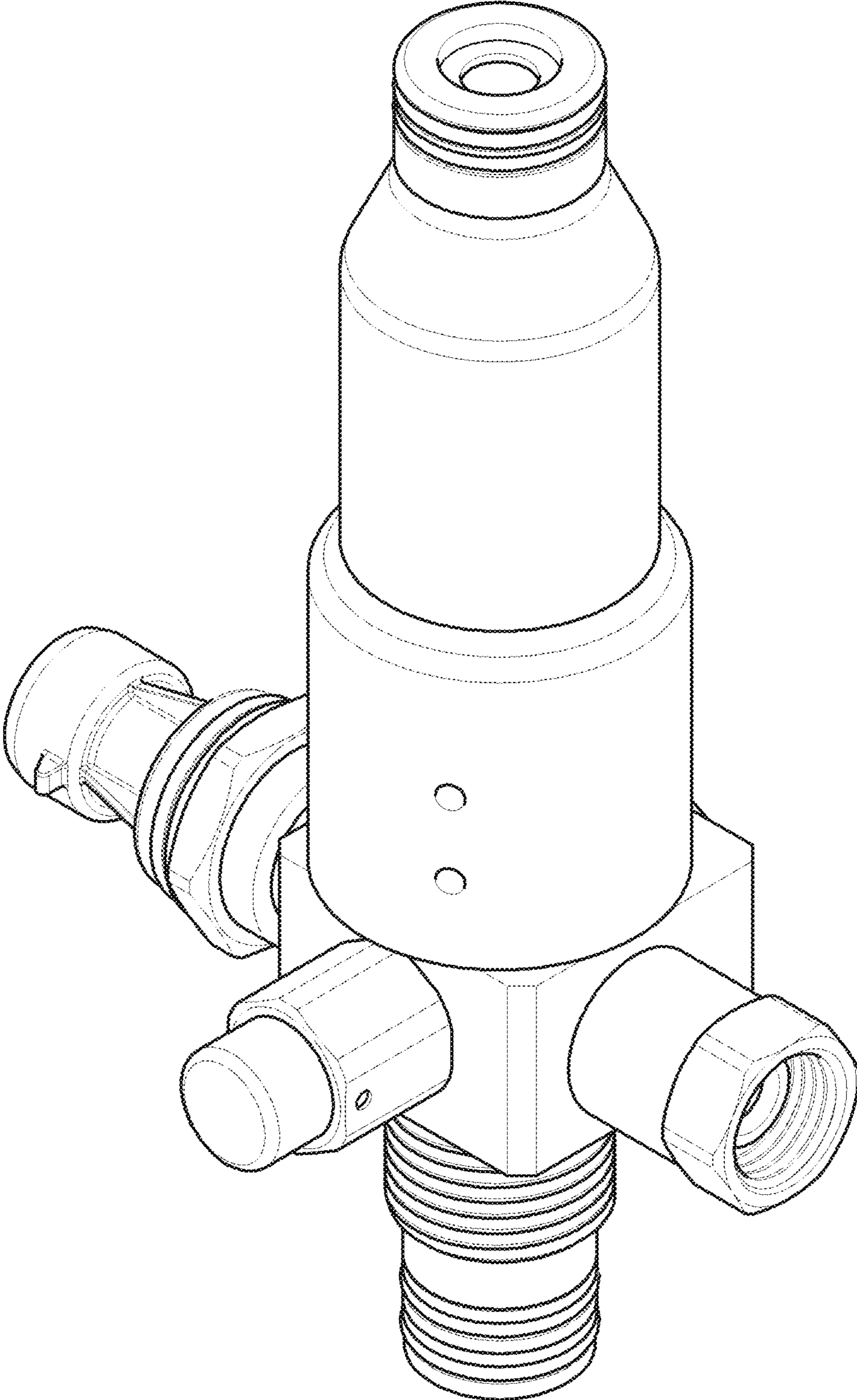


Fig. 2

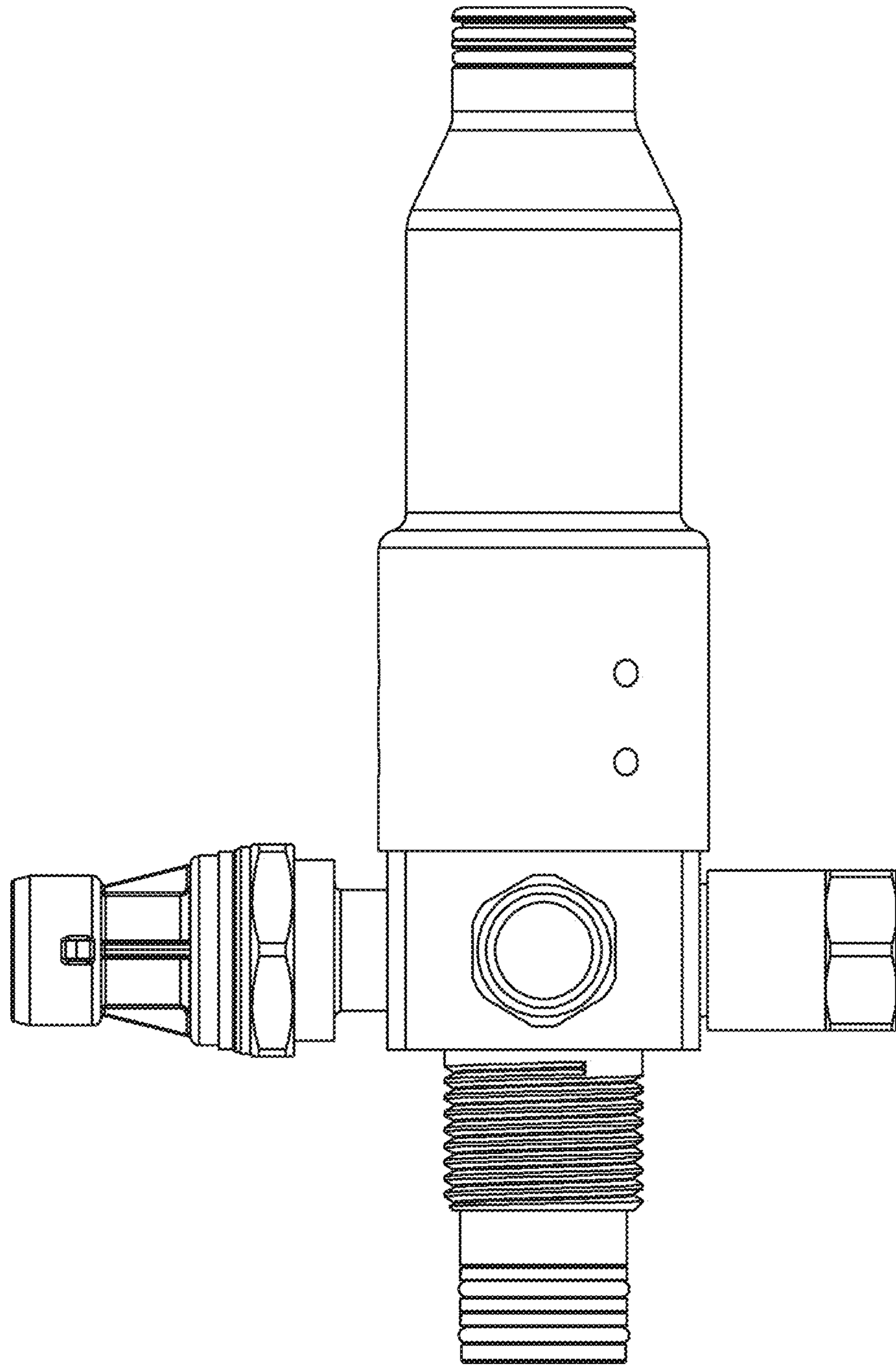


Fig. 3

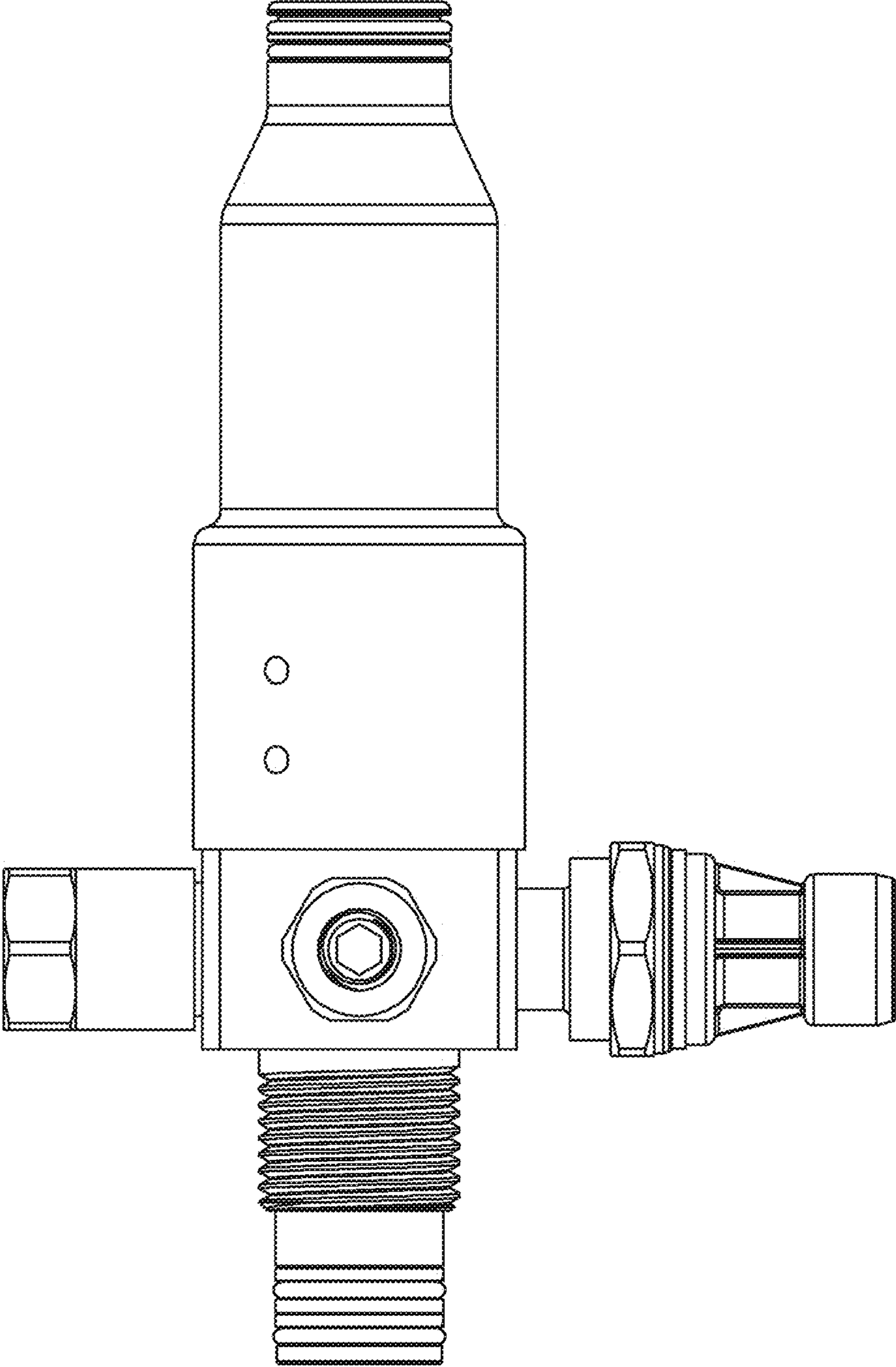


Fig. 4

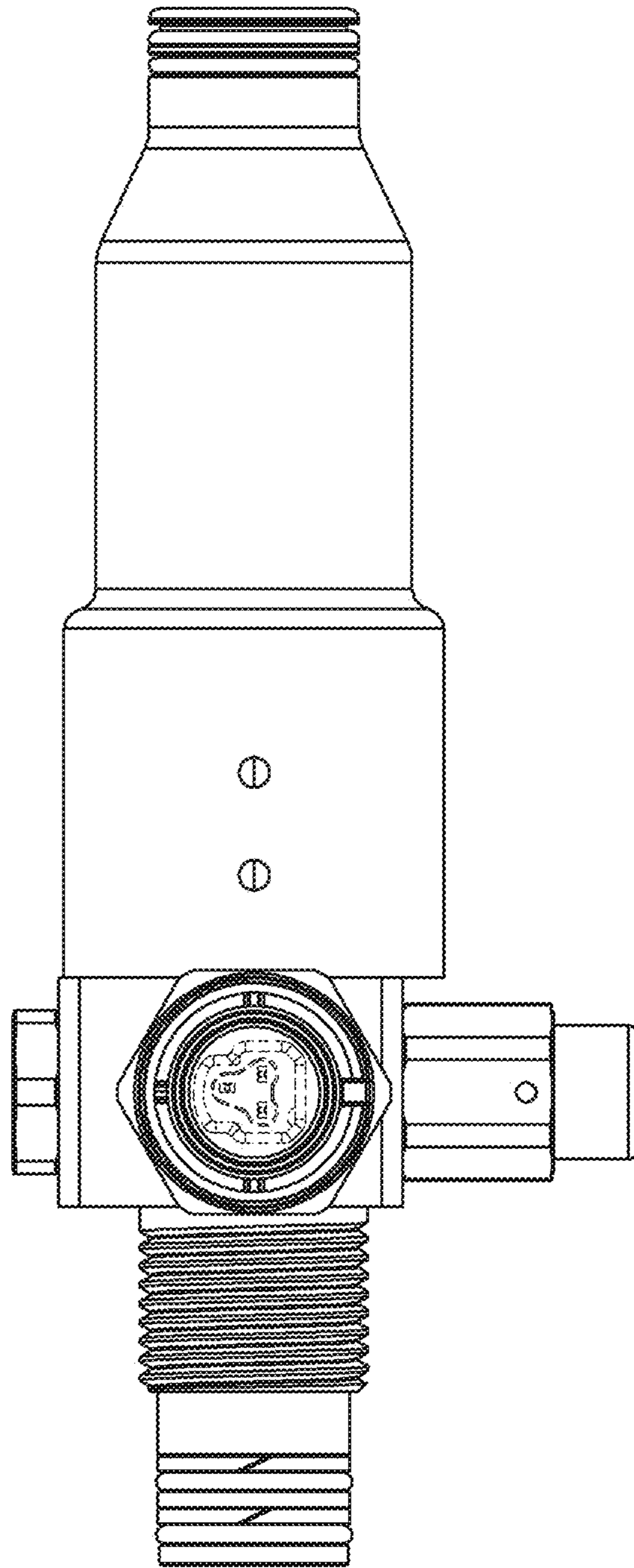


Fig. 5

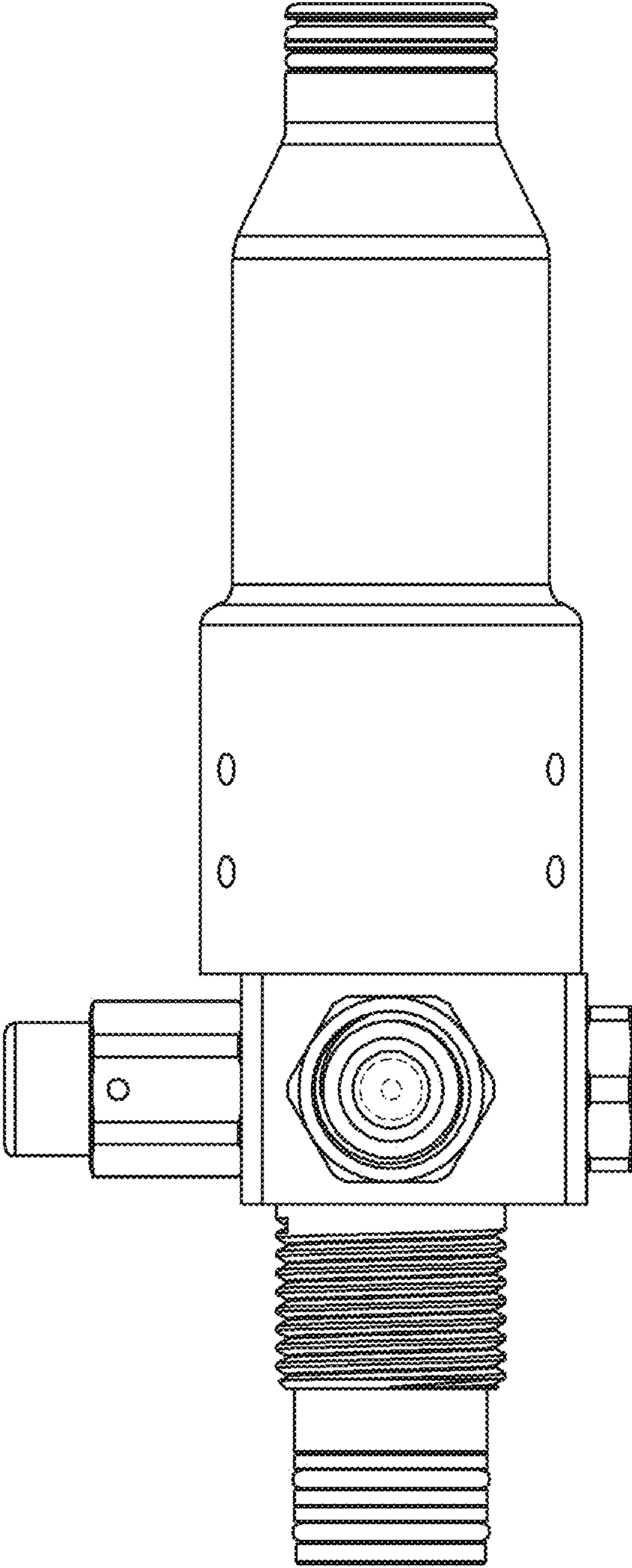


Fig. 6

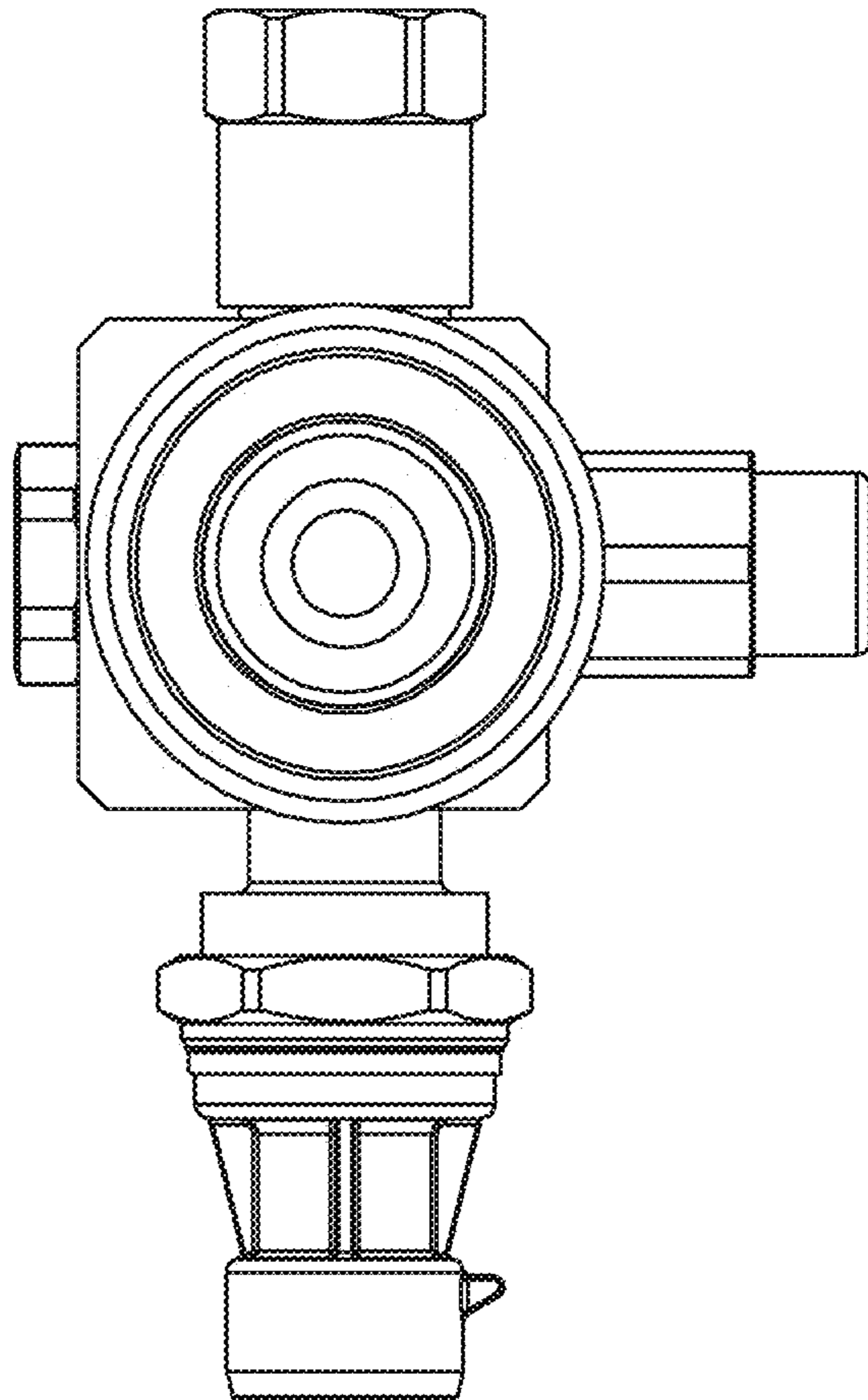


Fig. 7

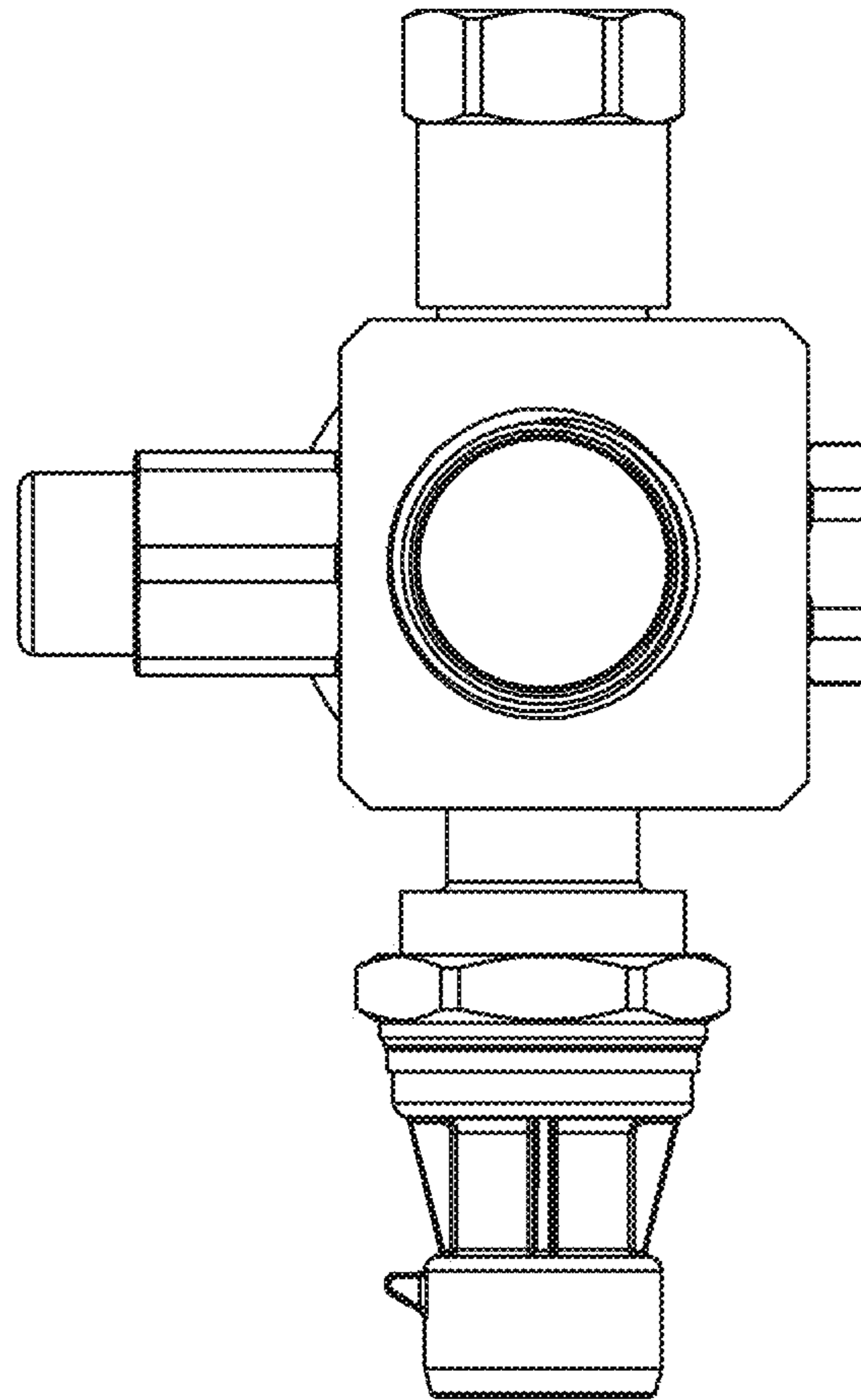


Fig. 8

