



US00D928287S

(12) **United States Design Patent**
Svendsen et al.

(10) **Patent No.:** **US D928,287 S**

(45) **Date of Patent:** **** Aug. 17, 2021**

(54) **NOZZLE**

(71) Applicant: **MELNOR, INC.**, Winchester, VA (US)

(72) Inventors: **Sean Wesley Svendsen**, Columbus, OH (US); **Donald Collins Meves**, Columbus, OH (US); **Eric James Fickas**, Plain City, OH (US)

(73) Assignee: **Melnor, Inc.**, Winchester, VA (US)

(**) Term: **15 Years**

(21) Appl. No.: **29/718,888**

(22) Filed: **Dec. 30, 2019**

Related U.S. Application Data

(62) Division of application No. 29/670,354, filed on Nov. 15, 2018, now Pat. No. Des. 874,612, which is a division of application No. 29/598,175, filed on Mar. 23, 2017, now Pat. No. Des. 839,992.

(51) **LOC (13) Cl.** **23-01**

(52) **U.S. Cl.**
USPC **D23/223**

(58) **Field of Classification Search**
USPC D23/226, 213, 223, 224
CPC B05B 1/12
See application file for complete search history.

(56) **References Cited**

U.S. PATENT DOCUMENTS

2,376,881 A * 5/1945 Nielsen A62C 31/02
239/441
3,150,829 A * 9/1964 Specht B05B 1/12
239/107
3,820,716 A * 6/1974 Bauer B05B 7/0425
239/589.1
4,903,897 A * 2/1990 Hayes B05B 1/1654
239/394
D314,609 S * 2/1991 Liaw D23/226

D325,620 S * 4/1992 Heren D23/223
D338,706 S * 8/1993 Wang D23/223
D340,762 S * 10/1993 Wang D23/226
D355,953 S 2/1995 Wang
D359,101 S * 6/1995 Kuo D23/223
D369,853 S * 5/1996 Wang D23/223
D370,713 S * 6/1996 Guo D23/223
D372,297 S * 7/1996 Wang D23/223
D373,813 S * 9/1996 Guo D23/223

(Continued)

OTHER PUBLICATIONS

Orbit 8-Pattern Pattern Nozzle posted to lowes.com. Available date: Feb. 16, 2015 [site visited May 17, 2021] Available: <<https://www.lowes.com/pd/Orbit-Max-8-Pattern-Nozzle/1000188693>> (Year: 2015).*

(Continued)

Primary Examiner — Kevin K Rudzinski

(74) *Attorney, Agent, or Firm* — HEA Law PLLC; Darrin A. Auito

(57)

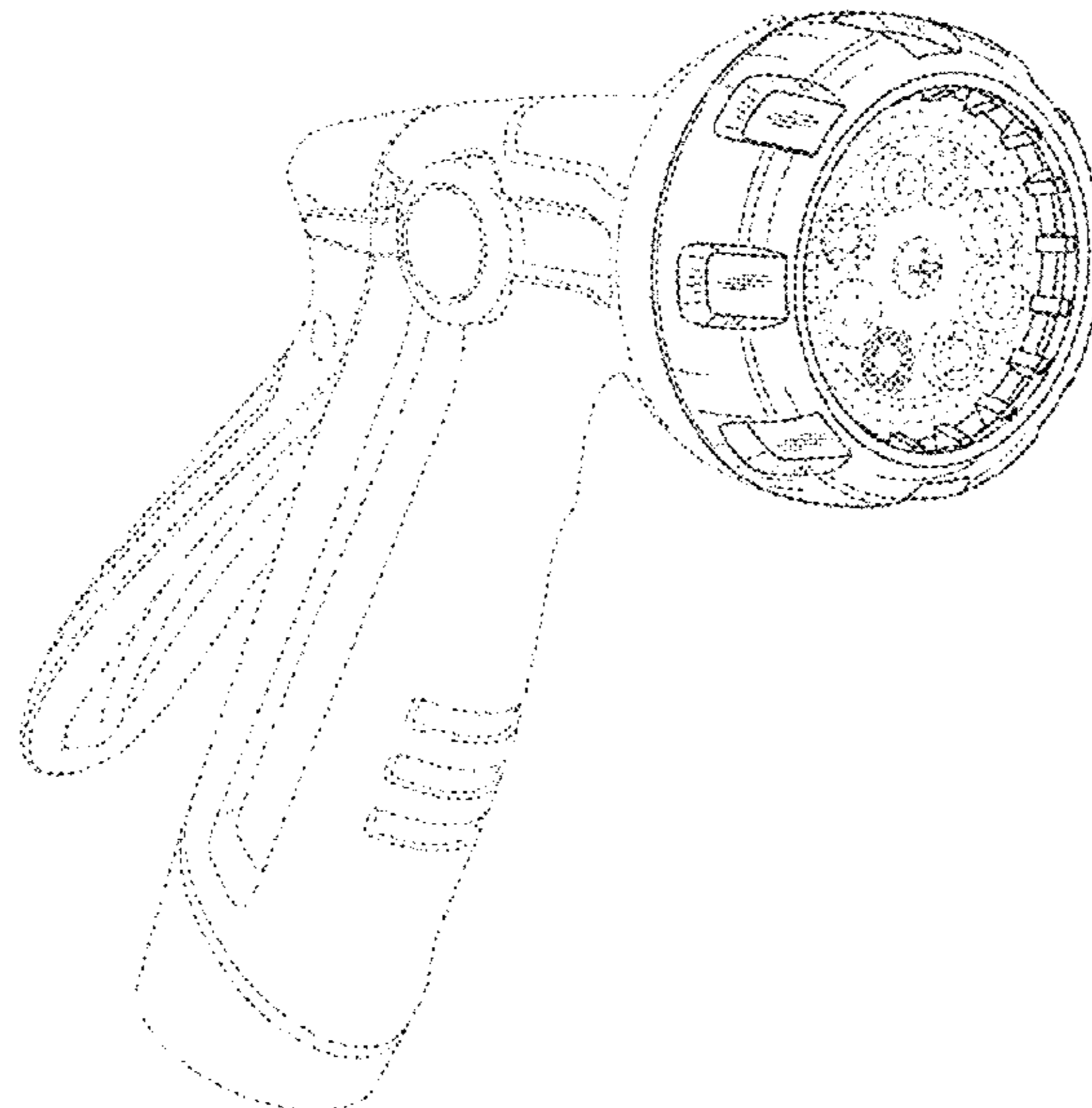
CLAIM

The ornamental design for a nozzle, as shown and described.

DESCRIPTION

FIG. 1 is a rear perspective view of a nozzle, showing our new design;
FIG. 2 is a front elevational view thereof;
FIG. 3 is a rear elevational view thereof;
FIG. 4 is a right side elevational view thereof;
FIG. 5 is a left side elevational view thereof;
FIG. 6 is a top plan view thereof;
FIG. 7 is a bottom plan view thereof; and,
FIG. 8 is a front perspective view thereof.
The broken line showing of portions of the nozzle is for the purpose of illustrating environmental structure and forms no part of the claimed design.

1 Claim, 6 Drawing Sheets



(56)

References Cited

U.S. PATENT DOCUMENTS

- D373,814 S * 9/1996 Wang D23/223
D387,128 S * 12/1997 Wang D23/223
5,806,770 A * 9/1998 Wang B05B 1/1681
239/391
D407,140 S * 3/1999 Heren D23/223
D408,496 S 4/1999 Wang
D408,497 S 4/1999 Wang
D408,498 S * 4/1999 Wang D23/226
D408,890 S * 4/1999 Wang D23/226
D409,720 S 5/1999 Guo
D415,557 S * 10/1999 Kuo D23/226
D417,256 S * 11/1999 Kuo D23/226
D422,054 S * 3/2000 Hsin-Fa D23/226
D431,069 S 9/2000 Heren
D431,280 S 9/2000 Kuo
D446,282 S * 8/2001 Wang D23/226
D446,283 S * 8/2001 Wang D23/226
D447,217 S * 8/2001 Jacobs D23/226
6,279,839 B1 * 8/2001 Chang B05B 1/3046
239/391
D447,539 S * 9/2001 Tse D23/226
D447,790 S * 9/2001 Heren D23/226
D449,671 S * 10/2001 Wang D23/226
D451,981 S * 12/2001 Erickson D23/226
D451,982 S * 12/2001 Chao D23/226
D454,619 S 3/2002 Wang
D458,984 S * 6/2002 Chen D23/226
D461,227 S 8/2002 Guo
D461,228 S * 8/2002 Huang D23/223
D465,550 S * 11/2002 Wang D23/226
D467,993 S * 12/2002 Chen D23/226
D468,396 S * 1/2003 Chen D23/226
D468,802 S * 1/2003 Nien D23/226
D471,618 S * 3/2003 Nien D23/226
D475,122 S 5/2003 Kuo
D475,435 S * 6/2003 Chen D23/223
D475,762 S 6/2003 Kuo
D475,763 S 6/2003 Kuo
D479,575 S * 9/2003 Chen D23/226
6,644,625 B1 11/2003 Jacobs et al.
D486,555 S * 2/2004 Chen D23/223
D501,537 S * 2/2005 Zeng D23/226
D502,533 S * 3/2005 Chen D23/223
D503,456 S * 3/2005 Chen D23/223
D503,457 S * 3/2005 Chen D23/223
6,988,678 B1 * 1/2006 Chen B05B 1/3013
239/525
D517,645 S 3/2006 Chang
D522,088 S * 5/2006 Roman D23/223
7,124,965 B1 * 10/2006 Chen A62C 31/02
239/525
D534,241 S * 12/2006 Wang D23/226
7,195,181 B2 * 3/2007 Steingass B05B 1/304
169/14
7,240,858 B2 * 7/2007 Wang B05B 1/3013
239/526
D548,392 S * 8/2007 Lo D23/226
7,258,285 B1 * 8/2007 Combs A62C 31/03
239/546
D553,712 S * 10/2007 Chih D23/226
D553,713 S * 10/2007 Chih D23/226
D554,231 S * 10/2007 Chih D23/213
D554,233 S 10/2007 Chih
D554,234 S * 10/2007 Chih D23/226
D557,767 S * 12/2007 Chih D23/226
D557,769 S 12/2007 Chih
D558,302 S * 12/2007 Chih D23/226
D558,858 S * 1/2008 Chih D23/226
D559,353 S * 1/2008 Chih D23/226
D559,354 S * 1/2008 Chih D23/226
7,328,860 B1 * 2/2008 Chen B05B 1/3026
137/625.31
D564,065 S * 3/2008 Yu D23/223
D569,478 S * 5/2008 Cichy D23/223
D572,338 S * 7/2008 Hung D23/223
D576,252 S * 9/2008 Lo D23/223
D584,380 S * 1/2009 Cheng D23/223
D584,381 S * 1/2009 Hung D23/223
D585,109 S * 1/2009 Cheng D23/223
D592,731 S * 5/2009 Hung D23/223
D599,433 S * 9/2009 Zore D23/223
D599,884 S 9/2009 Zore
D604,390 S * 11/2009 Cheng D23/223
D604,395 S * 11/2009 Zore D23/226
D605,251 S 12/2009 Zore
D606,625 S 12/2009 Zore
D606,626 S * 12/2009 Zore D23/226
D614,729 S * 4/2010 Cheng D23/223
D636,058 S * 4/2011 Hung D23/223
D650,044 S * 12/2011 Nies D23/223
D650,045 S * 12/2011 Nies D23/223
D677,362 S * 3/2013 Christopher D23/223
D678,980 S 3/2013 Nies et al.
D681,777 S * 5/2013 Nies D23/226
8,496,190 B2 * 7/2013 Chen B05B 1/3026
239/394
D694,360 S * 11/2013 Gaetano D23/223
D702,319 S * 4/2014 Mammen D23/223
D704,801 S * 5/2014 Chen D23/223
D705,898 S * 5/2014 Chen D23/223
D714,423 S 9/2014 Mammen et al.
D714,908 S * 10/2014 Mammen D23/226
D726,872 S * 4/2015 Thurgood D23/223
9,073,075 B2 * 7/2015 Chen B05B 1/3026
D736,349 S * 8/2015 Wojan D23/223
D736,350 S * 8/2015 Cheng D23/226
D746,945 S * 1/2016 Naslund D23/223
D746,946 S * 1/2016 Naslund D23/223
D746,947 S * 1/2016 Naslund D23/223
D748,758 S 2/2016 Duong et al.
D749,696 S * 2/2016 Thurgood D23/223
D760,349 S * 6/2016 Chen D23/223
9,427,760 B2 * 8/2016 Chiu B05B 15/652
D766,400 S 9/2016 Chen
D767,091 S * 9/2016 Chen D23/223
D767,094 S * 9/2016 Chen D23/223
D767,096 S * 9/2016 Chen D23/226
D768,817 S * 10/2016 Chen D23/223
D769,415 S 10/2016 Chen
D770,017 S 10/2016 Chen
D771,773 S * 11/2016 Chen D23/223
D771,774 S * 11/2016 Chen D23/223
D771,775 S * 11/2016 Chen D23/223
D774,164 S 12/2016 Chen
D779,035 S * 2/2017 Chen D23/223
D779,036 S * 2/2017 Chen D23/223
D779,040 S 2/2017 Chen
D779,041 S 2/2017 Chen
D779,634 S 2/2017 Chen
D780,293 S 2/2017 Chen
D780,294 S * 2/2017 Chen D23/226
D782,005 S * 3/2017 Naslund D23/223
D782,007 S * 3/2017 Naslund D23/226
D782,008 S * 3/2017 Naslund D23/226
D783,123 S 4/2017 Chen
D783,125 S 4/2017 Chen
D792,555 S * 7/2017 Hung D23/223
D792,944 S * 7/2017 Cheng D23/224
D792,947 S * 7/2017 Hung D23/226
D799,001 S * 10/2017 Gooden D23/213
D799,002 S * 10/2017 Gooden D23/213
D799,005 S * 10/2017 Wojan D23/223
D799,007 S * 10/2017 Cheng D23/223
D800,254 S 10/2017 Chen
D800,255 S 10/2017 Chen
D802,092 S * 11/2017 Naslund D23/223
D808,499 S * 1/2018 Naslund D23/213
9,895,703 B1 * 2/2018 Hsieh B05B 1/3026
D820,953 S * 6/2018 Chen D23/223
D824,486 S * 7/2018 Urry D23/223
D824,487 S * 7/2018 Montoya D23/223
D824,488 S 7/2018 Montoya et al.
D824,489 S 7/2018 Montoya et al.

(56)

References Cited

U.S. PATENT DOCUMENTS

D824,490 S * 7/2018 Montoya D23/223
 D824,491 S * 7/2018 Montoya D23/223
 D825,716 S * 8/2018 Helmsderfer D23/223
 D838,340 S * 1/2019 Svendsen D23/223
 D838,341 S 1/2019 Svendsen et al.
 D838,809 S * 1/2019 Svendsen D23/223
 D839,384 S * 1/2019 Svendsen D23/213
 D839,992 S 2/2019 Svendsen et al.
 D846,074 S 4/2019 Pease et al.
 D846,695 S * 4/2019 Pease D23/223
 D849,889 S * 5/2019 Pease D23/226
 D851,209 S * 6/2019 Cheng D23/223
 D855,758 S * 8/2019 Chen D23/223
 10,610,879 B2 * 4/2020 Duong B05B 1/1654
 D892,271 S * 8/2020 Urry D23/223
 D917,666 S * 4/2021 Urry D23/226
 2005/0237742 A1 * 10/2005 Wang B05B 15/00
 362/253

2007/0095944 A1 * 5/2007 Chih B05B 15/628
 239/394
 2010/0282870 A1 * 11/2010 Chen B25G 3/20
 239/525
 2013/0015271 A1 * 1/2013 Chen B05B 1/3013
 239/526
 2014/0054399 A1 * 2/2014 Hsieh B05B 1/3026
 239/526
 2015/0343467 A1 * 12/2015 Chen B05B 1/1654
 239/526
 2016/0263593 A1 * 9/2016 Keim B05B 1/30
 2018/0161795 A1 * 6/2018 Su B05B 1/30

OTHER PUBLICATIONS

THE 5 Best Garden Hose Nozzles posted to oakhillgardens.com.
 Available date: Aug. 4, 2017 [site visited May 17, 2021] Available:
 <<https://www.oakhillgardens.com/review/best-garden-hose-nozzles>> (Year: 2017).*

* cited by examiner

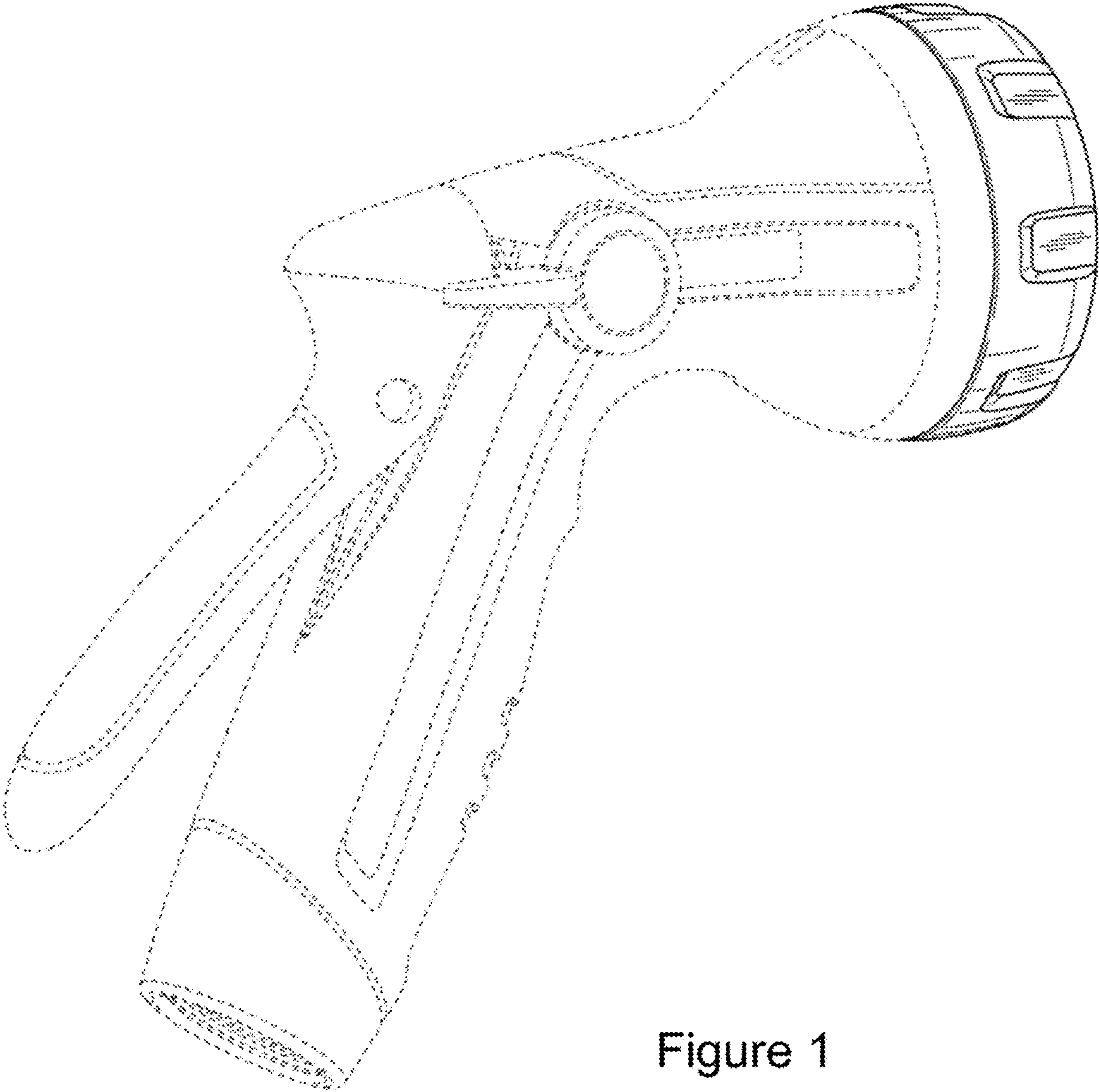


Figure 1

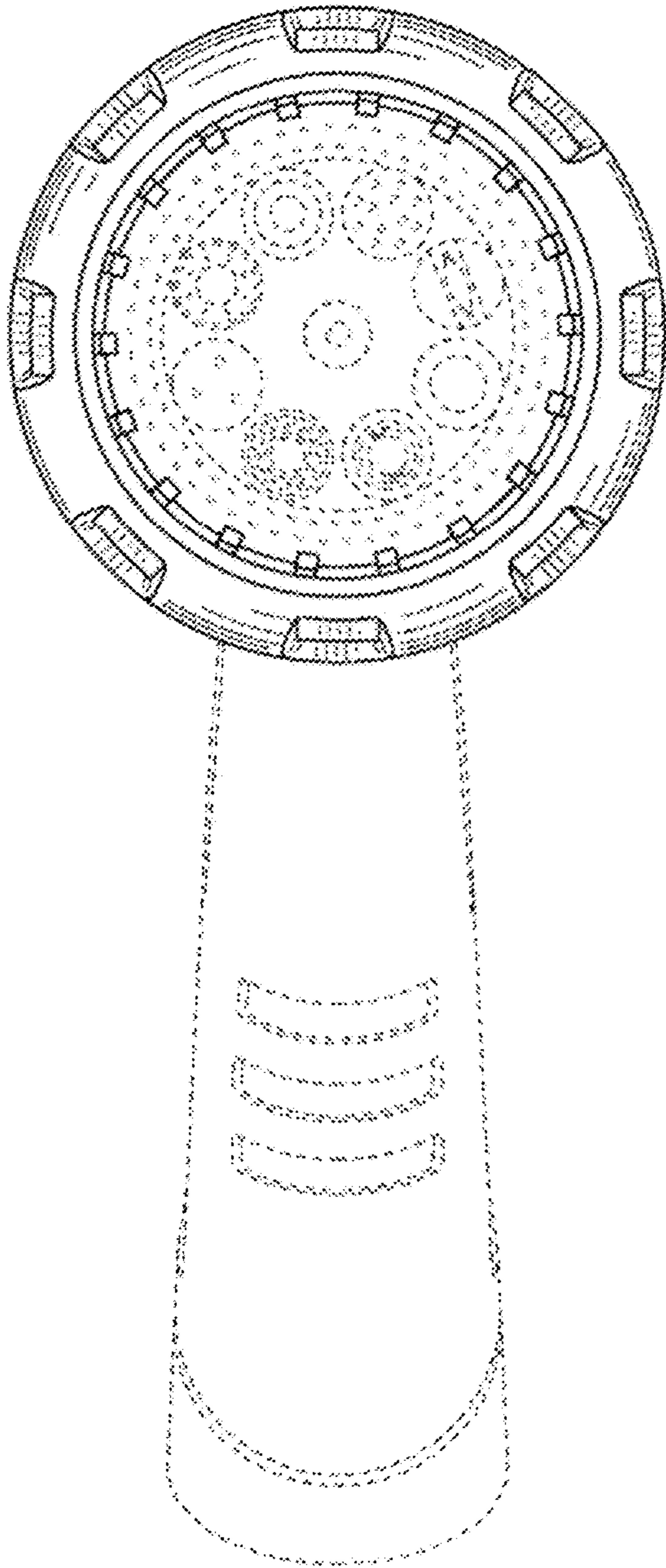


Figure 2

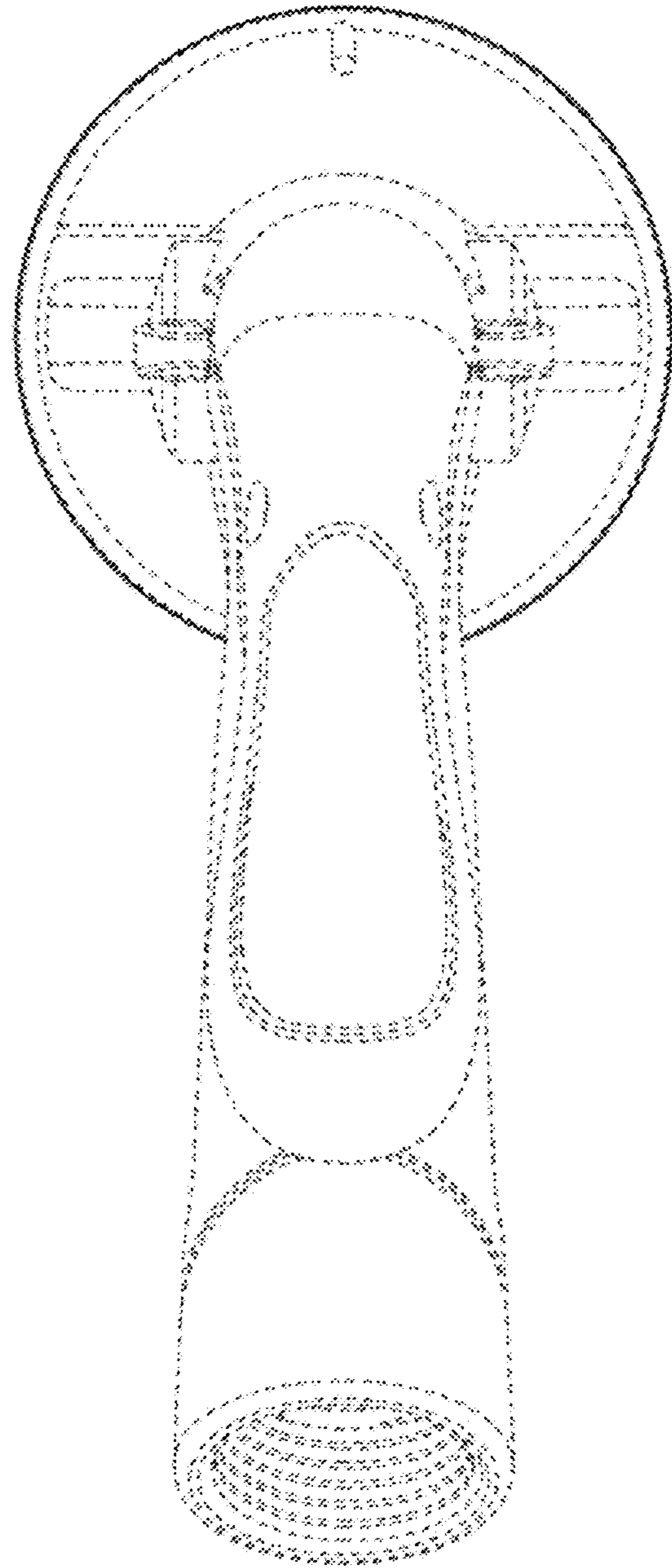


Figure 3

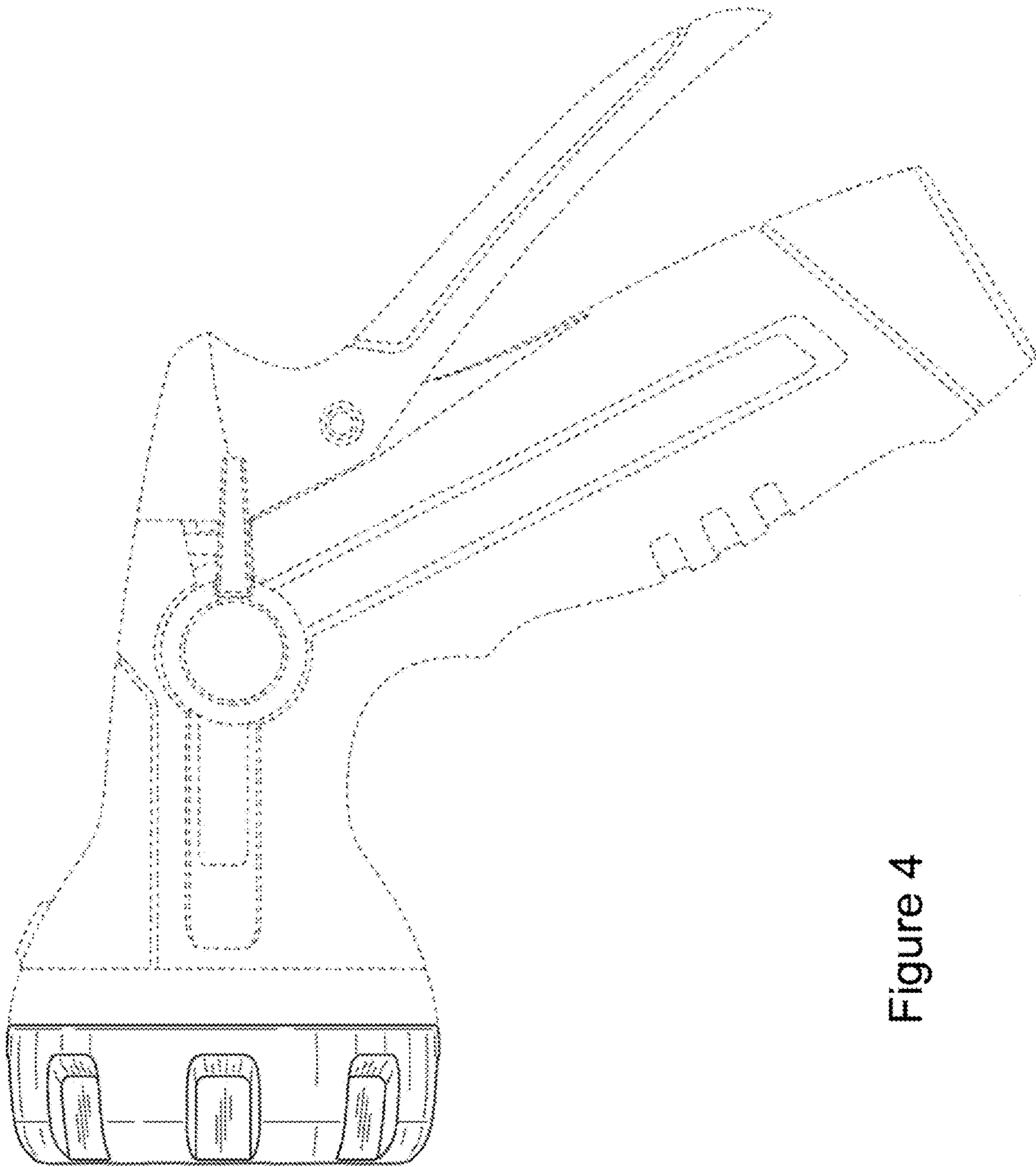


Figure 4

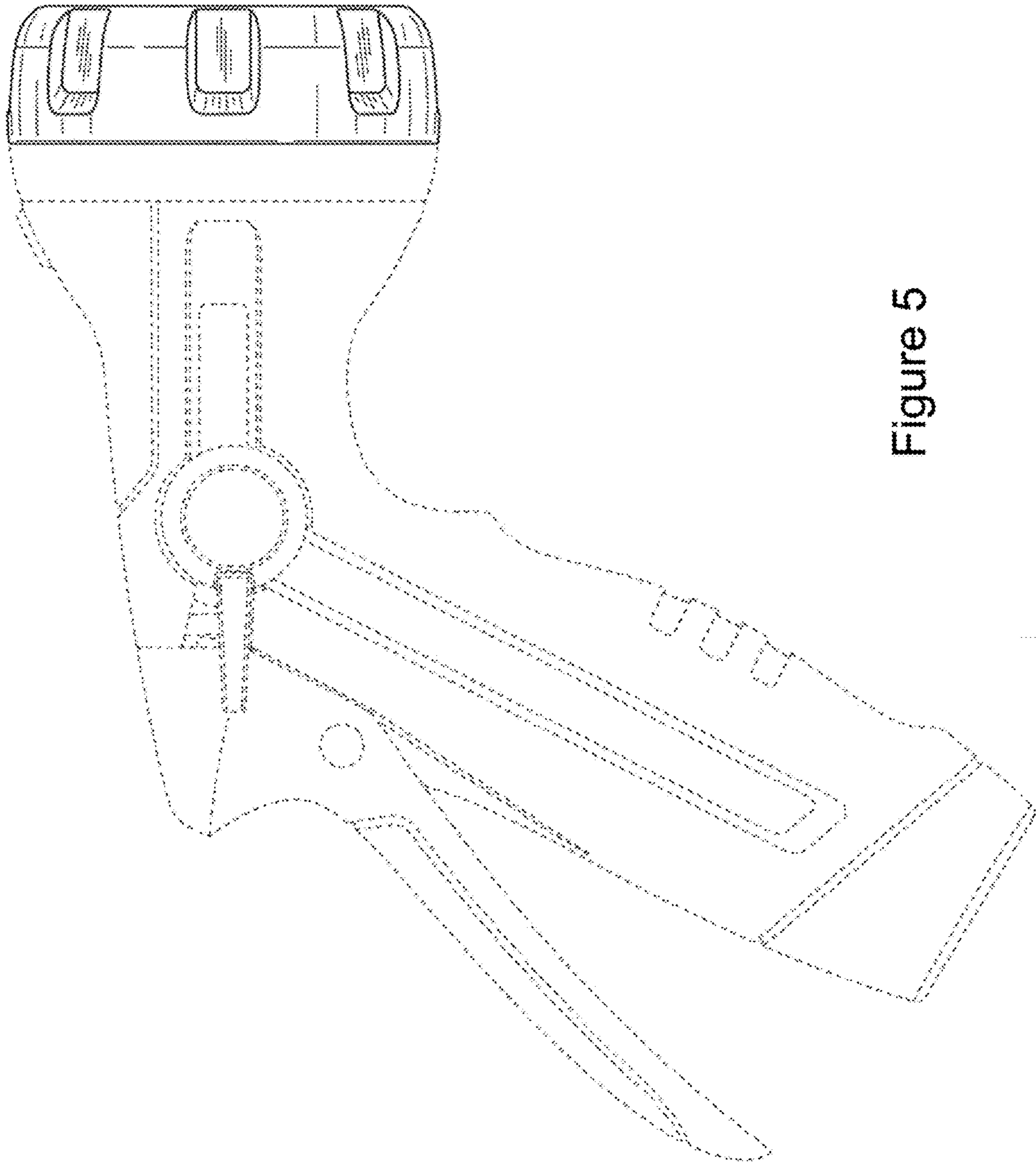


Figure 5

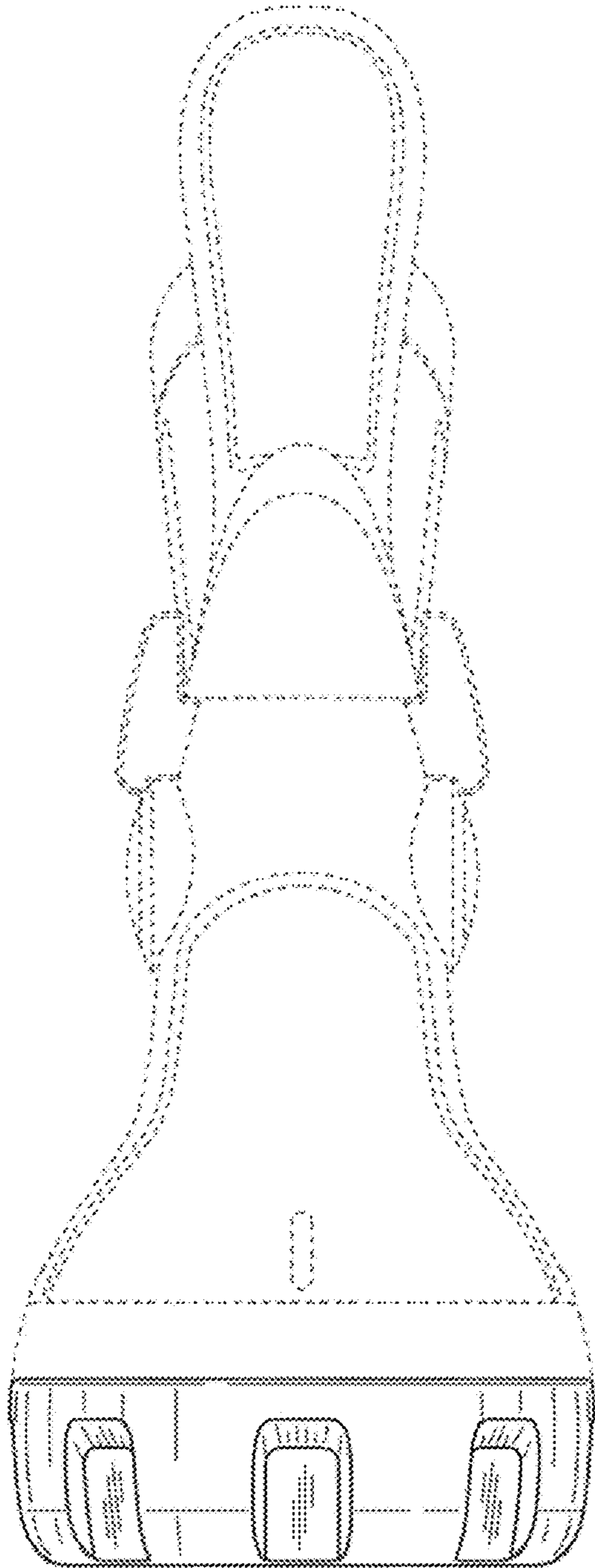


Figure 6

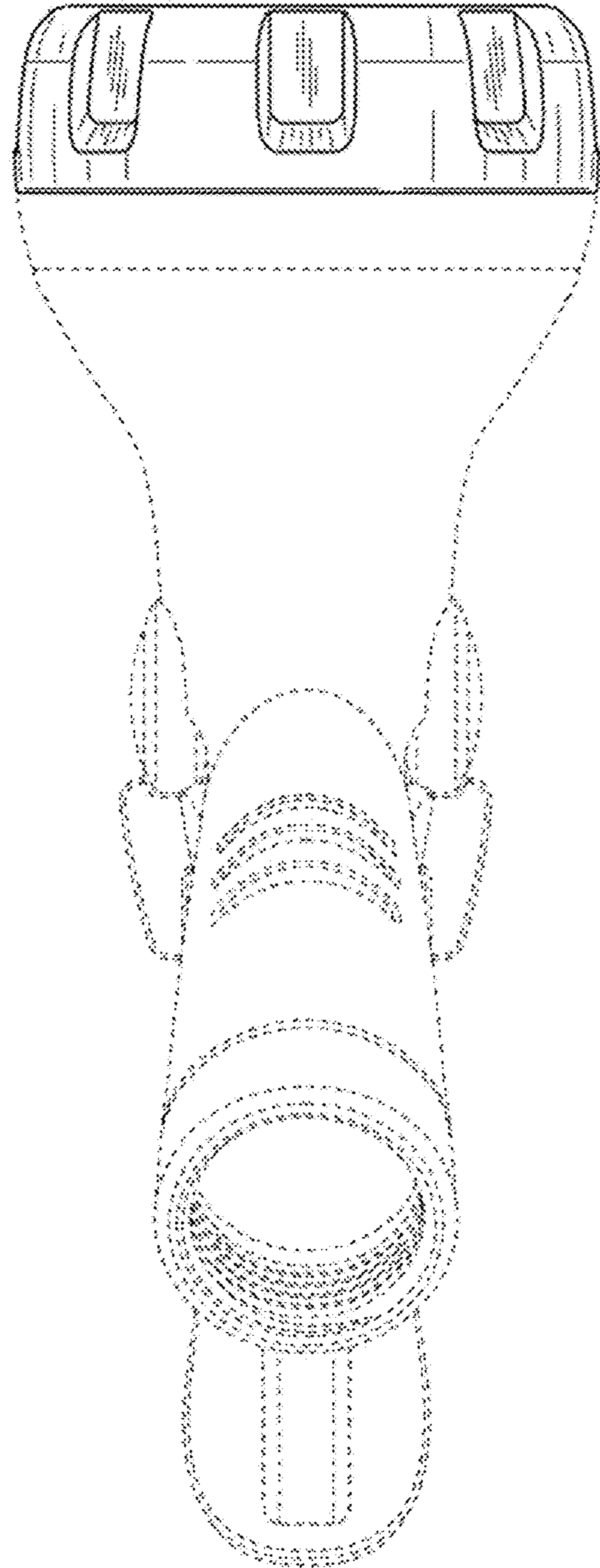


Figure 7

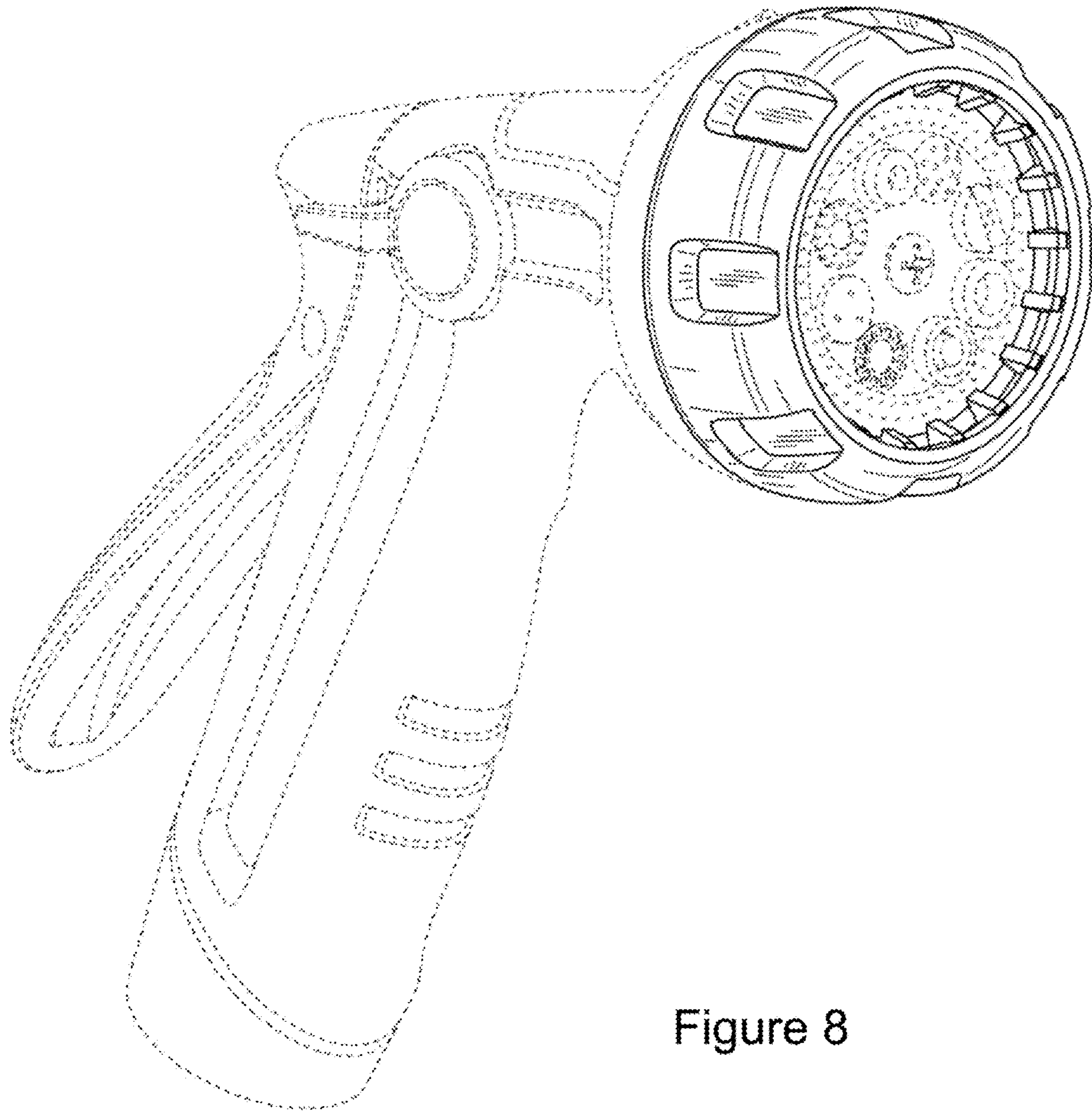


Figure 8