



US00D928286S

(12) **United States Design Patent** (10) **Patent No.:** **US D928,286 S**
Huang (45) **Date of Patent:** **** Aug. 17, 2021**

(54) **SPRINKLER TOY**
(71) Applicant: **Shenzhen Wanyu International Trade Co., Ltd., Shenzhen (CN)**
(72) Inventor: **Xubiao Huang, Shenzhen (CN)**
(**) Term: **15 Years**
(21) Appl. No.: **29/764,629**
(22) Filed: **Dec. 31, 2020**
(51) **LOC (13) Cl.** **23-01**
(52) **U.S. Cl.**
USPC **D23/214**
(58) **Field of Classification Search**
USPC D23/200, 201, 213, 214
CPC A01G 15/00; B05B 3/0463; B05B 1/16;
B05B 3/0431; B05B 3/0445
See application file for complete search history.

D437,386 S * 2/2001 Hui-Chen D23/214
D437,388 S * 2/2001 Hui-Chen D23/214
D607,064 S 12/2009 Thorsen
D651,662 S 1/2012 Monahan
D711,507 S * 8/2014 Smith D23/215
D736,335 S 8/2015 Liberatore
D776,765 S 1/2017 Weisman et al.
D787,617 S 5/2017 Krepack
D820,533 S * 6/2018 Huang D30/132
D872,195 S 1/2020 Jin
D900,268 S 10/2020 Zheng
2009/0266908 A1* 10/2009 Michelsen B05B 1/06
239/17

* cited by examiner

Primary Examiner — Karen S Acker
Assistant Examiner — Jonathan E Fiencke
(74) *Attorney, Agent, or Firm* — Runit Ranjit Kanakia

(57) **CLAIM**

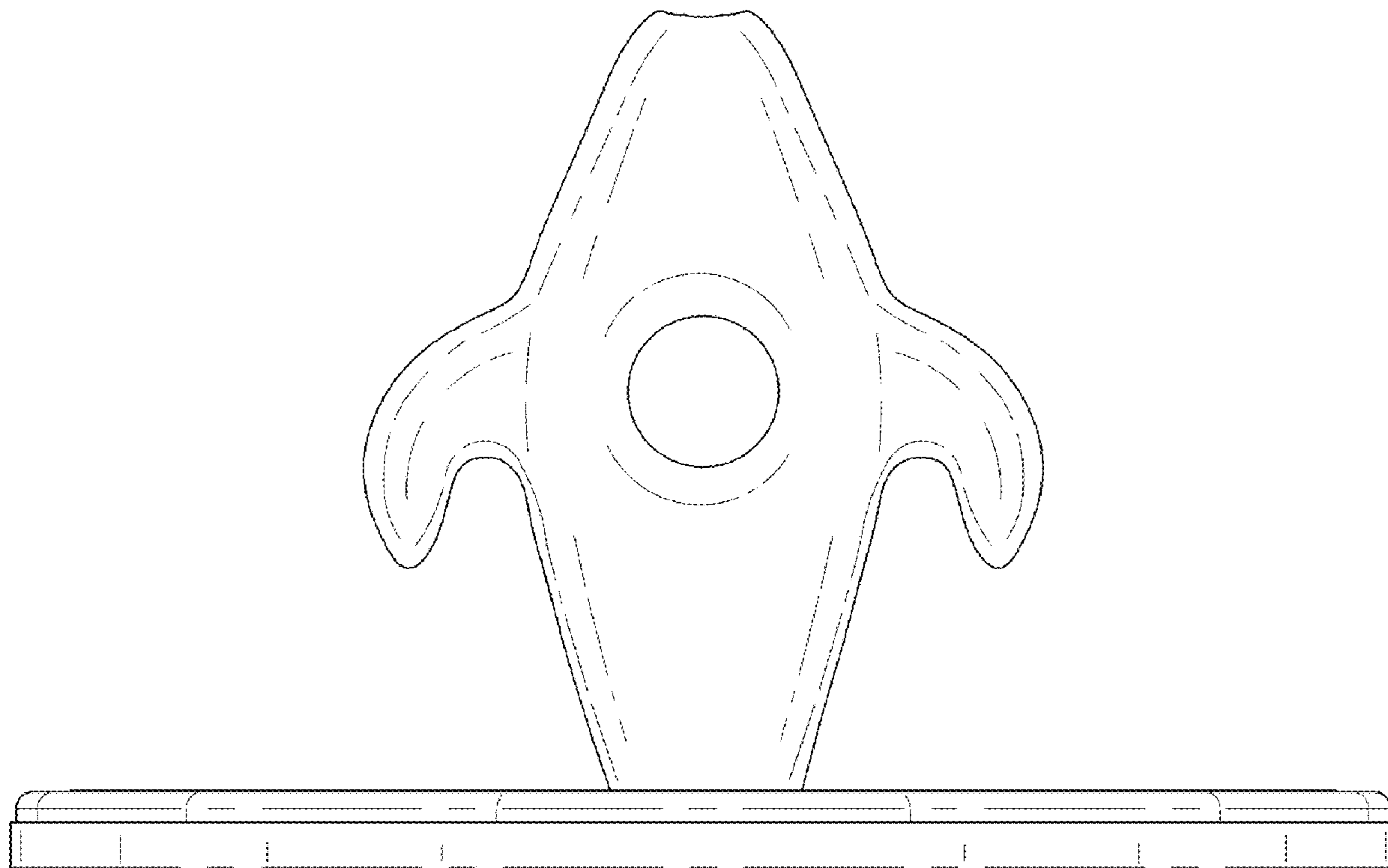
The ornamental design for a sprinkler toy, as shown and described.

DESCRIPTION

FIG. 1 is a front view of a sprinkler toy showing my new design;
FIG. 2 is a rear view thereof;
FIG. 3 is a left-hand-side view thereof;
FIG. 4 is a right-hand-side view thereof;
FIG. 5 is a top view thereof;
FIG. 6 is a bottom view thereof; and,
FIG. 7 is a perspective thereof.

1 Claim, 7 Drawing Sheets

(56) **References Cited**
U.S. PATENT DOCUMENTS
D265,578 S * 7/1982 Gillespie D21/603
5,337,956 A * 8/1994 Crutcher B05B 17/08
239/211
D359,078 S * 6/1995 Bro D21/474
D386,254 S * 11/1997 Lung-Ruey D23/215
D399,915 S * 10/1998 McEachen D23/214
D406,184 S * 2/1999 Aker D23/214
D436,651 S * 1/2001 Hui-Chen D23/214
D436,652 S * 1/2001 Hui-Chen D23/215



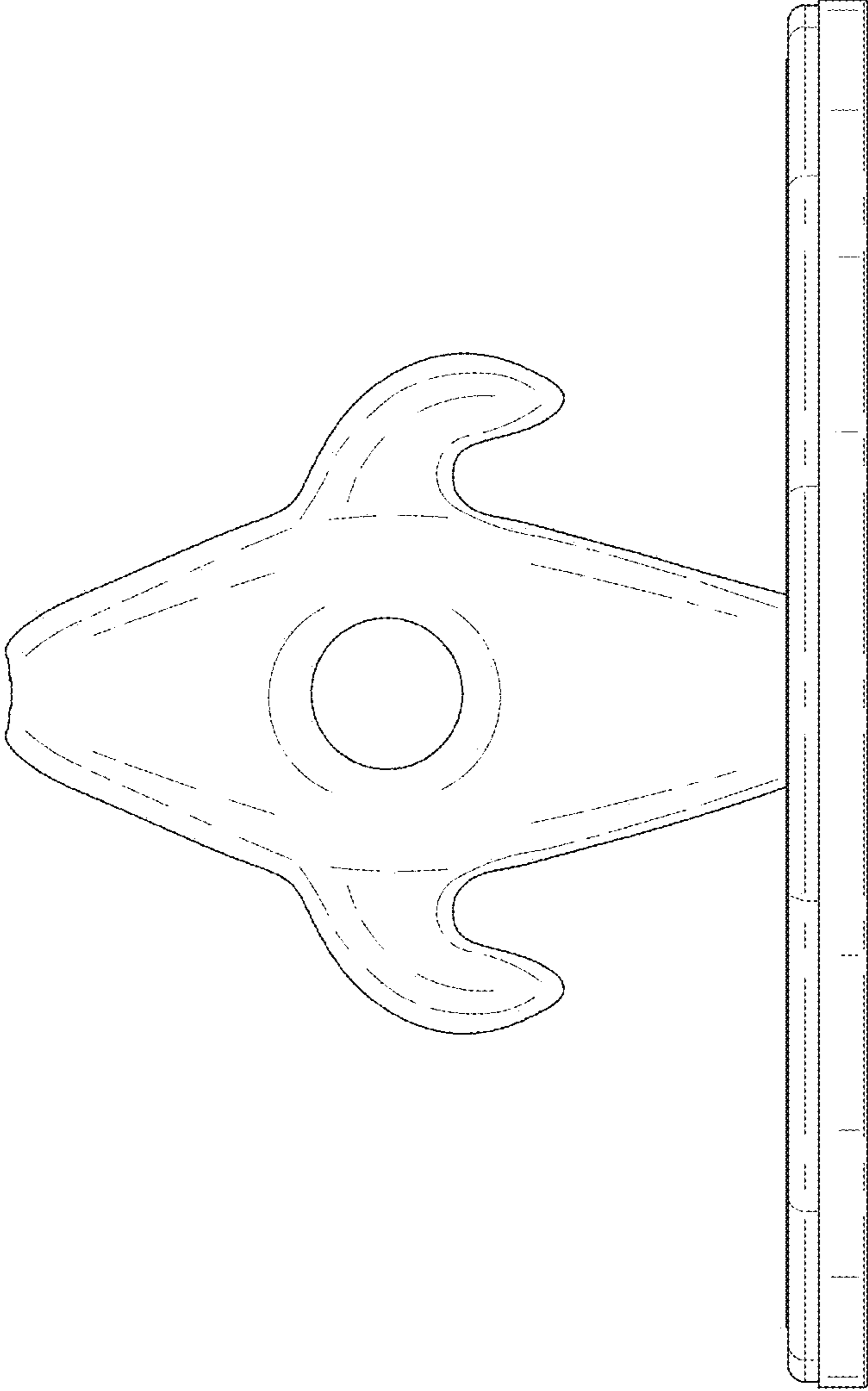


Fig. 1

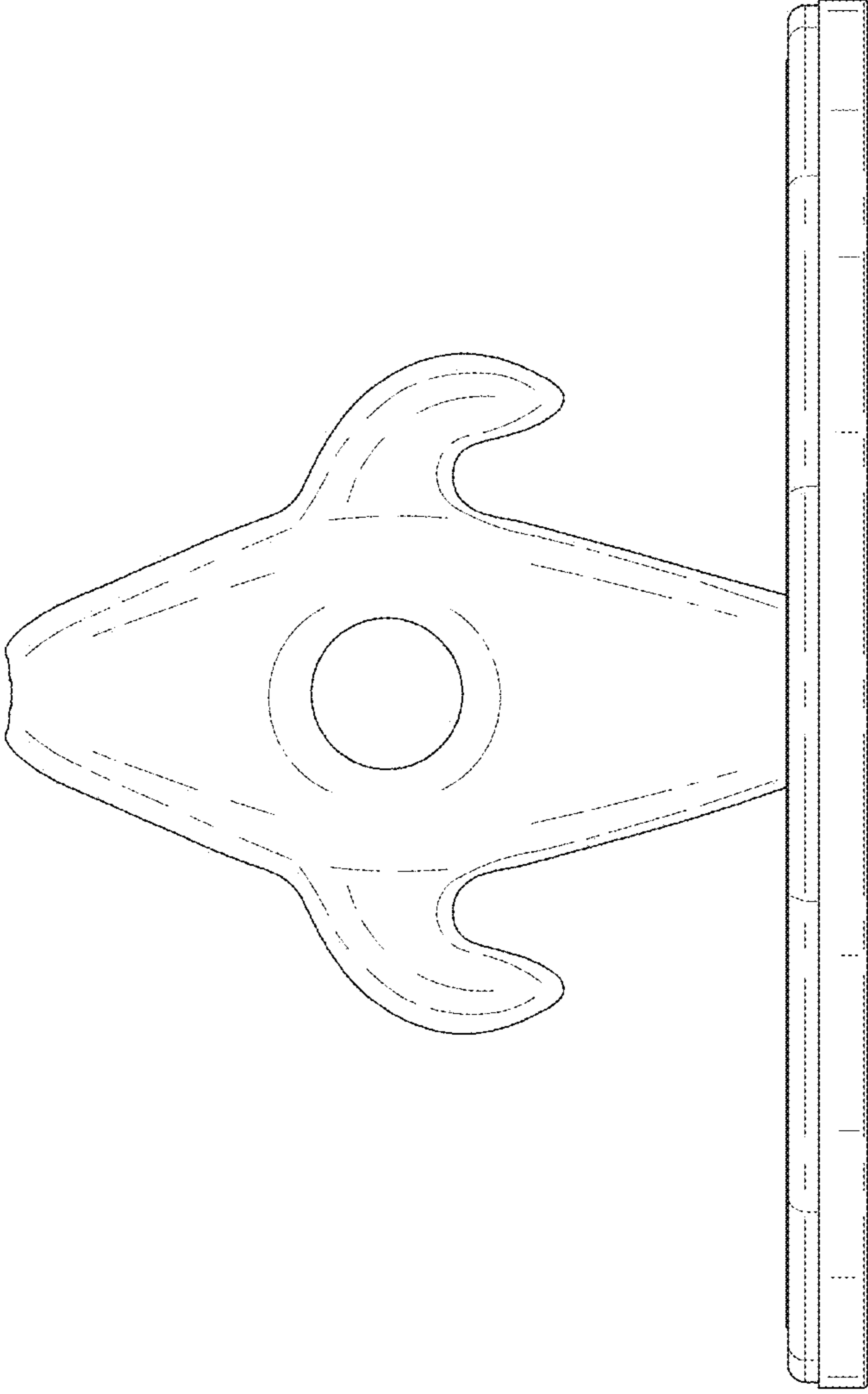


Fig. 2

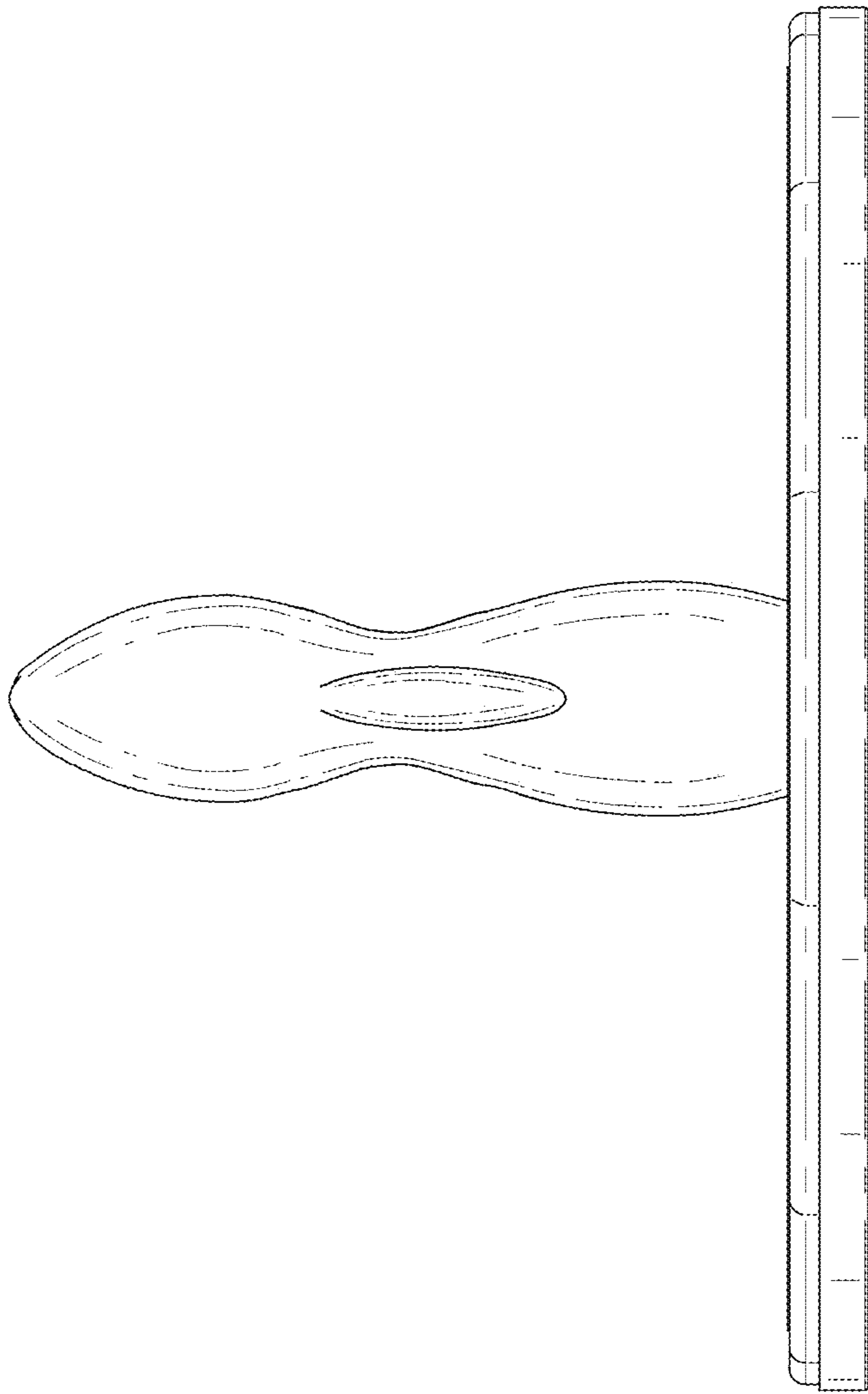


Fig. 3

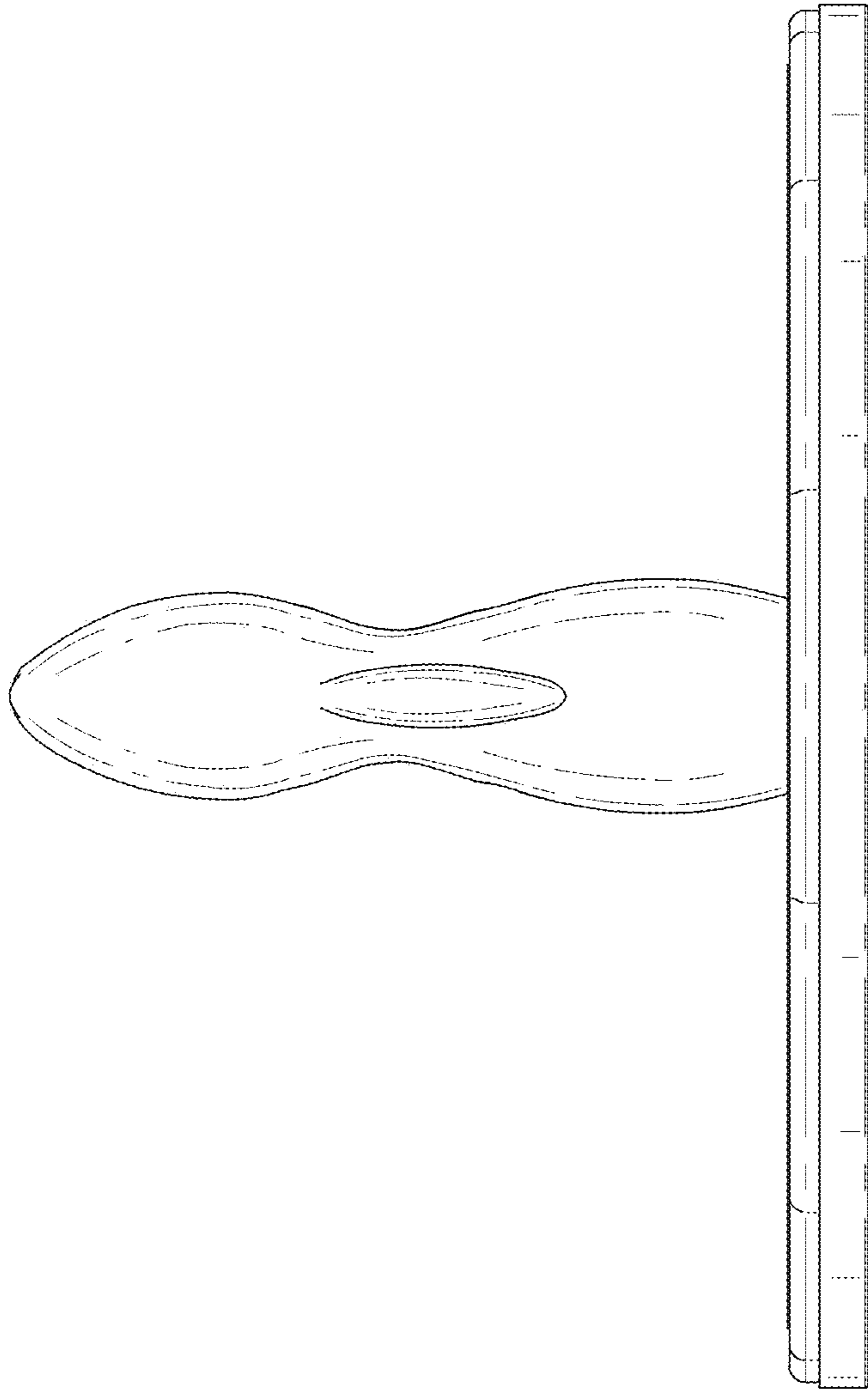


Fig. 4

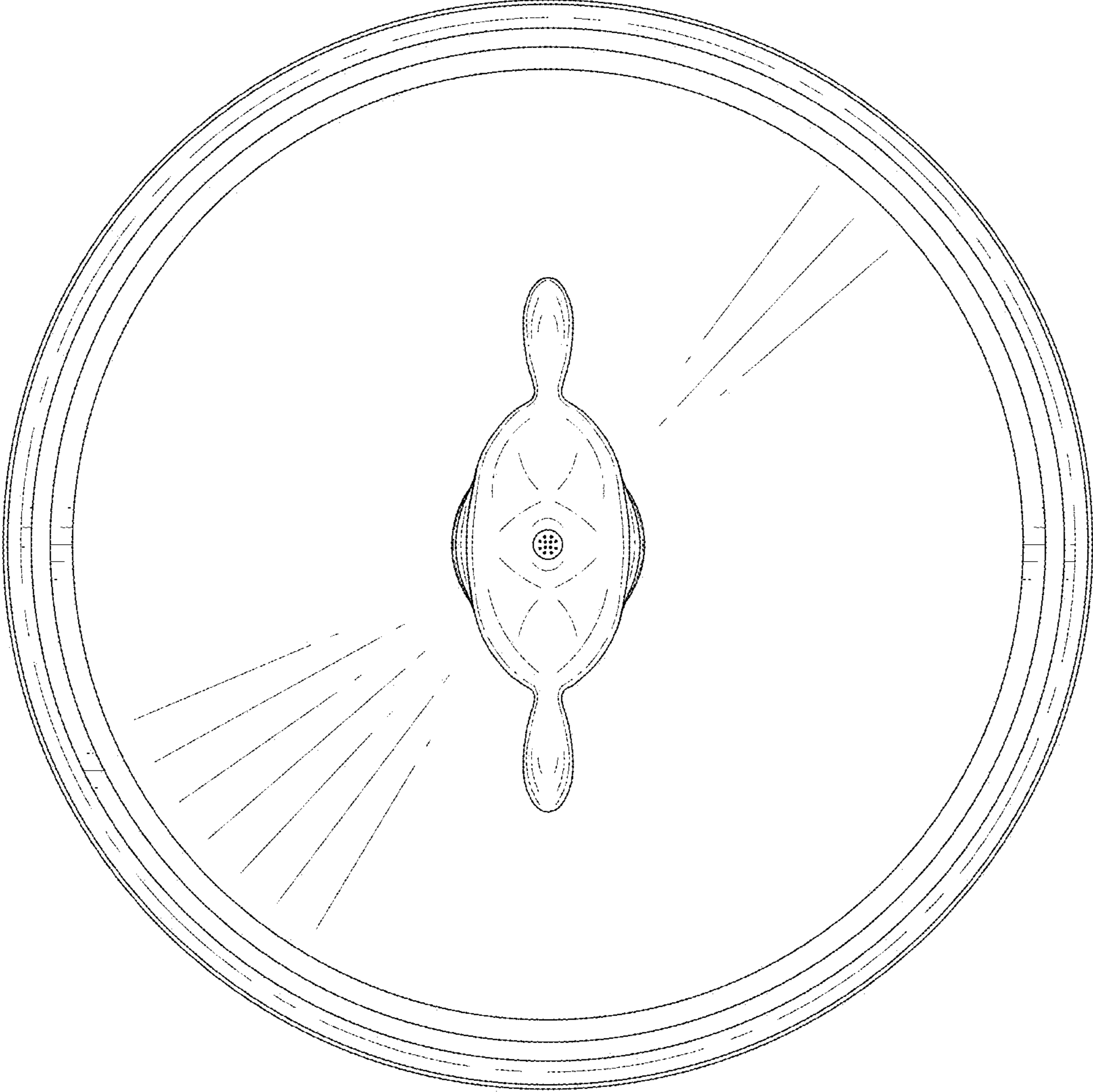


Fig. 5

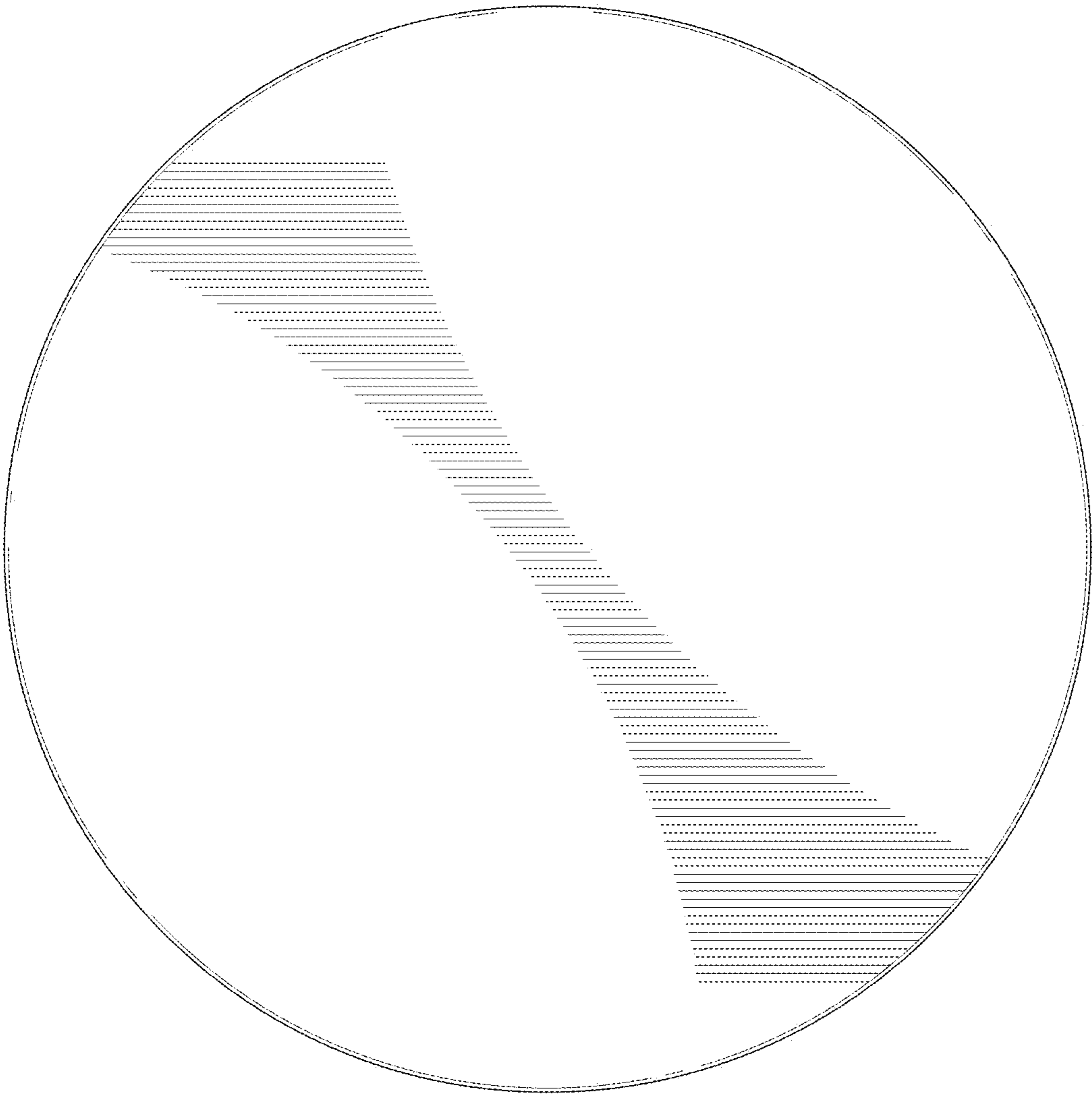


Fig. 6

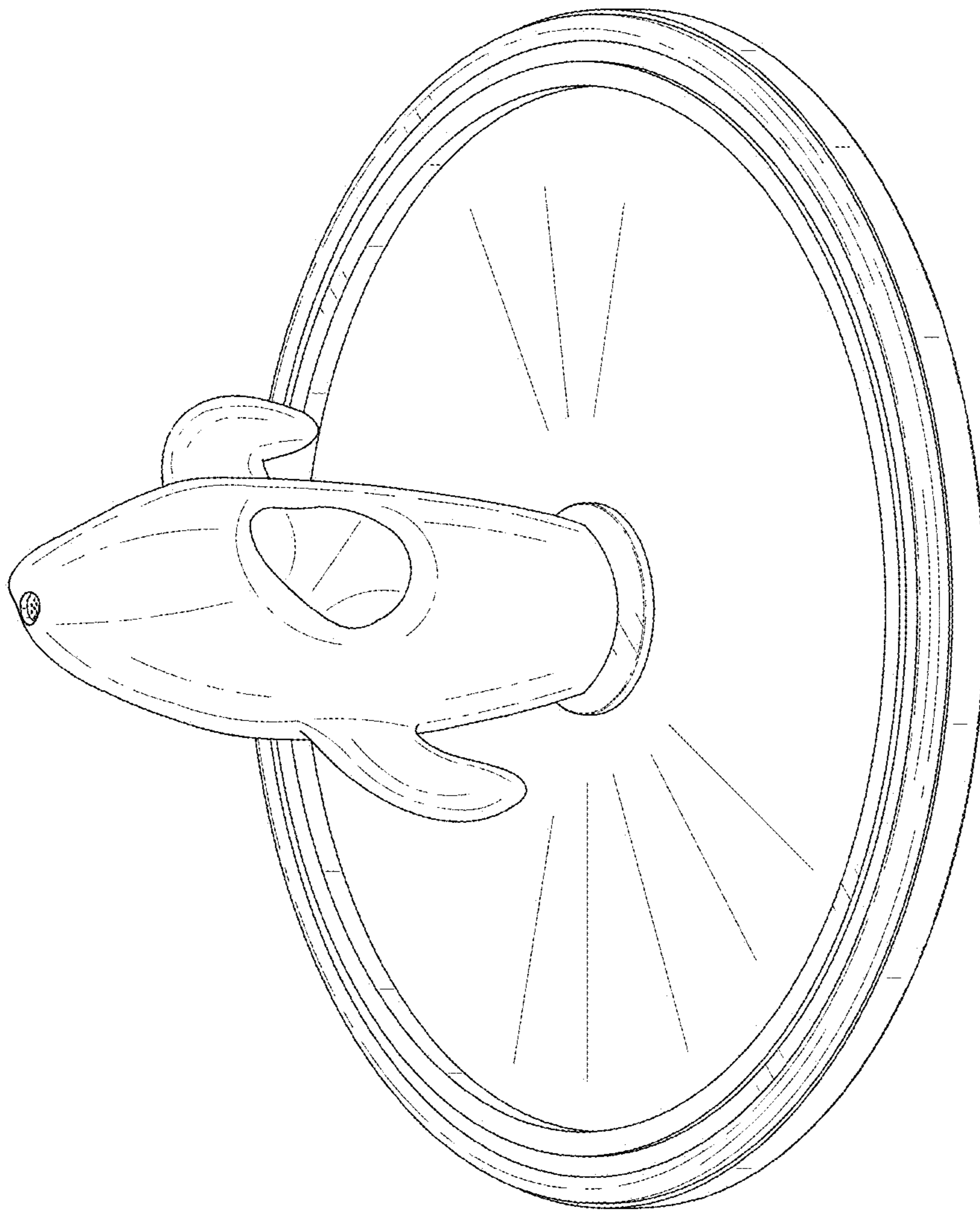


Fig. 7