



US00D928285S

(12) **United States Design Patent**
Chin et al.

(10) **Patent No.:** **US D928,285 S**

(45) **Date of Patent:** **** Aug. 17, 2021**

(54) **CONTAINER**

(71) Applicant: **Building Materials Investment Corporation**, Dallas, TX (US)

(72) Inventors: **Norman M. Chin**, Somerville, NJ (US); **Lingtao Yu**, Summit, NJ (US); **Linlin Xing**, Wayne, NJ (US); **Daniel Boss**, Morris Township, NJ (US); **Eric R. Anderson**, Montclair, NJ (US)

(73) Assignee: **Building Materials Investment Corporation**, Dallas, TX (US)

(**) Term: **15 Years**

(21) Appl. No.: **29/716,074**

(22) Filed: **Dec. 6, 2019**

(51) **LOC (13) Cl.** **23-01**

(52) **U.S. Cl.**
USPC **D23/213; D23/200**

(58) **Field of Classification Search**
USPC D7/391, 396.6; D8/1; D9/417, 448, 454, D9/455, 516; D13/156; D15/7; D23/205, 209, 225, 262, 259, 269; D24/121, 127, 216; D32/54
CPC F17C 13/084; E21B 17/08; B62B 3/104; B65D 43/02; F01N 3/2066; A61B 90/06
See application file for complete search history.

(56) **References Cited**

U.S. PATENT DOCUMENTS

- D362,902 S * 10/1995 Reiber D23/269
- D376,453 S * 12/1996 Park D32/53
- D378,571 S * 3/1997 Bastow D9/417
- D379,493 S * 5/1997 Woods D23/269
- D383,275 S * 9/1997 Hebert D32/54
- 6,488,293 B1 * 12/2002 Mitchell B62B 3/104
280/47.34
- D474,404 S * 5/2003 Tropeano D9/455
- D558,310 S * 12/2007 Quesada D23/269

- D559,363 S * 1/2008 Darce D23/269
- D593,270 S * 5/2009 Taylor D32/54
- D616,966 S * 6/2010 Angell D23/262
- D620,310 S * 7/2010 Lundberg D7/396.6
- D631,142 S * 1/2011 Angell D23/262

(Continued)

OTHER PUBLICATIONS

Bucket Base https://www.amazon.com/Shurhold-240-Bucket-Base/dp/B00MYTLVGM/ref=sr_1_1?dchild=1&keywords=applicator+base+for+bucket&qid=1620399583&sr=8-1 (Year: 2017).*

Primary Examiner — Michelle E. Wilson
Assistant Examiner — Richard E Yenchesky
(74) *Attorney, Agent, or Firm* — Venable LLP

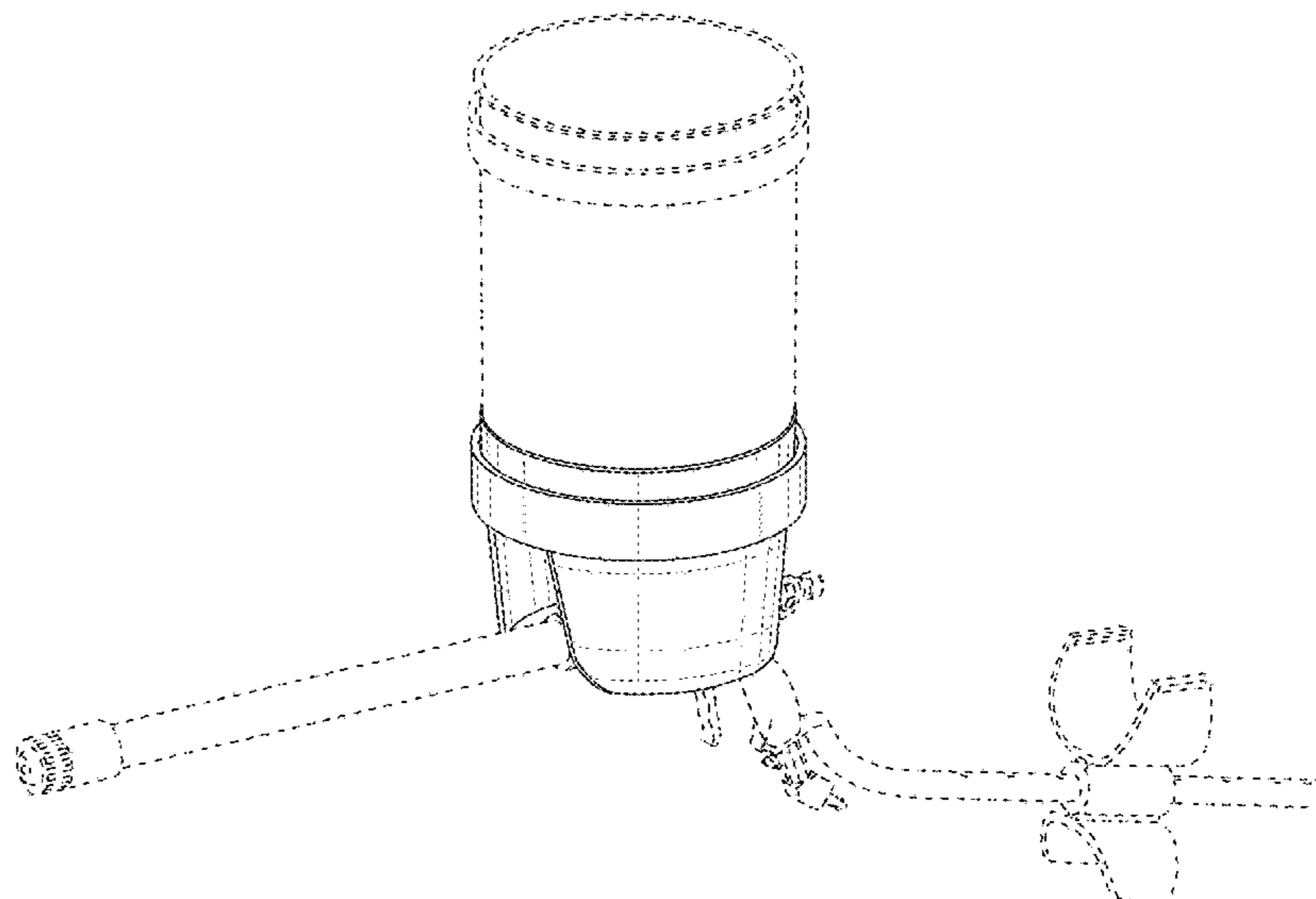
(57) **CLAIM**

The ornamental design for a container, as shown and described.

DESCRIPTION

FIG. 1 is a top perspective view of a container showing our new design in a position of use;
FIG. 2 is a top perspective view of the container shown in FIG. 1;
FIG. 3 is a bottom perspective view of the container shown in FIG. 2;
FIG. 4 is a right side view of the container shown in FIG. 2;
FIG. 5 is a left side view of the container shown in FIG. 2;
FIG. 6 is a front view of the container shown in FIG. 2;
FIG. 7 is a rear view of the container shown in FIG. 2;
FIG. 8 is a top view of the container shown in FIG. 2;
FIG. 9 is a bottom view of the container shown in FIG. 2;
and,
FIG. 10 is an exploded, top perspective view of the container shown in FIG. 1 in a position of use.
The broken lines are for illustrative purposes only and form no part of the claimed design.

1 Claim, 10 Drawing Sheets



(56)

References Cited

U.S. PATENT DOCUMENTS

D651,291 S * 12/2011 Liebson D23/262
D715,650 S * 10/2014 Hussain D9/516
D715,651 S * 10/2014 Allen D9/516
D717,464 S * 11/2014 Wainwright D24/216
D738,491 S * 9/2015 Foley D24/121
9,155,556 B2 * 10/2015 Fuerst A61B 90/06
9,528,659 B2 * 12/2016 Manser F17C 13/084
D787,029 S * 5/2017 Bayyouk D23/269
D793,531 S * 8/2017 Hegdahl D23/225
D798,993 S * 10/2017 Mittag D23/205
D798,994 S * 10/2017 Mittag D23/205
D799,690 S * 10/2017 Kawamura D23/499
D816,799 S * 5/2018 Bell D23/209
D824,494 S * 7/2018 Martins D23/261
10,024,211 B2 * 7/2018 Kodgule F01N 3/2066
D834,879 S * 12/2018 Krivos D7/391
D852,231 S * 6/2019 Larsson D15/7
D855,420 S * 8/2019 Dubiel D8/1
D864,125 S * 10/2019 Selig D13/156
D871,906 S * 1/2020 Ramsey D9/454
D872,859 S * 1/2020 Krebs D24/127
D887,773 S * 6/2020 Fourie D7/392.1
D888,896 S * 6/2020 Ozburn D23/249
10,689,920 B1 * 6/2020 Burrows E21B 17/08
D894,343 S * 8/2020 Hay D23/259
D894,347 S * 8/2020 Harrap D23/262
D910,259 S * 2/2021 Stack D32/54
D915,197 S * 4/2021 Katano D9/448
2013/0240527 A1 * 9/2013 Philippe B65D 43/02
220/270

* cited by examiner

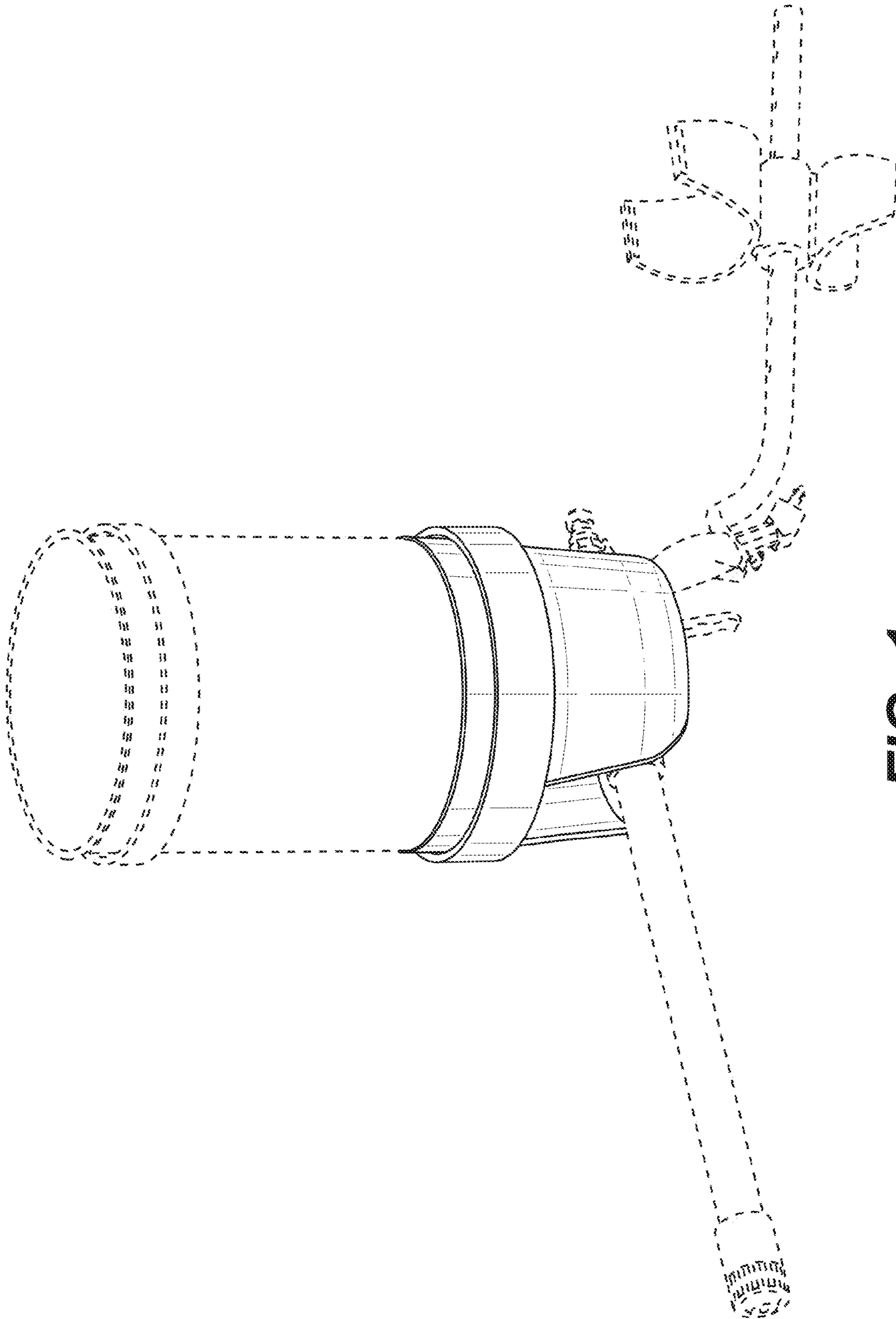


FIG. 1

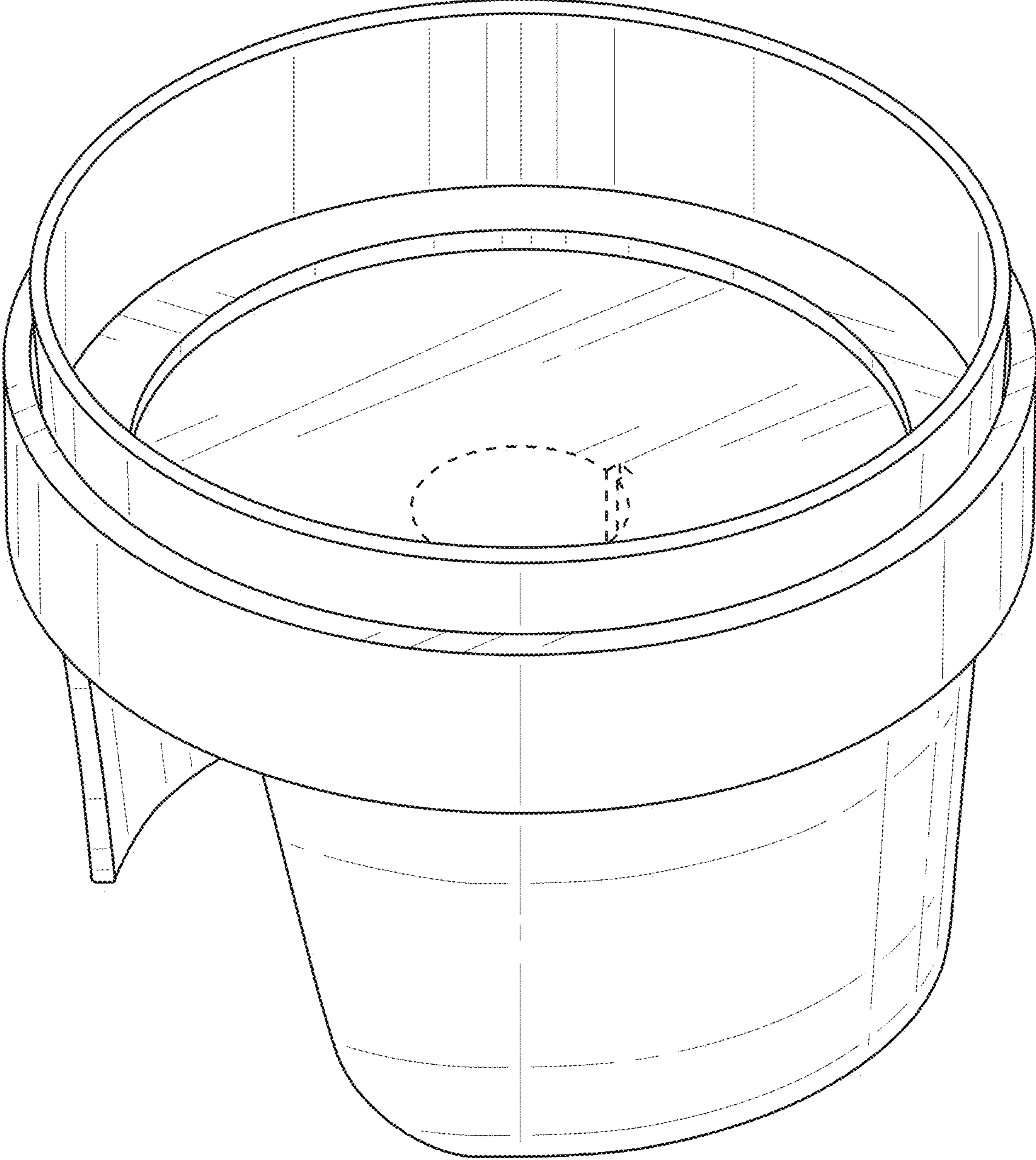


FIG. 2

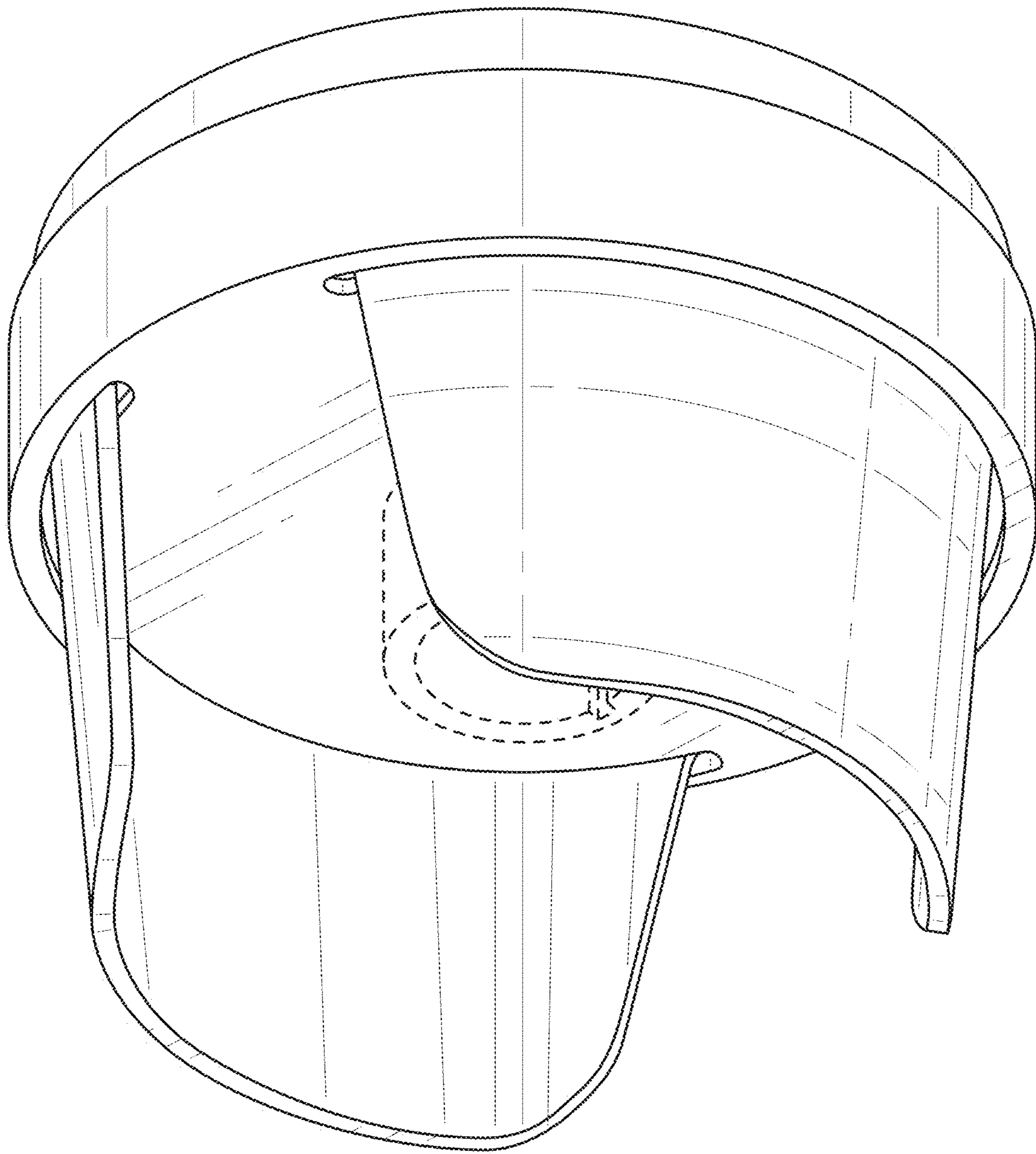


FIG. 3

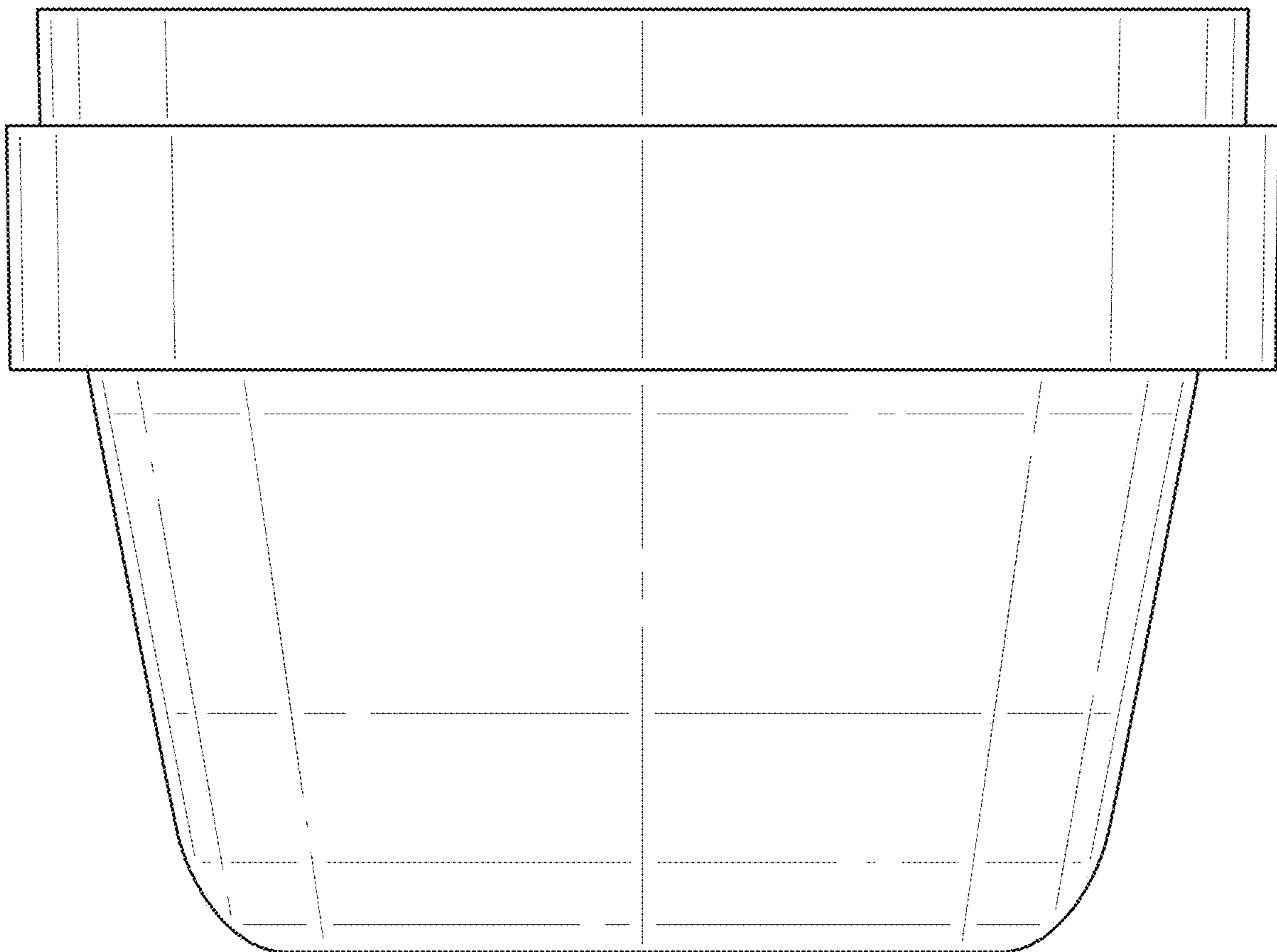


FIG. 4

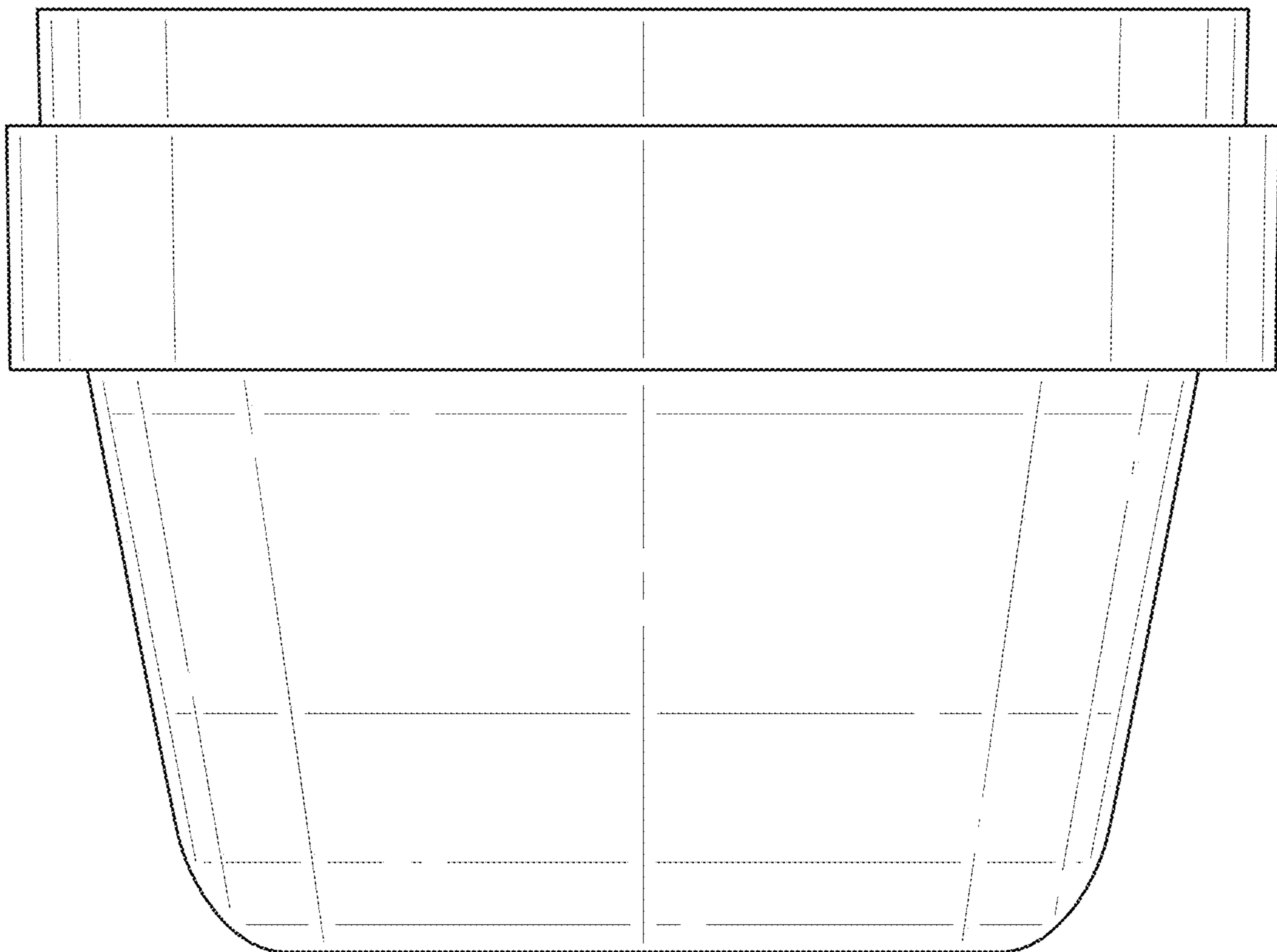


FIG. 5

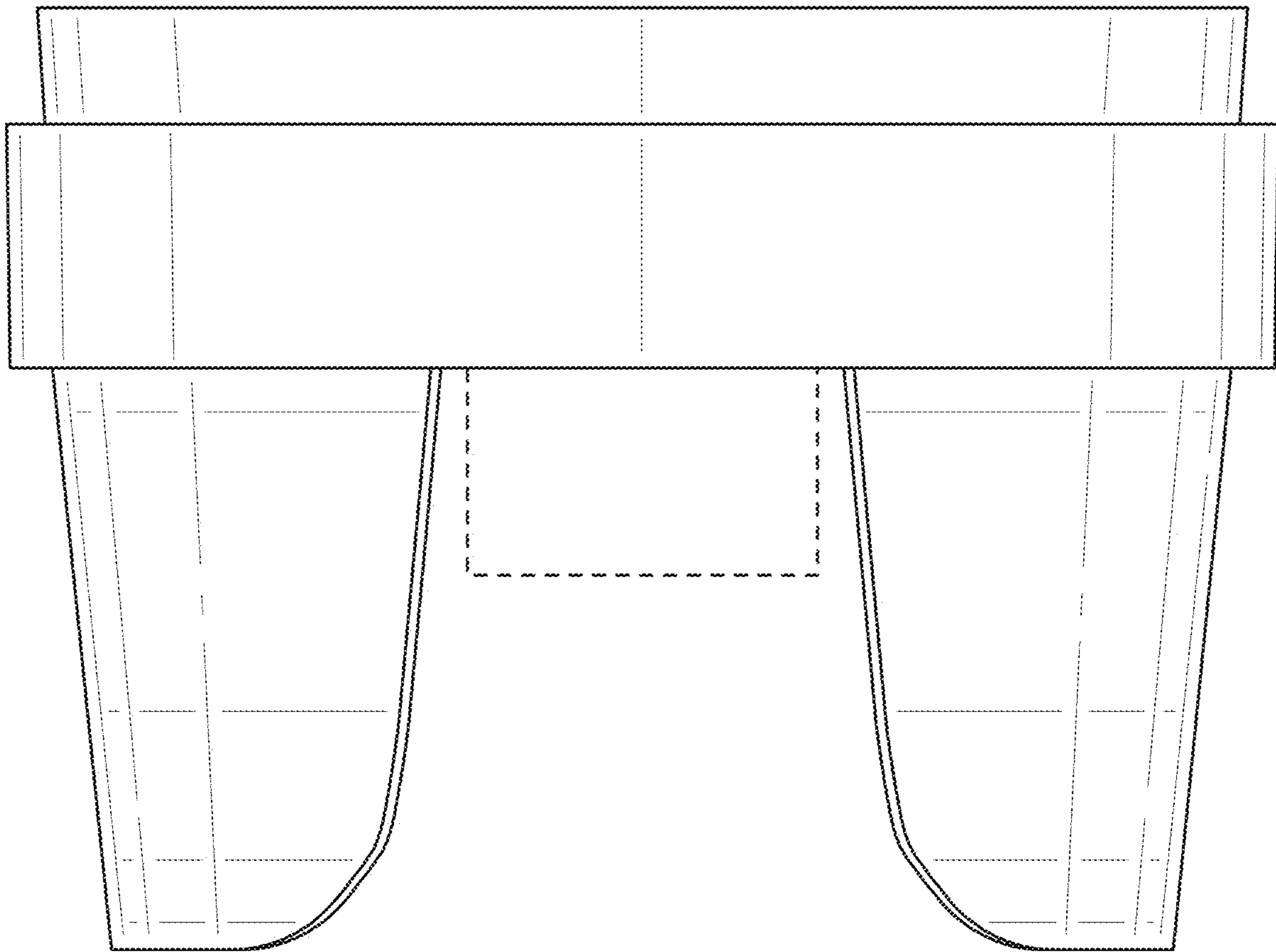


FIG. 6

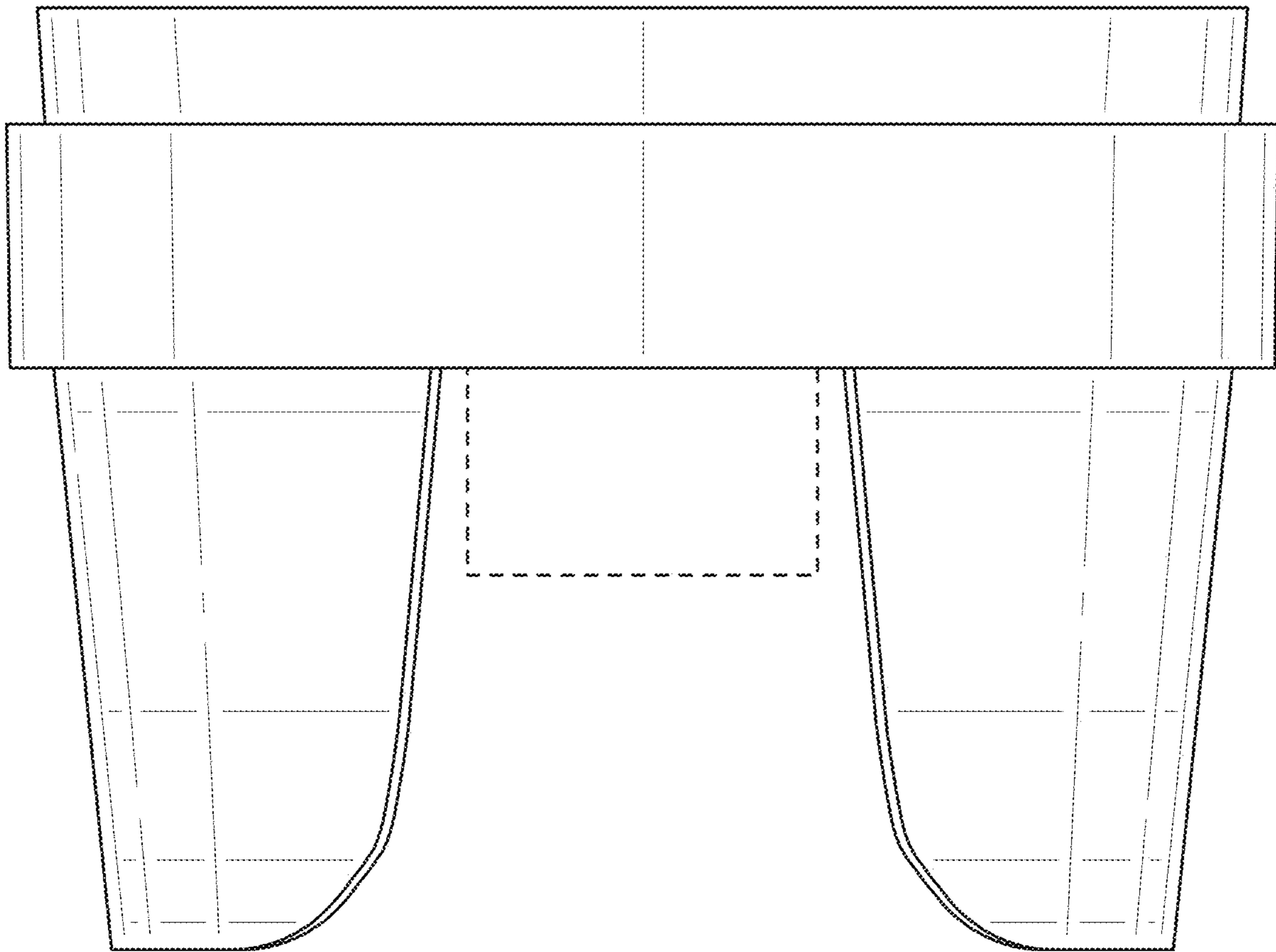


FIG. 7

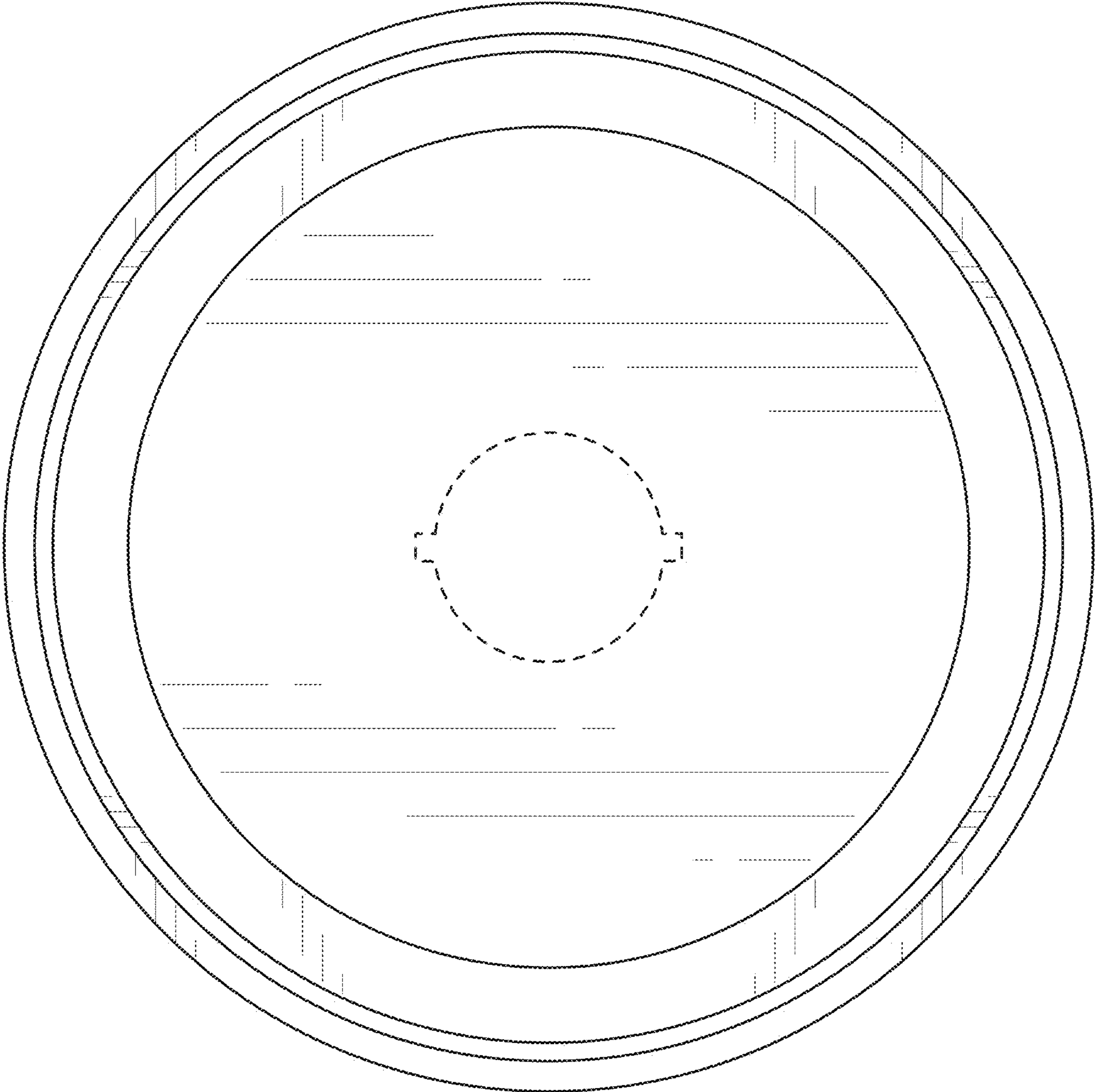


FIG. 8

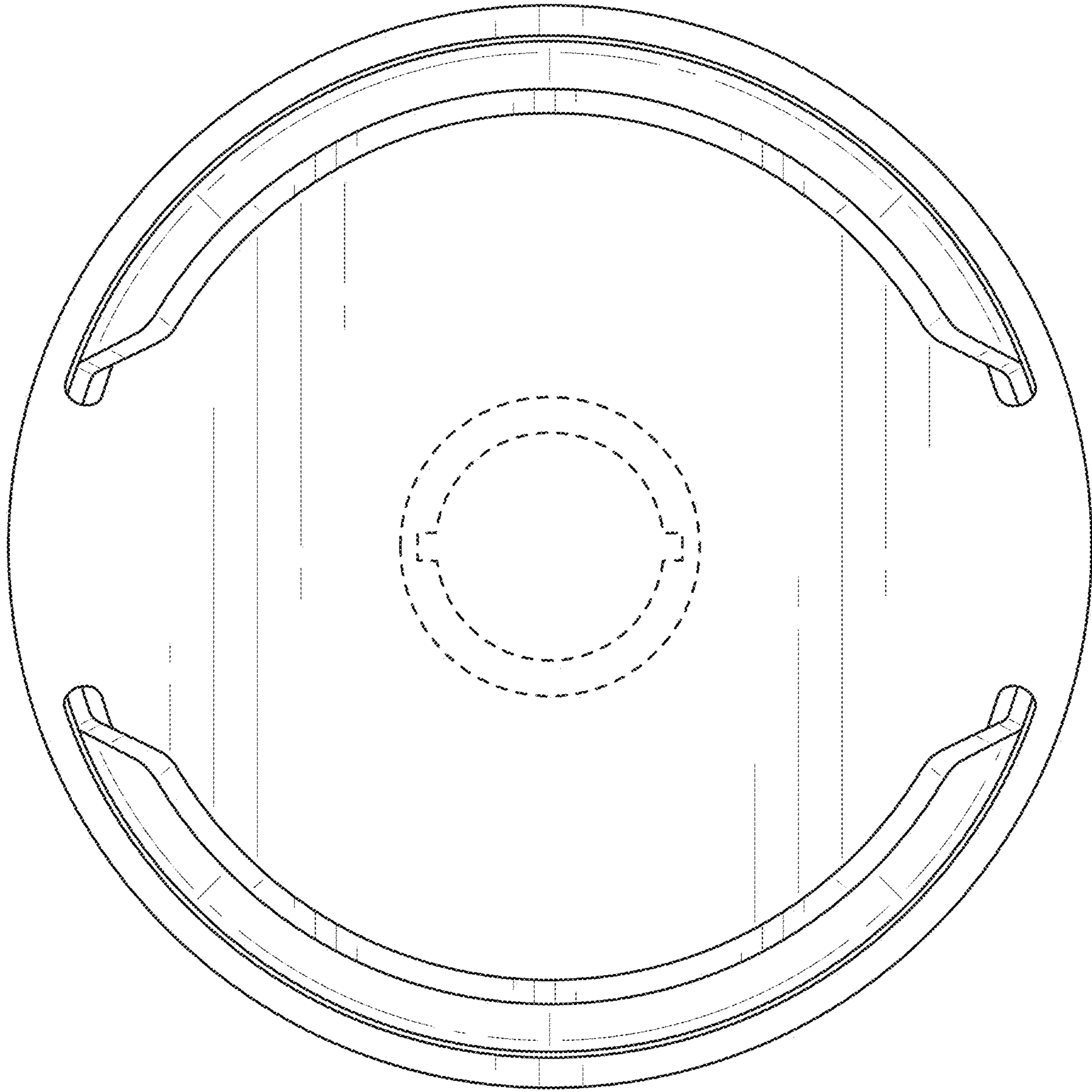


FIG. 9

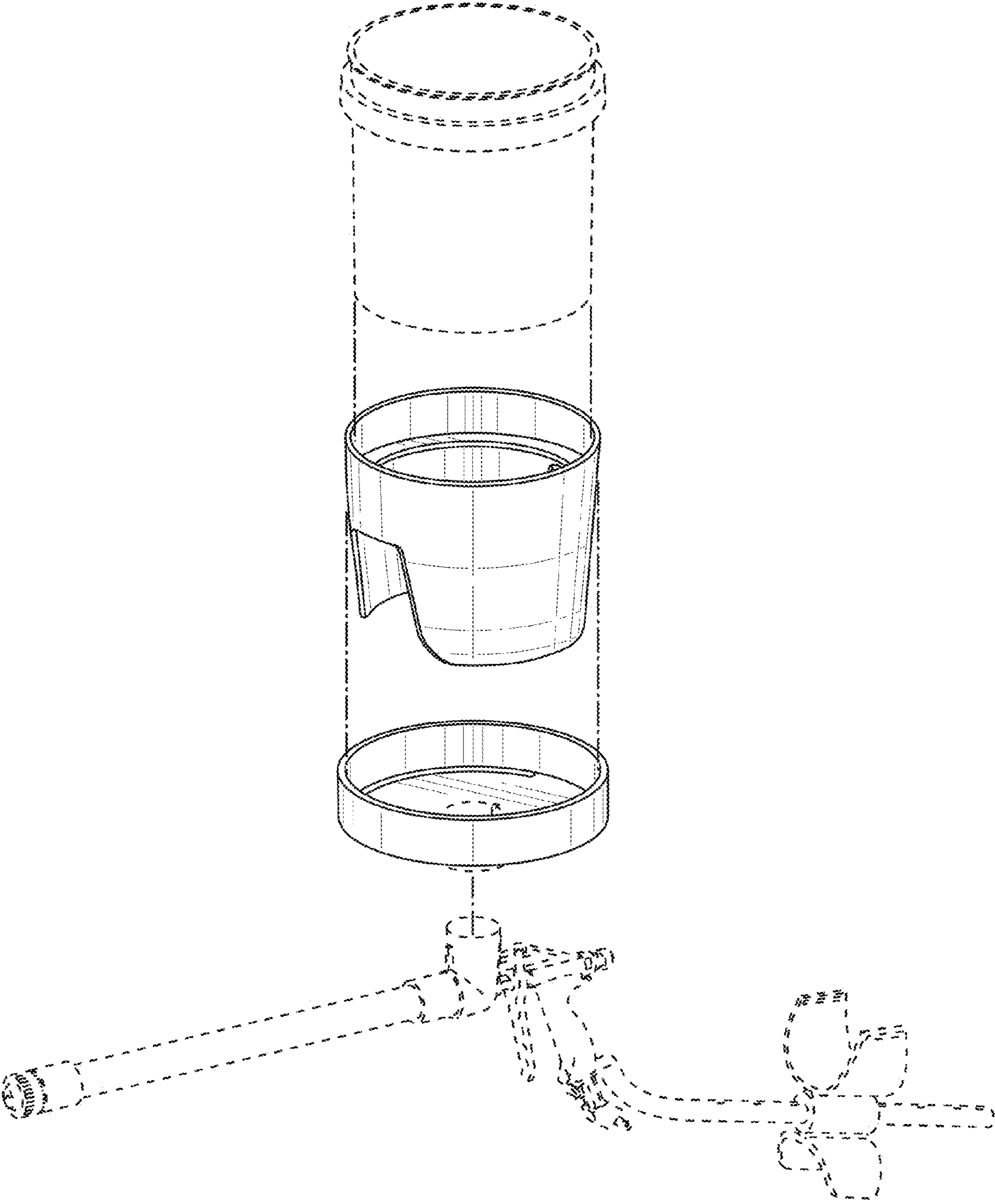


FIG. 10