



US00D928284S

(12) **United States Design Patent**  
**Chin et al.**

(10) **Patent No.:** **US D928,284 S**

(45) **Date of Patent:** **\*\* Aug. 17, 2021**

(54) **CONTAINER**

(71) Applicant: **Building Materials Investment Corporation**, Dallas, TX (US)

(72) Inventors: **Norman M. Chin**, Somerville, NJ (US); **Lingtao Yu**, Summit, NJ (US); **Linlin Xing**, Wayne, NJ (US); **Daniel Boss**, Morris Township, NJ (US); **Eric R. Anderson**, Montclair, NJ (US)

(73) Assignee: **Building Materials Investment Corporation**, Dallas, TX (US)

(\*\*) Term: **15 Years**

(21) Appl. No.: **29/716,073**

(22) Filed: **Dec. 6, 2019**

(51) **LOC (13) Cl.** ..... **23-01**

(52) **U.S. Cl.**  
USPC ..... **D23/213; D23/200**

(58) **Field of Classification Search**  
USPC ..... D7/391, 396.6; D8/1; D9/417, 448, 454, D9/455, 516; D13/156; D15/7; D23/205, 209, 225, 262, 259, 269; D24/121, 127, 216; D32/54  
CPC ..... F17C 13/084; E21B 17/08; B62B 3/104; B65D 43/02; F01N 3/2066; A61B 90/06  
See application file for complete search history.

(56) **References Cited**

**U.S. PATENT DOCUMENTS**

- D362,902 S \* 10/1995 Reiber ..... D23/269
- D376,453 S \* 12/1996 Park ..... D32/53
- D378,571 S \* 3/1997 Bastow ..... D9/417
- D379,493 S \* 5/1997 Woods ..... D23/269
- D383,275 S \* 9/1997 Hebert ..... D32/54
- 6,488,293 B1 \* 12/2002 Mitchell ..... B62B 3/104  
280/47.34
- D474,404 S \* 5/2003 Tropeano ..... D9/455
- D558,310 S \* 12/2007 Quesada ..... D23/269

- D559,363 S \* 1/2008 Darce ..... D23/269
- D593,270 S \* 5/2009 Taylor ..... D32/54
- D616,966 S \* 6/2010 Angell ..... D23/262
- D620,310 S \* 7/2010 Lundberg ..... D7/396.6
- D631,142 S \* 1/2011 Angell ..... D23/262

(Continued)

**OTHER PUBLICATIONS**

Bucket Base [https://www.amazon.com/Shurhold-240-Bucket-Base/dp/B00MYTLVGM/ref=sr\\_1\\_1?dchild=1&keywords=applicator+base+for+bucket&qid=1620399583&sr=8-1](https://www.amazon.com/Shurhold-240-Bucket-Base/dp/B00MYTLVGM/ref=sr_1_1?dchild=1&keywords=applicator+base+for+bucket&qid=1620399583&sr=8-1) (Year: 2017).\*

*Primary Examiner* — Michelle E. Wilson  
*Assistant Examiner* — Richard E Yenchesky  
(74) *Attorney, Agent, or Firm* — Venable LLP

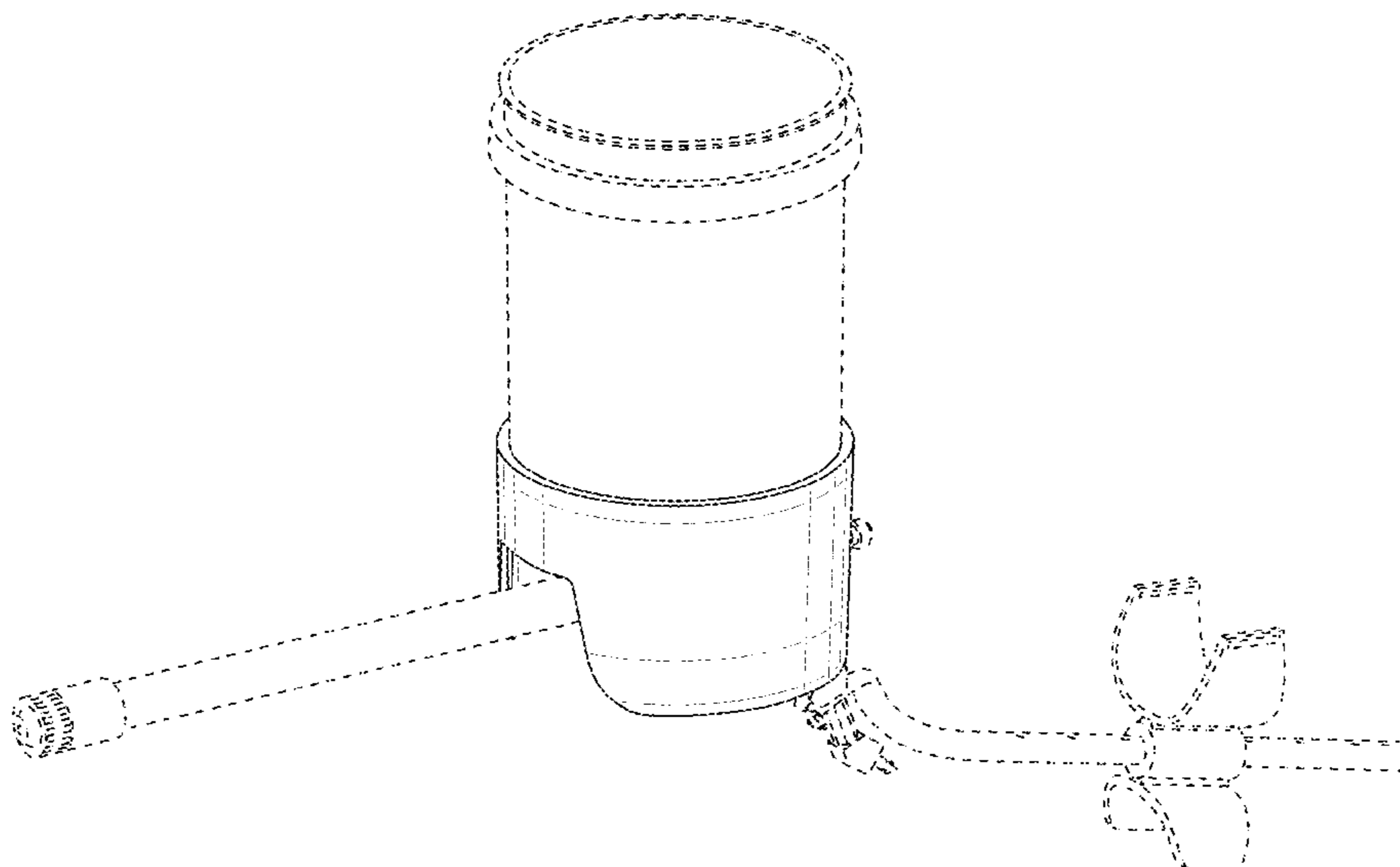
(57) **CLAIM**

The ornamental design for a container, as shown and described.

**DESCRIPTION**

FIG. 1 is a top perspective view of a container showing our new design in a position of use;  
FIG. 2 is a top perspective view of the container shown in FIG. 1;  
FIG. 3 is a bottom perspective view of the container shown in FIG. 2;  
FIG. 4 is a right side view of the container shown in FIG. 2;  
FIG. 5 is a left side view of the container shown in FIG. 2;  
FIG. 6 is a front view of the container shown in FIG. 2;  
FIG. 7 is a rear view of the container shown in FIG. 2;  
FIG. 8 is a top view of the container shown in FIG. 2;  
FIG. 9 is a bottom view of the container shown in FIG. 2;  
and,  
FIG. 10 is an exploded, top perspective view of the container shown in FIG. 1 in a position of use.  
The broken lines are for illustrative purposes only and form no part of the claimed design.

**1 Claim, 10 Drawing Sheets**



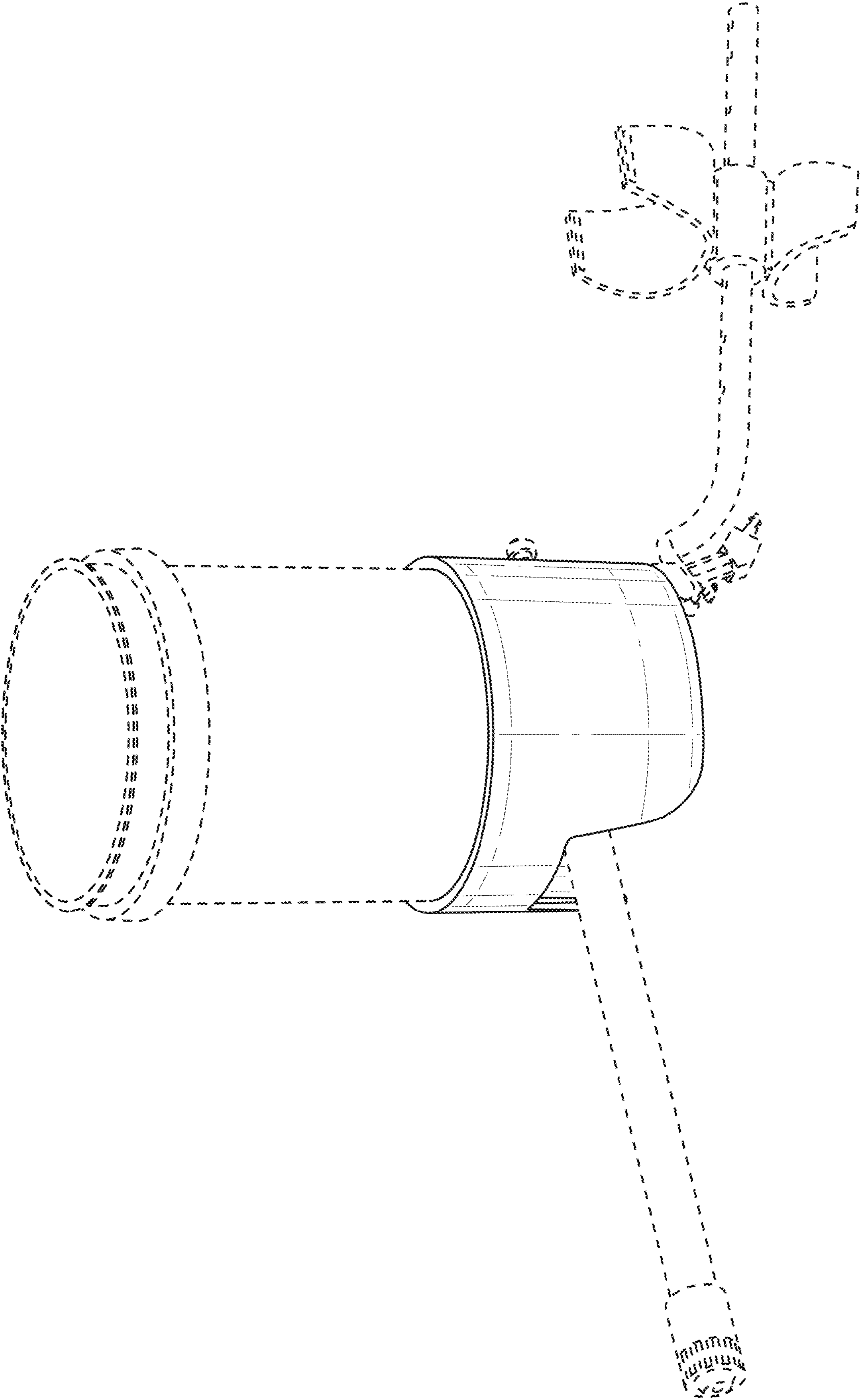
(56)

## References Cited

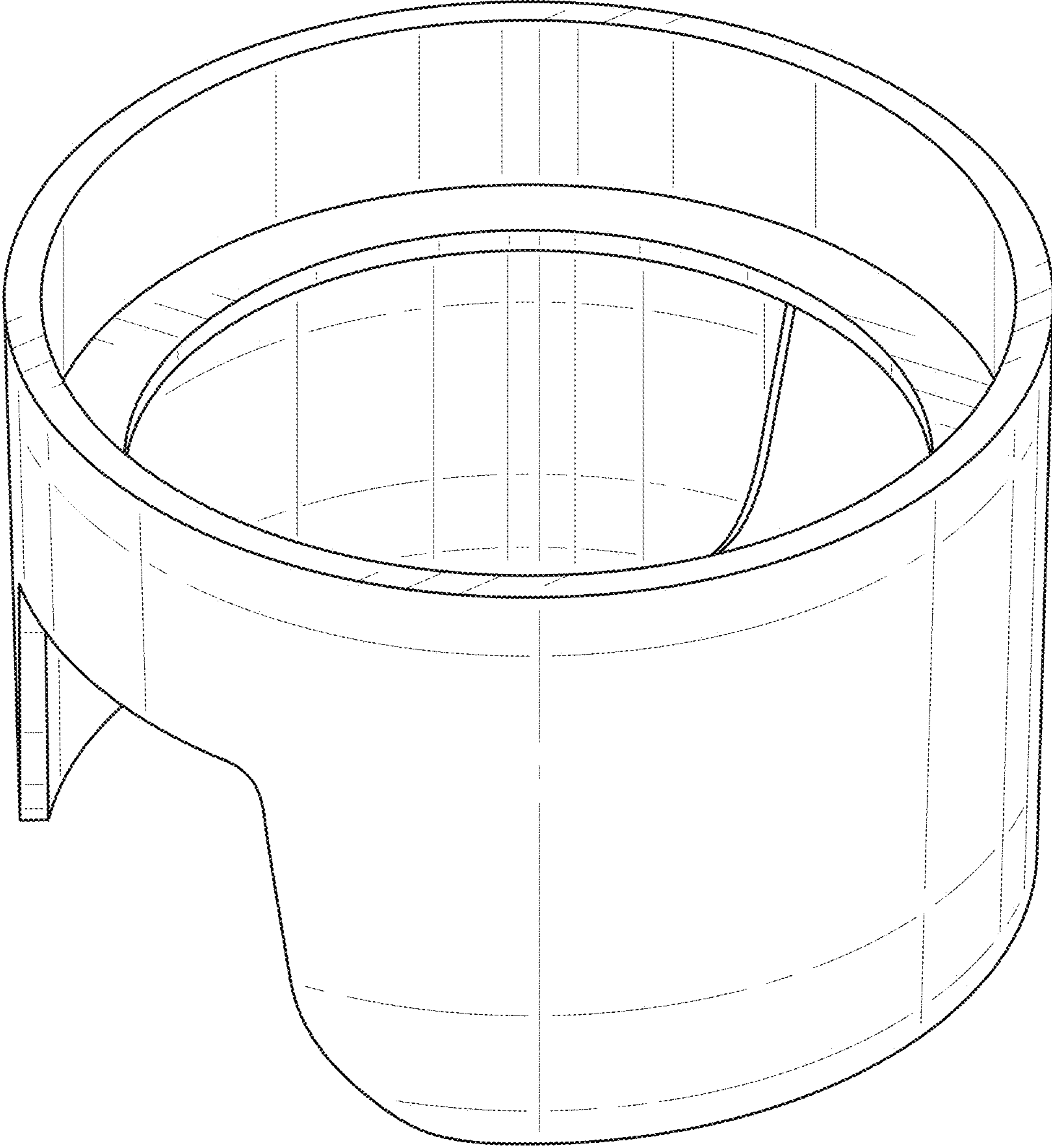
## U.S. PATENT DOCUMENTS

D651,291 S \* 12/2011 Liebson ..... D23/262  
D715,650 S \* 10/2014 Hussain ..... D9/516  
D715,651 S \* 10/2014 Allen ..... D9/516  
D717,464 S \* 11/2014 Wainwright ..... D24/216  
D738,491 S \* 9/2015 Foley ..... D24/121  
9,155,556 B2 \* 10/2015 Fuerst ..... A61B 90/06  
9,528,659 B2 \* 12/2016 Manser ..... F17C 13/084  
D787,029 S \* 5/2017 Bayyouk ..... D23/269  
D793,531 S \* 8/2017 Hegdahl ..... D23/225  
D798,993 S \* 10/2017 Mittag ..... D23/205  
D798,994 S \* 10/2017 Mittag ..... D23/205  
D799,690 S \* 10/2017 Kawamura ..... D23/499  
D816,799 S \* 5/2018 Bell ..... D23/209  
D824,494 S \* 7/2018 Martins ..... D23/261  
10,024,211 B2 \* 7/2018 Kodgule ..... F01N 3/2066  
D834,879 S \* 12/2018 Krivos ..... D7/391  
D852,231 S \* 6/2019 Larsson ..... D15/7  
D855,420 S \* 8/2019 Dubiel ..... D8/1  
D864,125 S \* 10/2019 Selig ..... D13/156  
D871,906 S \* 1/2020 Ramsey ..... D9/454  
D872,859 S \* 1/2020 Krebs ..... D24/127  
D887,773 S \* 6/2020 Fourie ..... D7/392.1  
D888,896 S \* 6/2020 Ozburn ..... D23/249  
10,689,920 B1 \* 6/2020 Burrows ..... E21B 17/08  
D894,343 S \* 8/2020 Hay ..... D23/259  
D894,347 S \* 8/2020 Harrap ..... D23/262  
D910,259 S \* 2/2021 Stack ..... D32/54  
D915,197 S \* 4/2021 Katano ..... D9/448  
2013/0240527 A1 \* 9/2013 Philippe ..... B65D 43/02  
220/270

\* cited by examiner

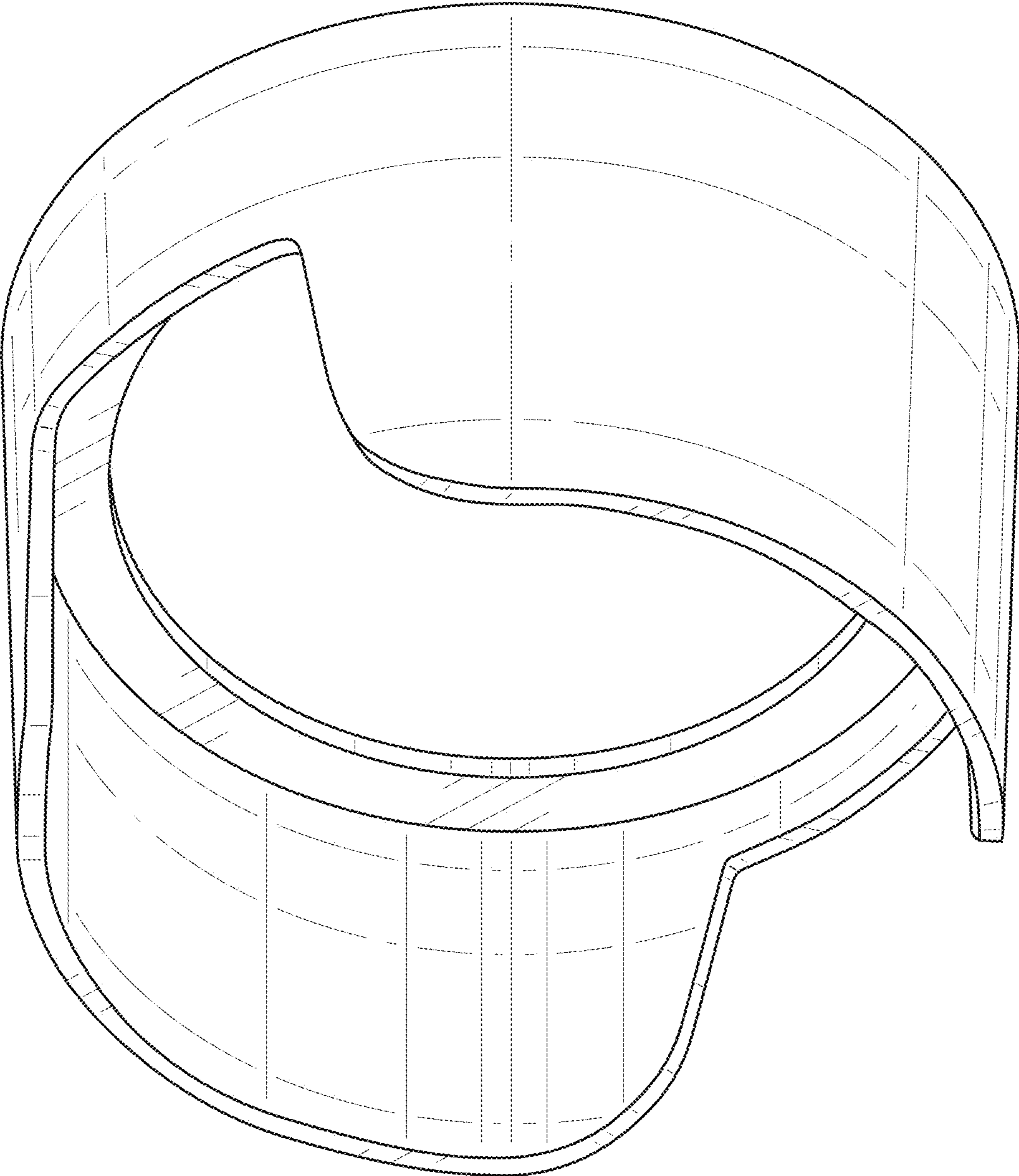


**FIG. 1**

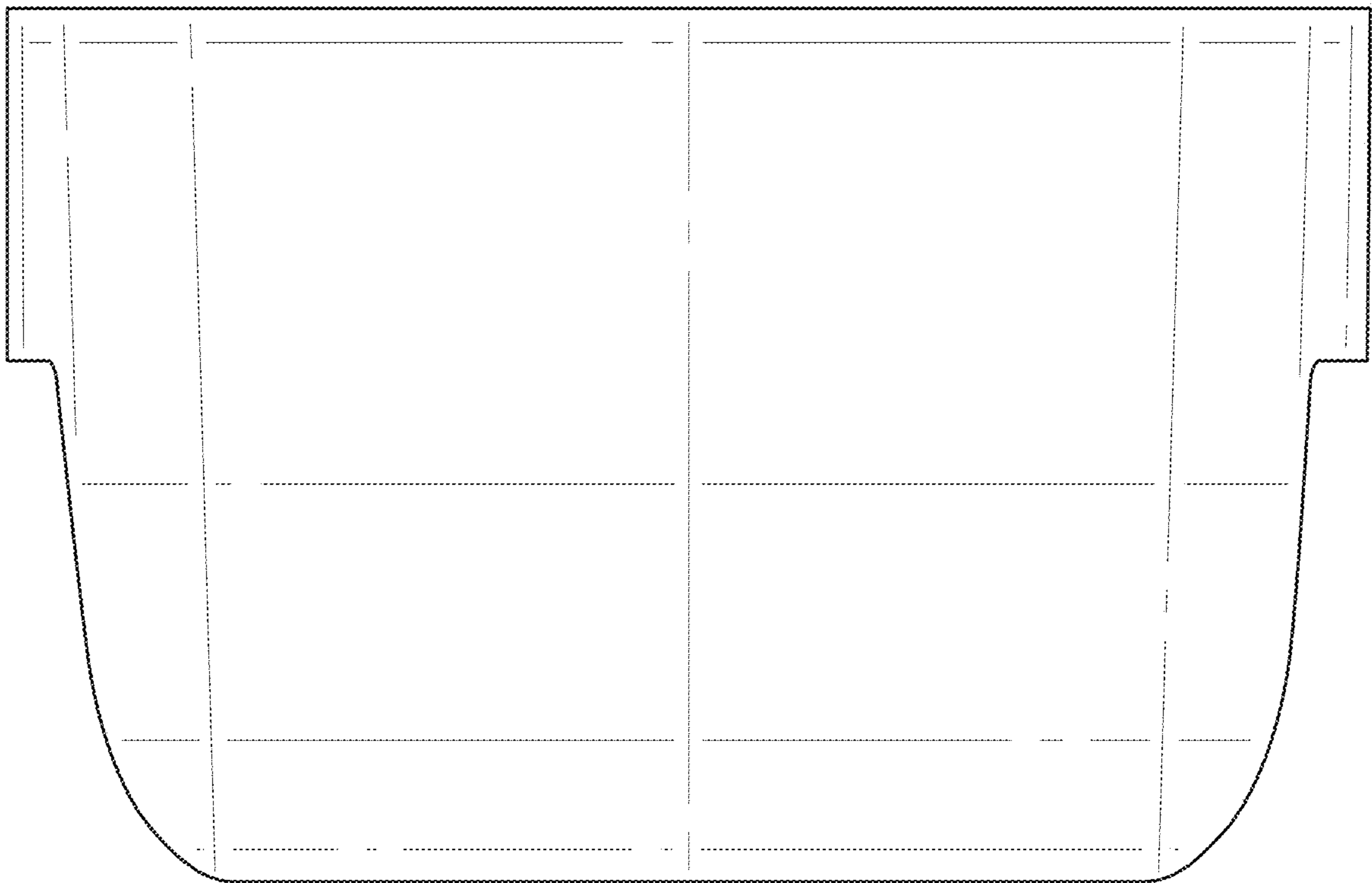


**FIG. 2**

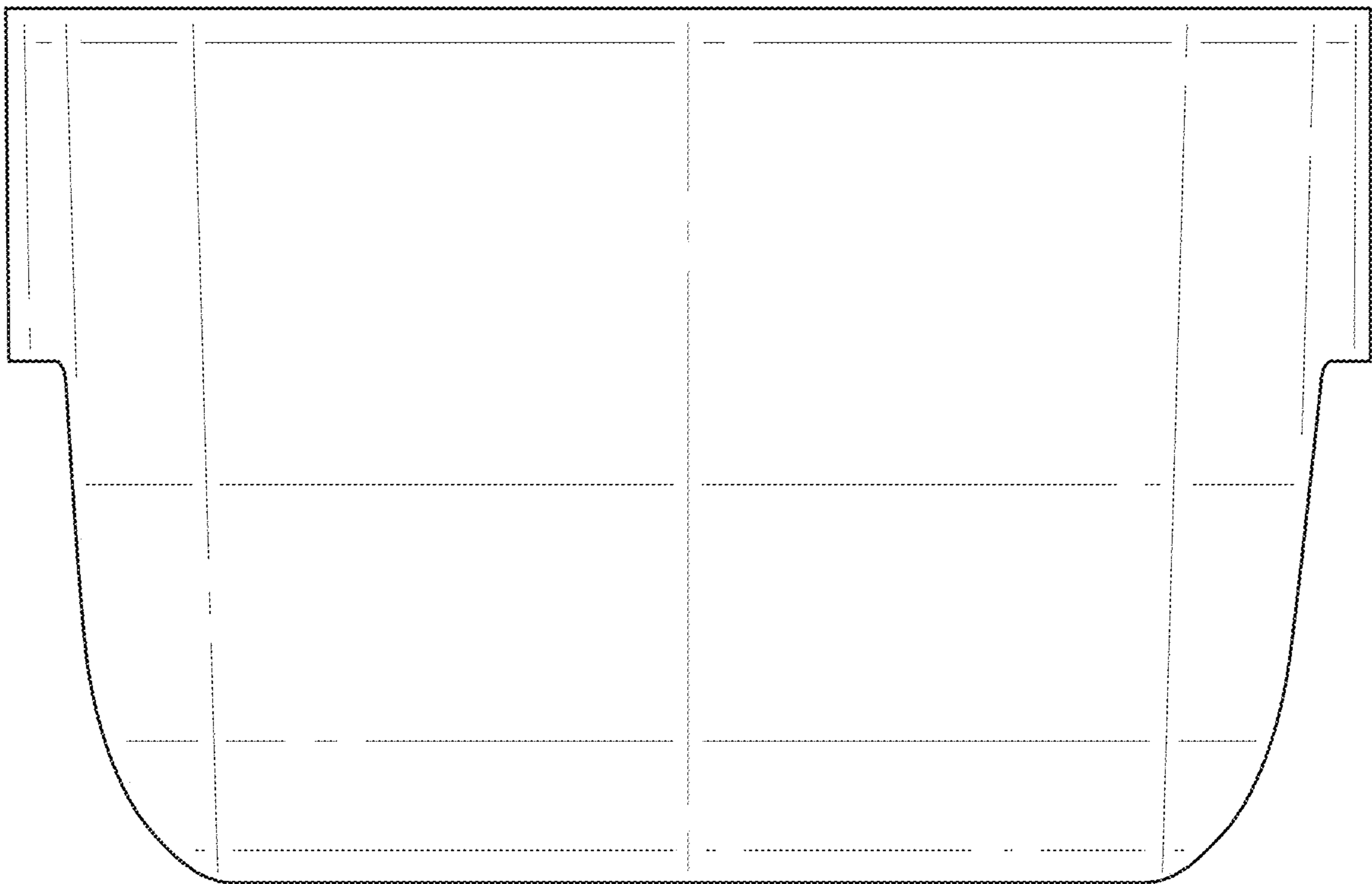




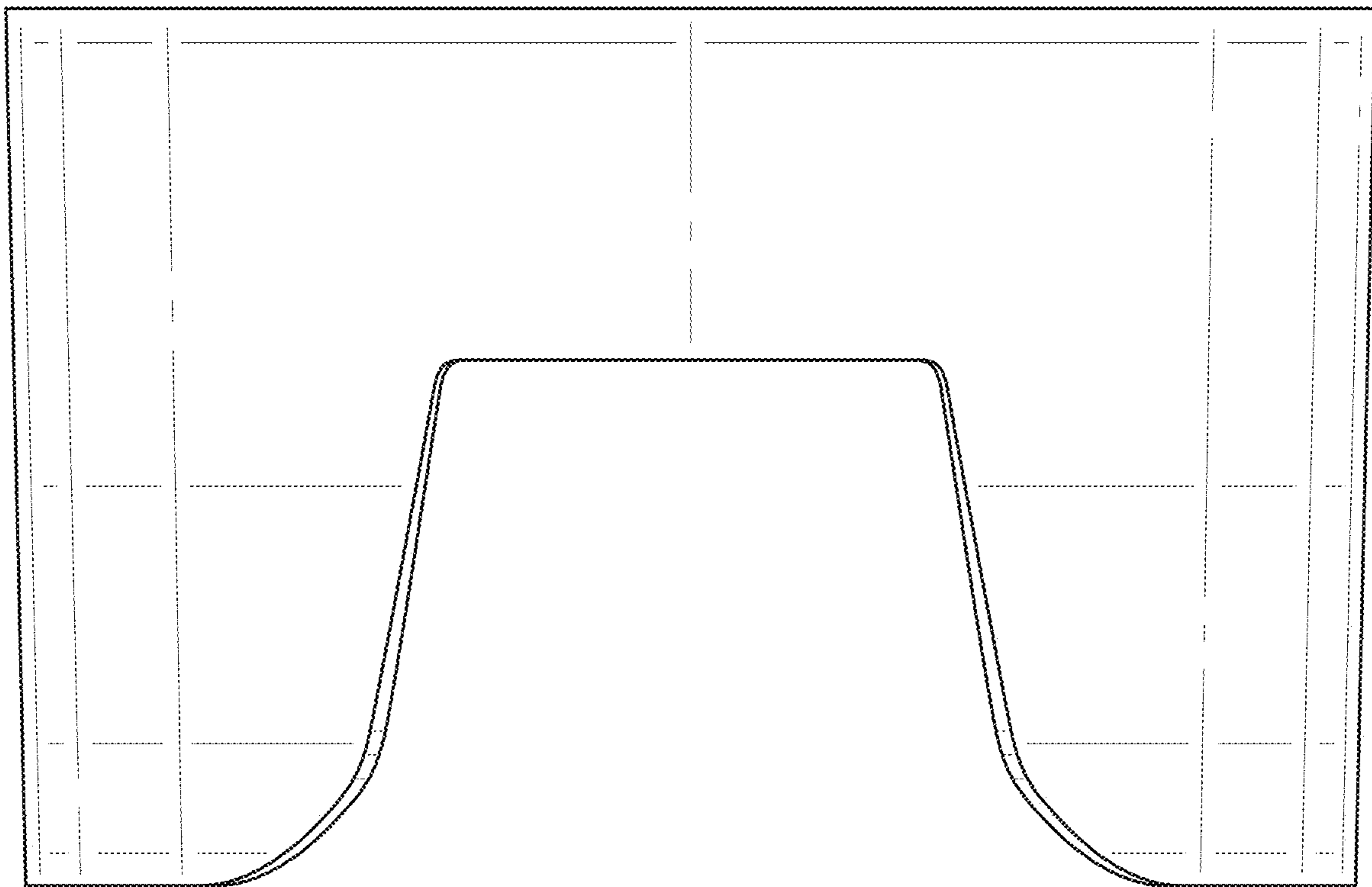
**FIG. 3**



**FIG. 4**

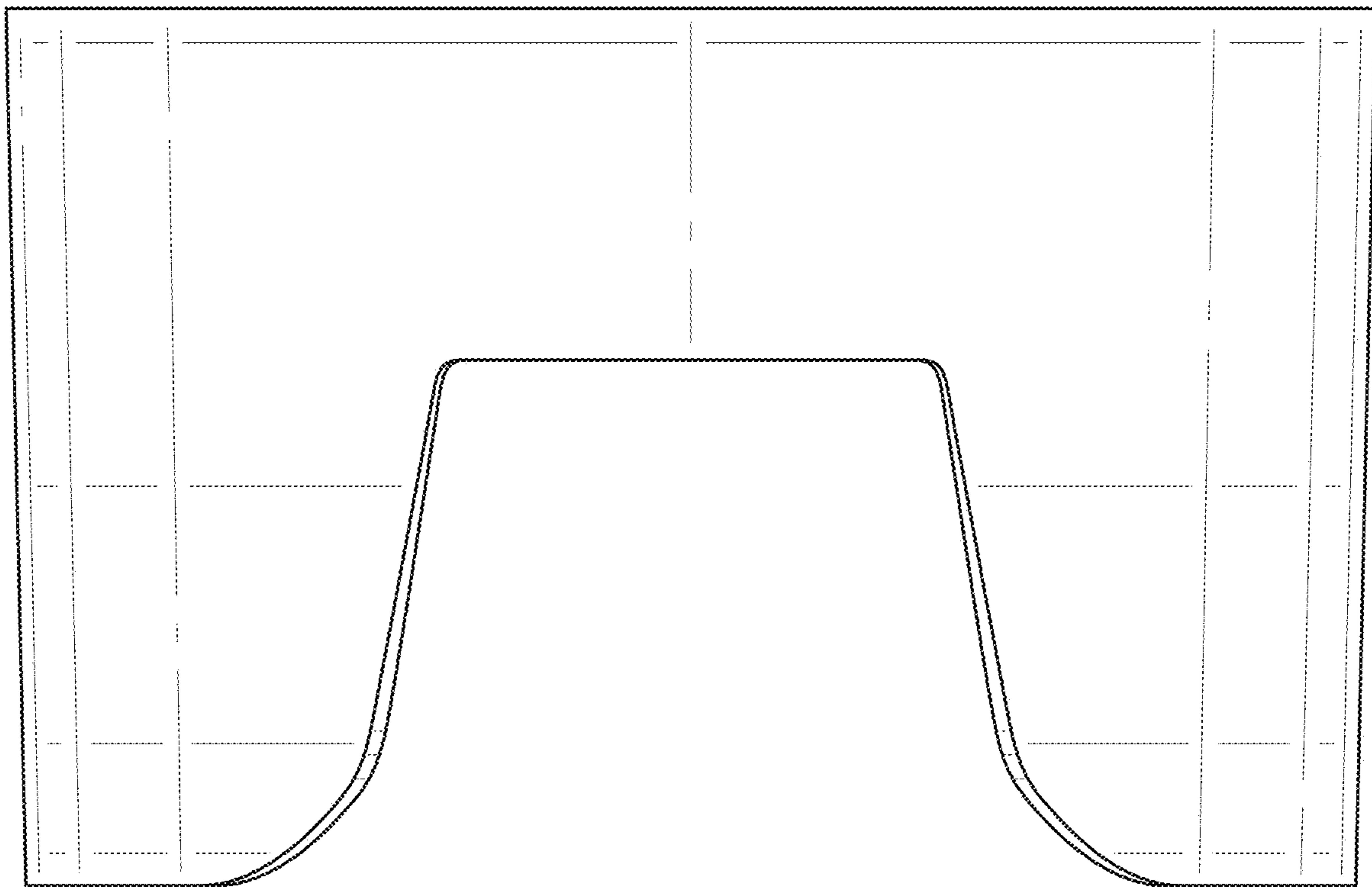


**FIG. 5**

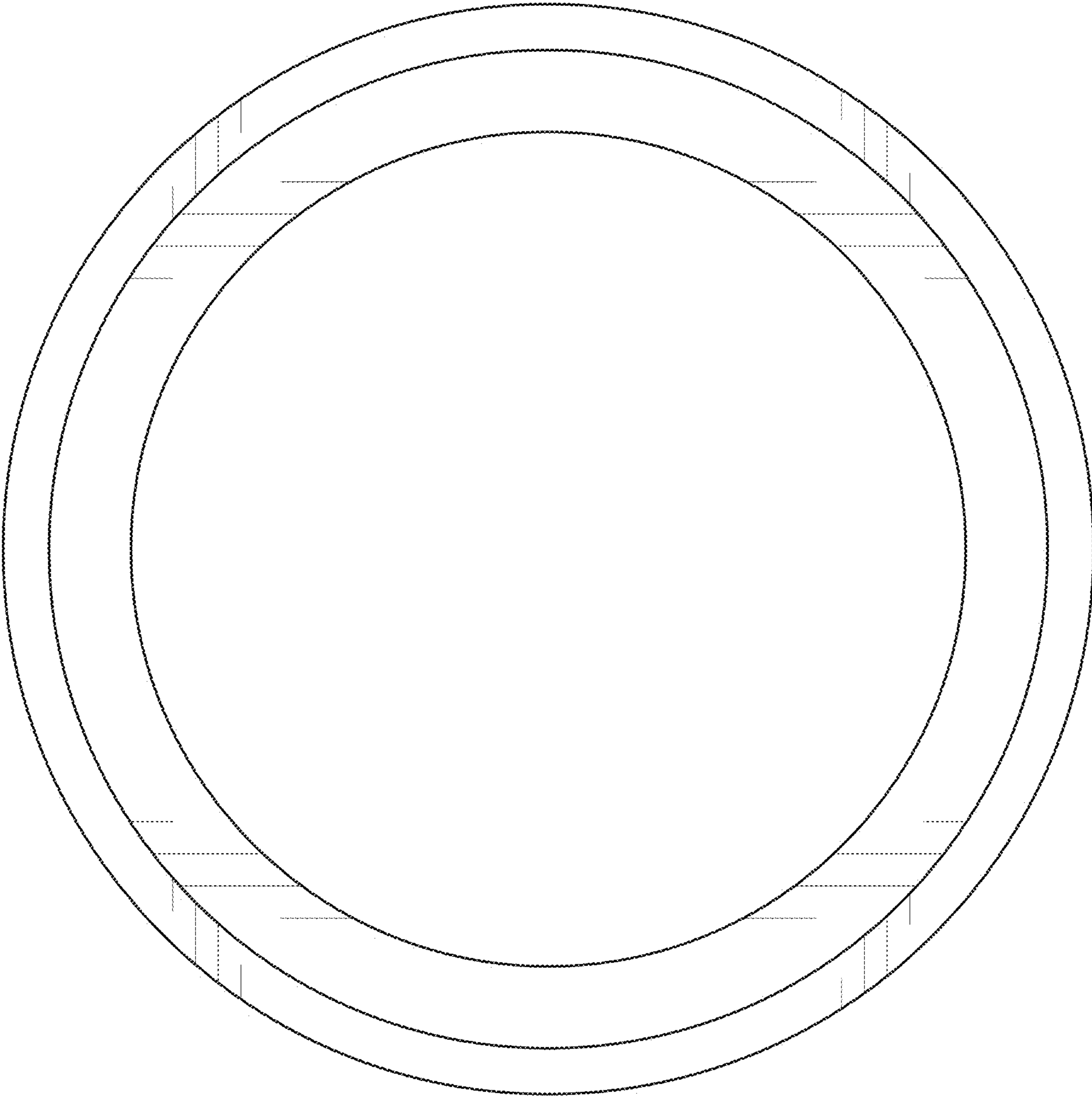


**FIG. 6**

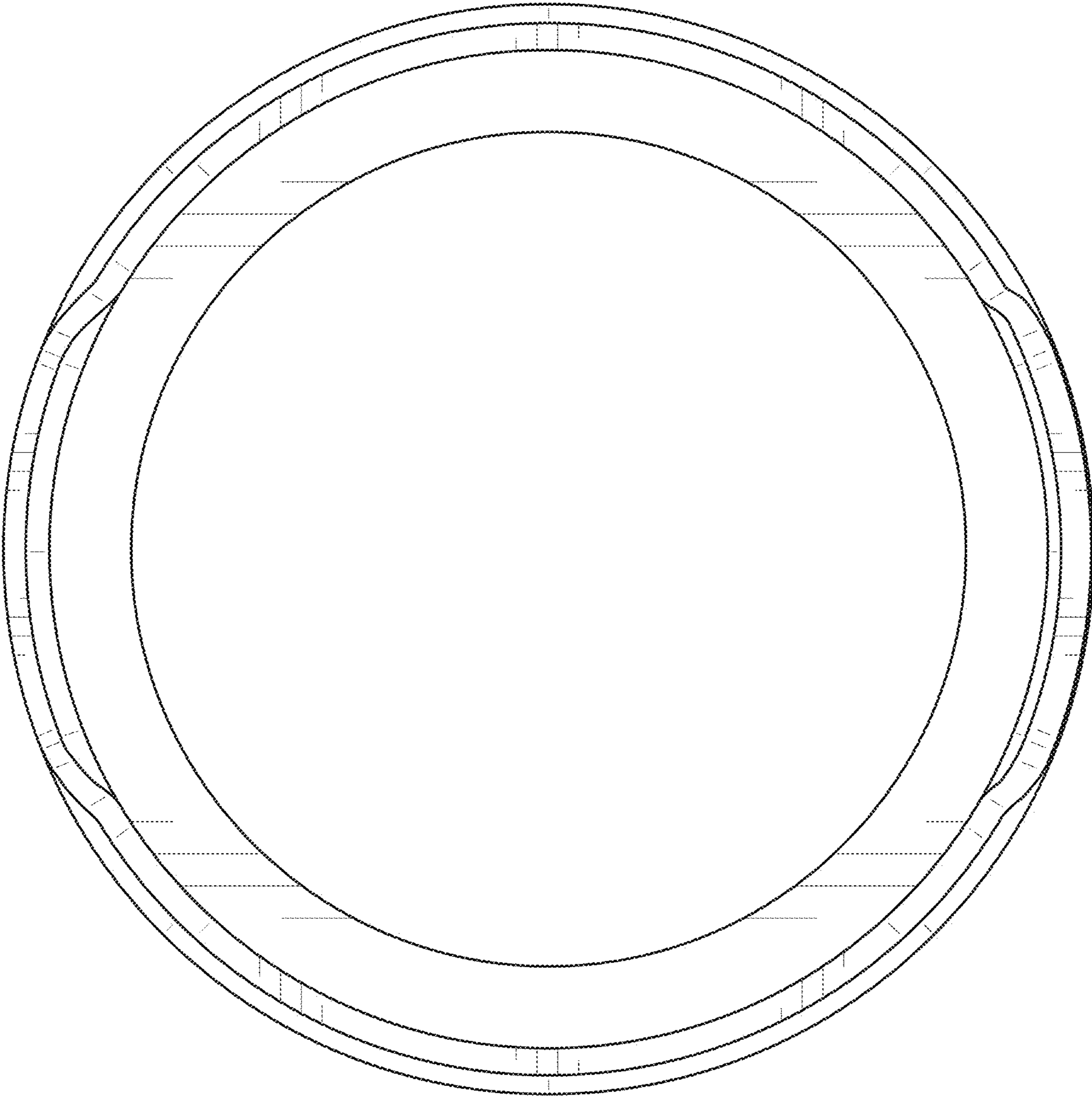




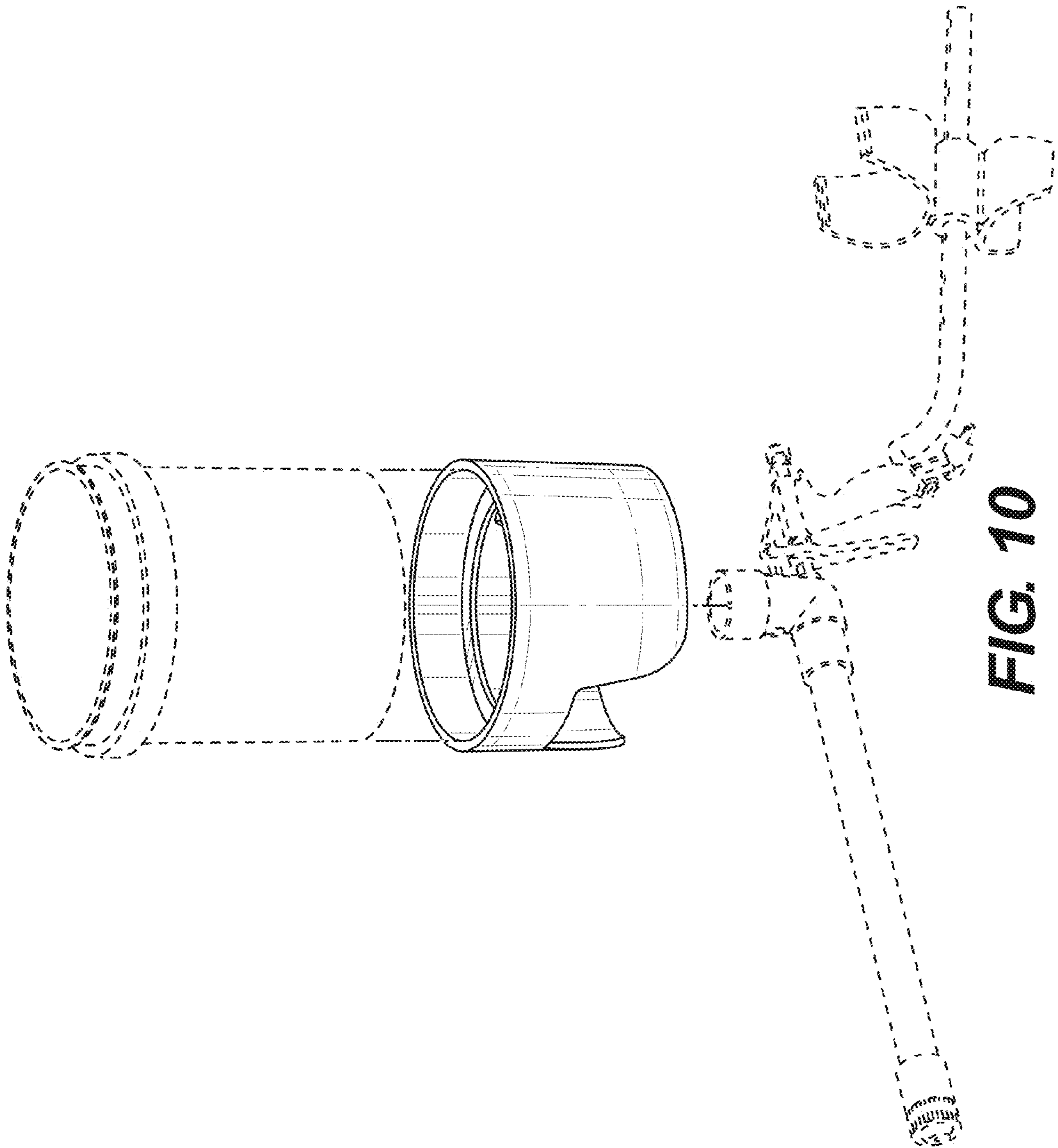
**FIG. 7**



**FIG. 8**



**FIG. 9**



**FIG. 10**