

US00D928283S

(12) **United States Design Patent** (10) **Patent No.:** **US D928,283 S**  
**Peterson et al.** (45) **Date of Patent:** **\*\* Aug. 17, 2021**

(54) **SHOWERHEAD**

(71) Applicant: **WATER PIK, INC.**, Fort Collins, CO  
(US)

(72) Inventors: **Preston R. Peterson**, Loveland, CO  
(US); **Adam Weisgerber**, Shoreline,  
WA (US); **Jeffrey Ladwig**, Seattle, WA  
(US); **Michael Beckman**, Seattle, WA  
(US)

(73) Assignee: **WATER PIK, INC.**, Fort Collins, CO  
(US)

(\*\*) Term: **15 Years**

(21) Appl. No.: **29/709,224**

(22) Filed: **Oct. 11, 2019**

(51) **LOC (13) Cl.** ..... **23-01**

(52) **U.S. Cl.**  
USPC ..... **D23/213**

(58) **Field of Classification Search**  
USPC ..... D23/213, 223, 226, 228, 229, 230, 238,  
D23/239, 240, 241, 249  
CPC ..... B05B 1/16; B05B 1/1618; B05B 1/18;  
B05B 1/185; E03C 1/0405; E03C 1/06;  
E03C 1/063; E03C 1/066; E03C 1/084;  
E03C 2001/0415

See application file for complete search history.

(56) **References Cited**

U.S. PATENT DOCUMENTS

D332,303 S *	1/1993	Klose .....	D23/223
D392,369 S *	3/1998	Chan .....	D23/223
D529,988 S *	10/2006	Tse .....	D23/223
D530,391 S *	10/2006	Tse .....	D23/223
D557,764 S *	12/2007	Schoenherr .....	D23/213
D564,621 S *	3/2008	Lammel .....	D23/223
D581,014 S *	11/2008	Quinn .....	D23/223
D610,230 S *	2/2010	Wu .....	D23/223

D617,873 S *	6/2010	Lee .....	D23/229
D654,983 S *	2/2012	Schoenherr .....	D23/223
D667,928 S *	9/2012	Cutler .....	D23/223
D744,064 S *	11/2015	Peterson .....	D23/223

(Continued)

FOREIGN PATENT DOCUMENTS

CA	2914944 A1	12/2014
CA	3001402 A1	12/2014

(Continued)

OTHER PUBLICATIONS

“Waterpik LBT-563M” May 2, 2018, Amazon, site visited Apr. 12,  
2021: <https://www.amazon.ca/dp/B07CS5C2CK/> (Year: 2018).\*

(Continued)

*Primary Examiner* — Jack Reickel

*Assistant Examiner* — Bobby W Jones, II

(74) *Attorney, Agent, or Firm* — Dorsey & Whitney LLP

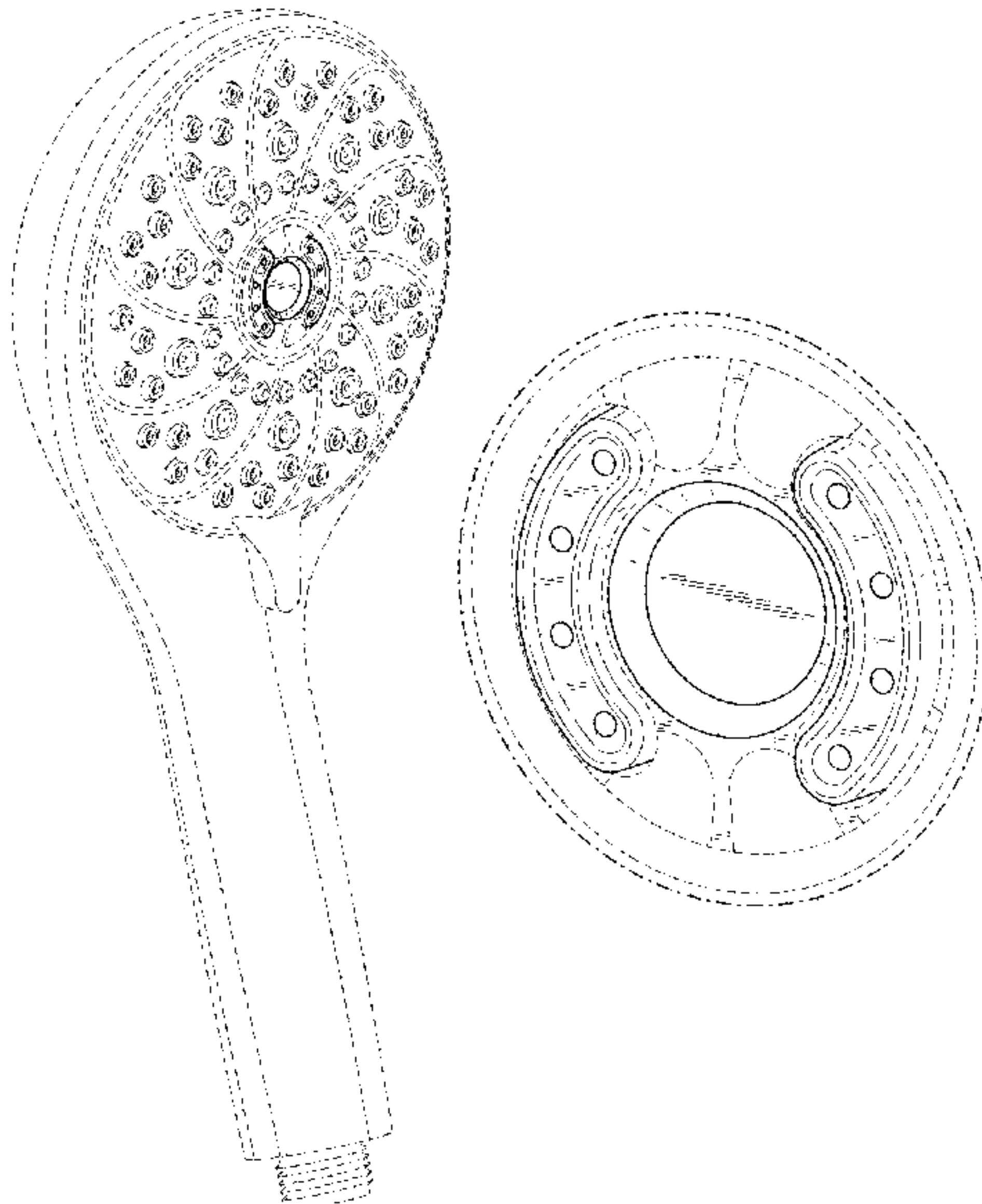
(57) **CLAIM**

We claim the ornamental design for a showerhead, as shown  
and described.

**DESCRIPTION**

FIG. 1 is a front isometric view of a showerhead.  
FIG. 2 is another front isometric view thereof.  
FIG. 3 is a front elevation view thereof.  
FIG. 4 is a rear elevation view thereof.  
FIG. 5 is a left side elevation view thereof.  
FIG. 6 is a right side elevation view thereof.  
FIG. 7 is a top plan view thereof.  
FIG. 8 is a bottom plan view thereof.  
FIG. 9 is an enlarged fragmentary view thereof taken along  
detail line 9-9 of FIG. 2; and,  
FIG. 10 is an enlarged fragmentary view thereof taken along  
detail line 10-10 of FIG. 3.  
The broken lines illustrate portions of the showerhead that  
form no part of the claimed design.

**1 Claim, 8 Drawing Sheets**



(56)

References Cited

U.S. PATENT DOCUMENTS

D744,065 S \* 11/2015 Peterson ..... D23/223  
 D744,612 S \* 12/2015 Peterson ..... D23/223  
 9,295,997 B2 \* 3/2016 Harwanko ..... B05B 3/04  
 9,404,243 B2 8/2016 Cacka et al.  
 9,764,339 B2 \* 9/2017 Yu ..... B05B 1/18  
 D803,351 S \* 11/2017 Ladwig ..... D23/223  
 D842,431 S \* 3/2019 Cacka ..... D23/213  
 D842,967 S \* 3/2019 Farley ..... D23/213  
 10,265,710 B2 4/2019 Cacka et al.  
 D855,757 S \* 8/2019 Cacka ..... D23/213  
 10,478,837 B2 11/2019 Cacka et al.  
 D913,419 S \* 3/2021 Ladwig ..... D23/223  
 2014/0367482 A1 \* 12/2014 Cacka ..... B05B 1/3026  
 239/11  
 2015/0211728 A1 \* 7/2015 Zhadanov ..... B05B 1/185  
 362/96  
 2017/0297039 A1 \* 10/2017 Cacka ..... B05B 1/1636  
 2018/0065131 A1 \* 3/2018 Rogers ..... B05B 1/1627

2018/0214895 A1 8/2018 Cacka et al.  
 2019/0039079 A1 \* 2/2019 Lin ..... B05B 12/04  
 2019/0210045 A1 7/2019 Cacka et al.

FOREIGN PATENT DOCUMENTS

CA 3001403 A1 12/2014  
 CA 2977232 C 10/2019  
 CN 106061618 A 10/2016  
 EP 3007829 B1 2/2019  
 EP 3513878 A1 7/2019  
 EP 3513879 A1 7/2019  
 HK 1223325 A1 7/2017  
 WO 2014201420 A1 12/2014

OTHER PUBLICATIONS

“Waterpik XET-633-643” Aug. 14, 2018, Amazon, site visited Apr. 12, 2021: <https://www.amazon.ca/dp/B07GBN8NCK/> (Year: 2018).\*

\* cited by examiner

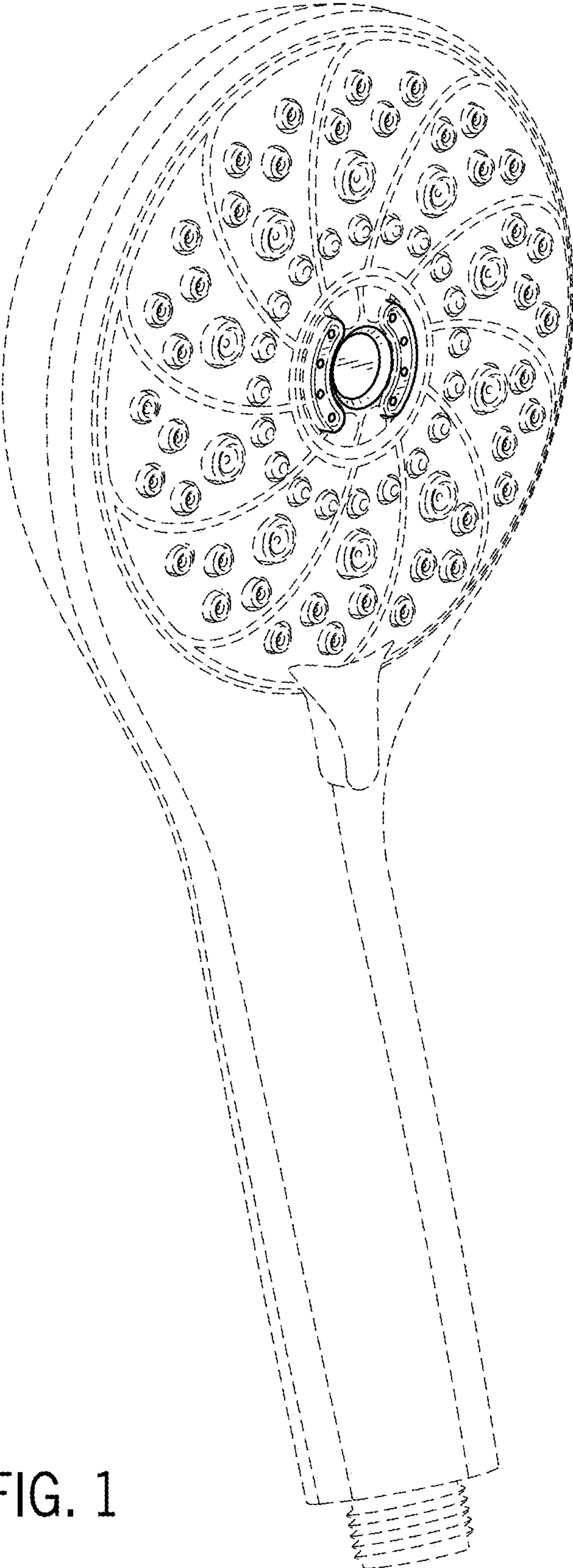


FIG. 1



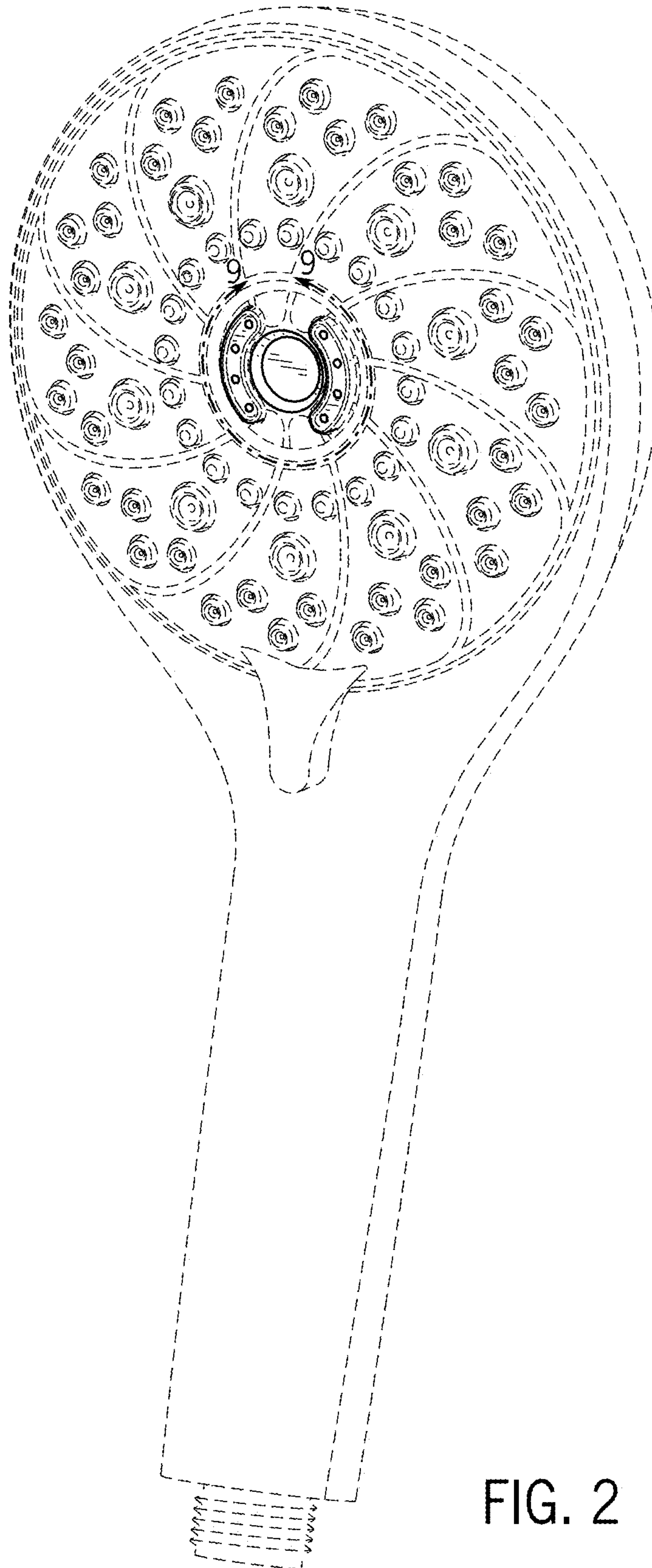


FIG. 2

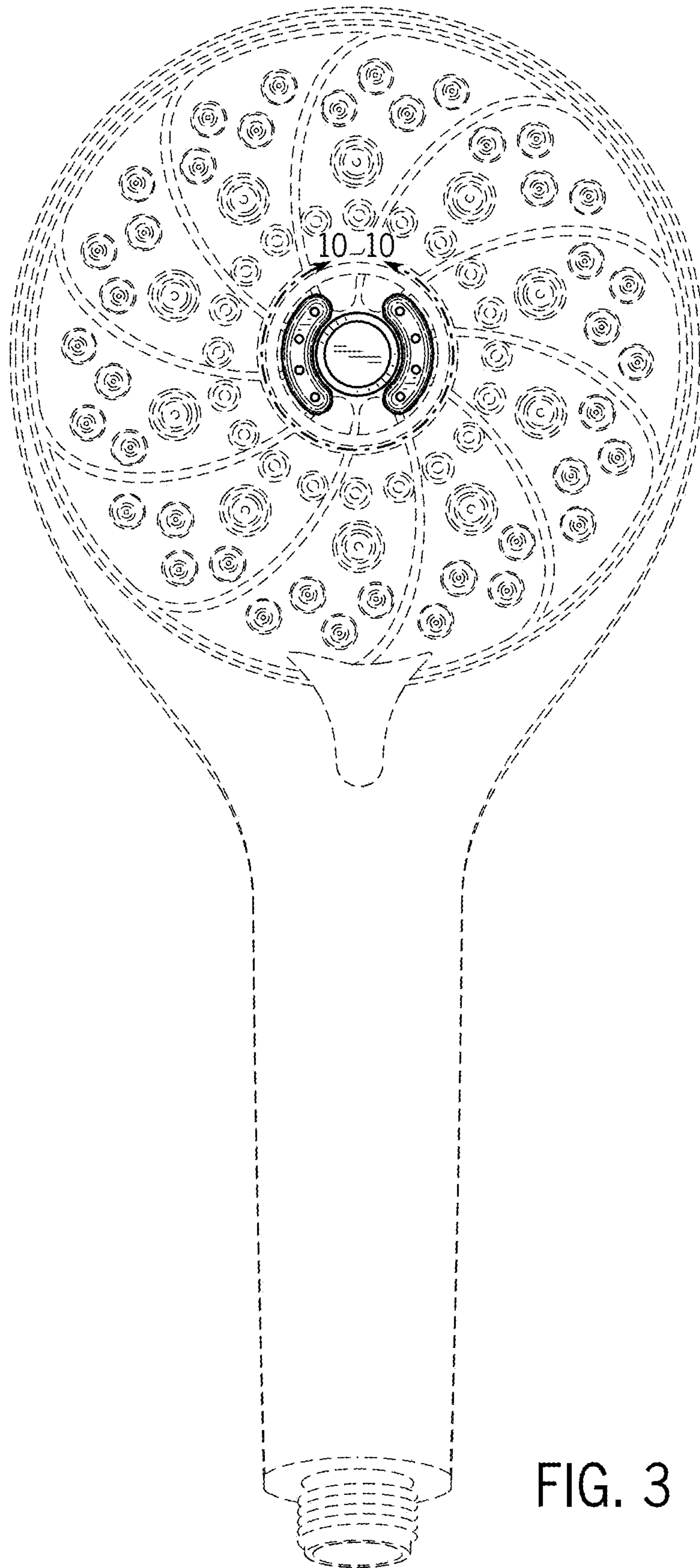


FIG. 3

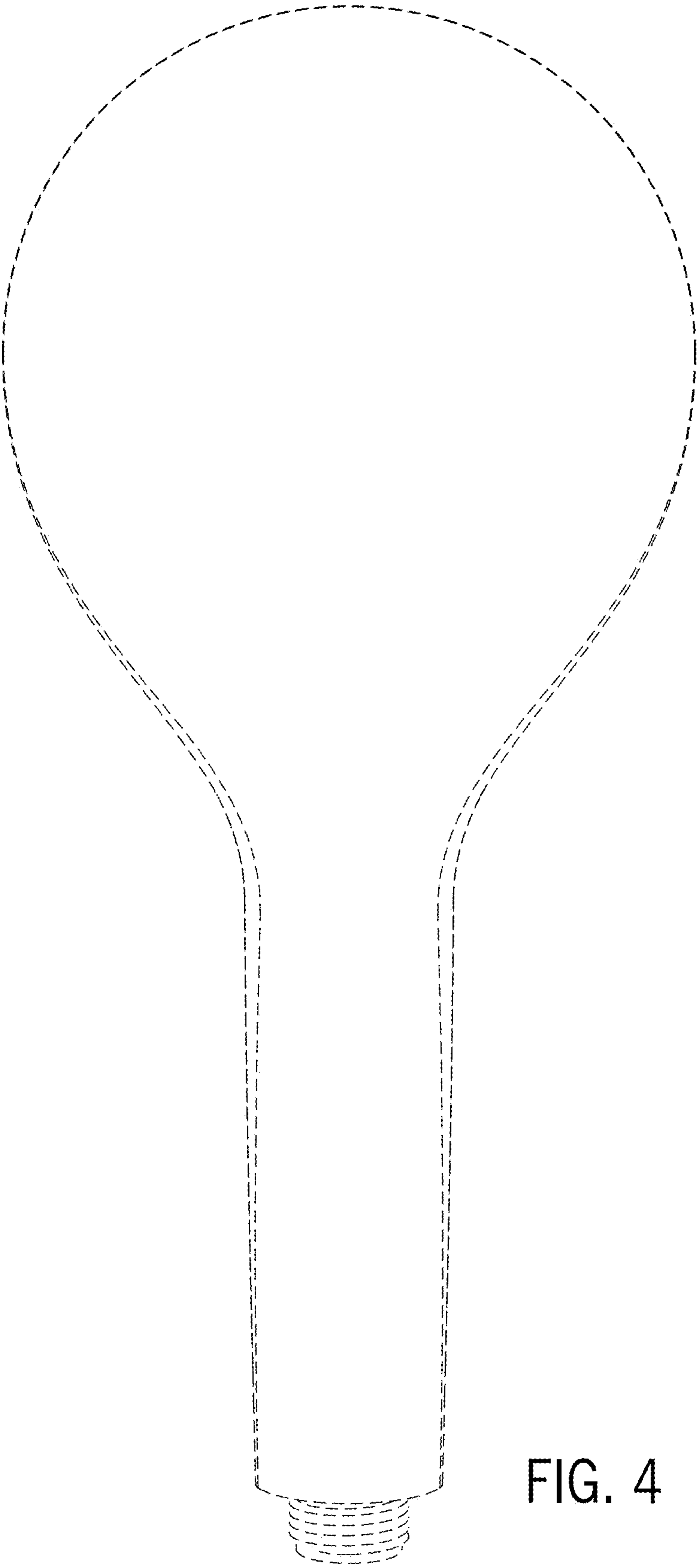


FIG. 4



FIG. 5

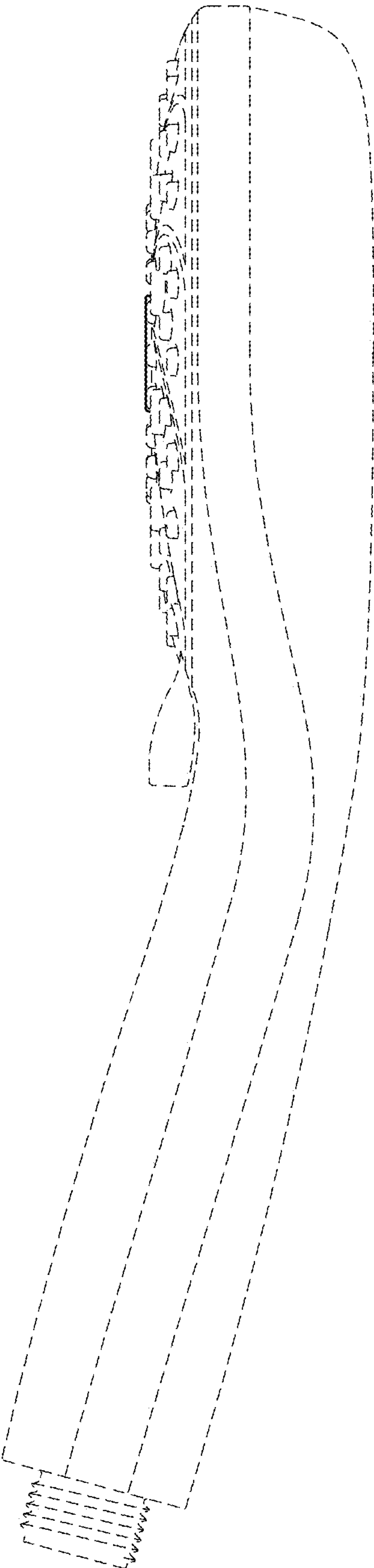


FIG. 6



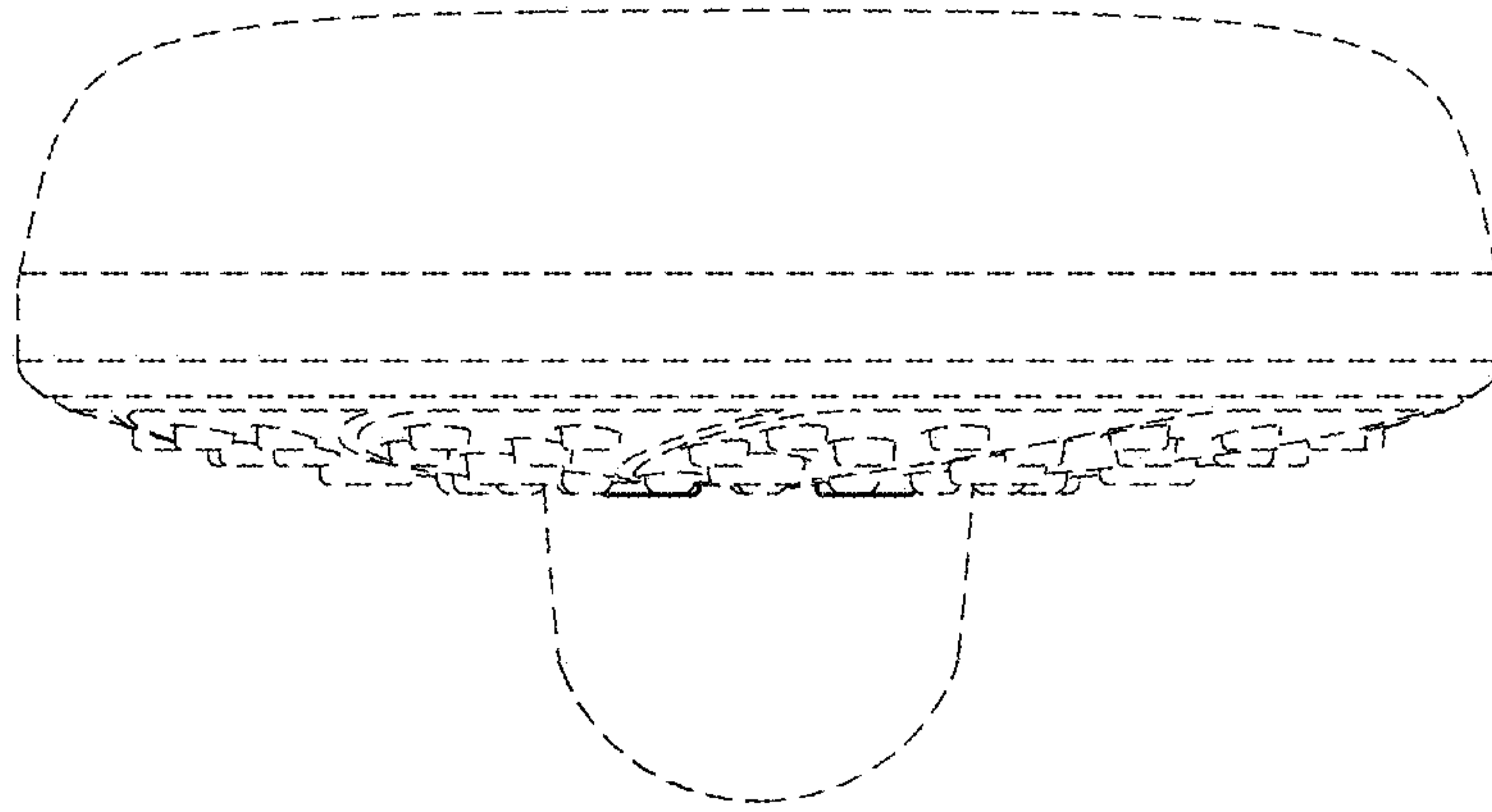


FIG. 7

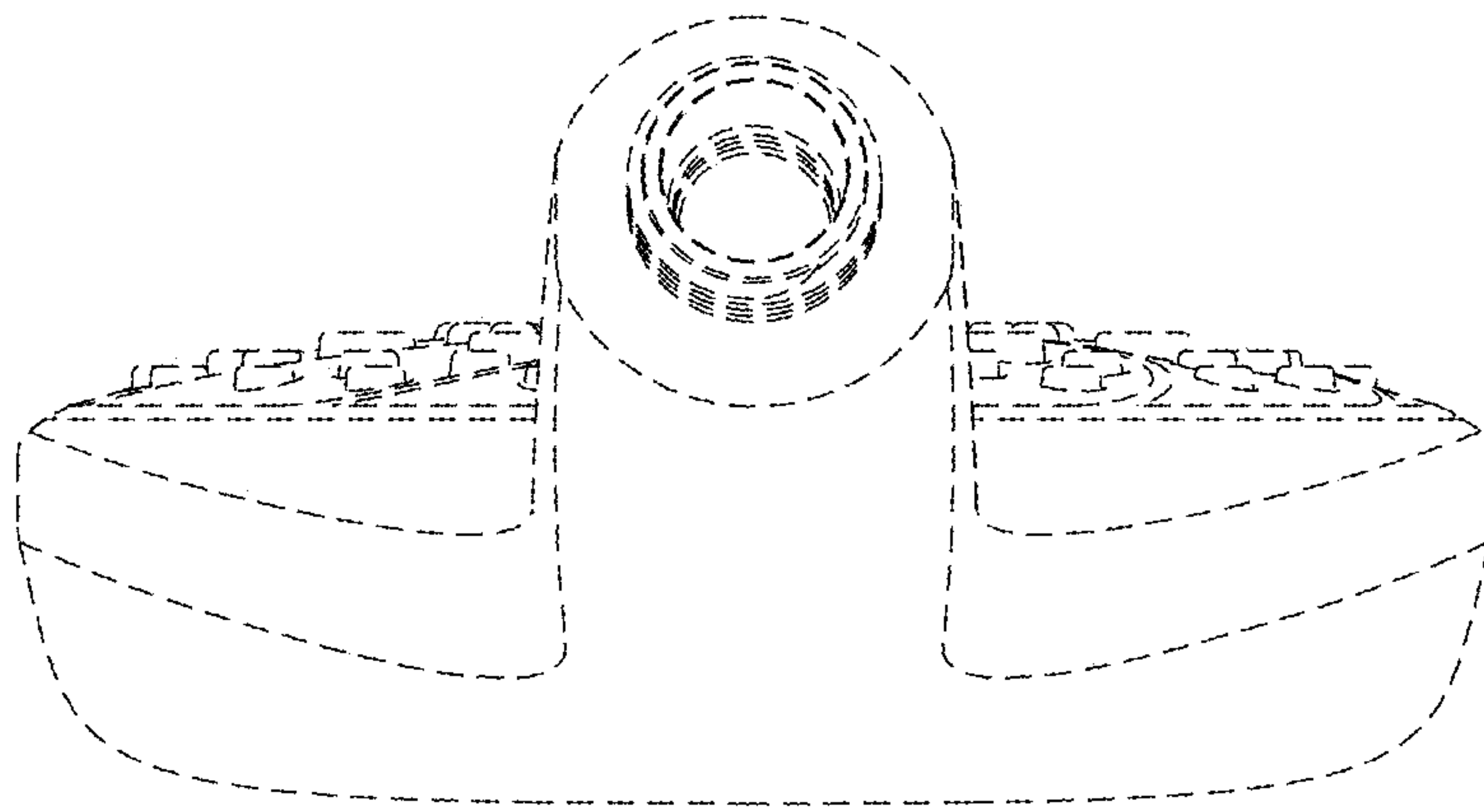


FIG. 8

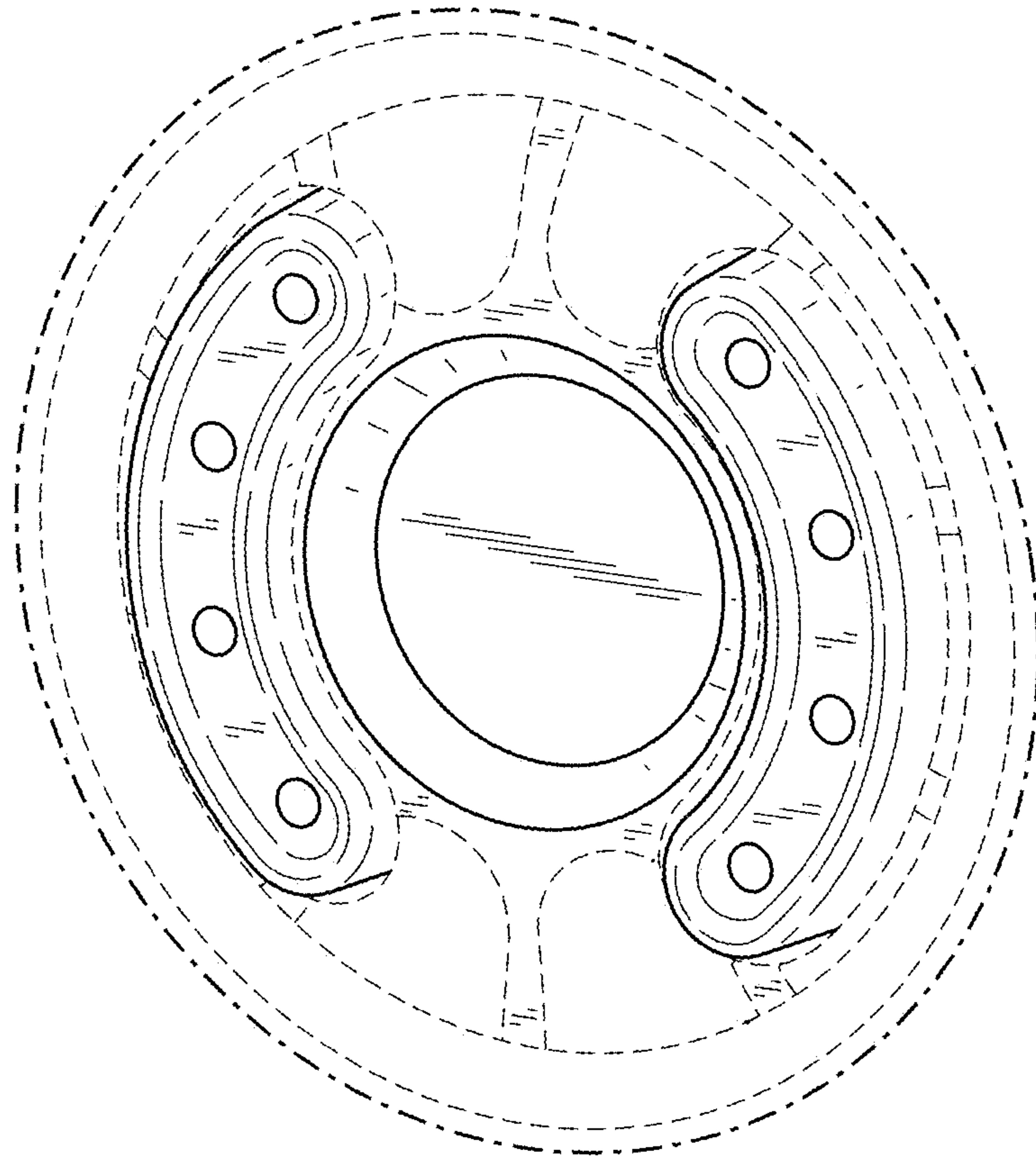


FIG. 9

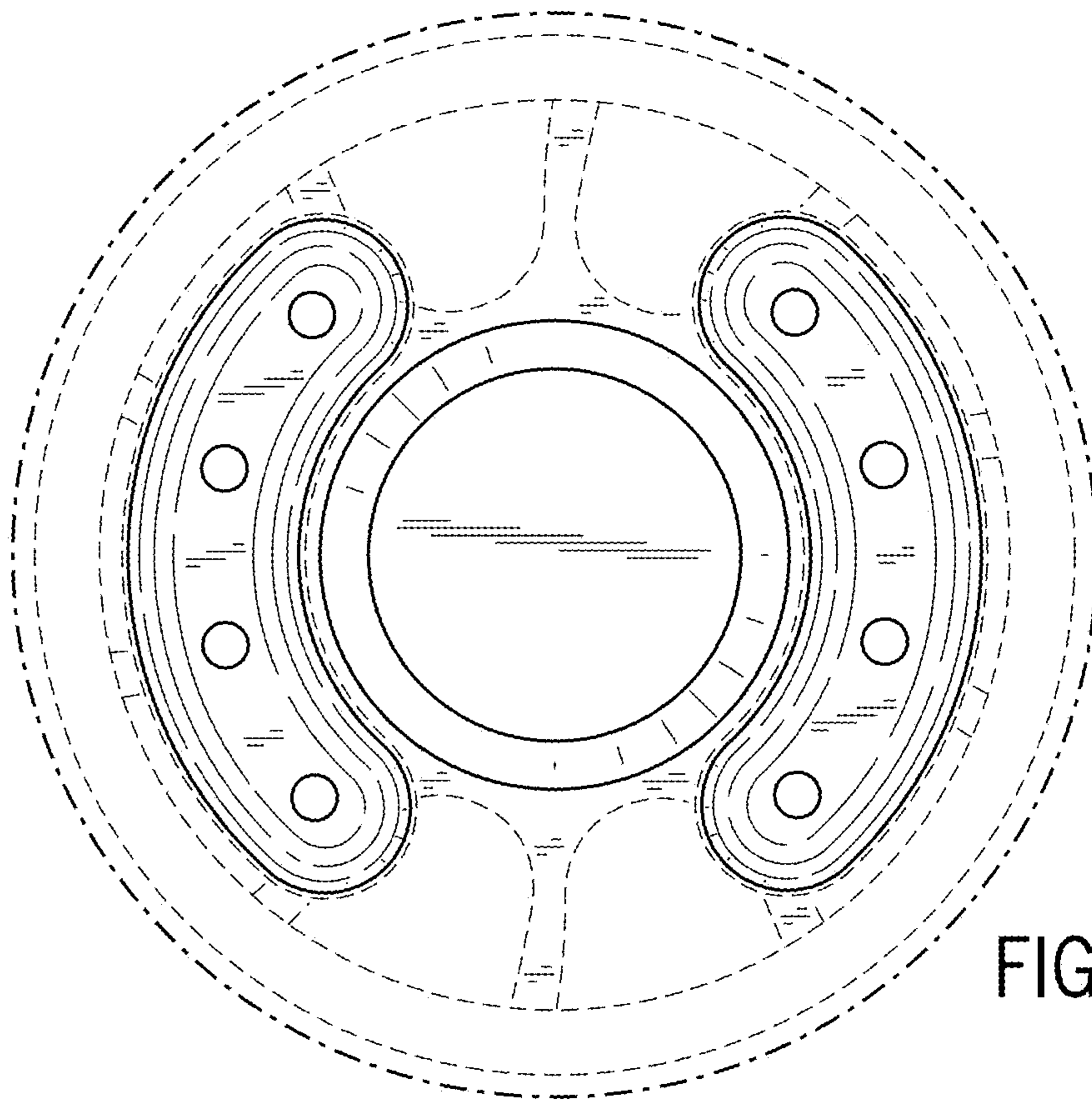


FIG. 10