



US00D928282S

(12) **United States Design Patent**  
**Rogers et al.**

(10) **Patent No.:** **US D928,282 S**  
(45) **Date of Patent:** **\*\* Aug. 17, 2021**

(54) **SHOWERHEAD**

(71) Applicant: **WATER PIK, INC.**, Fort Collins, CO  
(US)

(72) Inventors: **Craig P. Rogers**, Fort Collins, CO  
(US); **Adam Weisgerber**, Shoreline,  
WA (US); **Jeffrey Ladwig**, Seattle, WA  
(US)

(73) Assignee: **WATER PIK, INC.**, Fort Collins, CO  
(US)

(\*\*) Term: **15 Years**

(21) Appl. No.: **29/709,155**

(22) Filed: **Oct. 11, 2019**

(51) **LOC (13) Cl.** ..... **23-01**

(52) **U.S. Cl.**  
USPC ..... **D23/213**

(58) **Field of Classification Search**  
USPC ..... D23/213, 223, 226, 228, 229, 230, 238,  
D23/239, 240, 241, 249

(Continued)

(56) **References Cited**

**U.S. PATENT DOCUMENTS**

D332,303 S \* 1/1993 Klose ..... D23/223  
D392,369 S \* 3/1998 Chan ..... D23/223

(Continued)

**OTHER PUBLICATIONS**

“Waterpik LBT-563M” May 2, 2018, Amazon, site visited Apr. 12,  
2021: <https://www.amazon.ca/dp/B07CS5C2CK/> (Year: 2018).\*

(Continued)

*Primary Examiner* — Jack Reickel

*Assistant Examiner* — Bobby W Jones, II

(74) *Attorney, Agent, or Firm* — Dorsey & Whitney LLP

(57) **CLAIM**

We claim the ornamental design for a showerhead, as shown  
and described.

**DESCRIPTION**

FIG. 1 is a front isometric view of a first embodiment of a  
showerhead.

FIG. 2 is another front isometric view of the showerhead of  
FIG. 1.

FIG. 3 is a front elevation view of the showerhead of FIG.  
1.

FIG. 4 is a rear elevation view of the showerhead of FIG. 1.  
FIG. 5 is a left side elevation view of the showerhead of FIG.  
1.

FIG. 6 is a right side elevation view of the showerhead of  
FIG. 1.

FIG. 7 is a top plan view of the showerhead of FIG. 1.

FIG. 8 is a bottom plan view of the showerhead of FIG. 1.

FIG. 9 is an enlarged fragmentary view taken along detail  
line 9-9 of FIG. 2.

FIG. 10 is an enlarged fragmentary view taken along detail  
line 10-10 of FIG. 3.

FIG. 11 is a front isometric view of a second embodiment of  
a showerhead.

FIG. 12 is another front isometric view of the showerhead of  
FIG. 11.

FIG. 13 is a front elevation view of the showerhead of FIG.  
11.

FIG. 14 is a rear elevation view of the showerhead of FIG.  
11.

FIG. 15 is a left side elevation view of the showerhead of  
FIG. 11.

FIG. 16 is a right side elevation view of the showerhead of  
FIG. 11.

FIG. 17 is a top plan view of the showerhead of FIG. 11.

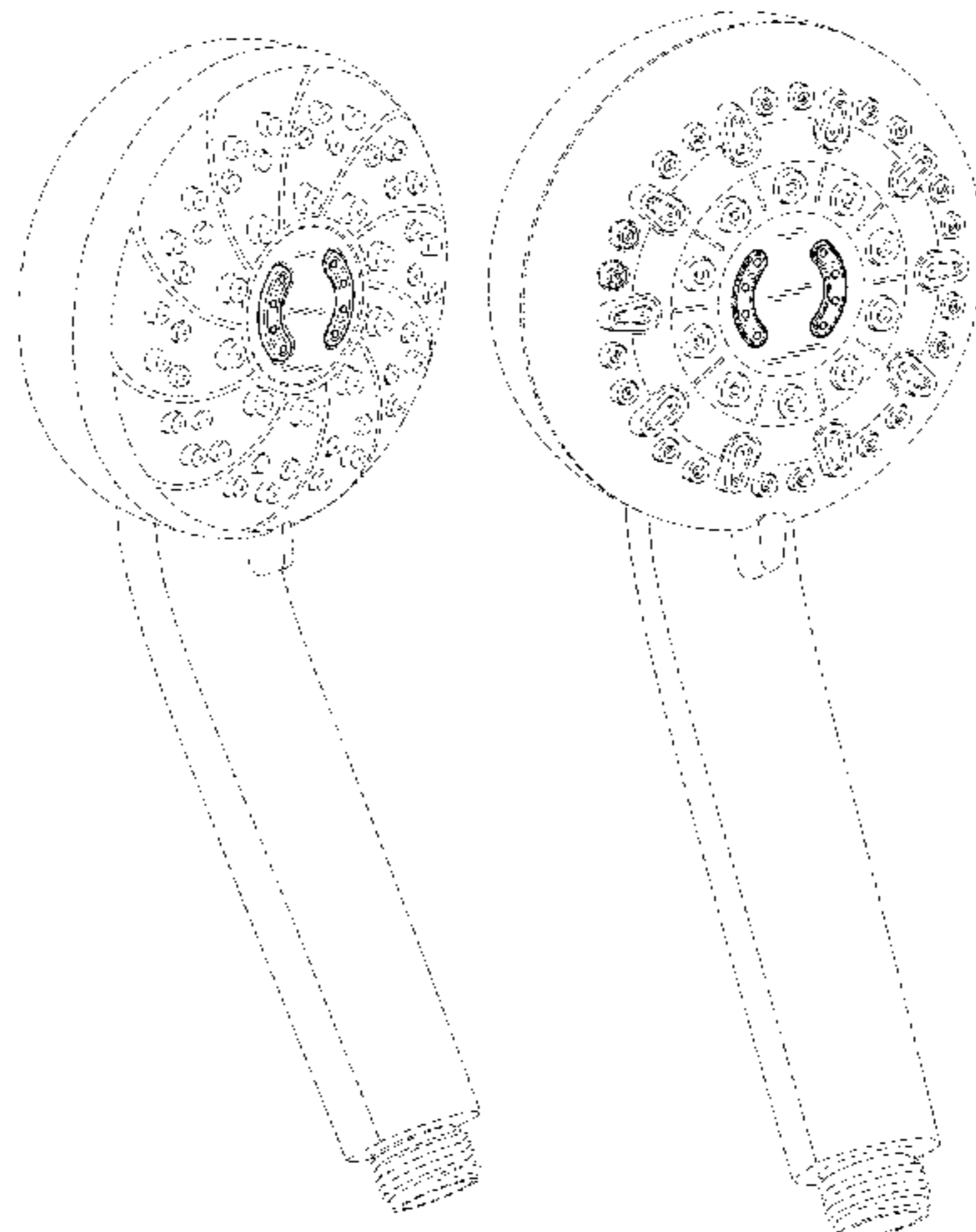
FIG. 18 is a bottom plan view of the showerhead of FIG. 11.

FIG. 19 is an enlarged fragmentary view taken along detail  
line 19-19 of FIG. 12; and,

FIG. 20 is an enlarged fragmentary view taken along detail  
line 20-20 of FIG. 13.

The broken lines illustrate portions of the showerhead that  
form no part of the claimed design.

**1 Claim, 16 Drawing Sheets**



(58) **Field of Classification Search**

CPC ..... B05B 1/16; B05B 1/1618; B05B 1/18;  
 B05B 1/185; E03C 1/0405; E03C 1/06;  
 E03C 1/063; E03C 1/066; E03C 1/084;  
 E03C 2001/0415

See application file for complete search history.

(56) **References Cited**

U.S. PATENT DOCUMENTS

D529,988	S	*	10/2006	Tse	.....	D23/223
D530,391	S	*	10/2006	Tse	.....	D23/223
D557,764	S	*	12/2007	Schonherr	.....	D23/213
D564,621	S	*	3/2008	Lammel	.....	D23/223
D581,014	S	*	11/2008	Quinn	.....	D23/223
D610,230	S	*	2/2010	Wu	.....	D23/223
D617,873	S	*	6/2010	Lee	.....	D23/229
D654,983	S	*	2/2012	Schoenherr	.....	D23/223
D667,928	S	*	9/2012	Cutler	.....	D23/223
D744,064	S	*	11/2015	Peterson	.....	D23/223
D744,065	S	*	11/2015	Peterson	.....	D23/223
D744,612	S	*	12/2015	Peterson	.....	D23/223
9,295,997	B2	*	3/2016	Harwanko	.....	B05B 3/04

9,404,243	B2		8/2016	Cacka et al.		
9,764,339	B2	*	9/2017	Yu	.....	B05B 1/18
D803,351	S	*	11/2017	Ladwig	.....	D23/223
D842,431	S	*	3/2019	Cacka	.....	D23/213
D842,967	S	*	3/2019	Farley	.....	D23/213
10,265,710	B2		4/2019	Cacka et al.		
D855,757	S	*	8/2019	Cacka	.....	D23/213
10,478,837	B2		11/2019	Cacka et al.		
10,525,488	B2		1/2020	Cacka et al.		
D913,419	S	*	3/2021	Ladwig	.....	D23/223
2014/0367482	A1	*	12/2014	Cacka	.....	B05B 1/3026 239/11
2015/0211728	A1	*	7/2015	Zhadanov	.....	B05B 1/185 362/96
2017/0297039	A1	*	10/2017	Cacka	.....	B05B 1/1636
2018/0065131	A1	*	3/2018	Rogers	.....	B05B 1/1627
2019/0039079	A1	*	2/2019	Lin	.....	B05B 12/04

OTHER PUBLICATIONS

“Waterpik XET-633-643” Aug. 14, 2018, Amazon, site visited Apr. 12, 2021: <https://www.amazon.ca/dp/B07GBN8NCK/> (Year: 2018).\*

\* cited by examiner

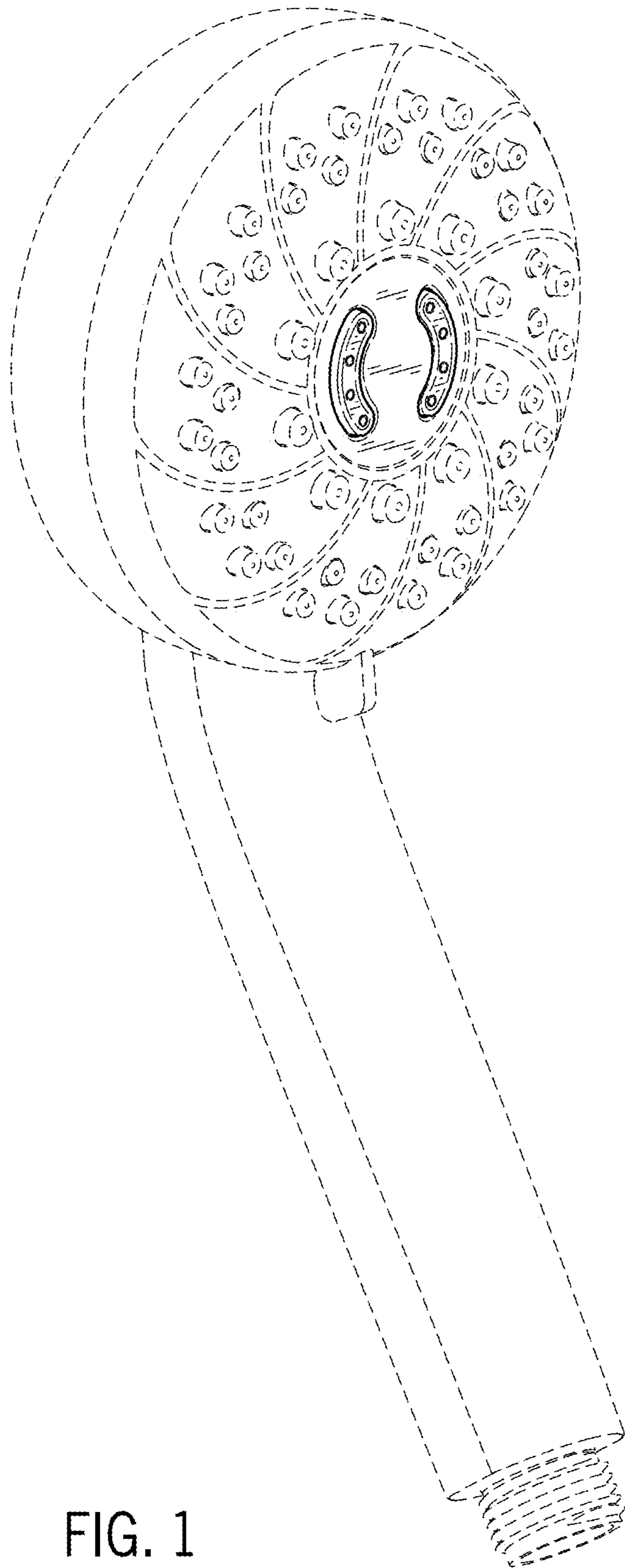


FIG. 1

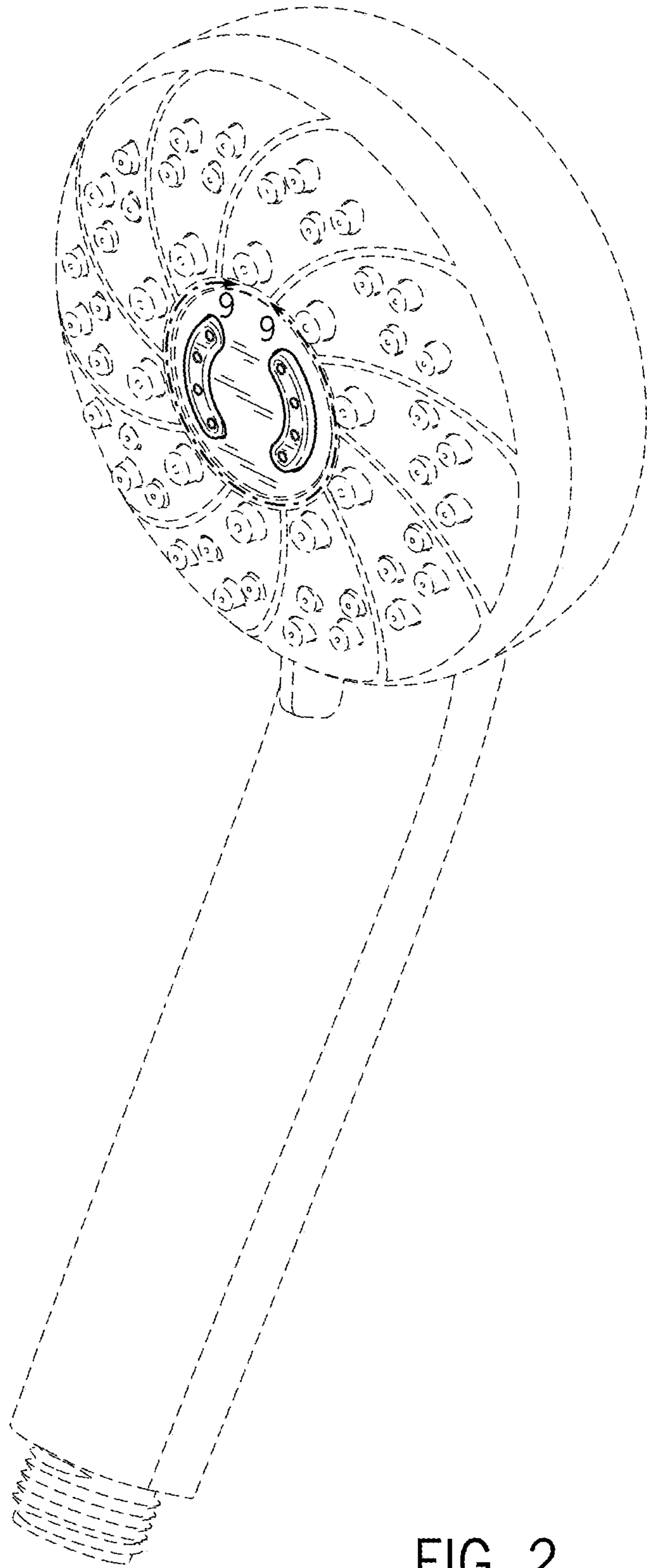


FIG. 2



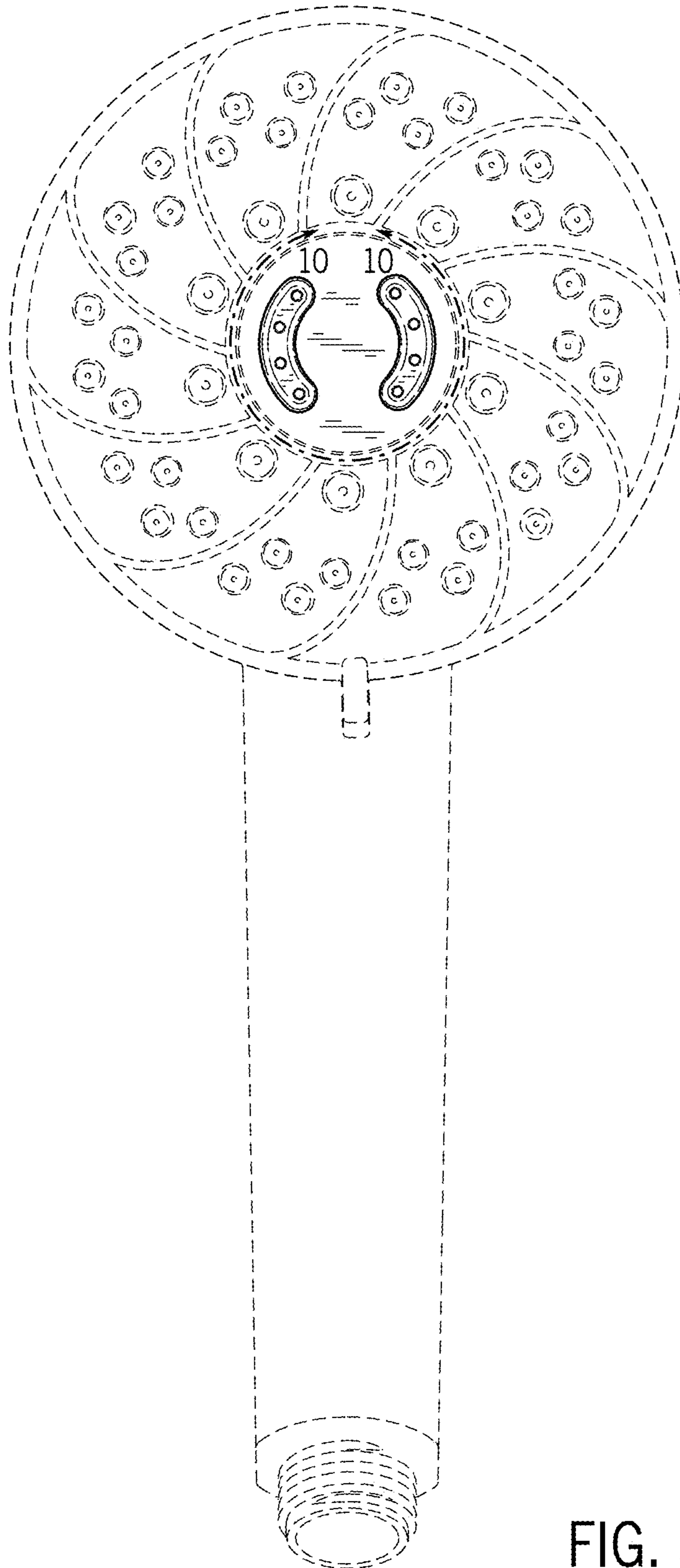


FIG. 3

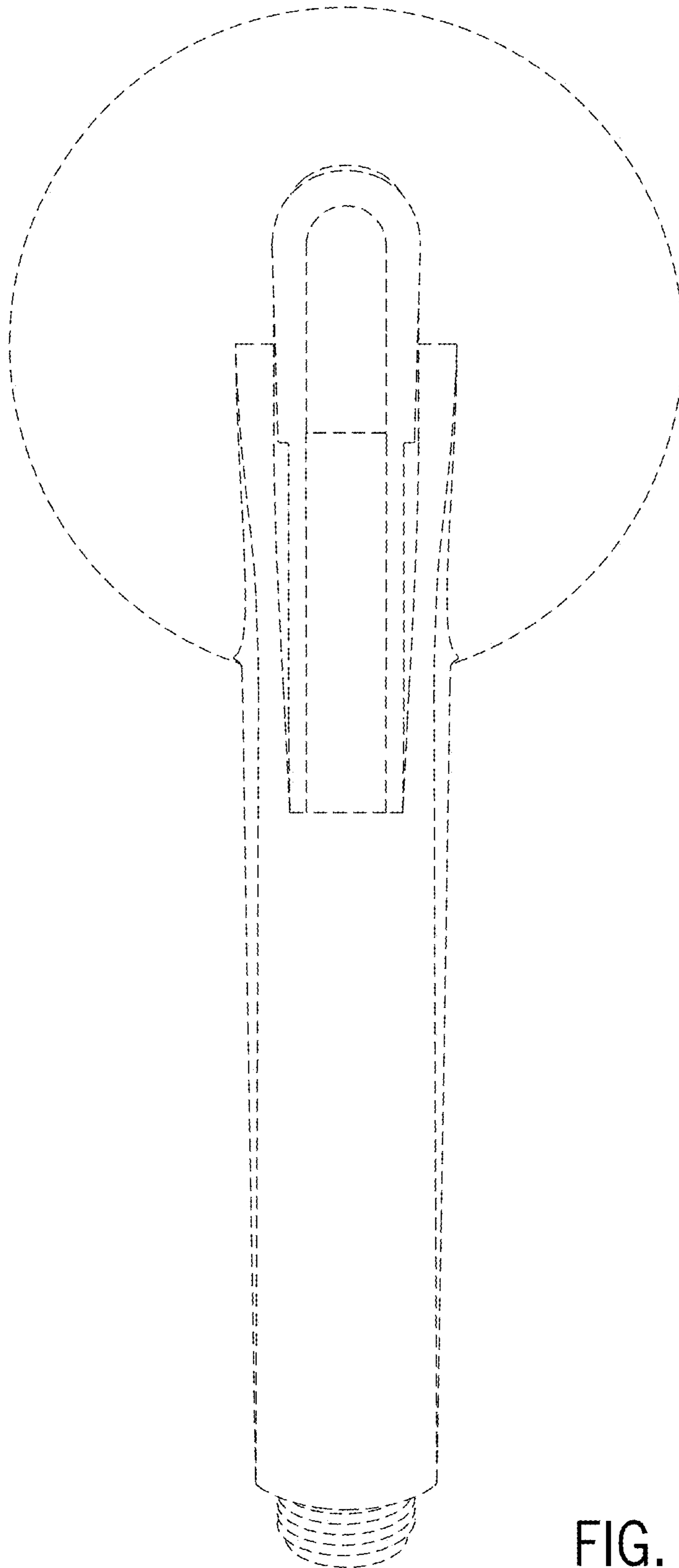


FIG. 4

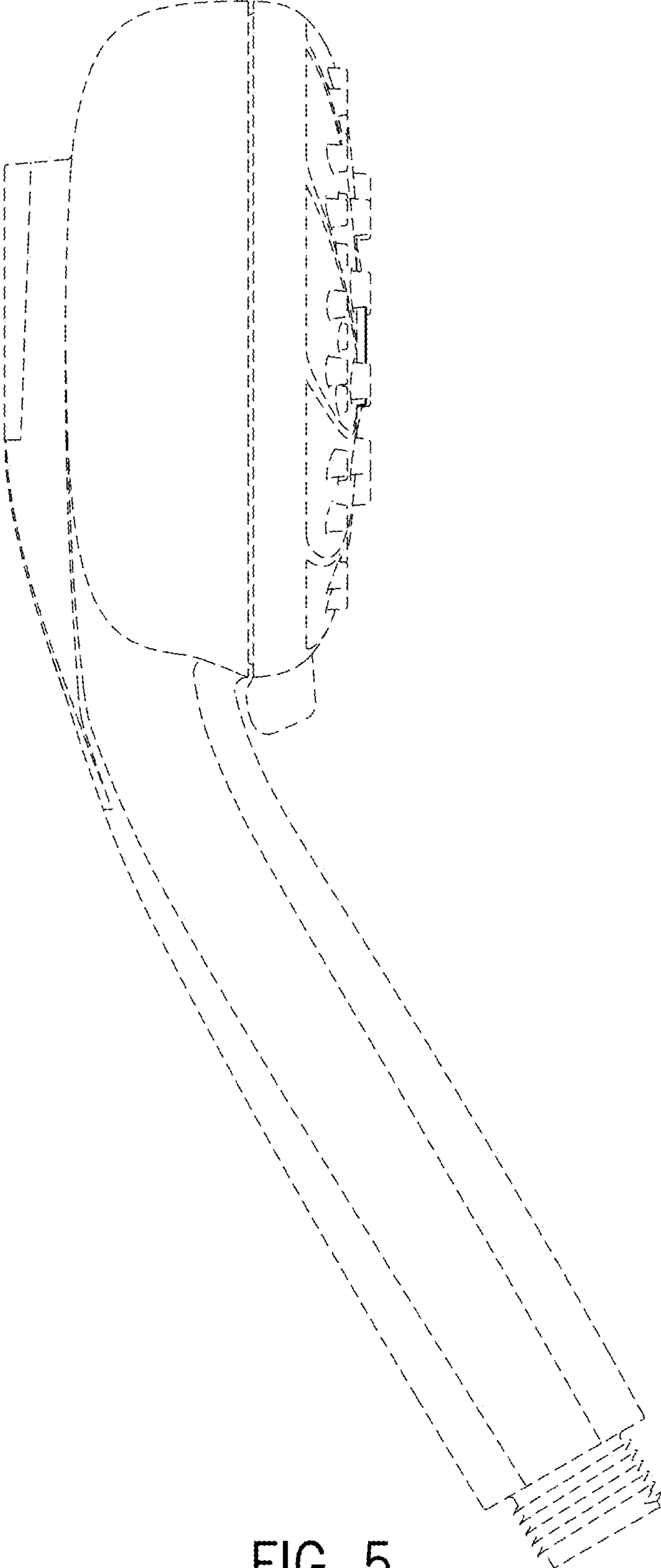


FIG. 5

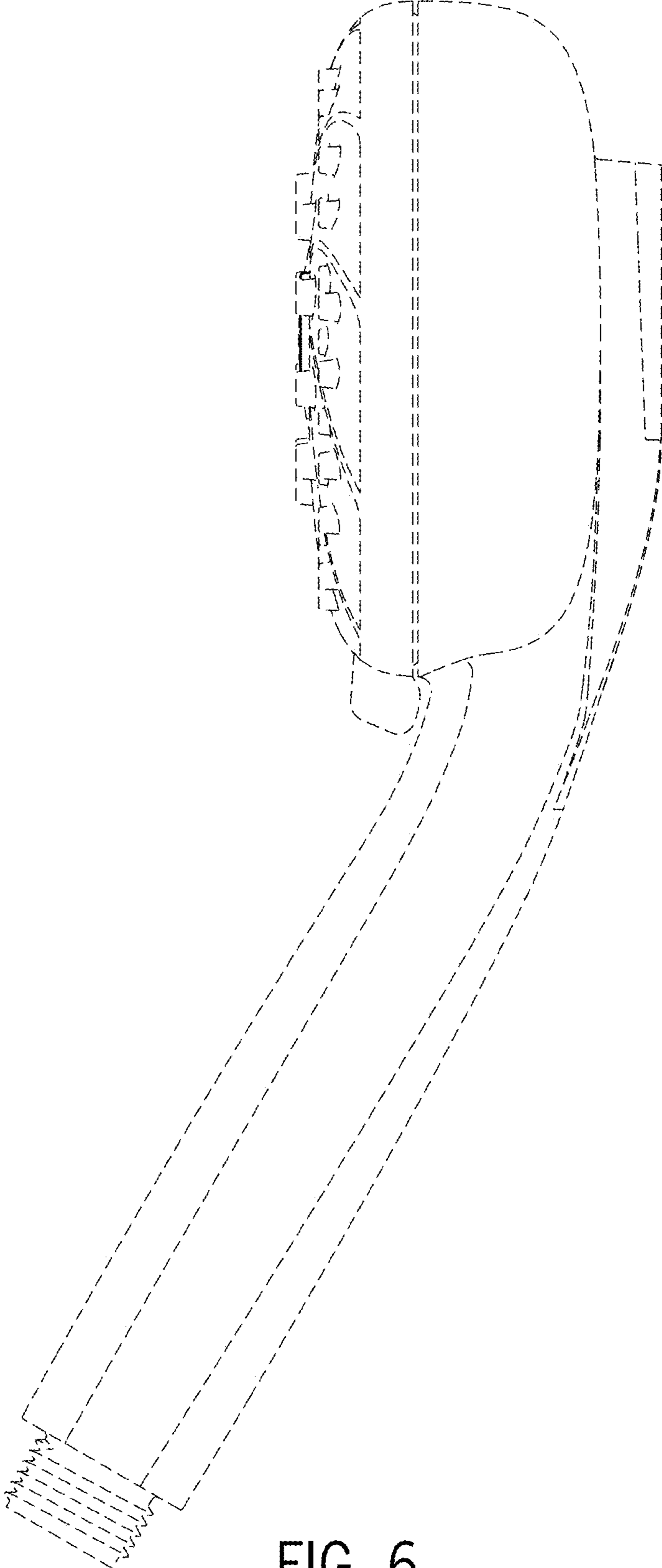


FIG. 6



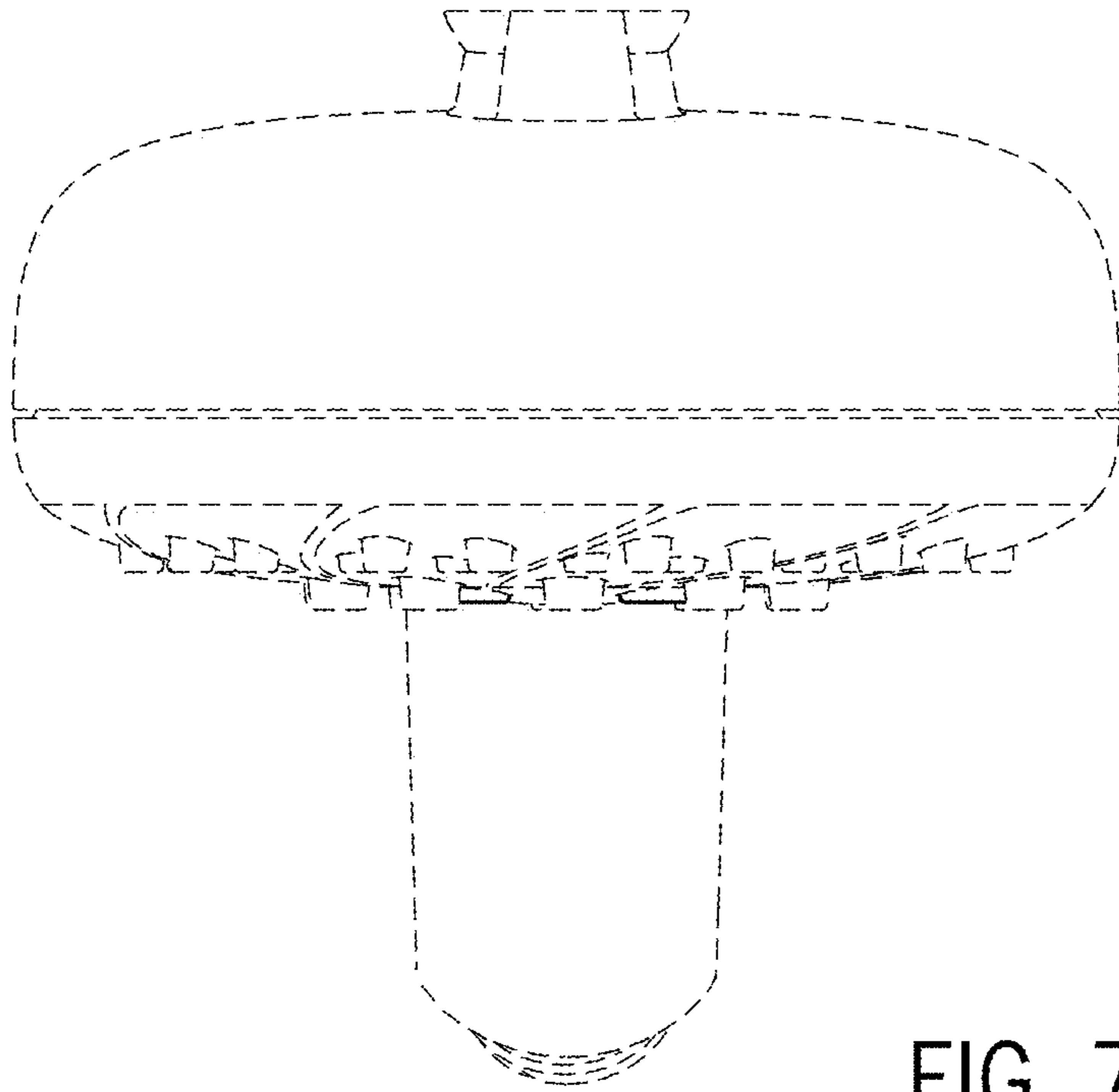


FIG. 7

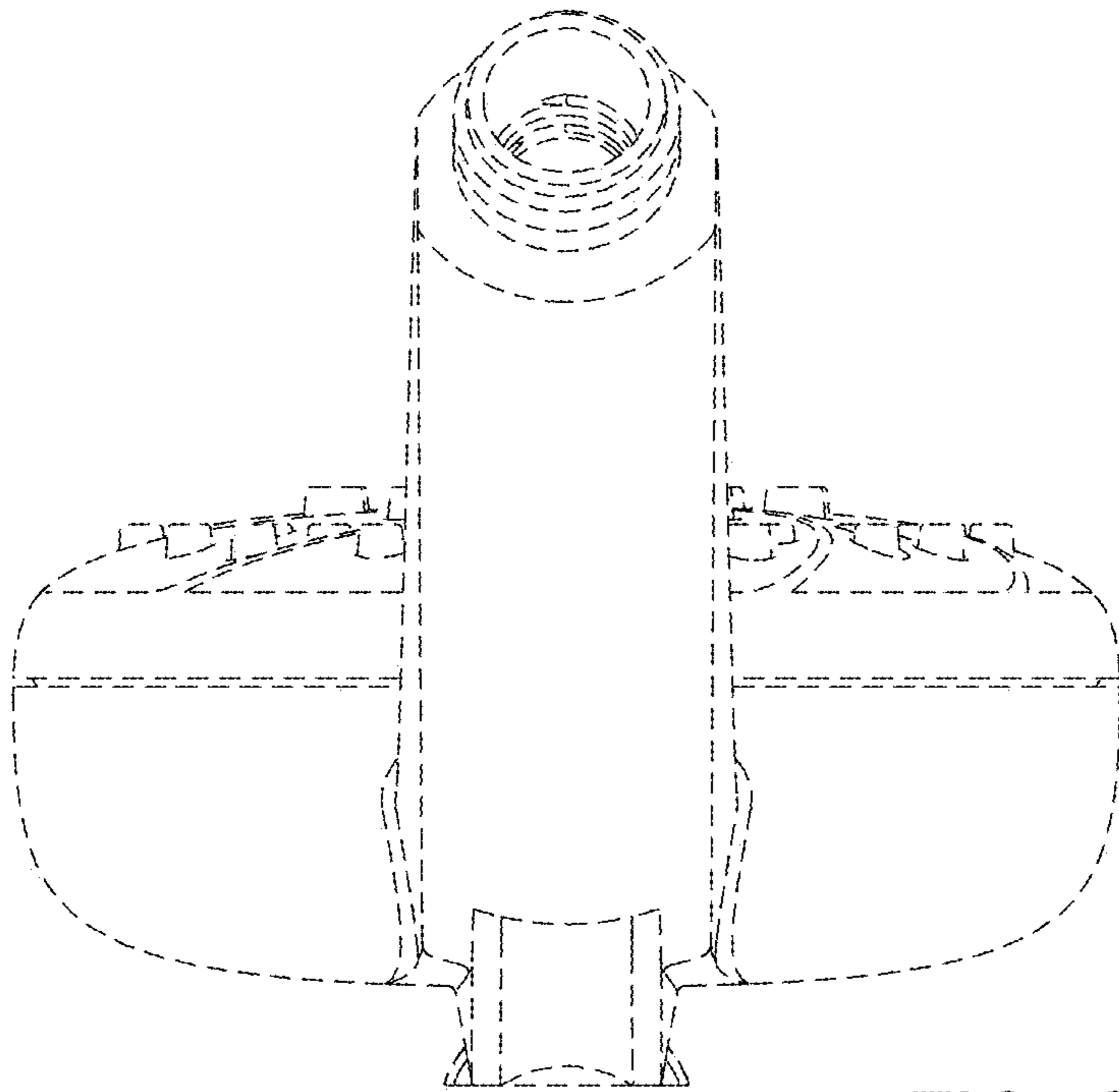


FIG. 8

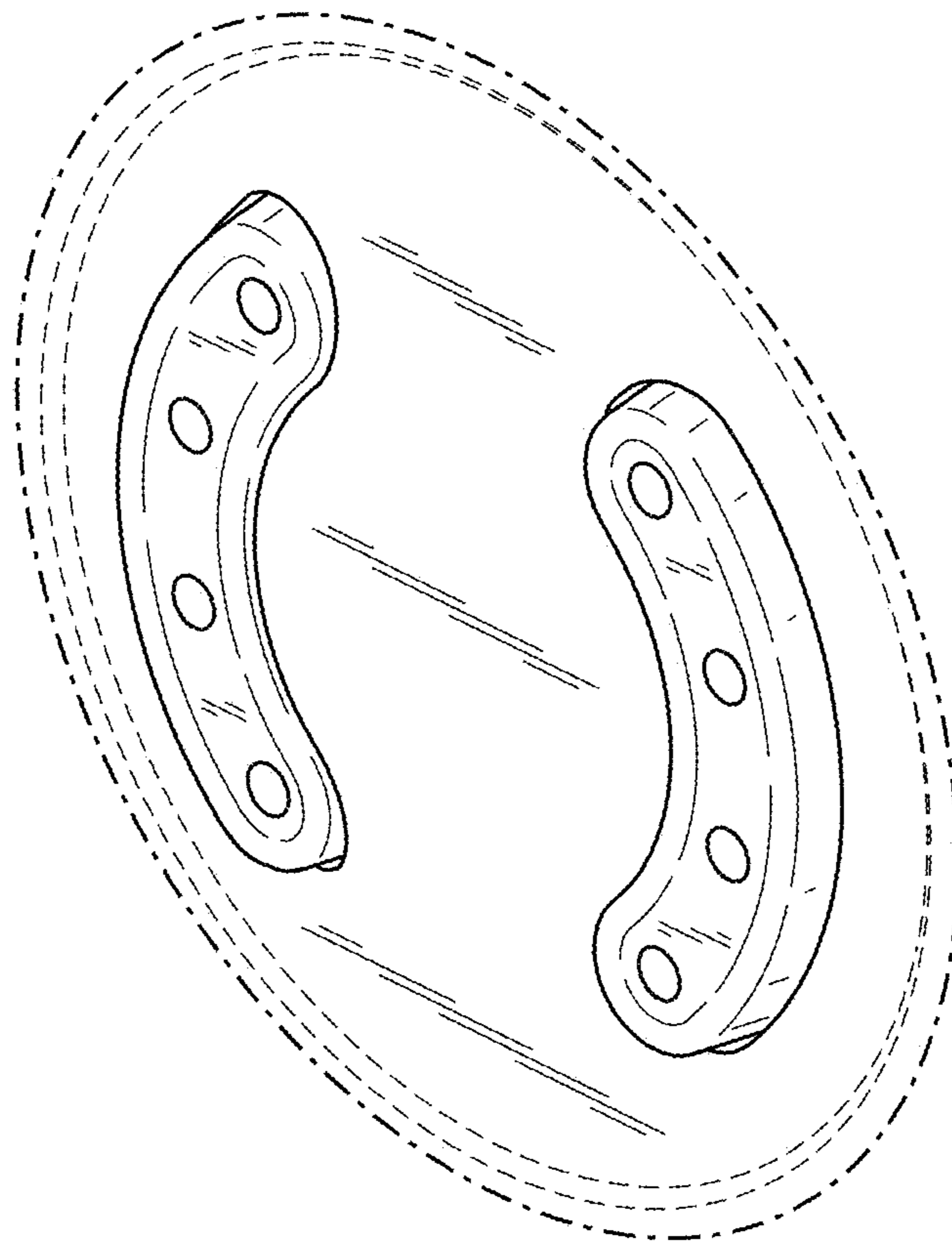


FIG. 9

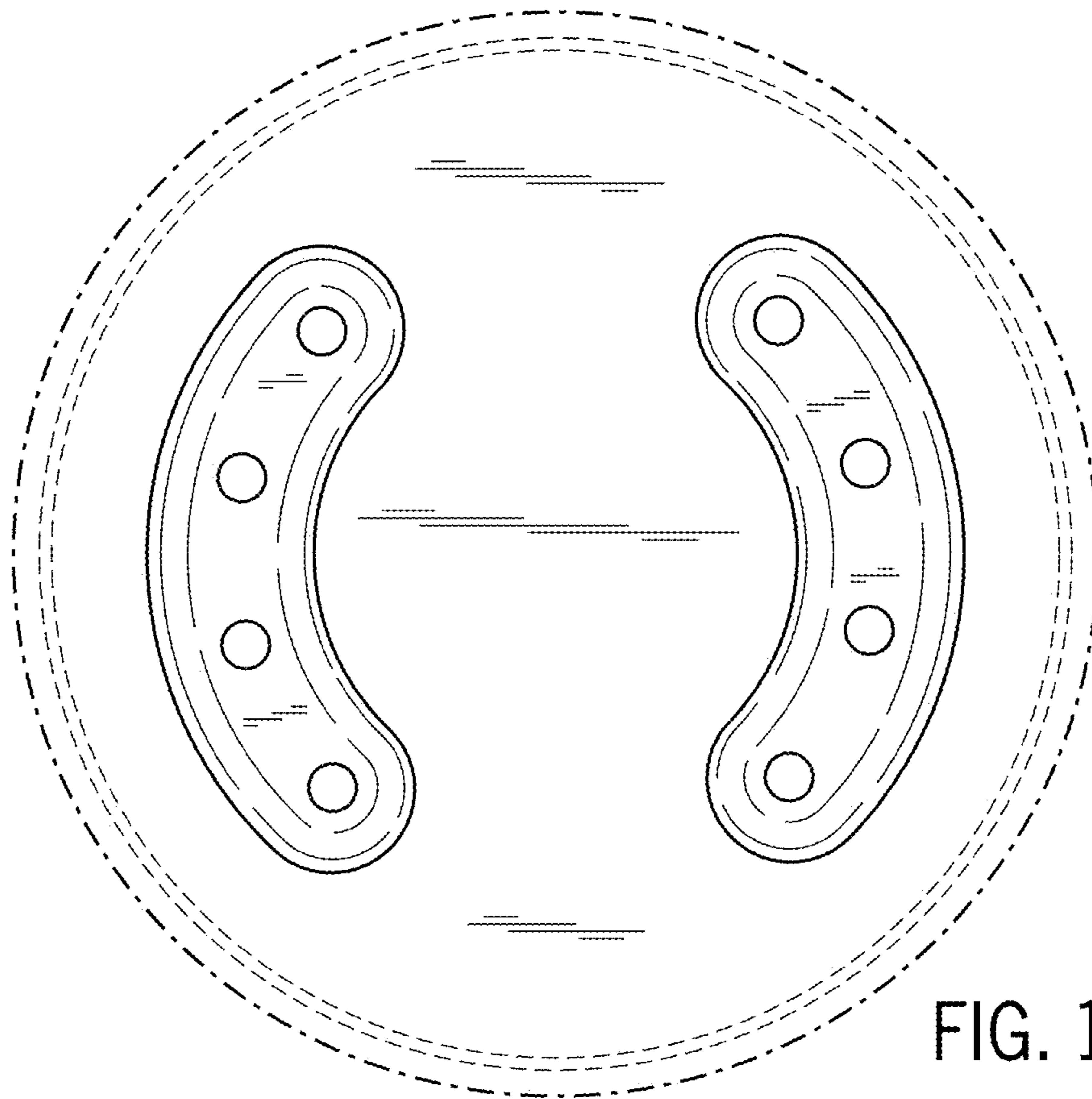


FIG. 10

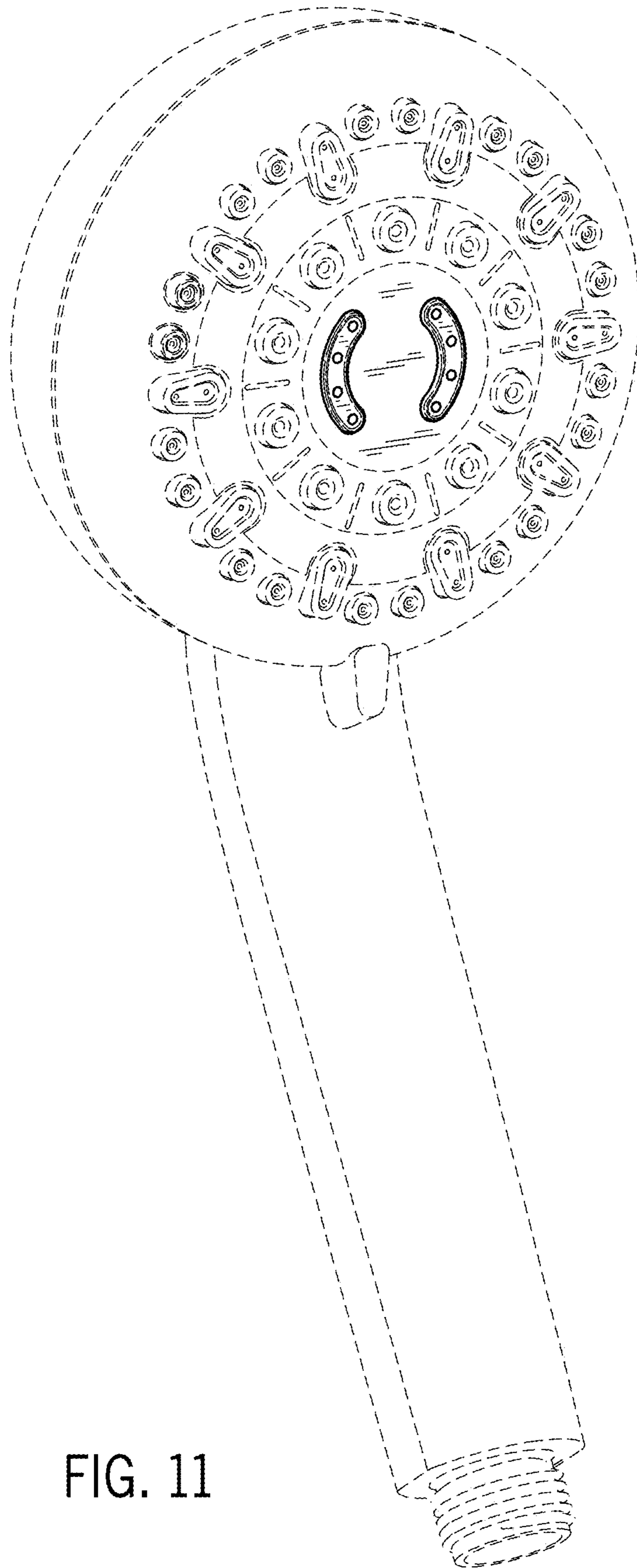


FIG. 11

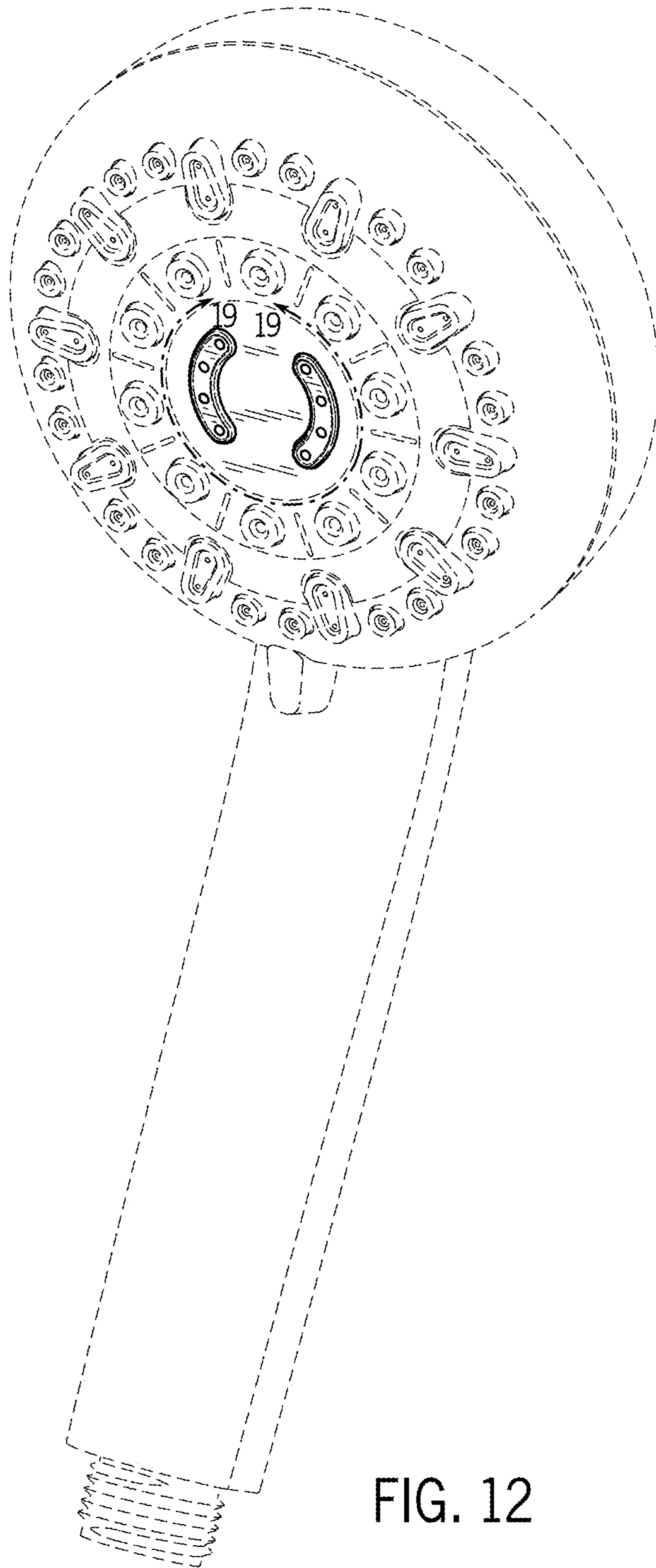


FIG. 12

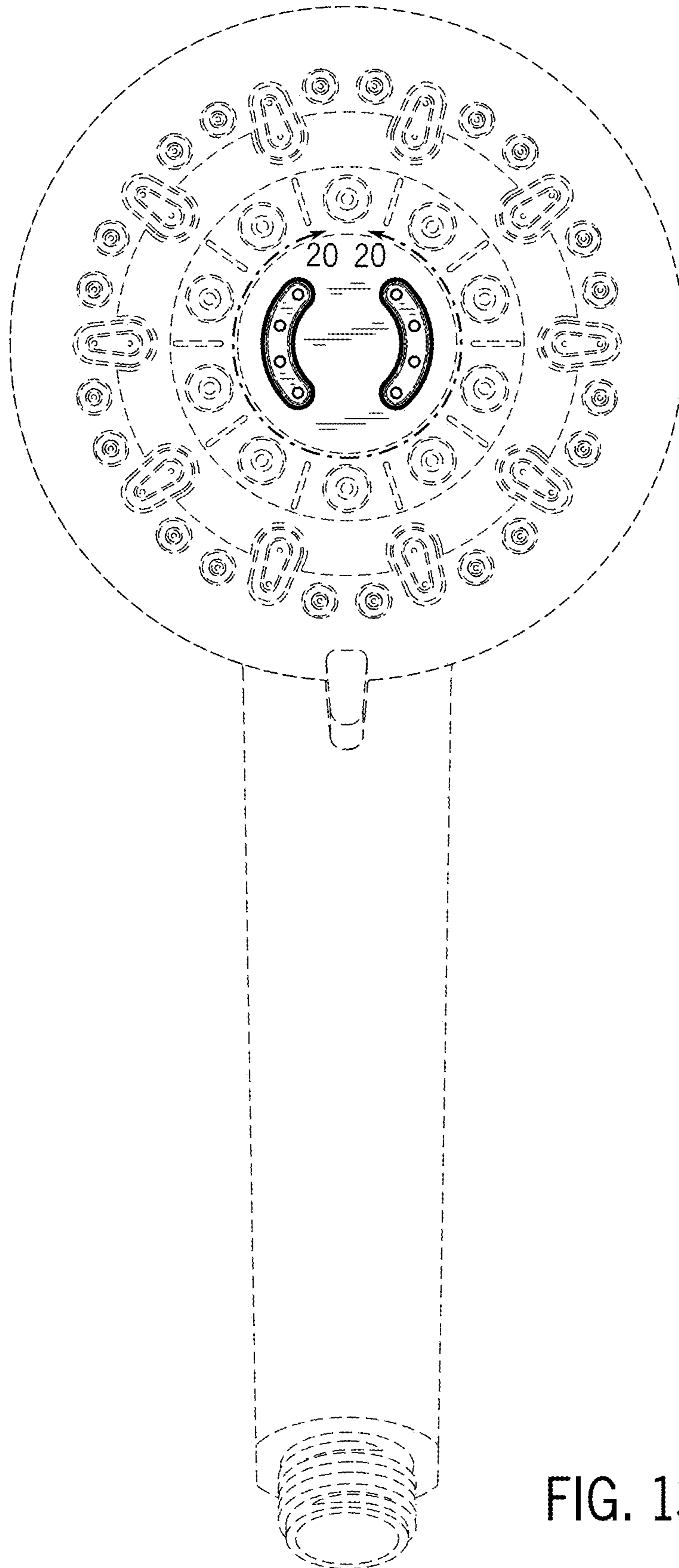


FIG. 13



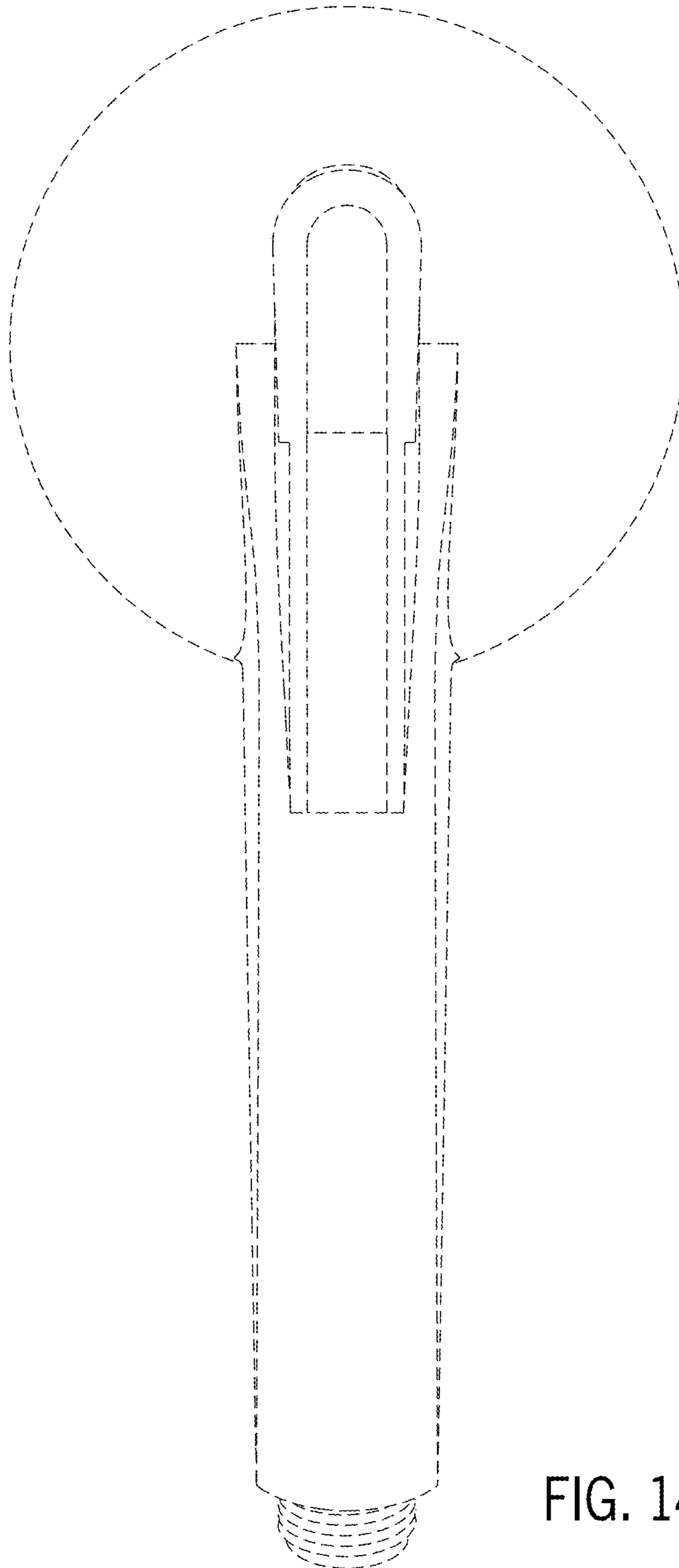


FIG. 14

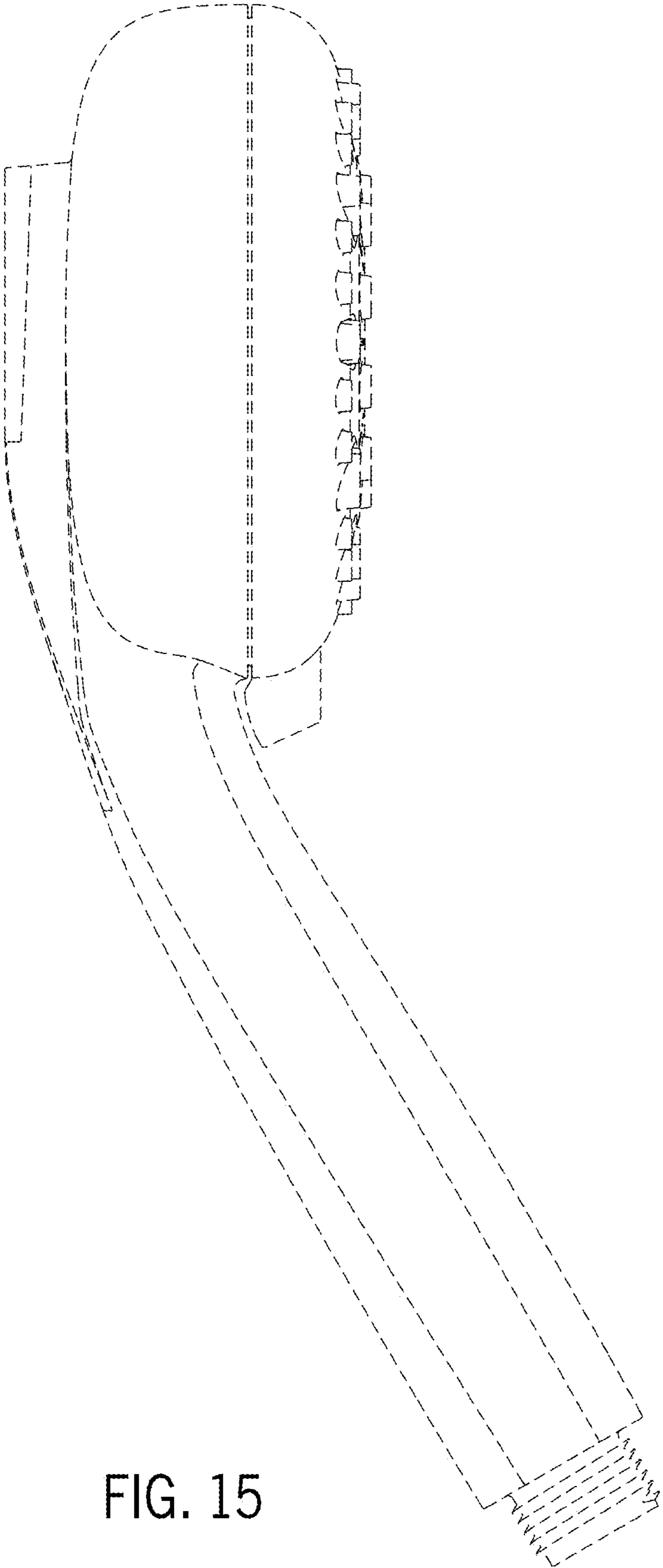


FIG. 15

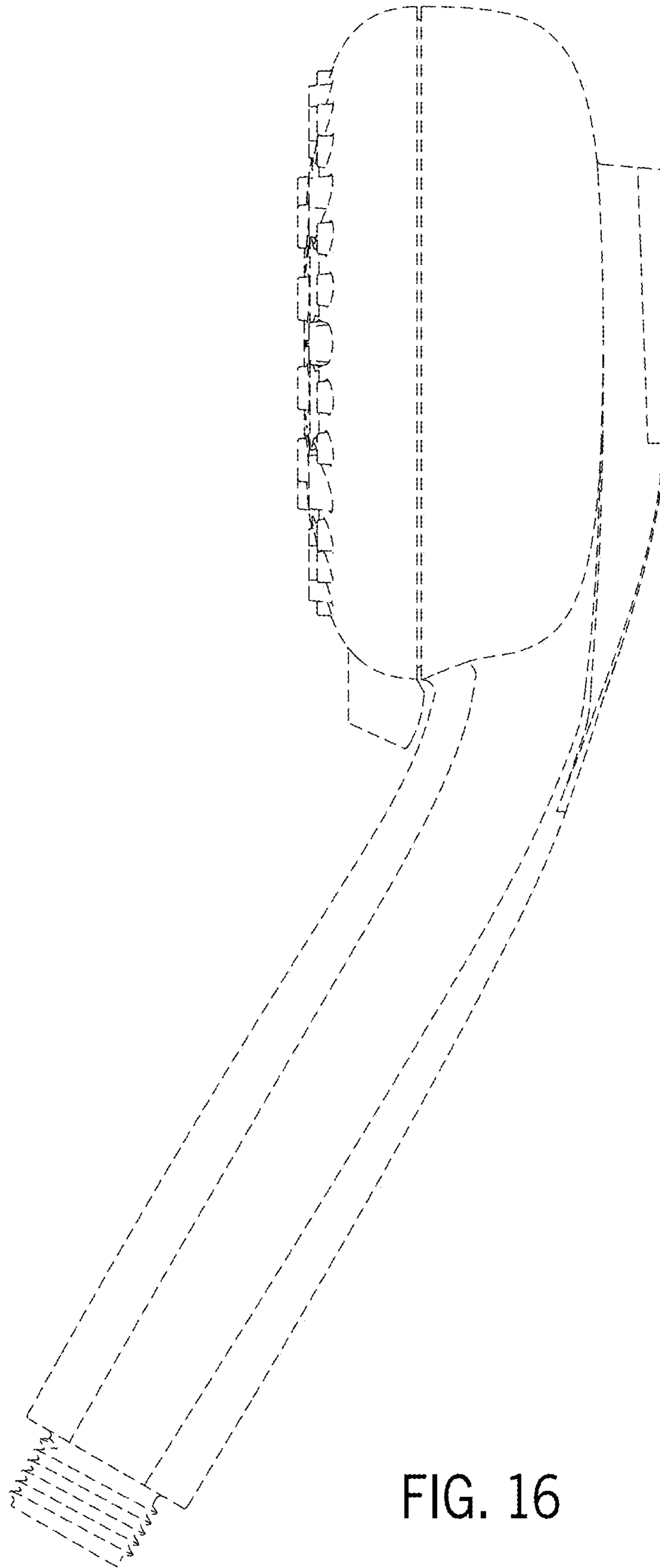


FIG. 16

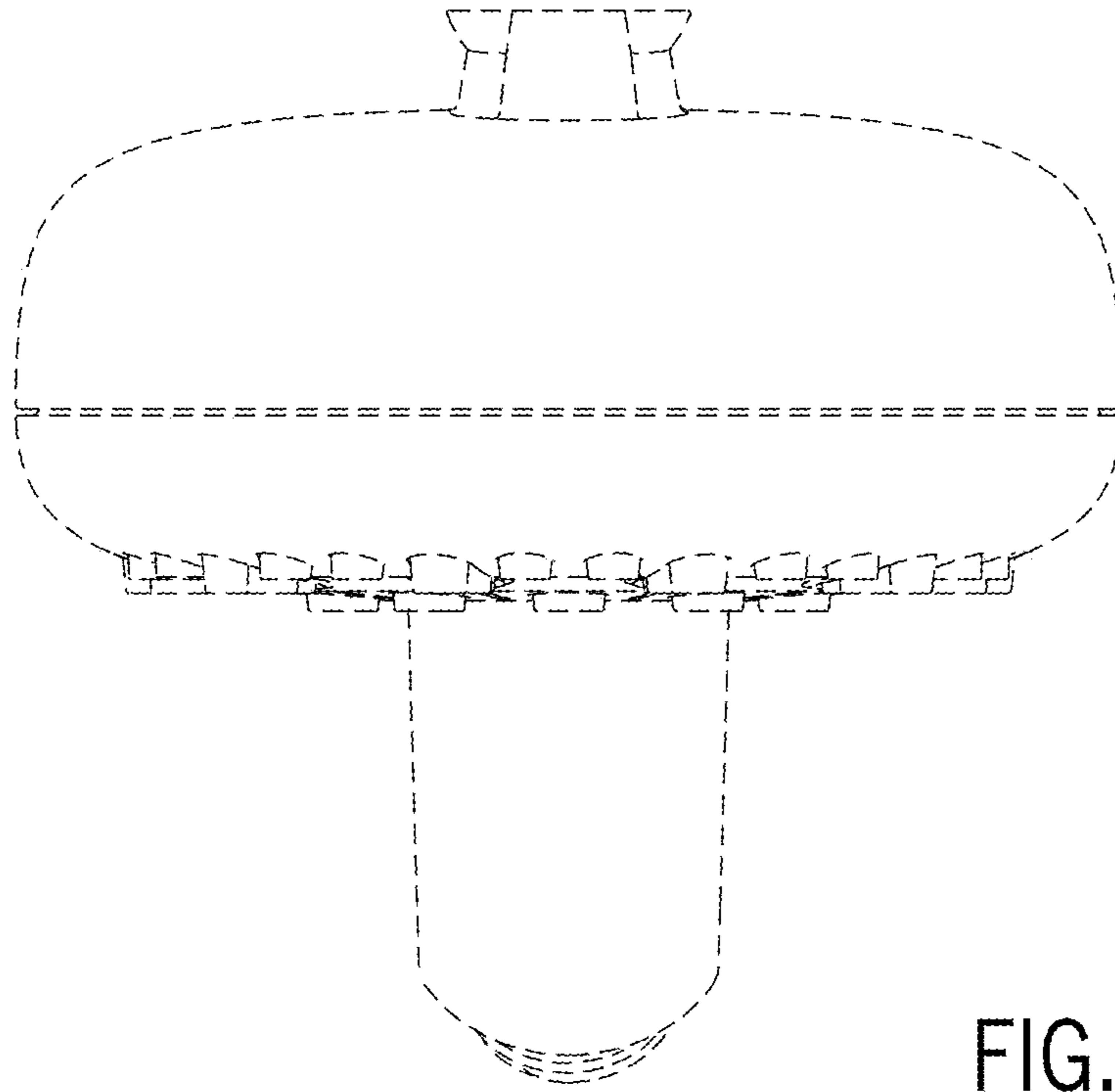


FIG. 17

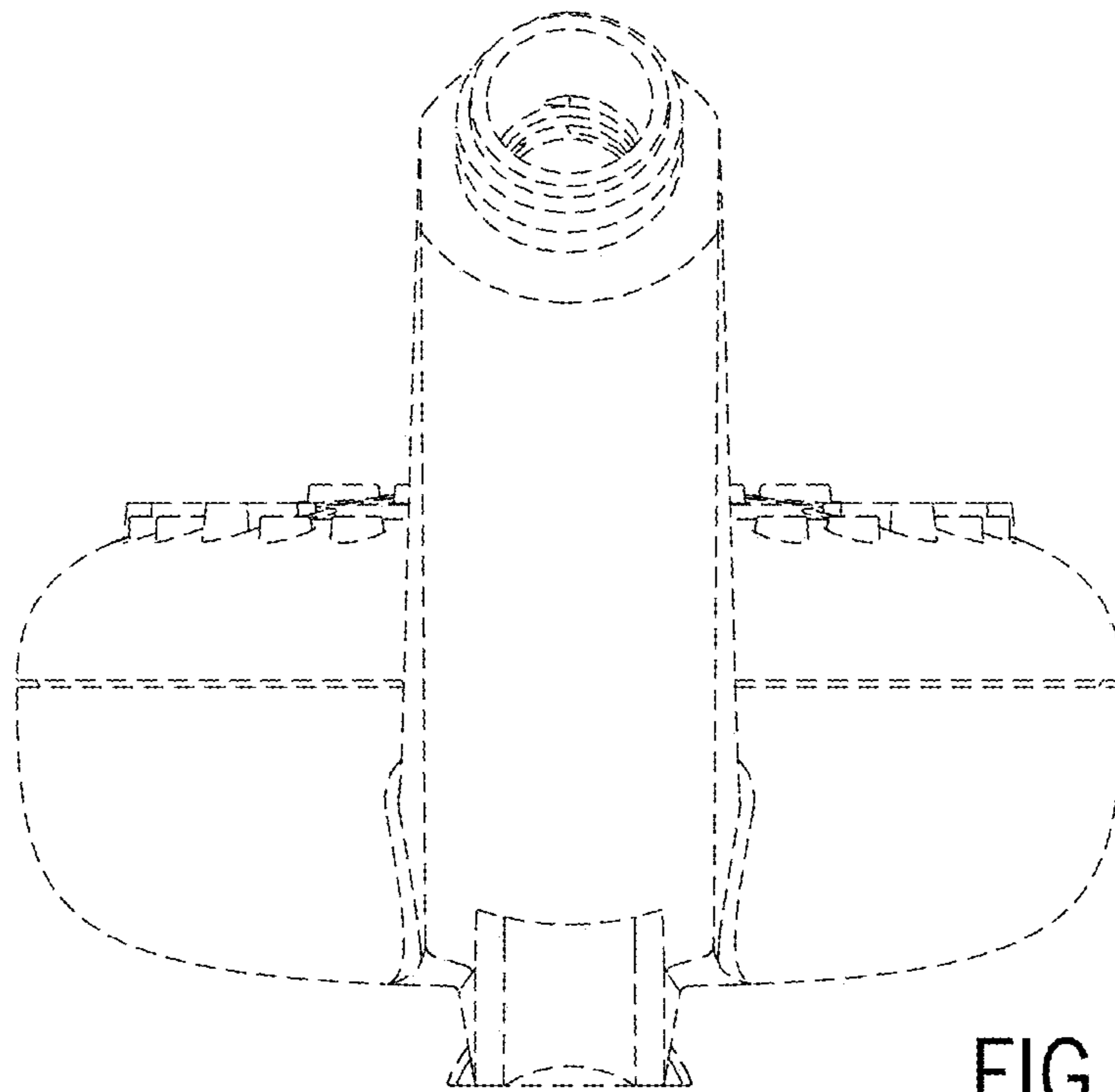


FIG. 18

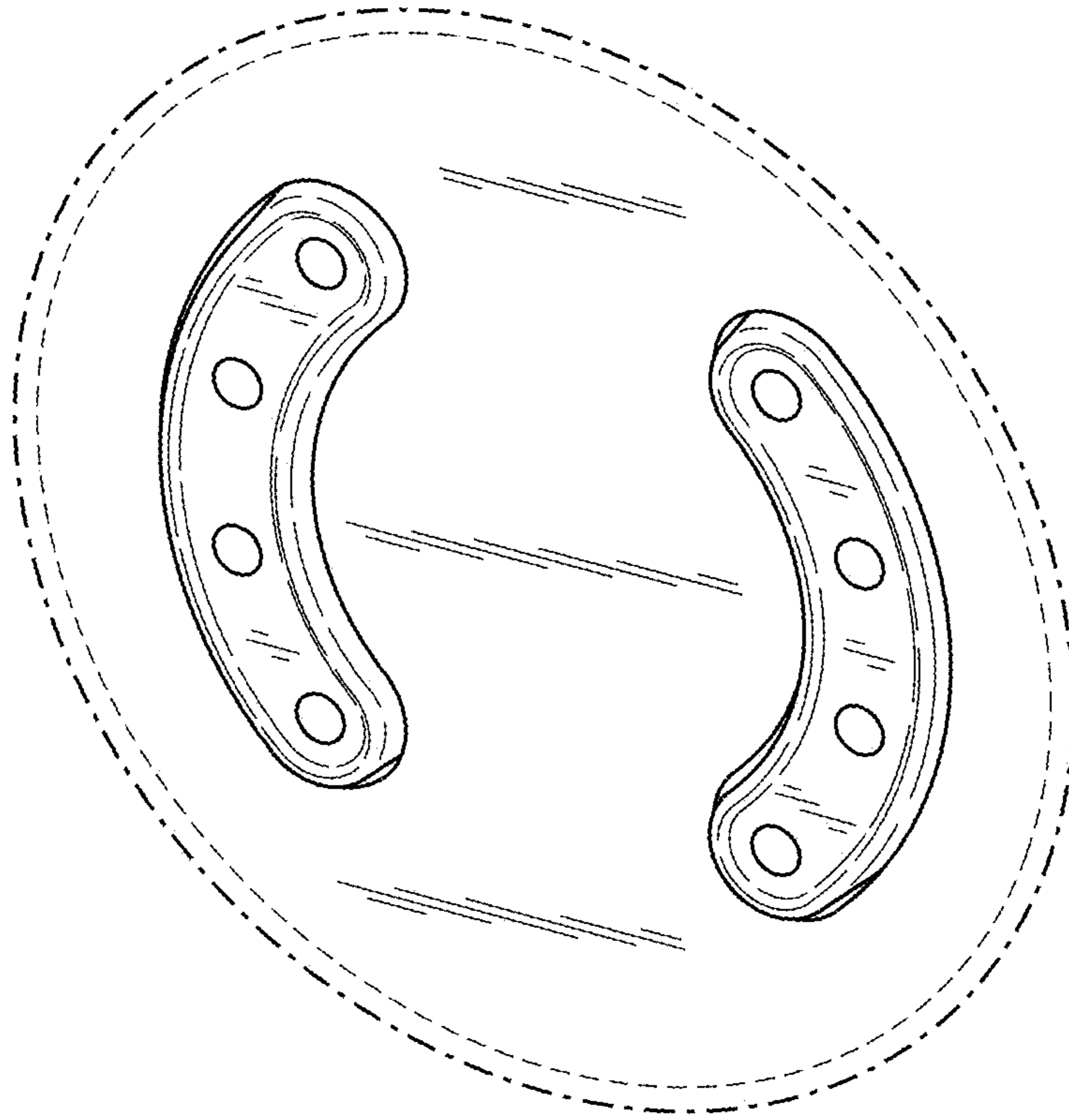


FIG. 19

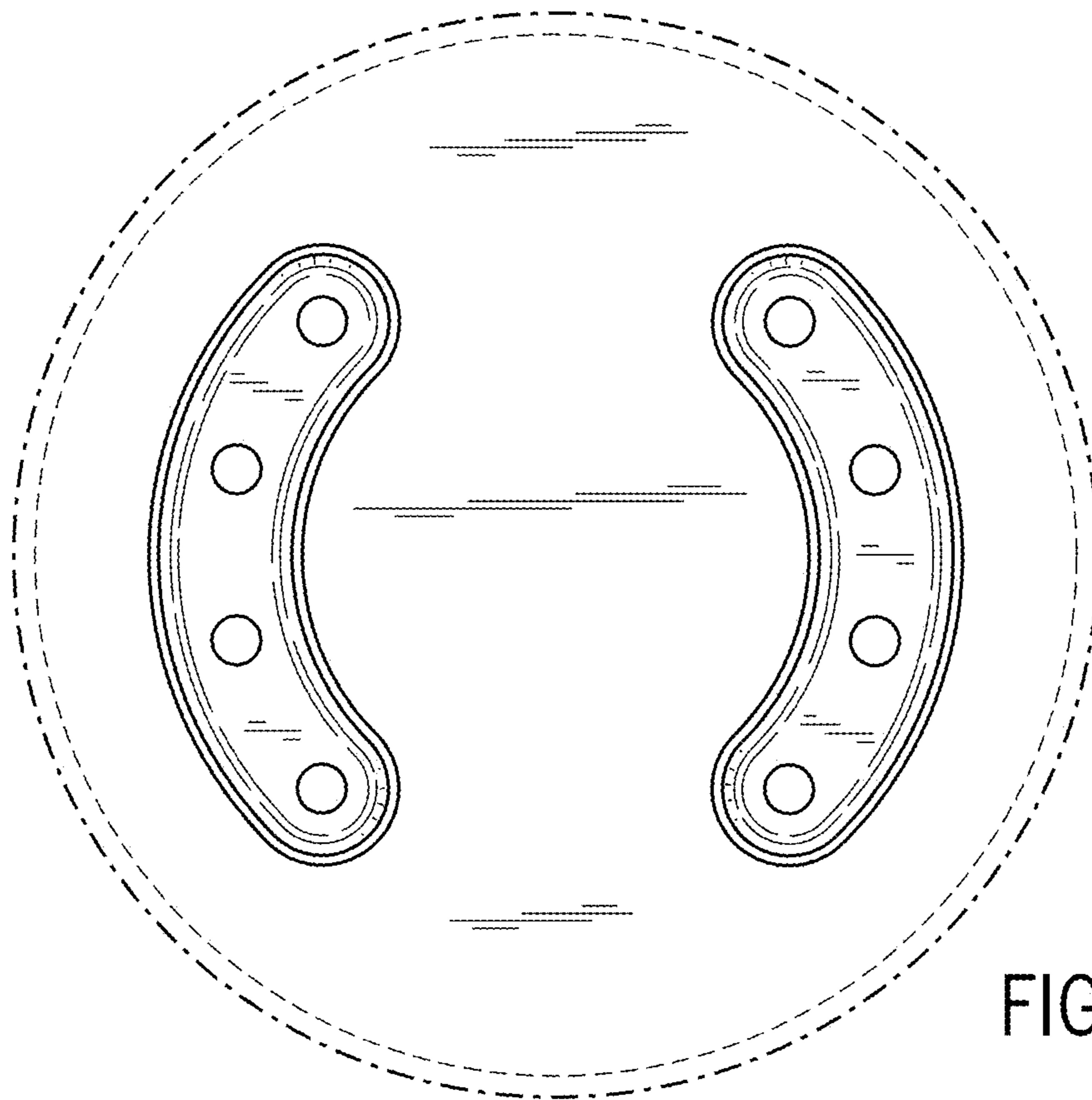


FIG. 20