



US00D928281S

(12) **United States Design Patent** (10) **Patent No.:** **US D928,281 S**
Park et al. (45) **Date of Patent:** **** Aug. 17, 2021**

(54) **RESONATOR OF FILTER**
(71) Applicant: **KMW INC.**, Hwaseong-si (KR)
(72) Inventors: **Nam Shin Park**, Hwaseong-si (KR);
Sung Ho Jang, Yongin-si (KR); **Joung Hoe Kim**, Hwaseong-si (KR); **Sung Bae Park**, Yongin-si (KR); **Chung Gil Jung**, Suwon-si (KR)

(73) Assignee: **KMW INC.**, Hwaseong-si (KR)
(**) Term: **15 Years**

(21) Appl. No.: **29/696,490**

(22) Filed: **Jun. 28, 2019**

(30) **Foreign Application Priority Data**

Jan. 2, 2019 (KR) 30-2019-0000078

(51) **LOC (13) Cl.** **23-01**

(52) **U.S. Cl.**
USPC **D23/209**

(58) **Field of Classification Search**
USPC D23/207-210; D27/170; D7/400;
D14/223; 439/217
CPC H04R 25/00; G10K 11/02; A47G 19/14;
A47J 31/06
See application file for complete search history.

(56) **References Cited**

U.S. PATENT DOCUMENTS

90,523 A * 5/1869 Goodfellow A47J 31/06
210/477
2,503,714 A * 4/1950 Eagle G02B 7/006
353/84
4,588,867 A * 5/1986 Konomi H04R 1/46
379/430
D620,075 S * 7/2010 Yamaguchi D23/209

D634,065 S * 3/2011 Borushek D27/170
D722,132 S * 2/2015 Foohey D23/209
D781,646 S * 3/2017 Roth D7/400
D817,933 S * 5/2018 Liu D14/223
10,219,064 B1 * 2/2019 Valenzuela H04R 1/105
D844,102 S * 3/2019 DeAngelo D23/209
D884,121 S * 5/2020 DeAngelo D23/209
D906,297 S * 12/2020 Akana D14/223
D907,010 S * 1/2021 Akana D14/223
2003/0226449 A1 * 12/2003 Carasso A47J 31/0615
99/279
2006/0180029 A1 * 8/2006 Bates A47J 31/06
99/323
2012/0092089 A1 * 4/2012 Zhu H01P 7/10
333/203

(Continued)

FOREIGN PATENT DOCUMENTS

CN 305851699 * 6/2019
KR 301024596.0000 * 1/2019

(Continued)

Primary Examiner — Barbara Fox
Assistant Examiner — Jamaal Rasheed

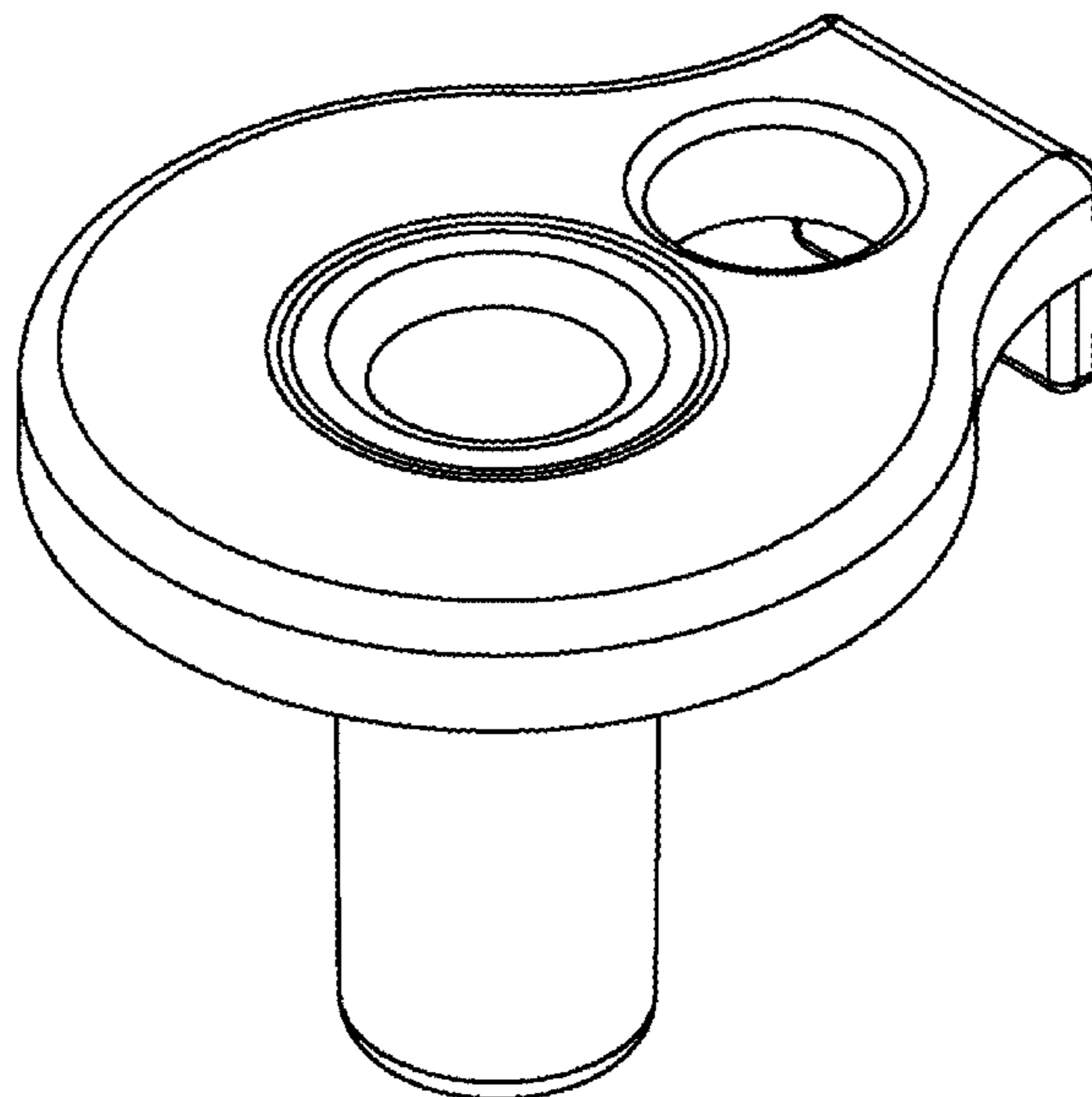
(57) **CLAIM**

We claim the ornamental design for a resonator of filter, as shown and described.

DESCRIPTION

FIG. 1 is a perspective view of a resonator of filter showing our new design;
FIG. 2 is a front view thereof;
FIG. 3 is a rear view thereof;
FIG. 4 is a left-side view thereof;
FIG. 5 is a right-side view thereof;
FIG. 6 is a top view thereof; and,
FIG. 7 is a bottom view thereof.
The broken lines shown in the drawings depict portions of the resonator of filter that form no part of the claimed design.

1 Claim, 7 Drawing Sheets



(56)

References Cited

U.S. PATENT DOCUMENTS

2016/0254607 A1* 9/2016 Lee H01P 1/207
439/271
2019/0191914 A1* 6/2019 Schillheim A47J 31/02

FOREIGN PATENT DOCUMENTS

KR 301083824.0000 * 4/2020
WO D027199-001 * 9/1993

* cited by examiner

FIG. 1

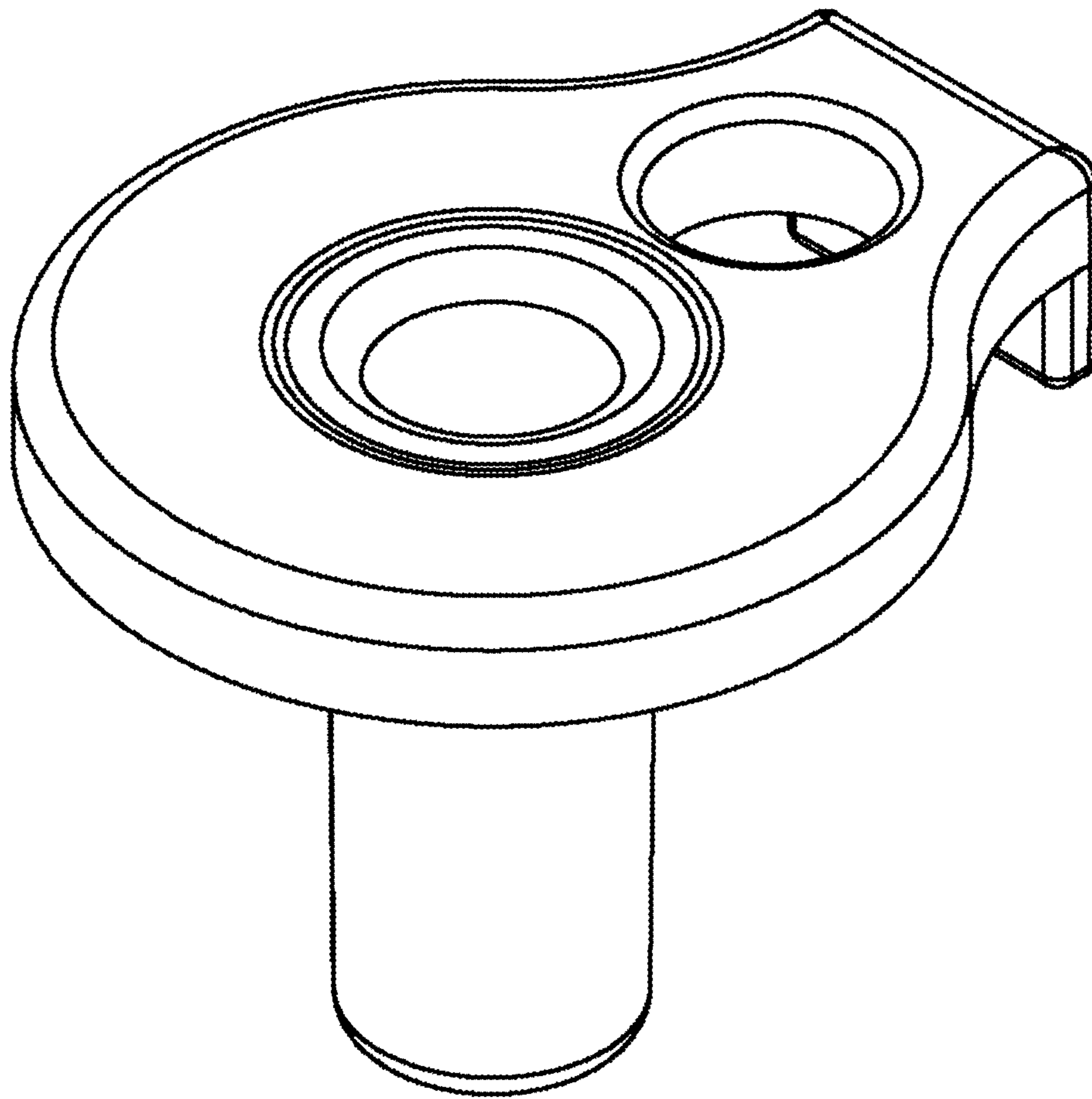


FIG. 2

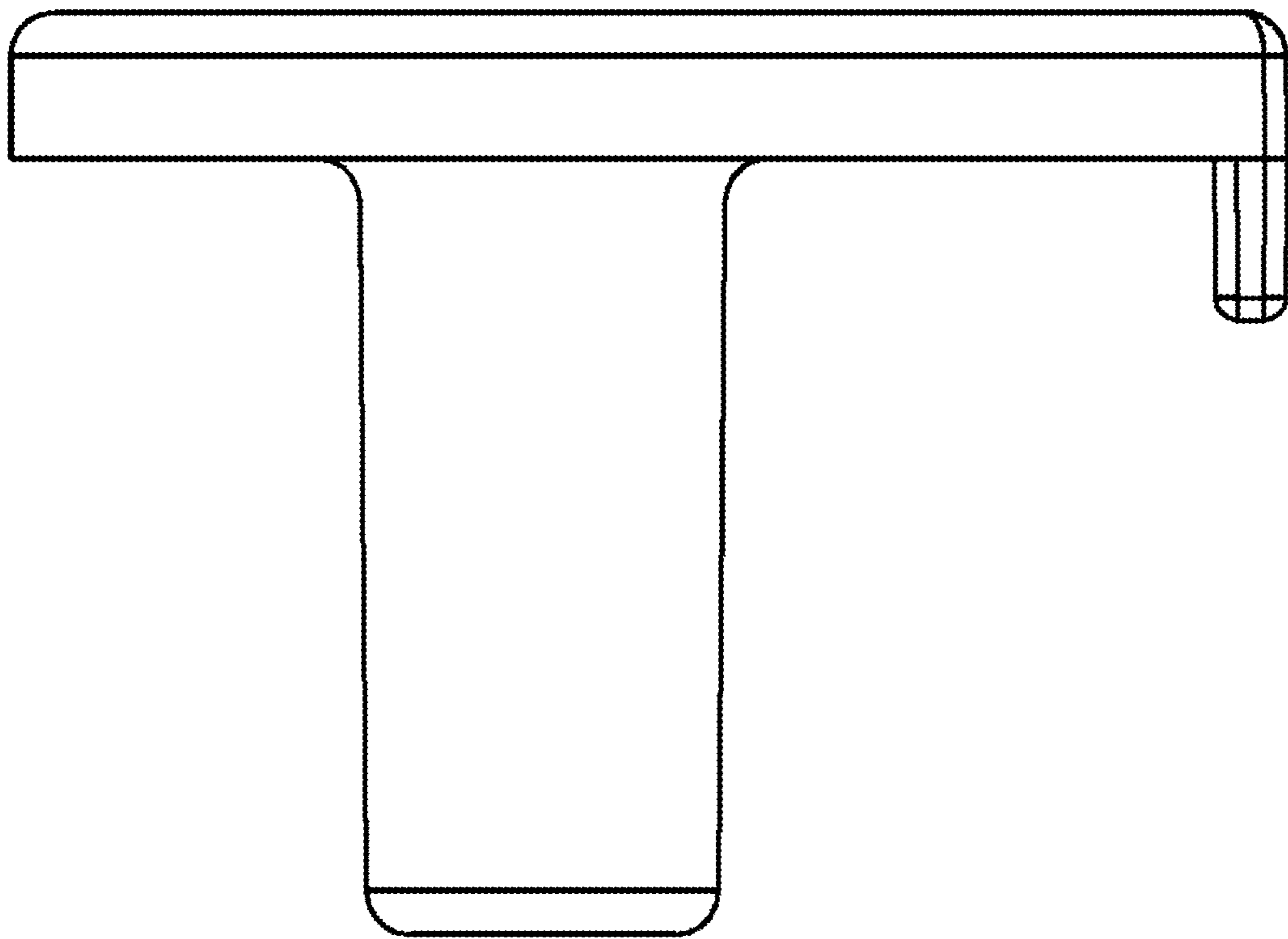


FIG. 3

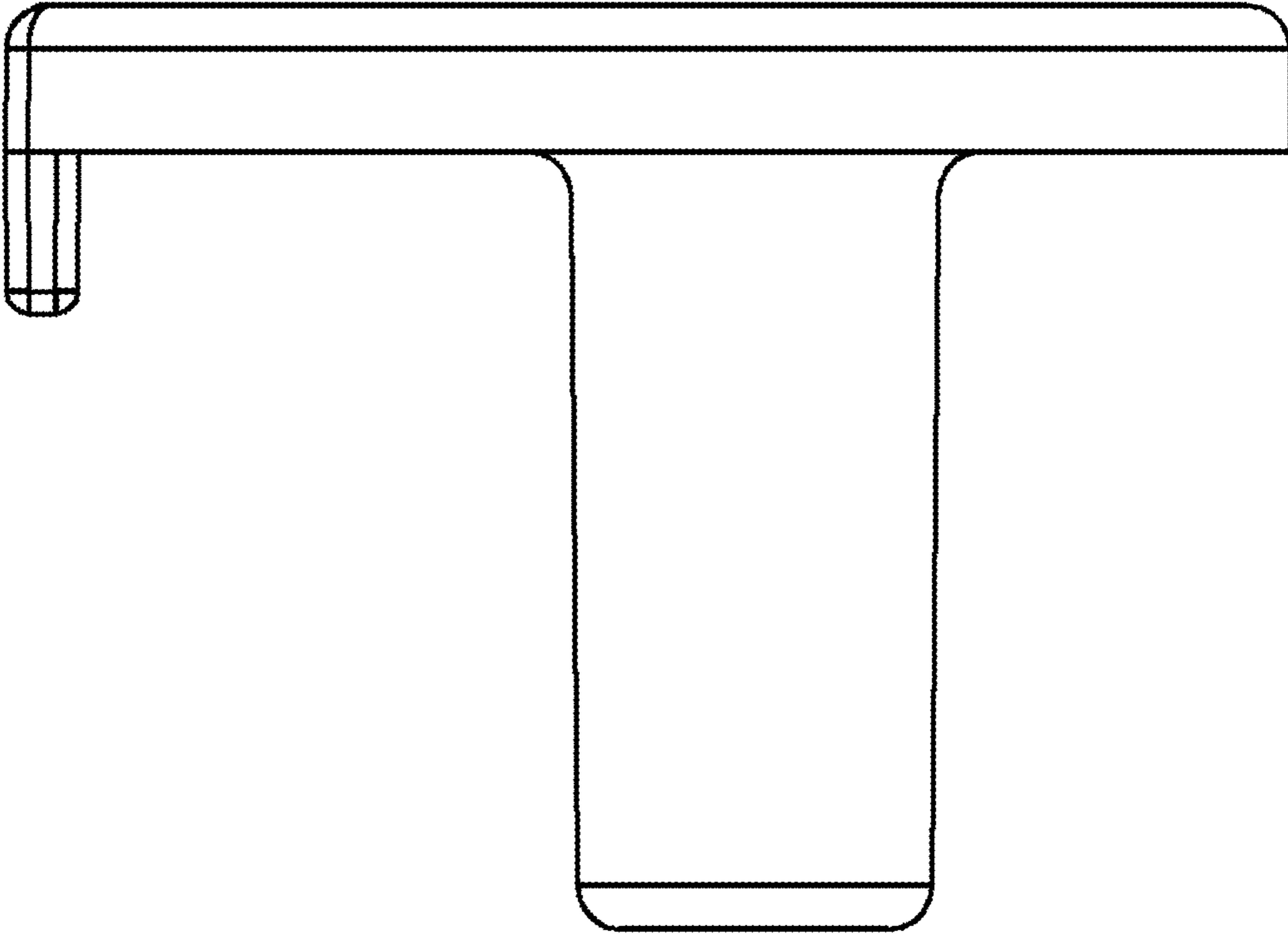


FIG. 4

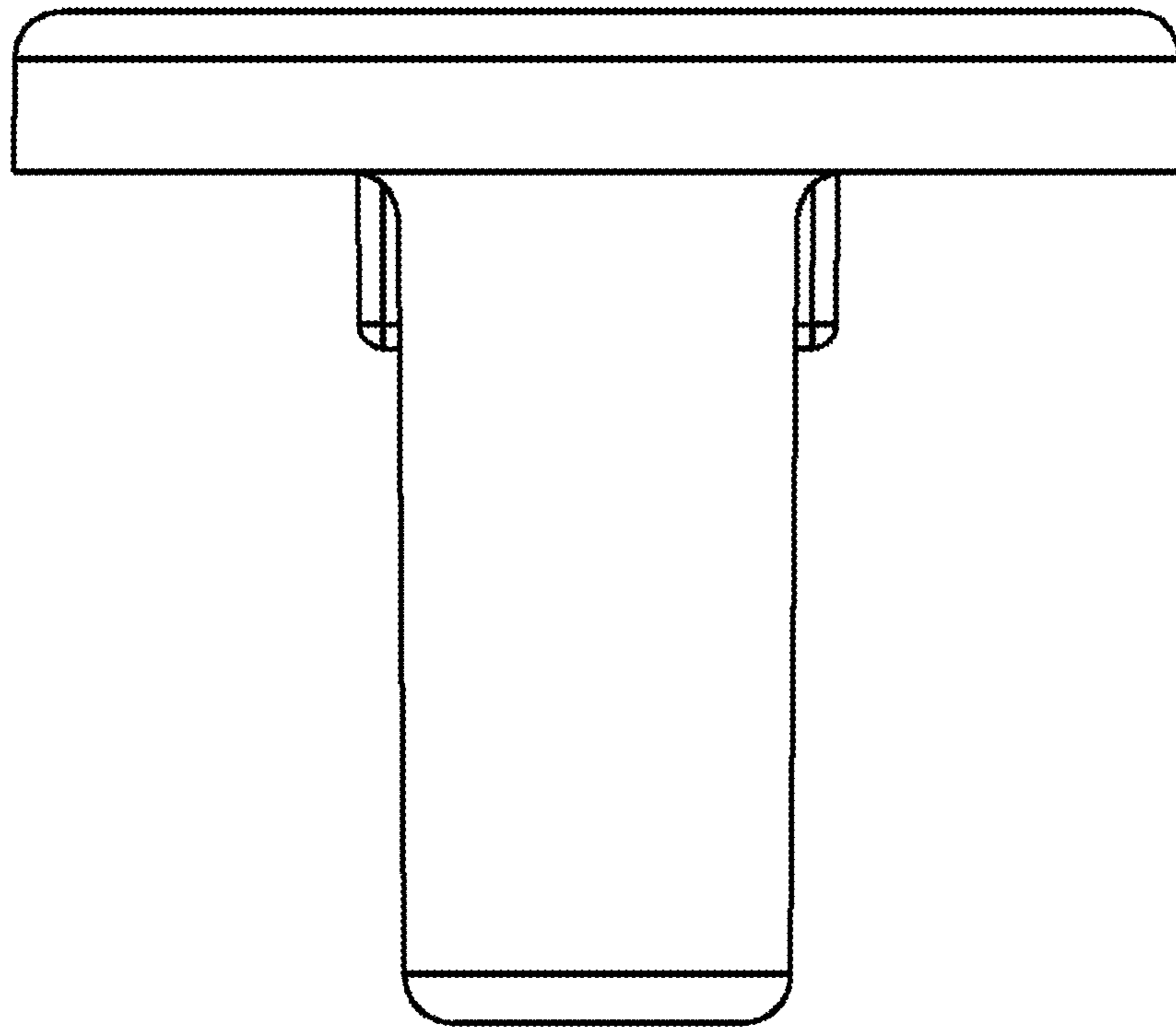


FIG. 5

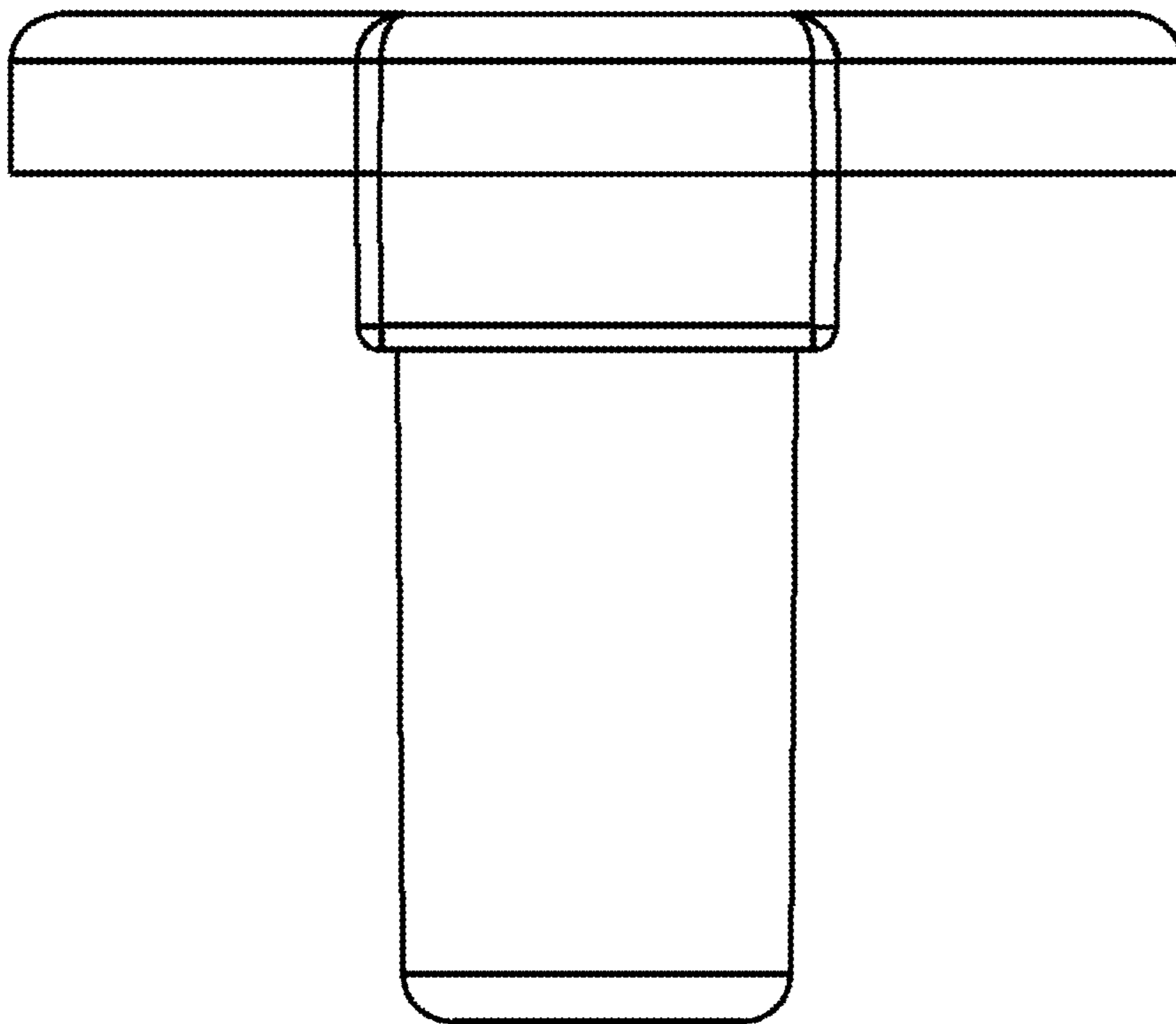


FIG. 6

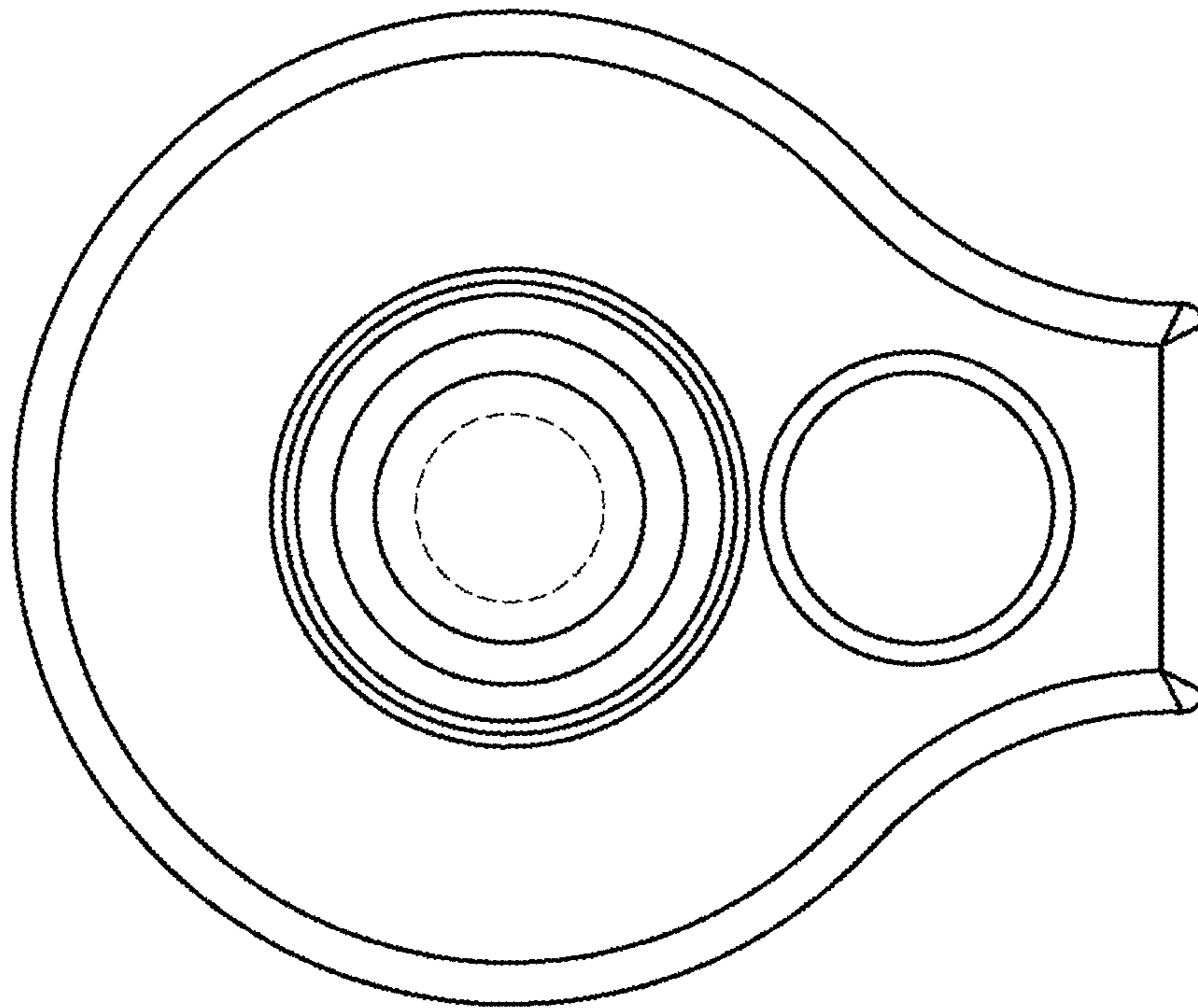


FIG. 7

