



US00D928280S

(12) **United States Design Patent** (10) **Patent No.:** **US D928,280 S**
Wei (45) **Date of Patent:** **** Aug. 17, 2021**

(54) **FILTER** 8,562,831 B2 * 10/2013 Bors C02F 1/003
210/235
(71) Applicant: **TIANJIN TIANCHUANG BEST** D753,788 S * 4/2016 Huda D23/209
PURE ENVIRONMENTAL D764,021 S * 8/2016 Lu D23/209
SCIENCE AND TECHNOLOGY D773,607 S * 12/2016 Lu D23/209
CO., LTD., Tianjing (CN) D776,237 S * 1/2017 Dong D23/207
D780,887 S * 3/2017 Huda D23/209
D788,880 S * 6/2017 Zou D23/209
(72) Inventor: **Enyu Wei, Shenzhen (CN)** D792,943 S * 7/2017 Zou D23/209
(73) Assignee: **Tianjin Tianchuang Best Pure**
Environmental Science and
Technology Co. LTD, Tianjing (CN)
(**) Term: **15 Years**
(21) Appl. No.: **29/651,111**
(22) Filed: **Mar. 14, 2019**
(30) **Foreign Application Priority Data**
Dec. 29, 2018 (CN) 201830771884.X
(51) **LOC (13) Cl.** **23-01**
(52) **U.S. Cl.**
USPC **D23/209**
(58) **Field of Classification Search**
USPC D23/200, 207, 209, 233, 259
CPC B01D 23/00; B01D 61/00; B01D 35/027;
B01D 29/085
See application file for complete search history.

(56) **References Cited**
U.S. PATENT DOCUMENTS
H1072 H * 7/1992 Estes 55/472
6,120,685 A * 9/2000 Carlson B01D 35/143
210/232
6,458,269 B1 * 10/2002 Bassett B01D 35/153
210/119
D547,822 S * 7/2007 Kennedy D23/207
D594,088 S * 6/2009 Pritchard D23/207
D679,366 S * 4/2013 Fuller D23/247
D689,979 S * 9/2013 Pritchard D23/202

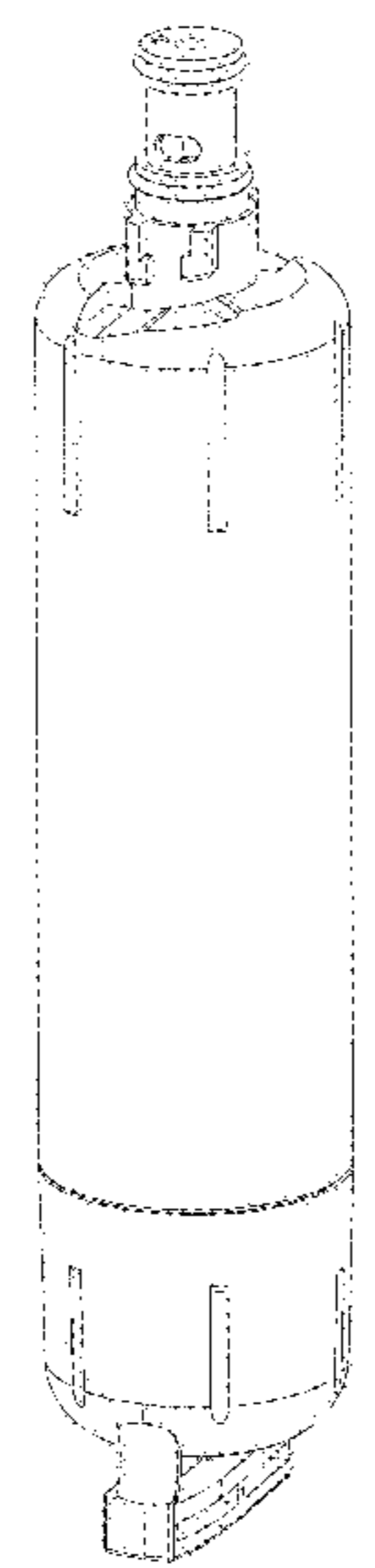
OTHER PUBLICATIONS
“ICEPURE 4396508 Replacement for Whirlpool 4396510, EDR5RXD1, NLC240V, PNL240V, 4396508p, 4396547, 4392857,4396510p, 9010, LC400V, WF-NLC240V,46-9010, Everydrop Filter 5 Refrigerator Water Filter”, Aug. 27, 2015, Amazon.com, site visited Oct. 14, 2020: <https://www.amazon.com/dp/B014ITW6FK/> (Year: 2015).*
(Continued)

Primary Examiner — Jack Reickel
Assistant Examiner — Bobby W Jones, II
(74) *Attorney, Agent, or Firm* — Yanling Jiang

(57) **CLAIM**
The ornamental design for a filter, as shown and described.

DESCRIPTION
FIG. 1 is a top right perspective view showing a filter, showing my new design;
FIG. 2 is a front elevation view thereof;
FIG. 3 is a rear elevation view thereof;
FIG. 4 is a top plan view thereof;
FIG. 5 is a bottom plan view thereof;
FIG. 6 is a side view thereof; and,
FIG. 7 is an opposite side view thereof.
The broken line showing of a filter is included for the purpose of illustrating portions of the article and forms no part of the claimed design.

1 Claim, 7 Drawing Sheets



(56)

References Cited

U.S. PATENT DOCUMENTS

D795,993 S * 8/2017 Zou D23/207
D795,995 S * 8/2017 Zou D23/209
D798,997 S * 10/2017 Zou D23/209
10,099,162 B2 * 10/2018 Prince C02F 1/003
2013/0067718 A1 * 3/2013 Kruckenberg B01D 35/30
29/464
2013/0068684 A1 * 3/2013 Kruckenberg B01D 35/306
210/232
2015/0290569 A1 * 10/2015 Chernov B01D 35/30
210/85
2017/0072347 A1 * 3/2017 Schmoll B01D 35/306

OTHER PUBLICATIONS

“EXCELPURE 4396701 Replacement for Kenmore 9915, Whirlpool EDR6D1, Every Drop FILTER 6, 46-9915, 4396702, RWF2000A, SGF-W10, LC200V, WF293, EFF-6001A, 2301706, RWF1021, Refrigerator Water Filter”, Oct. 14, 2017, Amazon.com, site visited Oct. 14, 2020: <https://www.amazon.com/dp/B076FRHD21/> (Year: 2017).*

“Sub-Zero Refrigerator Replacement Water and Air Filter Combo Pack 4204490 7007067”, Oct. 30, 2014, Amazon.com, site visited Oct. 14, 2020: <https://www.amazon.com/dp/B00L9G9O38/> (Year: 2014).*

“Tier1 Replacement for EDR5RXD1, Refrigerator Water Filter” Aug. 2, 2016, Amazon, Site visited Jan. 8, 2021: <https://www.amazon.ca/dp/B00UOX5EMC/> (Year: 2016).*

“AQUACREST 4396508 Refrigerator Water Filter” Nov. 4, 2018, Amazon, Site visited Jan. 8, 2021: <https://www.amazon.ca/dp/B07K6D7YV3/> (Year: 2018).*

* cited by examiner

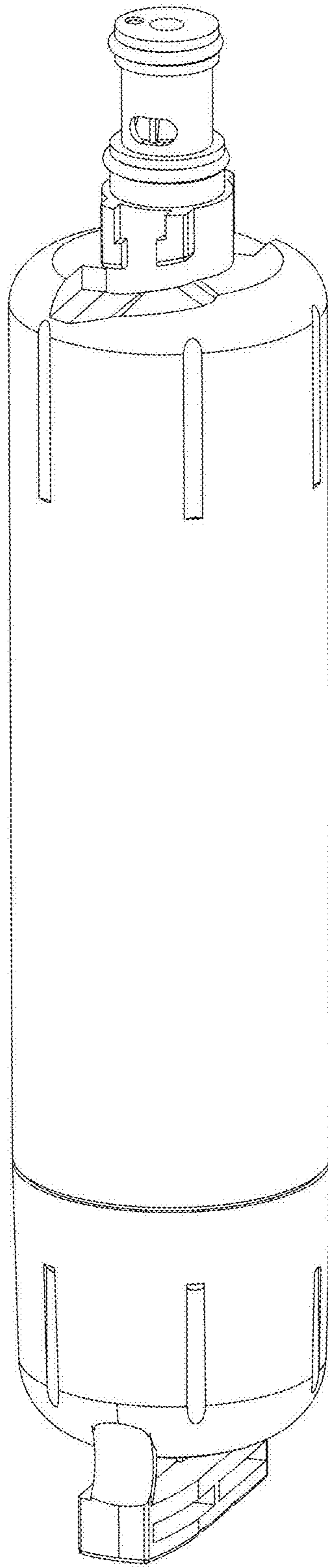


Fig. 1

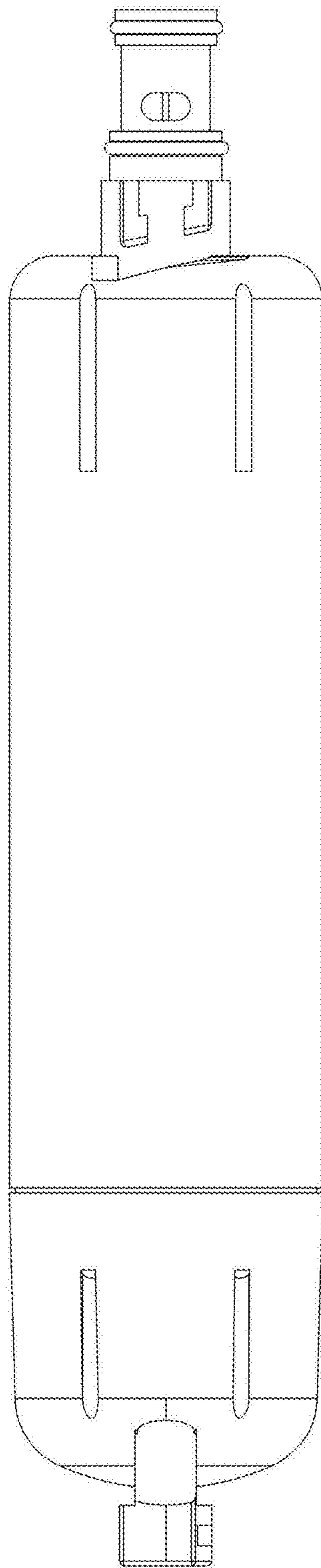


Fig.2

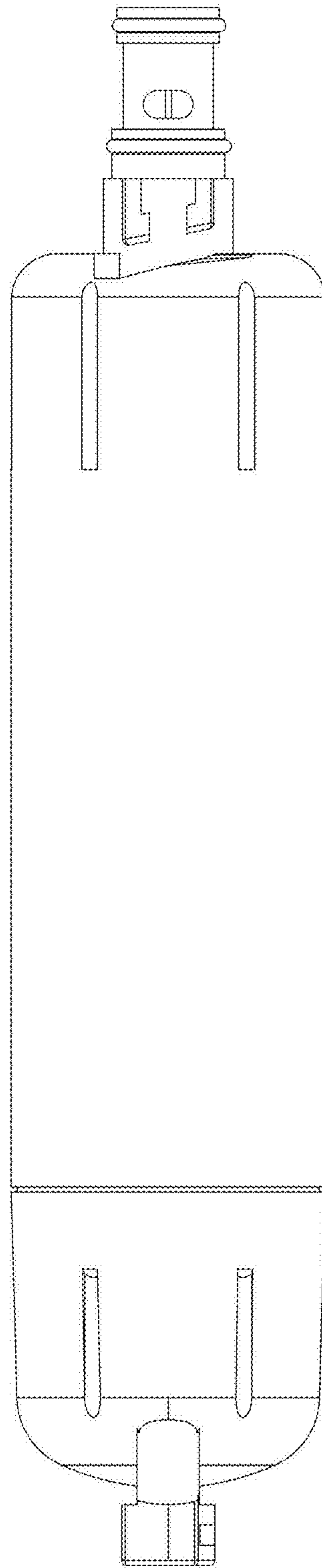


Fig.3

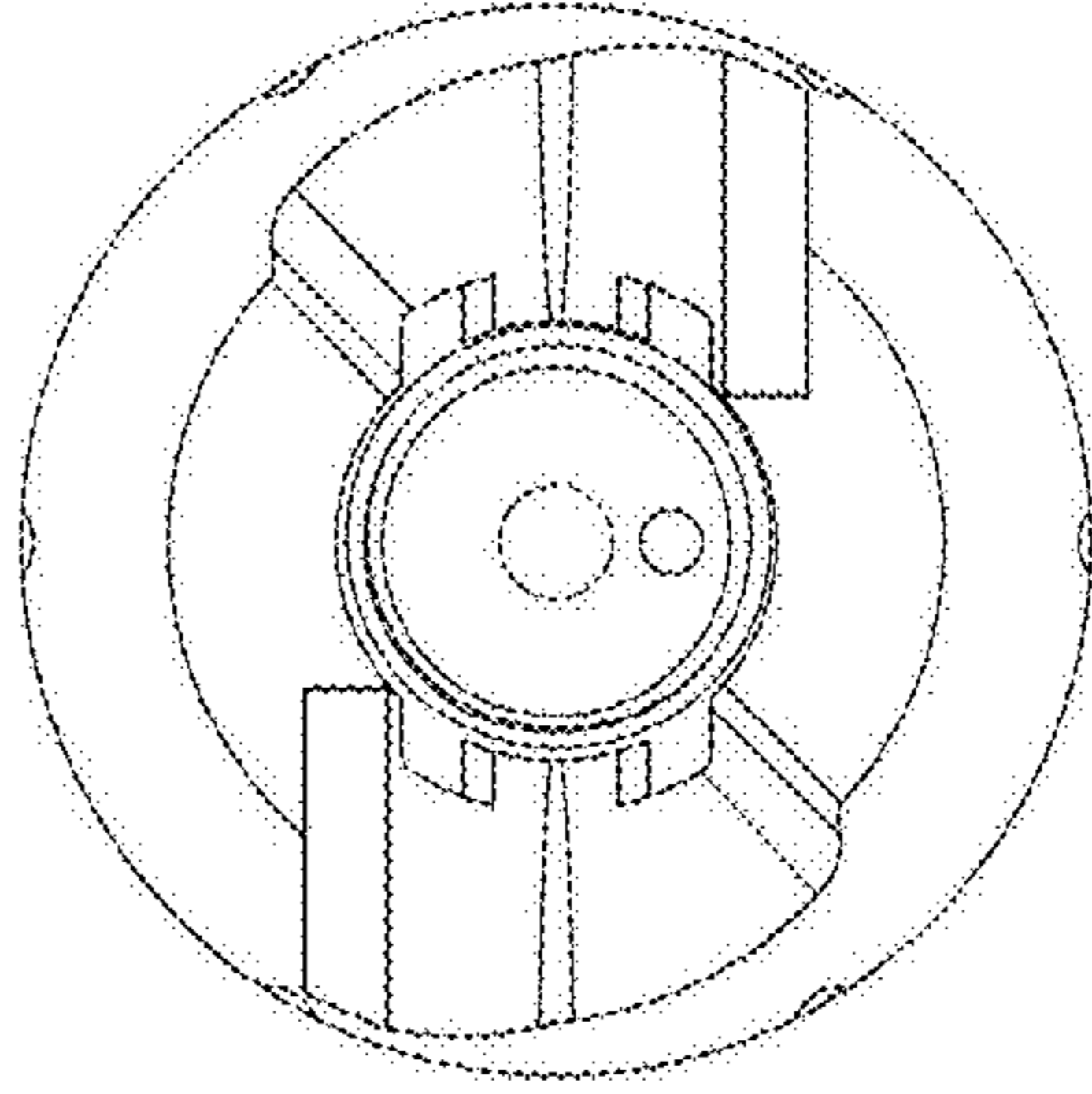


Fig.4

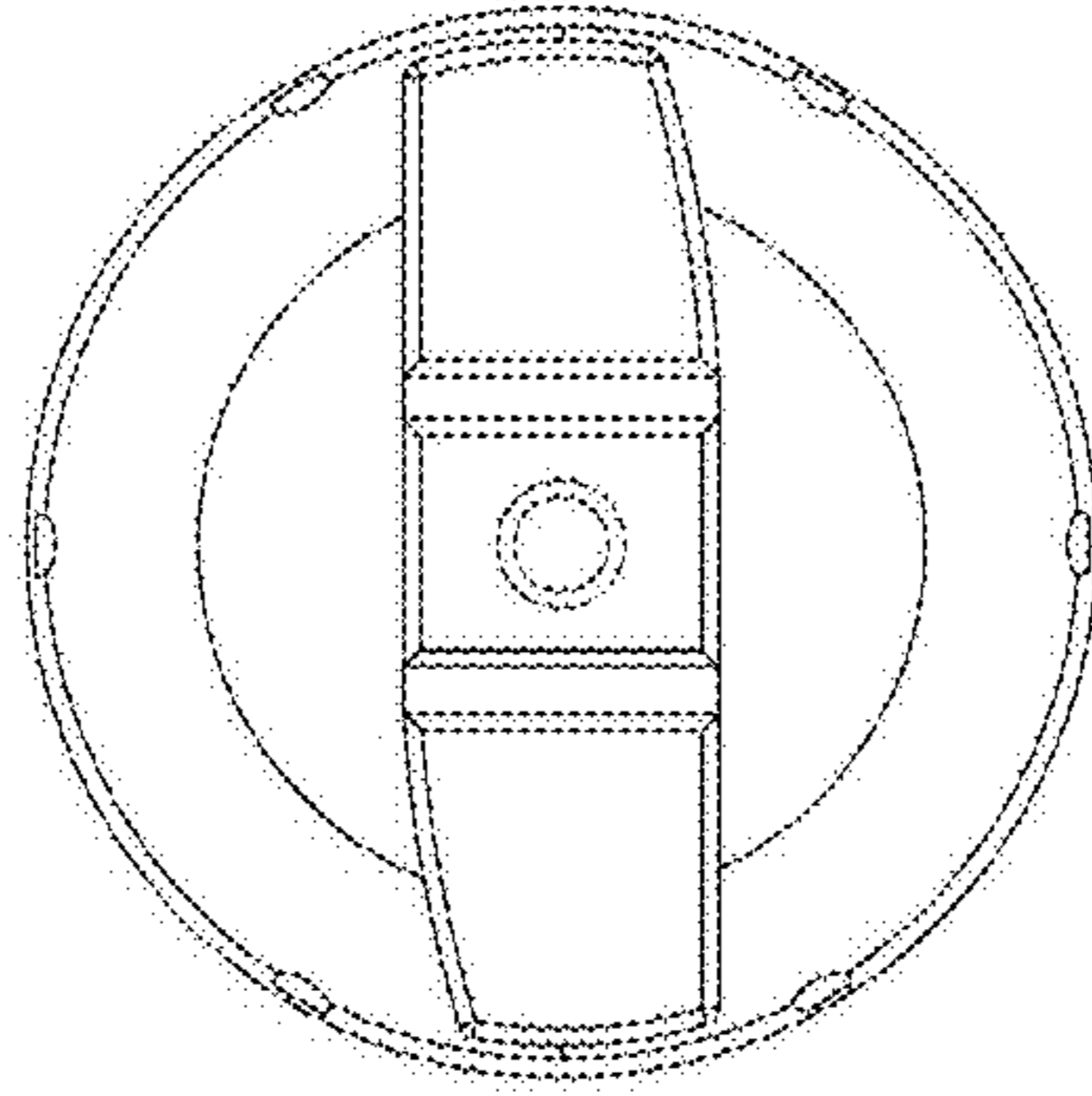


Fig.5

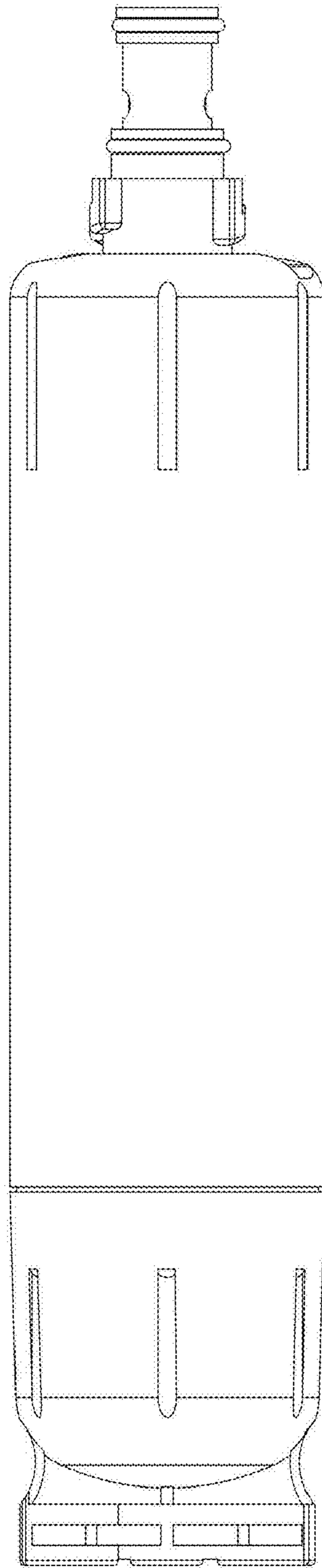


Fig. 6

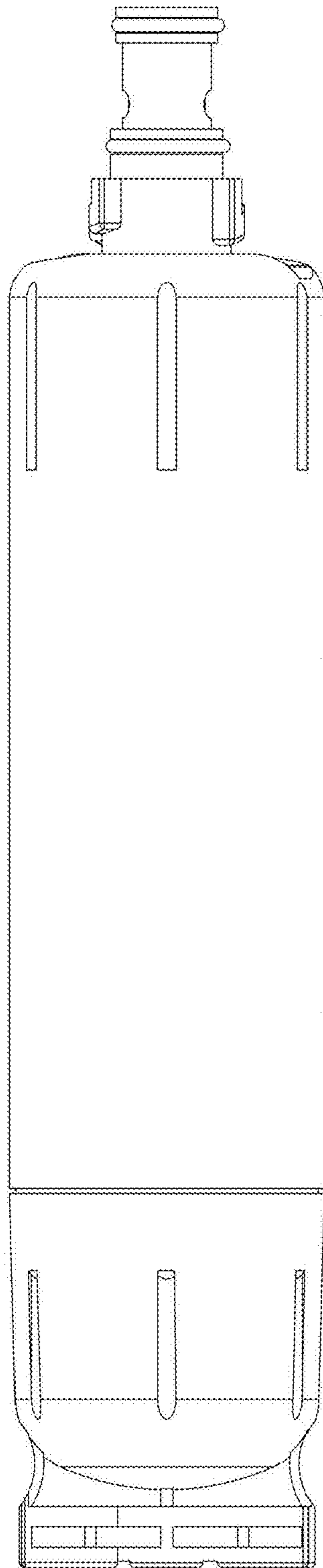


Fig. 7