



US00D928278S

(12) **United States Design Patent**
Li

(10) **Patent No.:** **US D928,278 S**

(45) **Date of Patent:** **** Aug. 17, 2021**

(54) **WATER PURIFIER WITH CARTRIDGE**

(71) Applicant: **Zhisheng Li**, Shenzhen (CN)

(72) Inventor: **Zhisheng Li**, Shenzhen (CN)

(**) Term: **15 Years**

(21) Appl. No.: **29/766,400**

(22) Filed: **Jan. 15, 2021**

(51) **LOC (13) Cl.** **23-01**

(52) **U.S. Cl.**
USPC **D23/207**

(58) **Field of Classification Search**
USPC D23/207, 209, 364, 365
CPC B01D 2258/06; B01D 2257/708; B01D
2255/2073; C02F 1/42
See application file for complete search history.

(56) **References Cited**

U.S. PATENT DOCUMENTS

D424,660 S *	5/2000	Teran	D23/207
D454,173 S *	3/2002	Almasian	D23/209
D483,092 S *	12/2003	Hamada	D23/207
D570,951 S *	6/2008	Morita	D23/209
D635,233 S *	3/2011	Nelson	D23/365
D750,736 S *	3/2016	Enomoto	D23/207
D751,169 S *	3/2016	Takeda	D23/207
D769,408 S *	10/2016	Kumaran	D23/207

D779,629 S *	2/2017	Kemper	D23/207
D802,083 S *	11/2017	Lee	D23/207
D822,791 S *	7/2018	Kawai	D23/207
D826,374 S	8/2018	Berducat et al.	
D830,501 S *	10/2018	Yoon	D23/207
D861,128 S	9/2019	McNiven	
D910,143 S *	2/2021	Cho	D23/207

* cited by examiner

Primary Examiner — Karen S Acker
Assistant Examiner — Jonathan E Fiencke

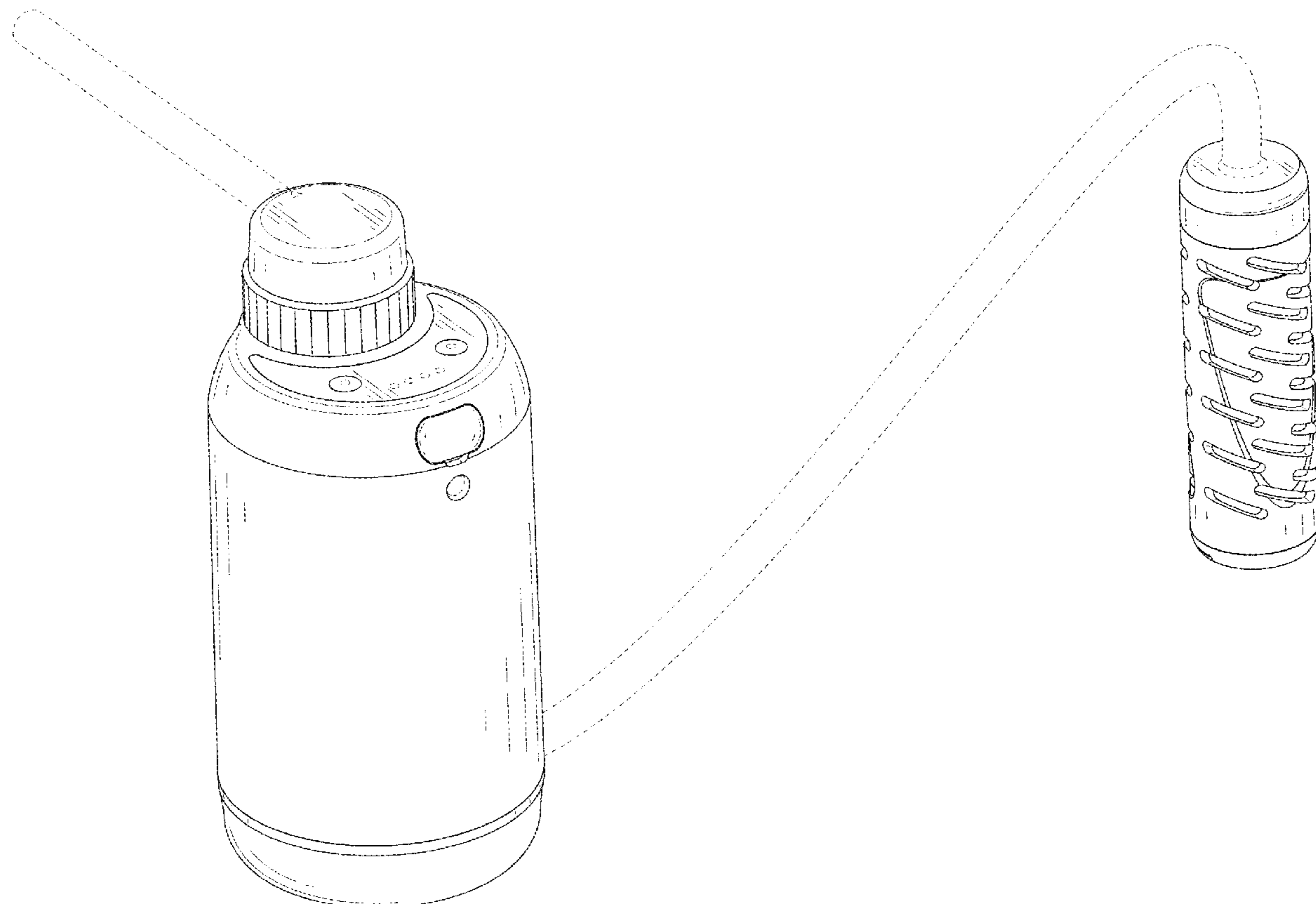
(57) **CLAIM**

The ornamental design for a water purifier with cartridge, as shown and described.

DESCRIPTION

FIG. 1 is a perspective view a water purifier with cartridge showing my new design; FIG. 2 is another perspective view thereof; FIG. 3 is a front elevational view thereof; FIG. 4 is a rear elevational view thereof; FIG. 5 is a left side elevational view thereof; FIG. 6 is a right side elevational view thereof; FIG. 7 is a top plan view thereof; and, FIG. 8 is a bottom plan view thereof. The broken lines in the drawings depict portions of the water purifier with cartridge that form no part of the claimed design.

1 Claim, 8 Drawing Sheets



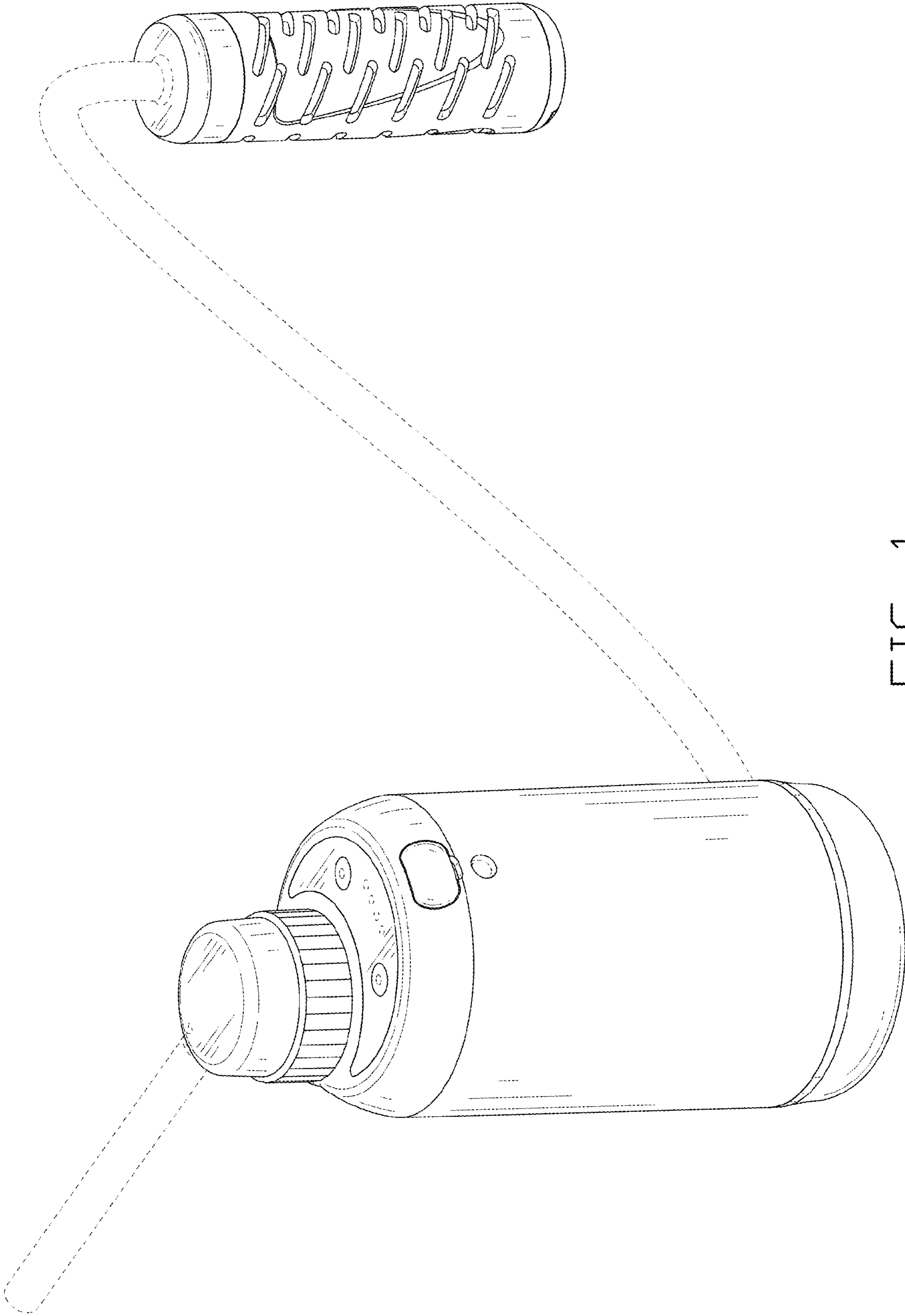


FIG. 1

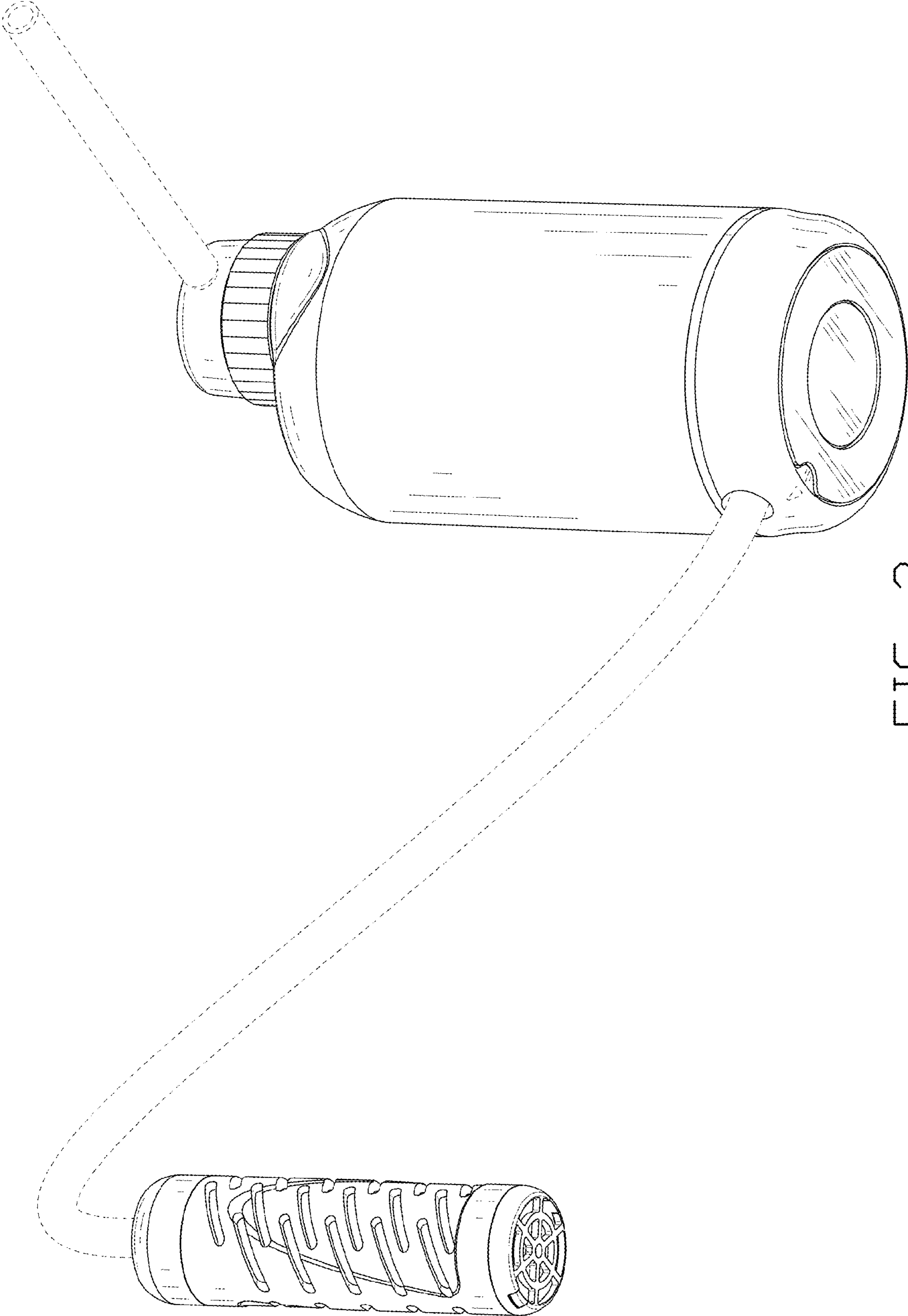


FIG. 2

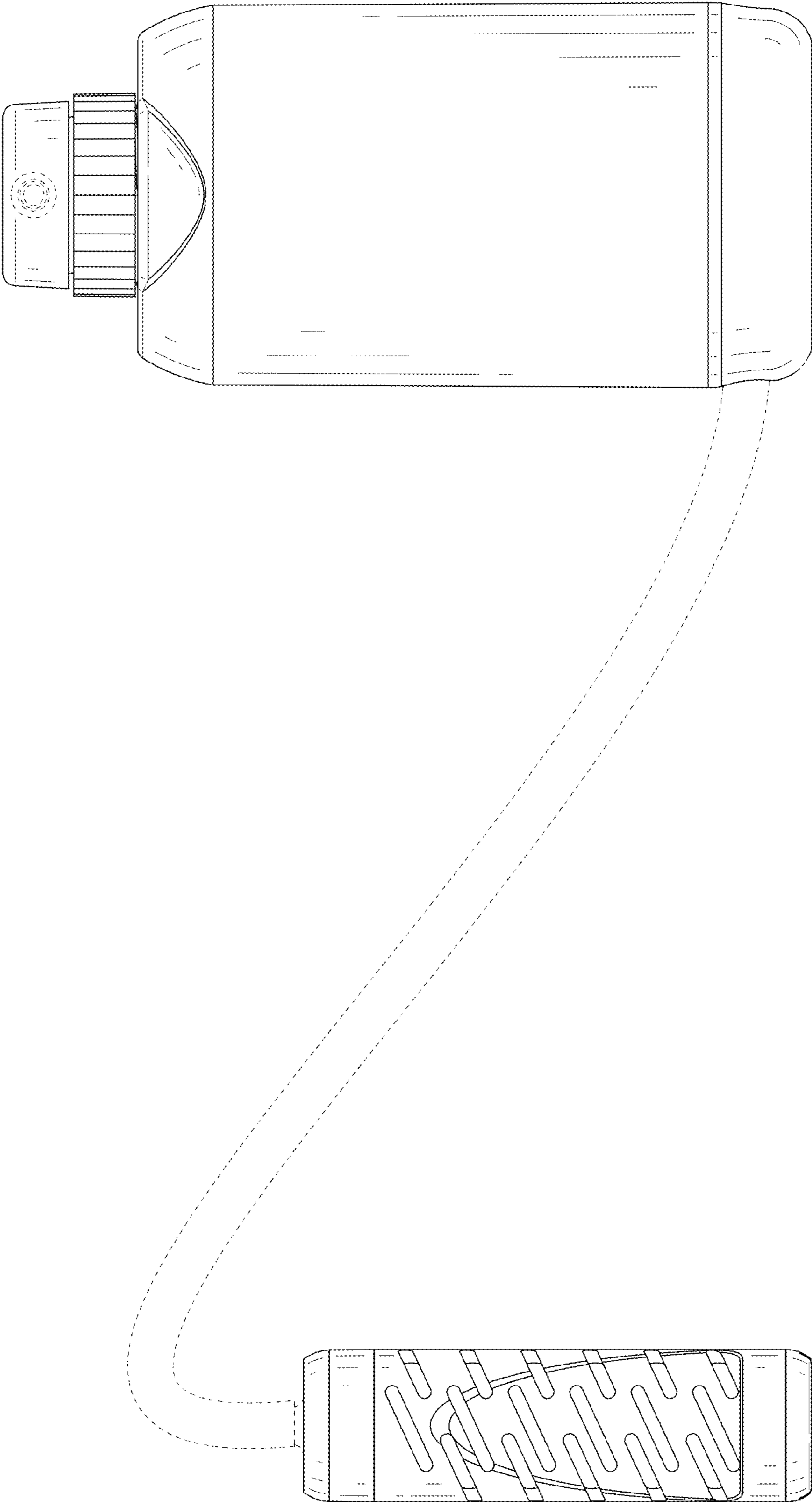


FIG. 3

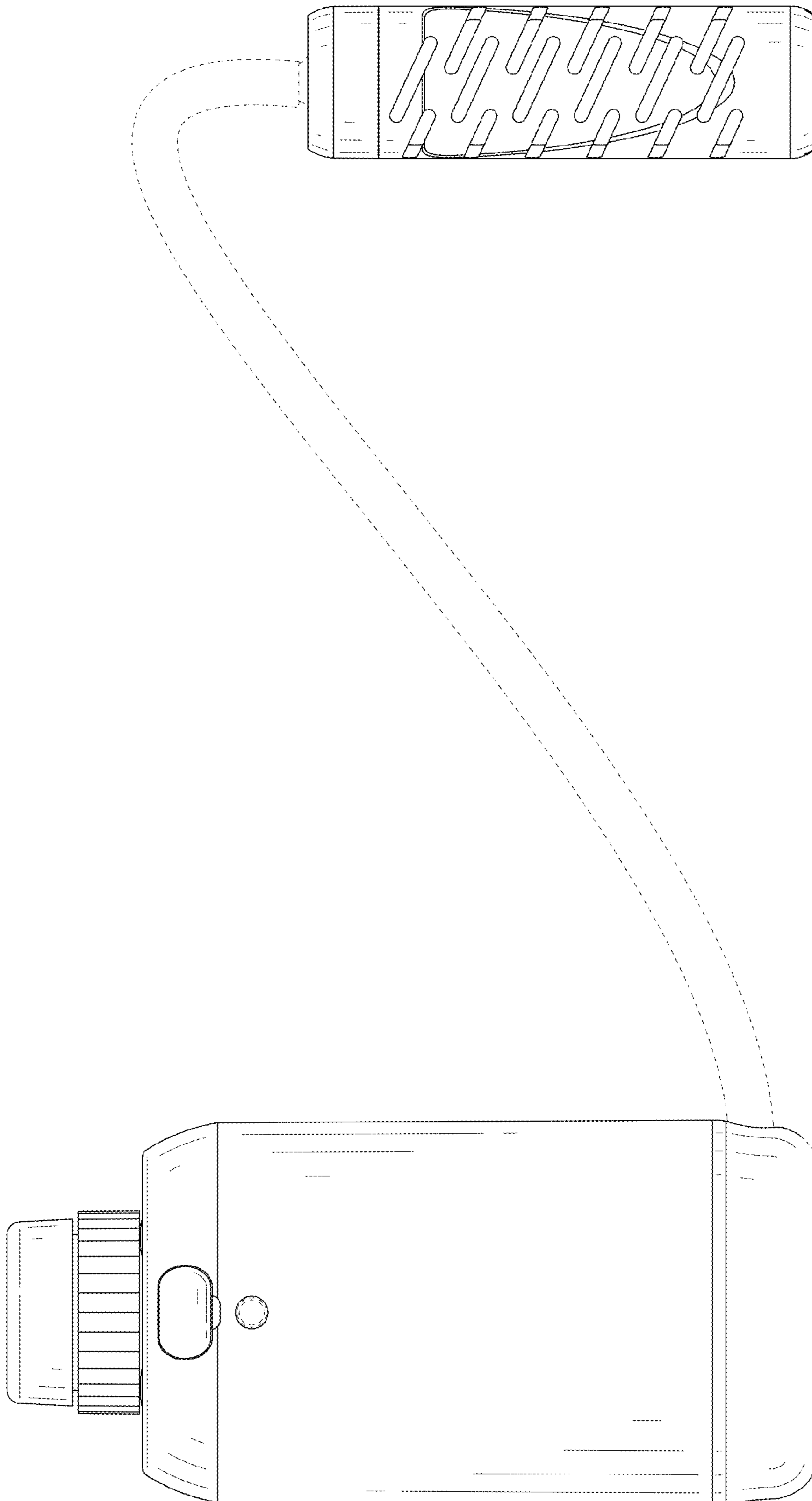


FIG. 4

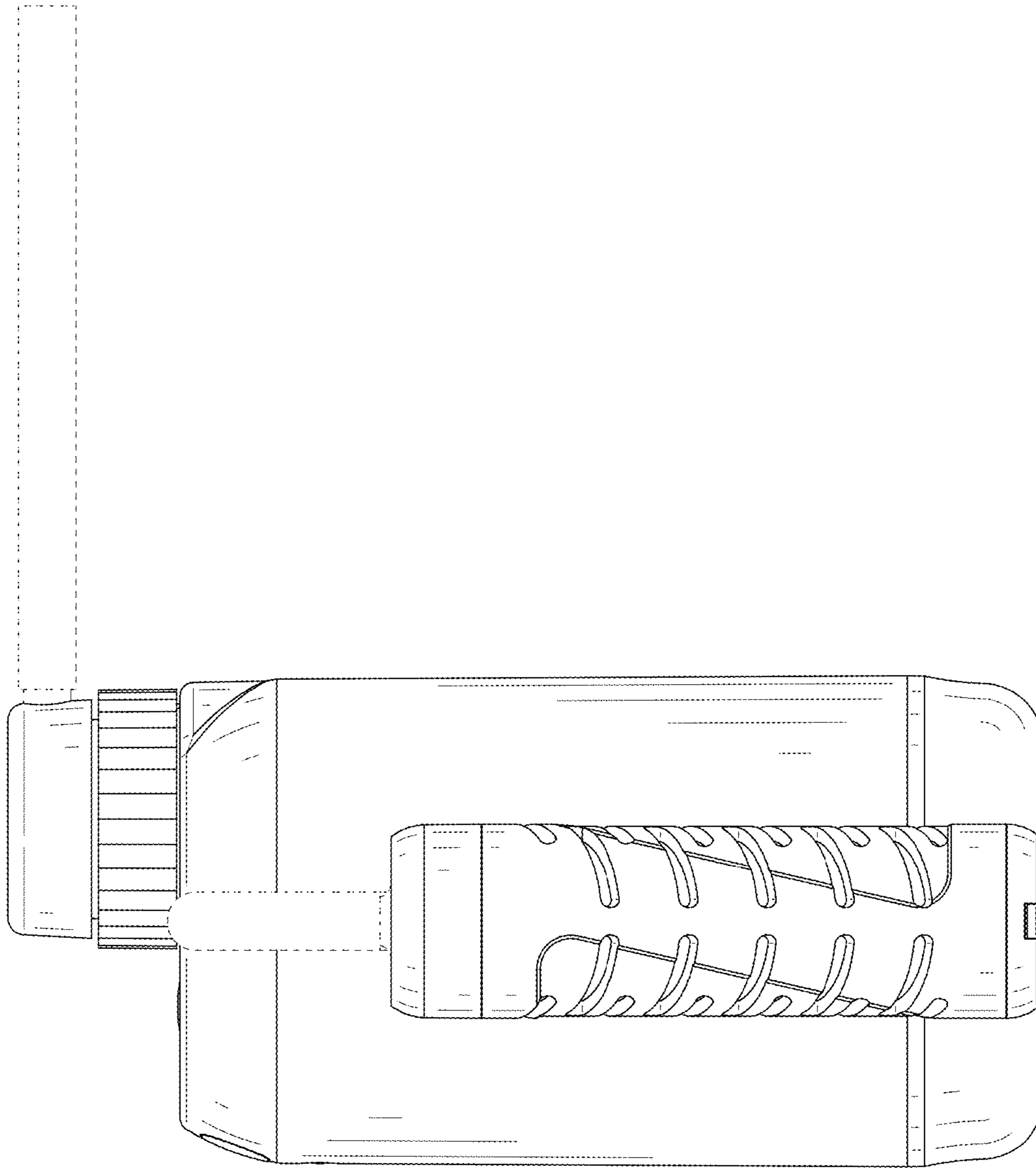


FIG. 5

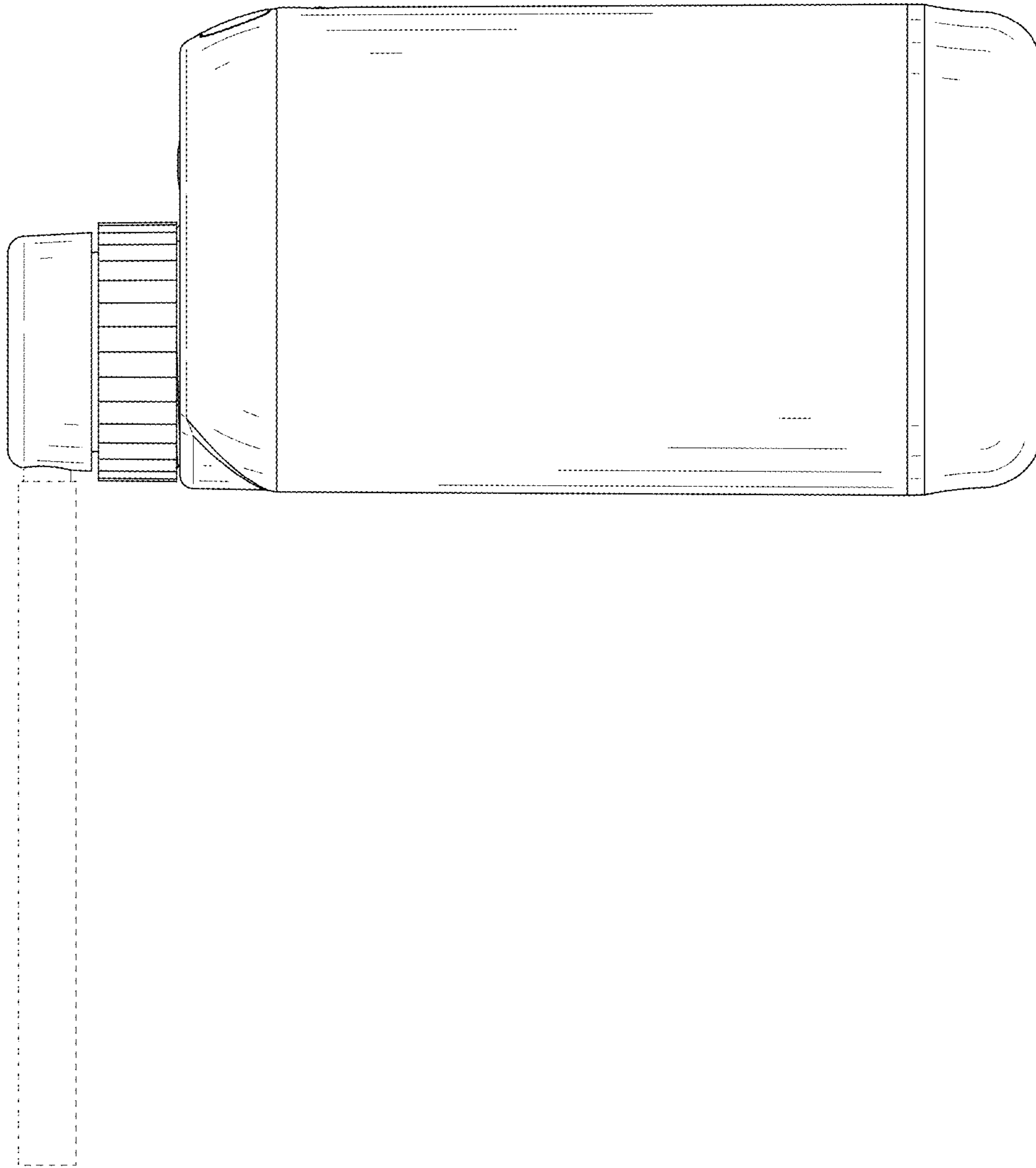


FIG. 6

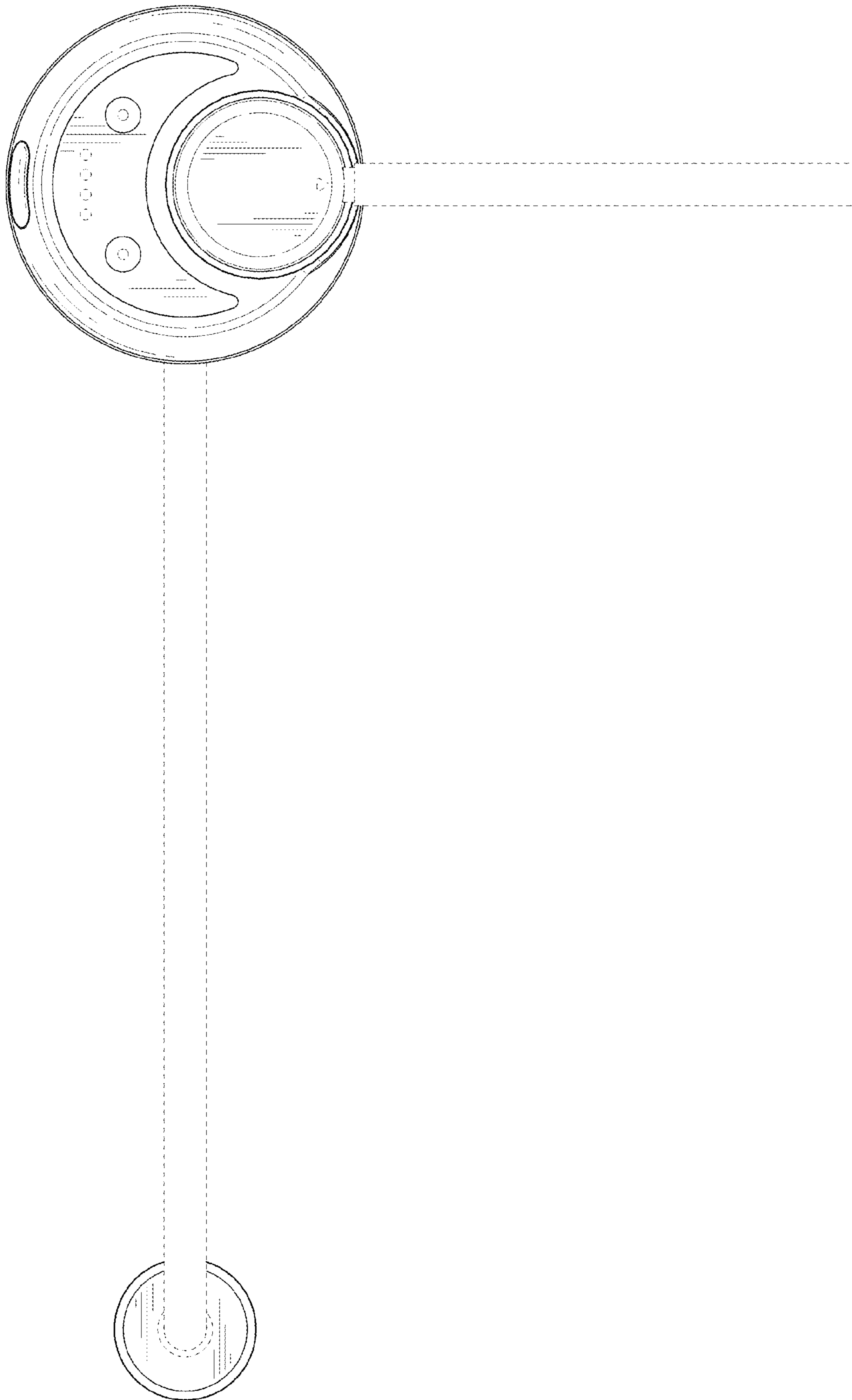


FIG. 7

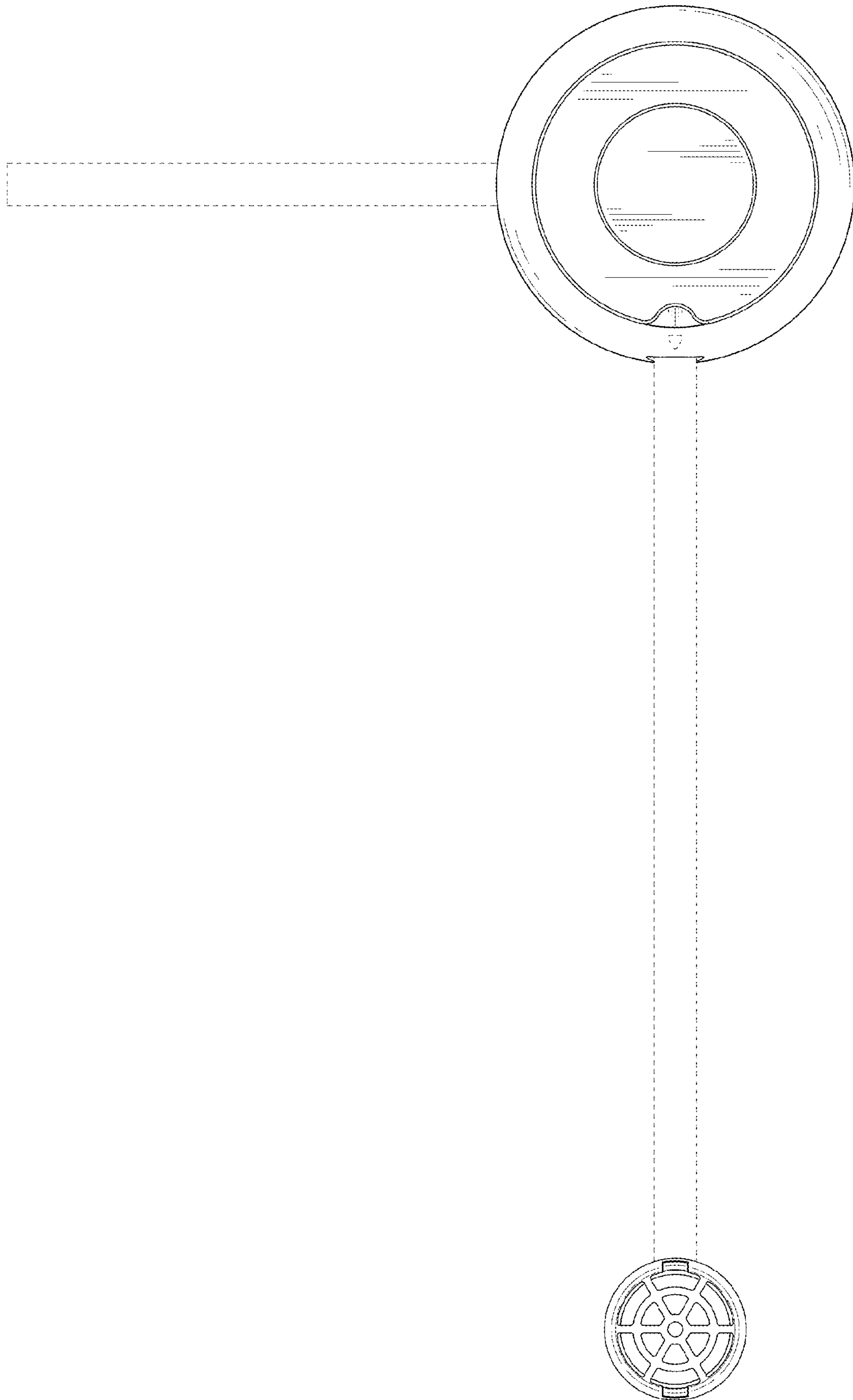


FIG. 8