



US00D928277S

(12) **United States Design Patent**  
**Kim et al.**

(10) **Patent No.:** **US D928,277 S**

(45) **Date of Patent:** **\*\* Aug. 17, 2021**

(54) **WATER TANK FOR INDOOR PLANT CULTIVATORS**

D800,185 S \* 10/2017 Onrat ..... D15/89  
D802,631 S \* 11/2017 Seo ..... D15/90  
9,903,635 B2 \* 2/2018 Eicher ..... F25D 25/025

(Continued)

(71) Applicant: **LG ELECTRONICS INC.**, Seoul (KR)

(72) Inventors: **Yong Kim**, Seoul (KR); **Kyukwan Choi**, Seoul (KR); **Minsub Kim**, Seoul (KR)

(73) Assignee: **LG ELECTRONICS INC.**, Seoul (KR)

(\*\*) Term: **15 Years**

(21) Appl. No.: **29/739,765**

(22) Filed: **Jun. 29, 2020**

(30) **Foreign Application Priority Data**

Dec. 31, 2019 (KR) ..... 30-2019-0064052

(51) **LOC (13) Cl.** ..... **23-01**

(52) **U.S. Cl.**  
USPC ..... **D23/202**

(58) **Field of Classification Search**  
USPC ..... D23/202; D15/79, 89, 90; D11/144, 155  
CPC ..... A01G 27/02; A01G 27/06; A01G 31/00;  
F25D 25/025

See application file for complete search history.

(56) **References Cited**

**U.S. PATENT DOCUMENTS**

8,590,993 B2 \* 11/2013 Lee ..... F25D 25/025  
312/404  
8,621,783 B2 \* 1/2014 Tsai ..... A01G 27/02  
47/79  
D734,784 S \* 7/2015 Kim ..... D15/89  
D774,114 S \* 12/2016 Lee ..... D15/89  
D786,949 S \* 5/2017 Onrat ..... D15/89  
D790,609 S \* 6/2017 Kim ..... D15/89

**OTHER PUBLICATIONS**

“Urban Cultivator Residential user manual” Jan. 21, 2016, Urbancultivator.net, site visited Mar. 31, 2021: <https://www.urbancultivator.net/assets/UC-R-usermanual.pdf> (Year: 2016).\*

(Continued)

*Primary Examiner* — Jack Reickel

*Assistant Examiner* — Bobby W Jones, II

(74) *Attorney, Agent, or Firm* — Birch, Stewart, Kolasch & Birch, LLP

(57) **CLAIM**

The ornamental design for a water tank for indoor plant cultivators, as shown and described.

**DESCRIPTION**

FIG. 1 is a front perspective view of the water tank for indoor plant cultivators showing our new design;

FIG. 2 is a front view thereof;

FIG. 3 is a back view thereof;

FIG. 4 is a left side view thereof;

FIG. 5 is a right side view thereof;

FIG. 6 is a top plan view thereof;

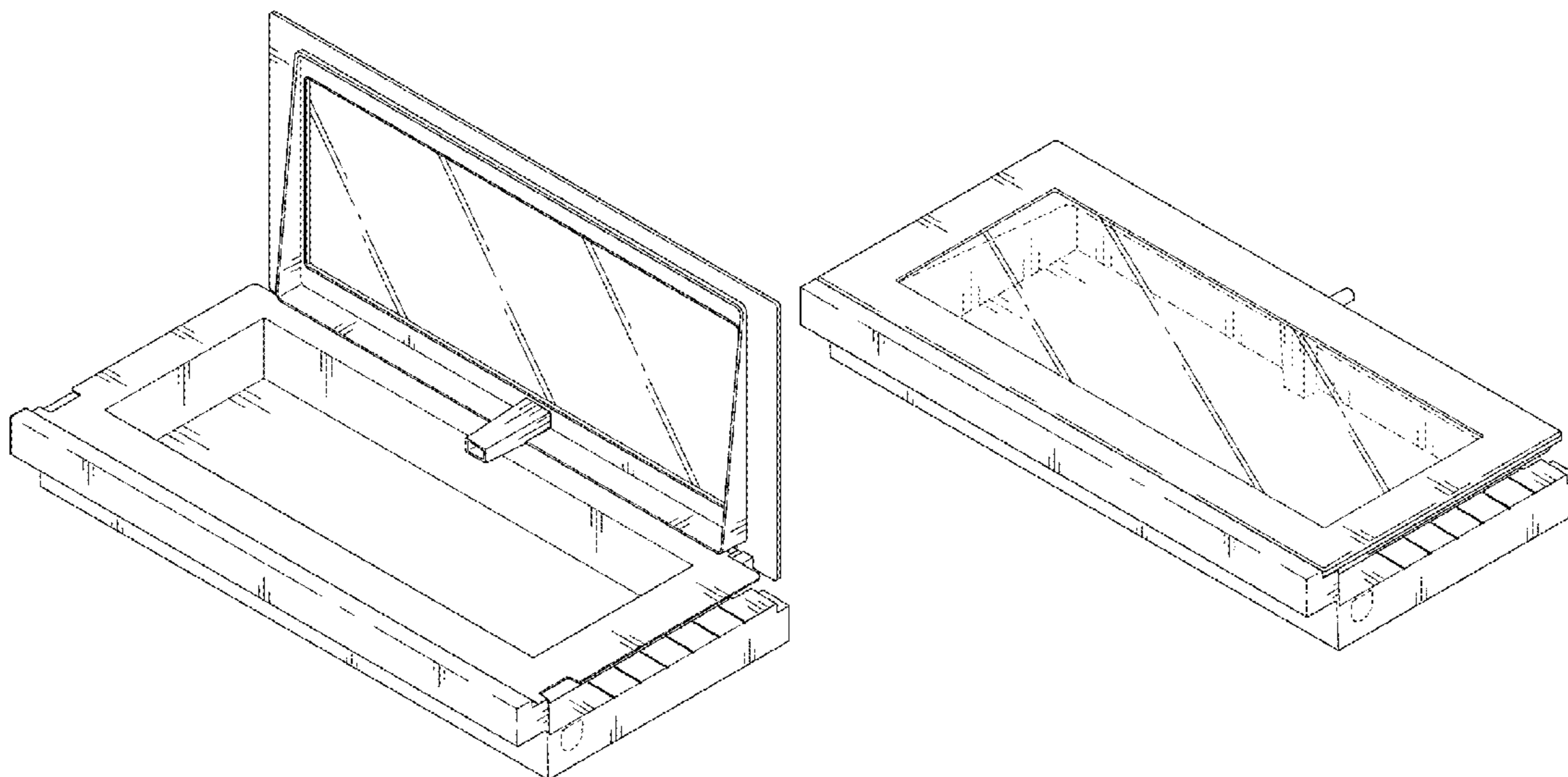
FIG. 7 is a bottom plan view thereof;

FIG. 8 is a perspective view thereof in a condition that the cover of the claimed design has been closed; and,

FIG. 9 is a reference view showing the state of use in which the claimed design is being installed at the bottom part of the indoor plant cultivators.

The broken lines depict portions of the water tank for indoor plant cultivators that form no part of the claimed design. The portions of FIG. 9 drawn in broken lines show environmental structure only and form no part of the claimed design.

**1 Claim, 9 Drawing Sheets**



(56)

**References Cited**

U.S. PATENT DOCUMENTS

10,436,500 B2\* 10/2019 Jo ..... F25D 25/021  
 2004/0031705 A1\* 2/2004 DeTemple, II .... B65D 43/0212  
 206/213.1  
 2006/0016211 A1\* 1/2006 Lyvers ..... F25D 25/025  
 62/440  
 2008/0083163 A1\* 4/2008 Amsellem ..... A01G 9/042  
 47/66.6  
 2012/0079845 A1\* 4/2012 Hong ..... F25D 25/025  
 62/407  
 2012/0126680 A1\* 5/2012 Lee ..... F25D 25/025  
 312/408  
 2013/0221824 A1\* 8/2013 Jeon ..... F25D 25/025  
 312/404  
 2014/0312759 A1\* 10/2014 Song ..... F25D 23/069  
 312/405.1  
 2015/0022072 A1\* 1/2015 Haltmeyer ..... A47B 97/00  
 312/401

2016/0265816 A1\* 9/2016 Gillette ..... F25D 25/025  
 2016/0366919 A1\* 12/2016 van Someren Greve .....  
 A23L 3/3418  
 2017/0131016 A1\* 5/2017 Eicher ..... F25D 25/021  
 2017/0303515 A1\* 10/2017 Lu ..... F25D 31/006  
 2018/0149415 A1\* 5/2018 Jo ..... F25D 25/025  
 2018/0209713 A1\* 7/2018 Yun ..... F25D 11/02  
 2018/0238611 A1\* 8/2018 Saunders ..... F25C 5/22  
 2018/0347871 A1\* 12/2018 Park ..... F25B 21/04

OTHER PUBLICATIONS

“GardenChef Soil Planting 2018” Sep. 18, 2018, YouTube, site visited Apr. 5, 2021: <https://www.youtube.com/watch?v=9YotRv3nieo> (Year: 2018).\*  
 “Family Garden user manual” Dec. 22, 2020, Rise Gardens, site visited Apr. 5, 2021: [https://cdn.shopify.com/s/files/1/0245/4614/8404/files/Family\\_Garden\\_-\\_User\\_Manual\\_-\\_V6\\_1.pdf](https://cdn.shopify.com/s/files/1/0245/4614/8404/files/Family_Garden_-_User_Manual_-_V6_1.pdf) (Year: 2020).\*

\* cited by examiner

FIG. 1

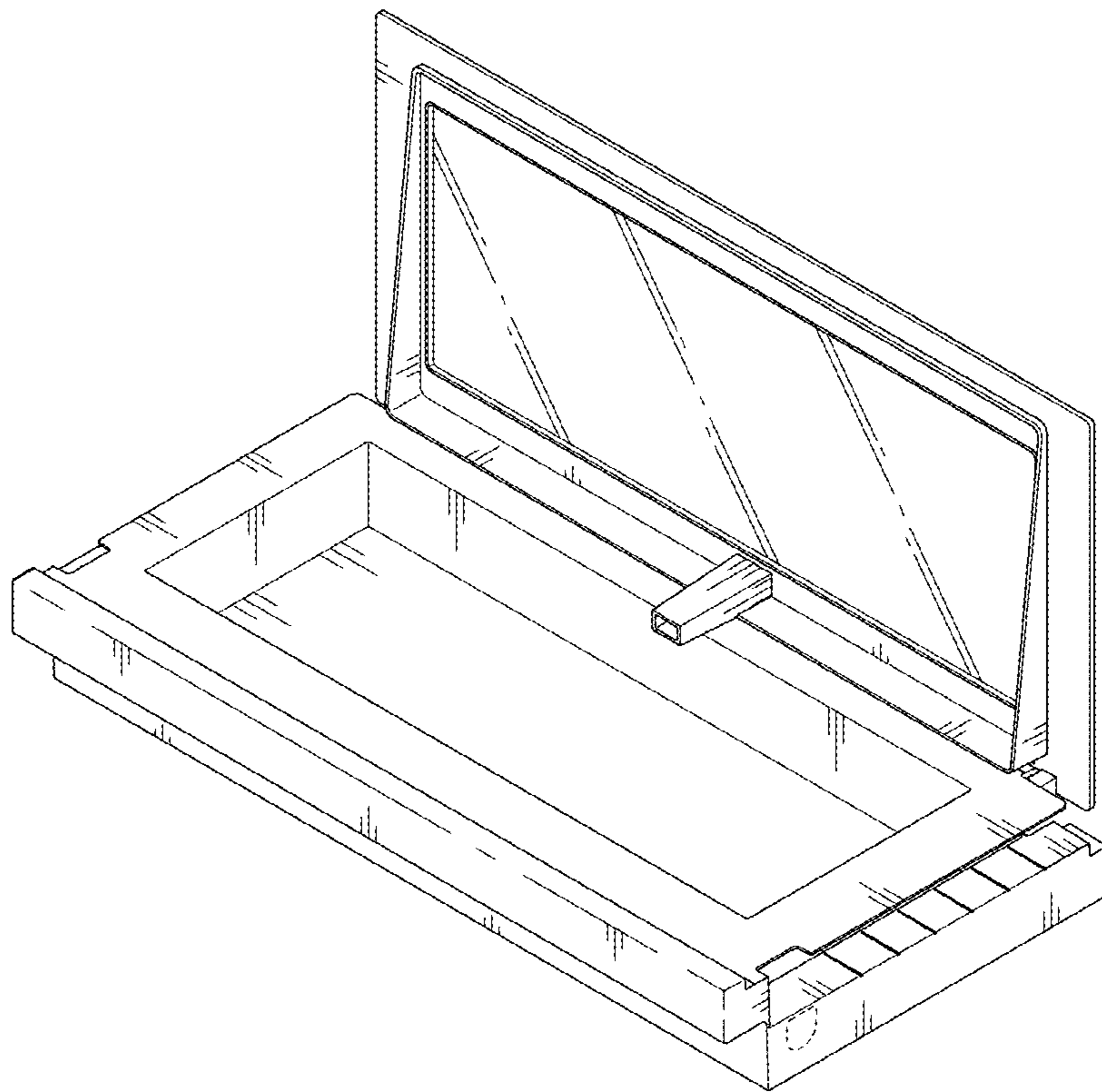


FIG. 2

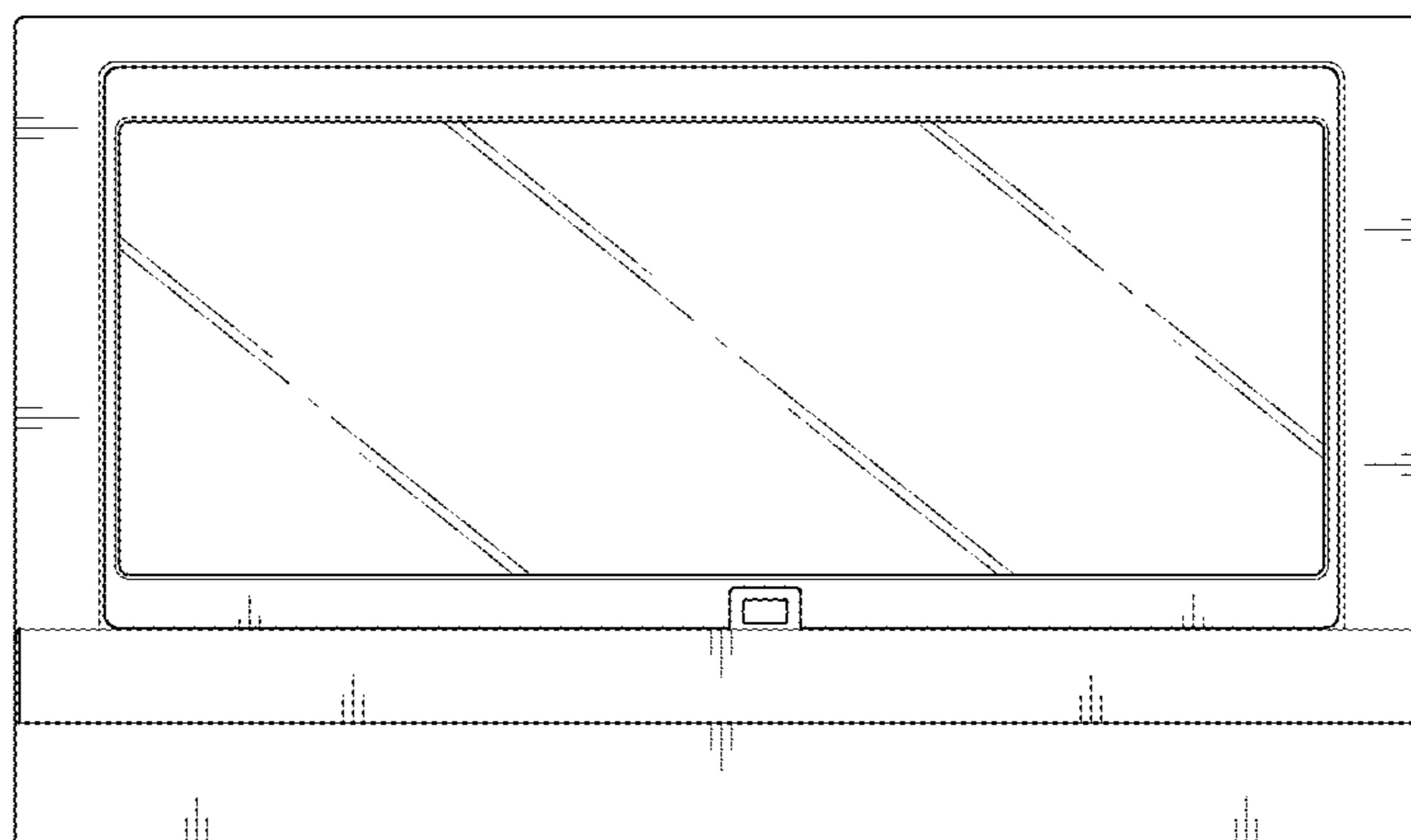


FIG. 3

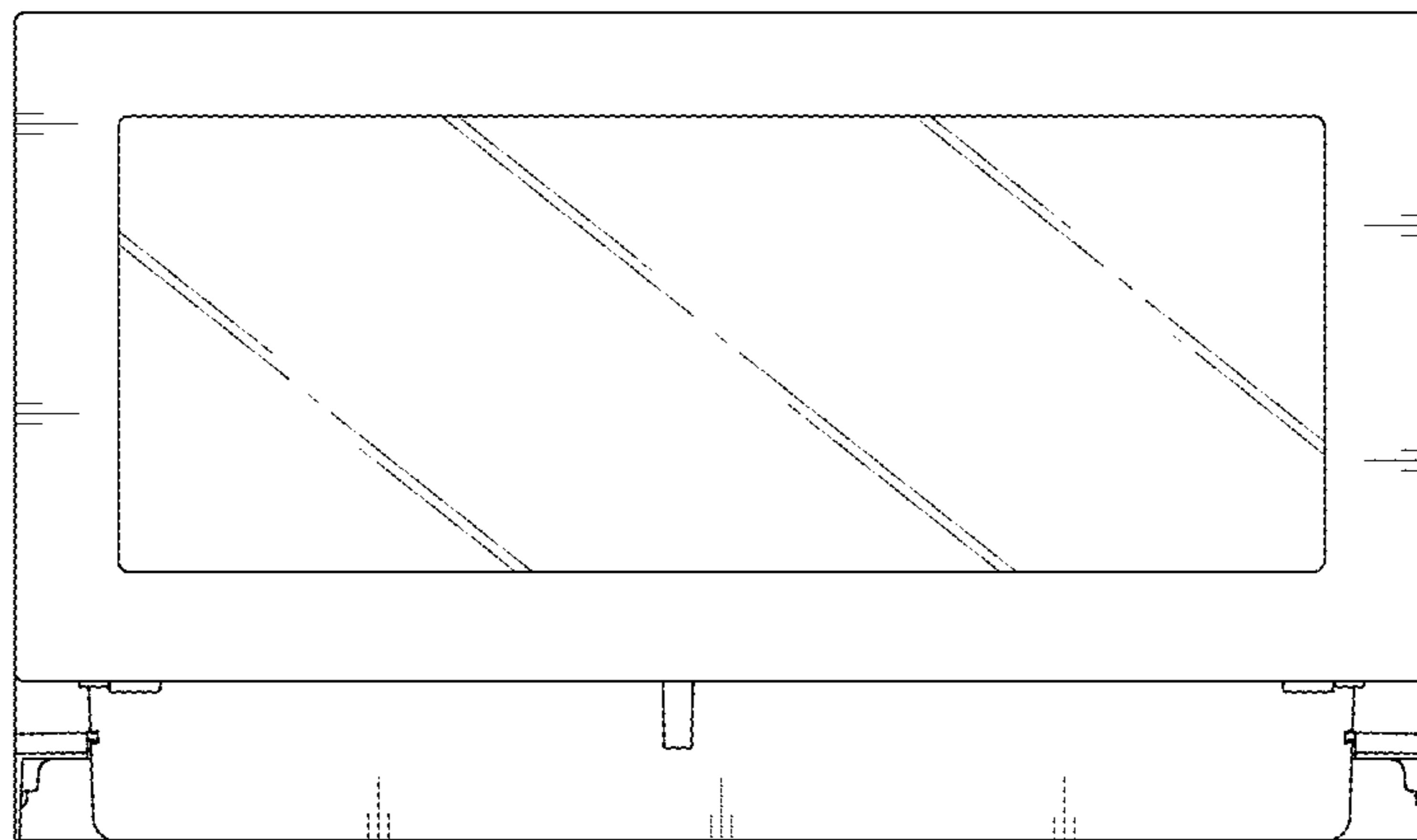


FIG. 4

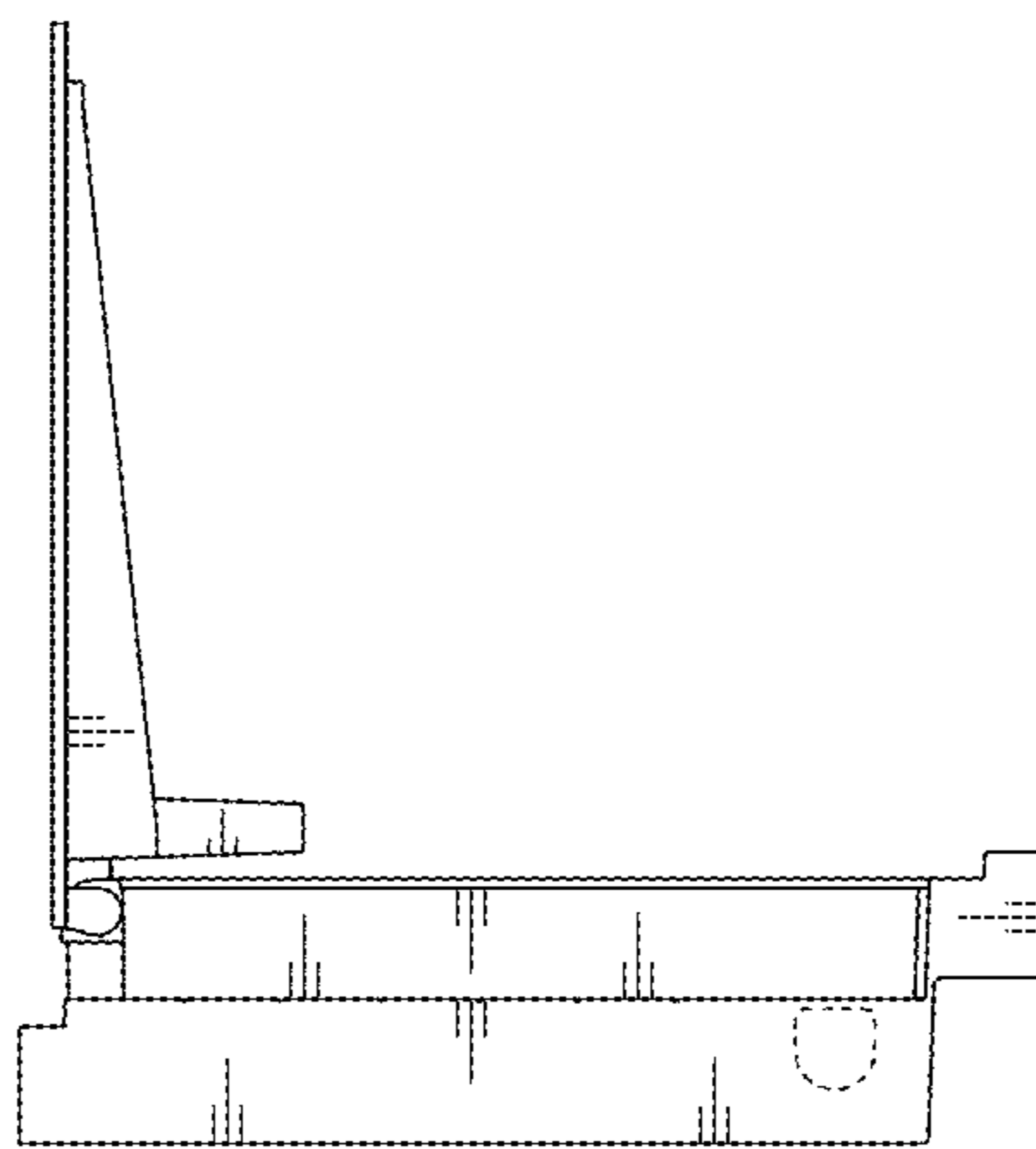


FIG. 5

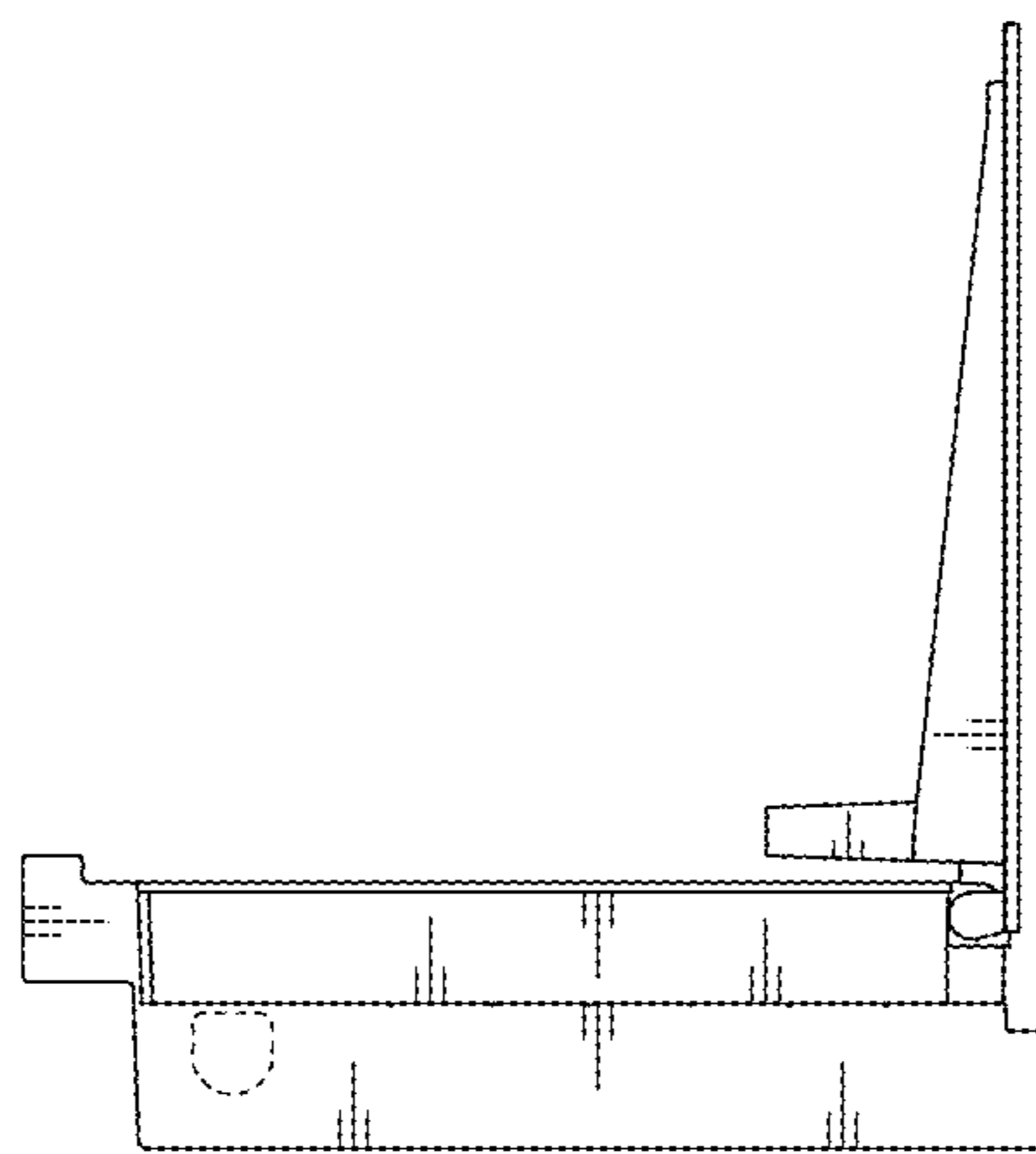


FIG. 6

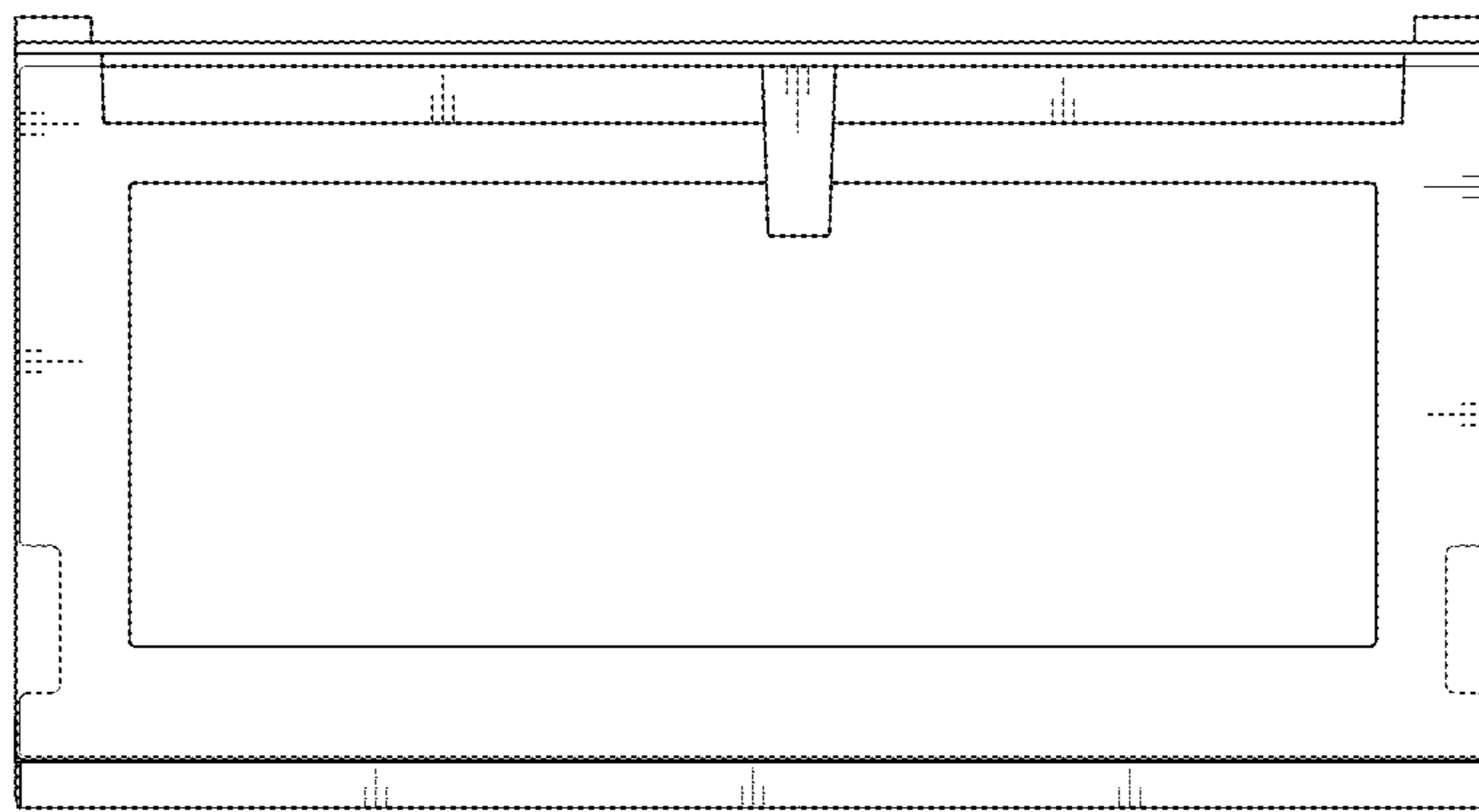




FIG. 7

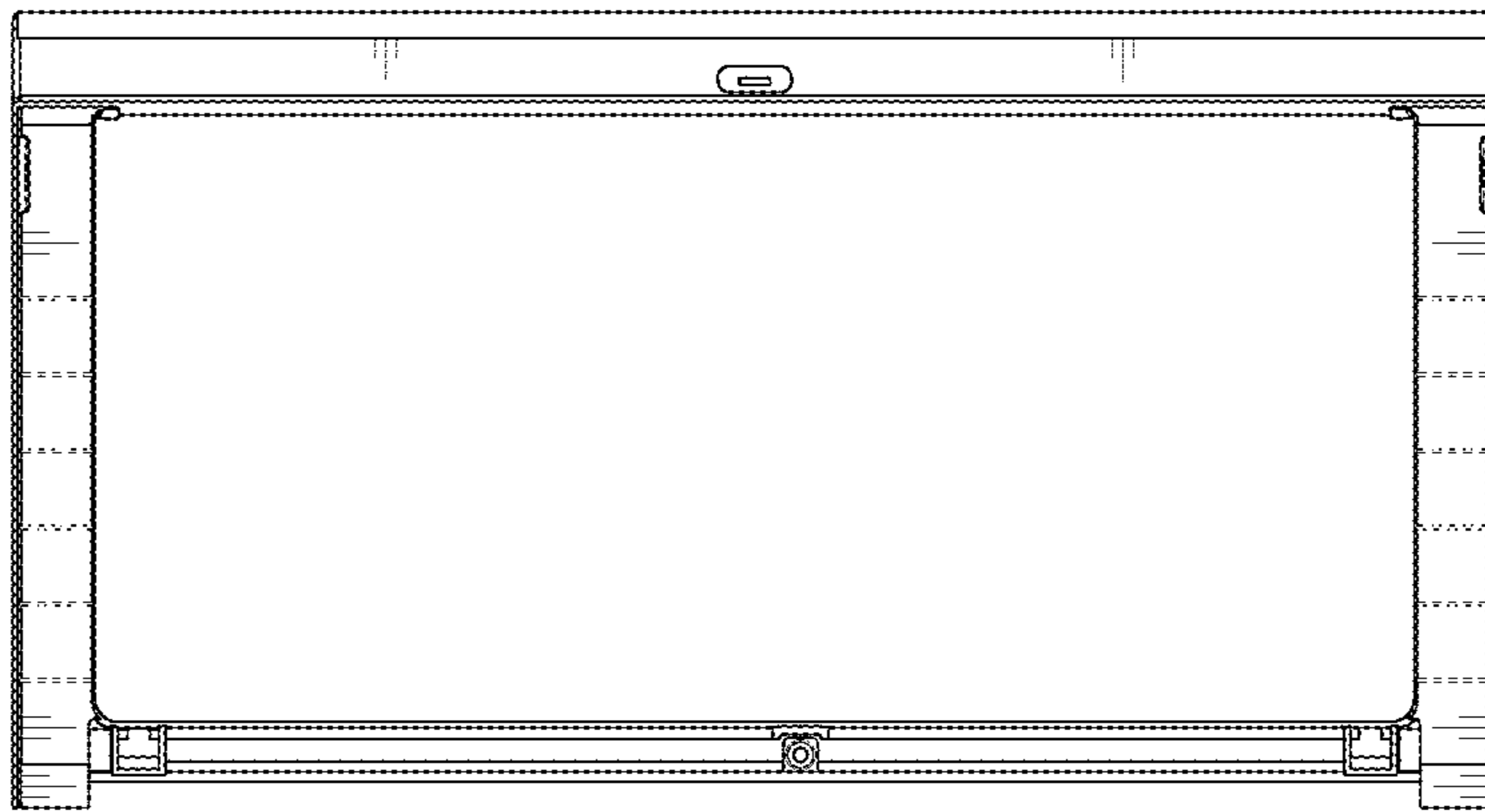


FIG. 8

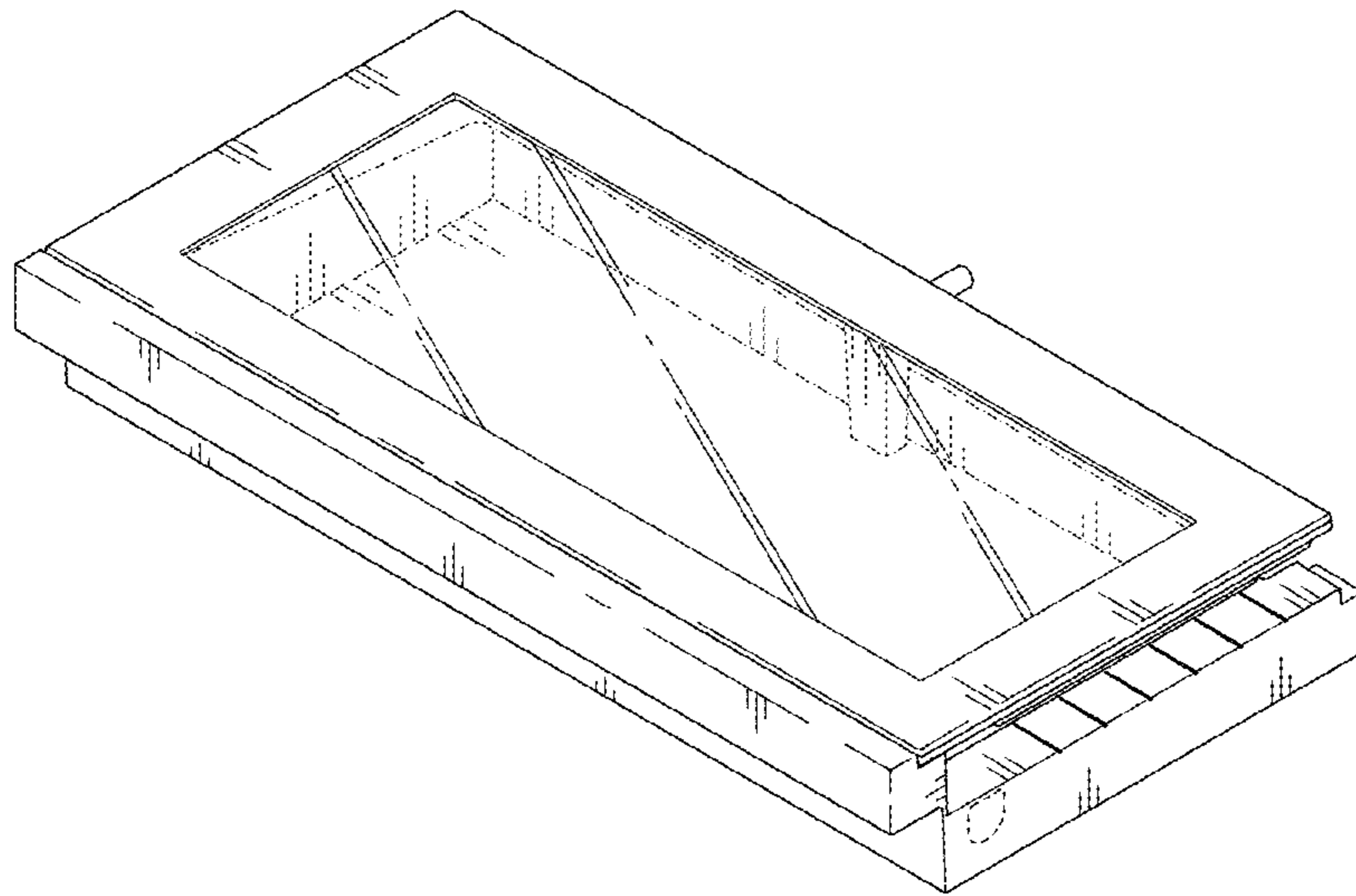


FIG. 9

