



US00D928276S

(12) **United States Design Patent**  
**McPeck**

(10) **Patent No.:** **US D928,276 S**

(45) **Date of Patent:** **\*\* Aug. 17, 2021**

(54) **FOUNTAIN**

(71) Applicant: **Marshall McPeck**, Columbus, OH (US)

(72) Inventor: **Marshall McPeck**, Columbus, OH (US)

(\*\*) Term: **15 Years**

(21) Appl. No.: **29/689,717**

(22) Filed: **May 1, 2019**

**Related U.S. Application Data**

(60) Division of application No. 29/661,962, filed on Aug. 31, 2018, now Pat. No. Des. 847,942, which is a  
(Continued)

(51) **LOC (13) Cl.** ..... **23-01**

(52) **U.S. Cl.**  
USPC ..... **D23/200**

(58) **Field of Classification Search**  
USPC ..... D23/200-201, 209; D11/131  
(Continued)

(56) **References Cited**

**U.S. PATENT DOCUMENTS**

1,782,944 A 11/1930 Stanford et al.  
2,519,736 A \* 8/1950 Bradley ..... A01K 39/026  
219/472

(Continued)

**FOREIGN PATENT DOCUMENTS**

GB 3004089 \* 5/2002

**OTHER PUBLICATIONS**

Endless vortex water fountain, Published May 3, 2016[online], [site visited Jan. 6, 2021]. Available from internet, URL:<<https://oddtymall.com/vortex-water-fountain>> (Year: 2016).\*

(Continued)

*Primary Examiner* — Barbara Fox

*Assistant Examiner* — Jamaal Rasheed

(74) *Attorney, Agent, or Firm* — Standley Law Group  
LLP

(57) **CLAIM**

The ornamental design for a fountain, as shown and described above.

**DESCRIPTION**

FIG. 1 is a front perspective view of a fountain of the present invention, shown in a first embodiment;

FIG. 2 is a front elevation view of the fountain of FIG. 1;

FIG. 3 is a rear elevation view of the FIG. 1 embodiment;

FIG. 4 is a right side view of the FIG. 1 embodiment;

FIG. 5 is a left side view of the FIG. 1 embodiment;

FIG. 6 is a top plan view of the FIG. 1 embodiment;

FIG. 7 is a bottom view of the FIG. 1 embodiment;

FIG. 8 is an exploded perspective view of the FIG. 1 embodiment;

FIG. 9 is an environmental perspective view of the FIG. 1 embodiment;

FIG. 10 is a front perspective view of the fountain of the present invention, shown in a second embodiment;

FIG. 11 is a front elevation view of the FIG. 10 embodiment;

FIG. 12 is a rear elevation view of the FIG. 10 embodiment;

FIG. 13 is a right side view of the FIG. 10 embodiment;

FIG. 14 is a left side view of the FIG. 10 embodiment;

FIG. 15 is a top plan view of the FIG. 10 embodiment;

FIG. 16 is a bottom view of the FIG. 10 embodiment;

FIG. 17 is an exploded perspective view of the FIG. 10 embodiment; and,

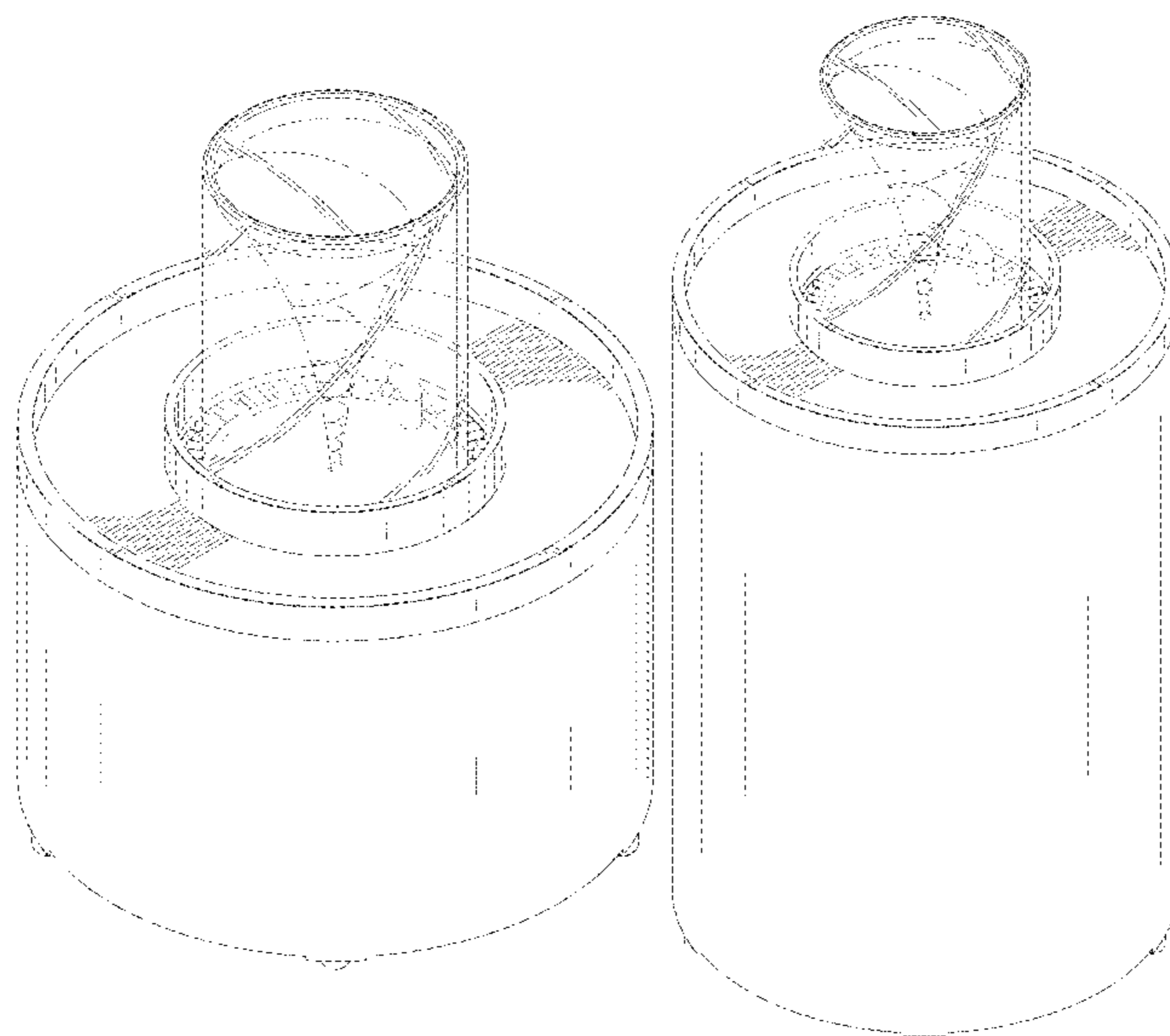
FIG. 18 is an environmental perspective view of the FIG. 10 embodiment.

The broken lines of FIG. 9 and FIG. 18 depict environment.

The remaining broken lines depict portions of the fountain.

The broken lines shown in the drawings form no part of the claimed design.

**1 Claim, 18 Drawing Sheets**



**Related U.S. Application Data**

continuation-in-part of application No. 29/598,129, filed on Mar. 23, 2017, now Pat. No. Des. 835,751, and a continuation-in-part of application No. 15/683,820, filed on Aug. 23, 2017, which is a continuation of application No. 29/598,129, filed on Mar. 23, 2017.

(60) Provisional application No. 62/485,683, filed on Apr. 14, 2017, provisional application No. 62/813,320, filed on Aug. 31, 2016.

(58) **Field of Classification Search**

CPC ..... B04C 3/00  
See application file for complete search history.

(56) **References Cited**

U.S. PATENT DOCUMENTS

3,199,268	A *	8/1965	Oehlich .....	B04C 5/00 96/372
4,258,912	A	3/1981	Reighart, II	
4,452,562	A	6/1984	Hsu	
4,490,931	A	1/1985	Fleemin	
D293,128	S	12/1987	Karamian	
D319,487	S *	8/1991	Lougee .....	D23/209
D319,488	S *	8/1991	Lougee .....	D23/209
D394,301	S *	5/1998	Fisher .....	D23/201
D420,423	S	2/2000	Blount	
6,207,064	B1	3/2001	Gargas	
6,439,471	B2	8/2002	Ehrlich et al.	
6,527,197	B1	3/2003	Lin	
D497,659	S	10/2004	Bright et al.	
D503,833	S	4/2005	Bright et al.	
6,921,023	B1 *	7/2005	Bright .....	F21S 8/00 239/17
6,971,779	B2	12/2005	Tau et al.	
D582,509	S	12/2008	Konkle	
7,905,728	B2	3/2011	Piontek	
D640,344	S	6/2011	Hadi	

D689,978	S	9/2013	Mei Ying	
D697,580	S	1/2014	Hadi	
D835,751	S	12/2018	McPeek	
D841,769	S *	2/2019	Tappeiner .....	D23/201
D841,770	S *	2/2019	Tappeiner .....	D23/201
D847,942	S *	5/2019	McPeek .....	D23/201
D847,943	S *	5/2019	McPeek .....	D23/201
10,478,831	B1	11/2019	Soin et al.	
2001/0036609	A1	11/2001	Ehrlich et al.	
2007/0187523	A1 *	8/2007	Bond .....	A23G 1/0009 239/18
2008/0099574	A1	5/2008	Lin	
2018/0015428	A1	1/2018	Nardella	
2018/0243761	A1	8/2018	Hashimoto	

OTHER PUBLICATIONS

William Pye, Charybdis II, 2012, <http://www.williampye.com/works/charybdis-ii-oman>.

William Pye, Caribdis, 2012, <http://www.williampye.com/works/caribdis>.

William Pye, Aquabar, 2003, <http://www.williampye.com/works/aquabar>.

William Pye, Mini Vortex, <http://www.williampye.com/works/mini-vortex>, site visited Jul. 27, 2017.

William Pye, Scylla, 2001, <http://www.williampye.com/works/scylla>.

William Pye, Charybdis, 2000, <http://www.williampye.com/works/charybdis>.

HY8812 Cyclone, posted Aug. 6, 2018 [online], [retrieved Jan. 6, 2021]. Retrieved from internet, [https://www.youtube.com/watch?v=pyJlSy4OtY&feature=emb\\_logo](https://www.youtube.com/watch?v=pyJlSy4OtY&feature=emb_logo) (on or around timestamp 0:11 into the video).

Quox Creek Vortex, announced Dec. 4, 2017[online], [site visited Jan. 6, 2021], Available from internet, URL:<<https://www.amazon.com/Quox-Creek-Vortex-Fountain-Tabletop/dp/B077WMY641>> (Year: 2017).

\* cited by examiner

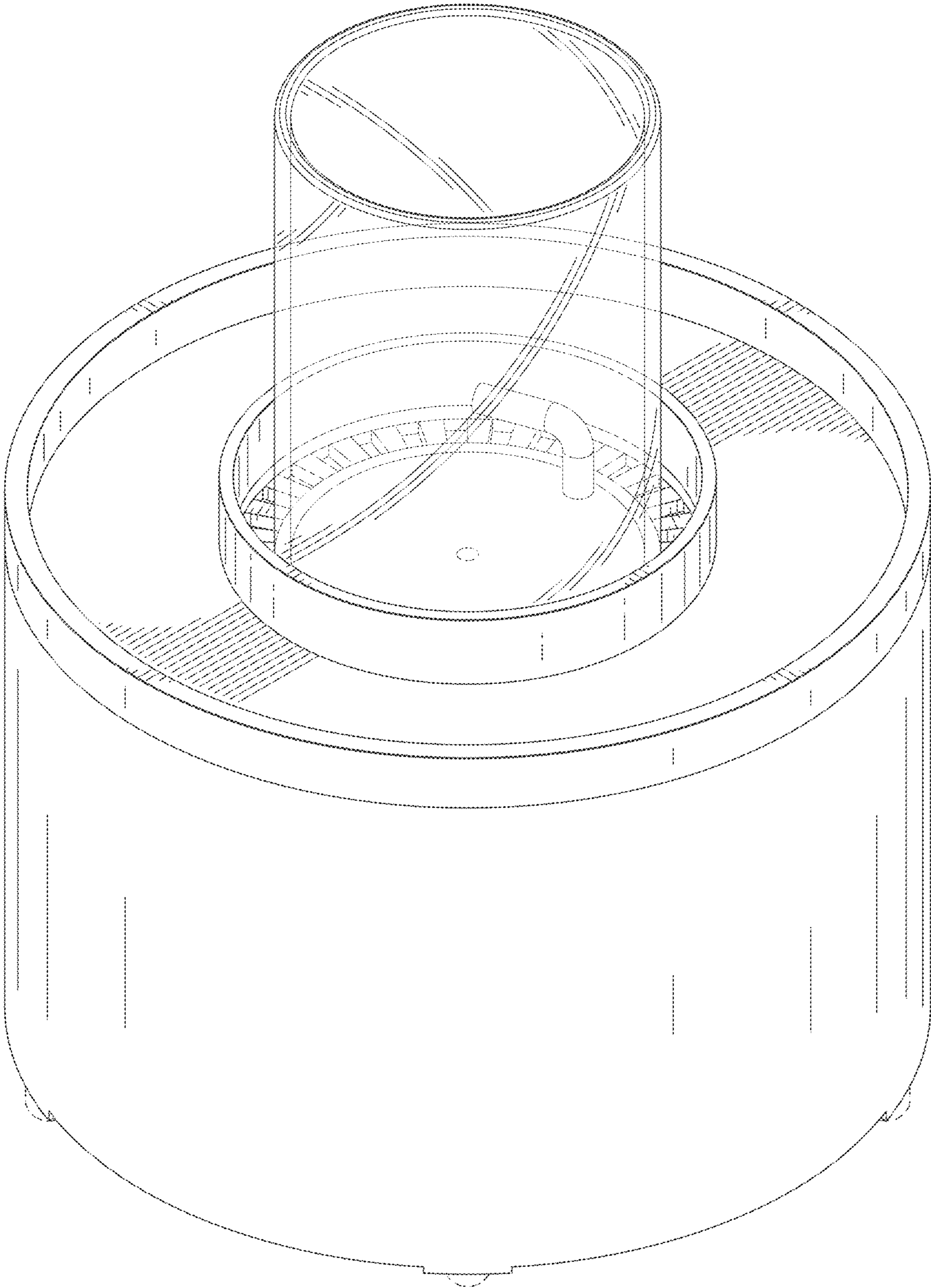


FIG. 1



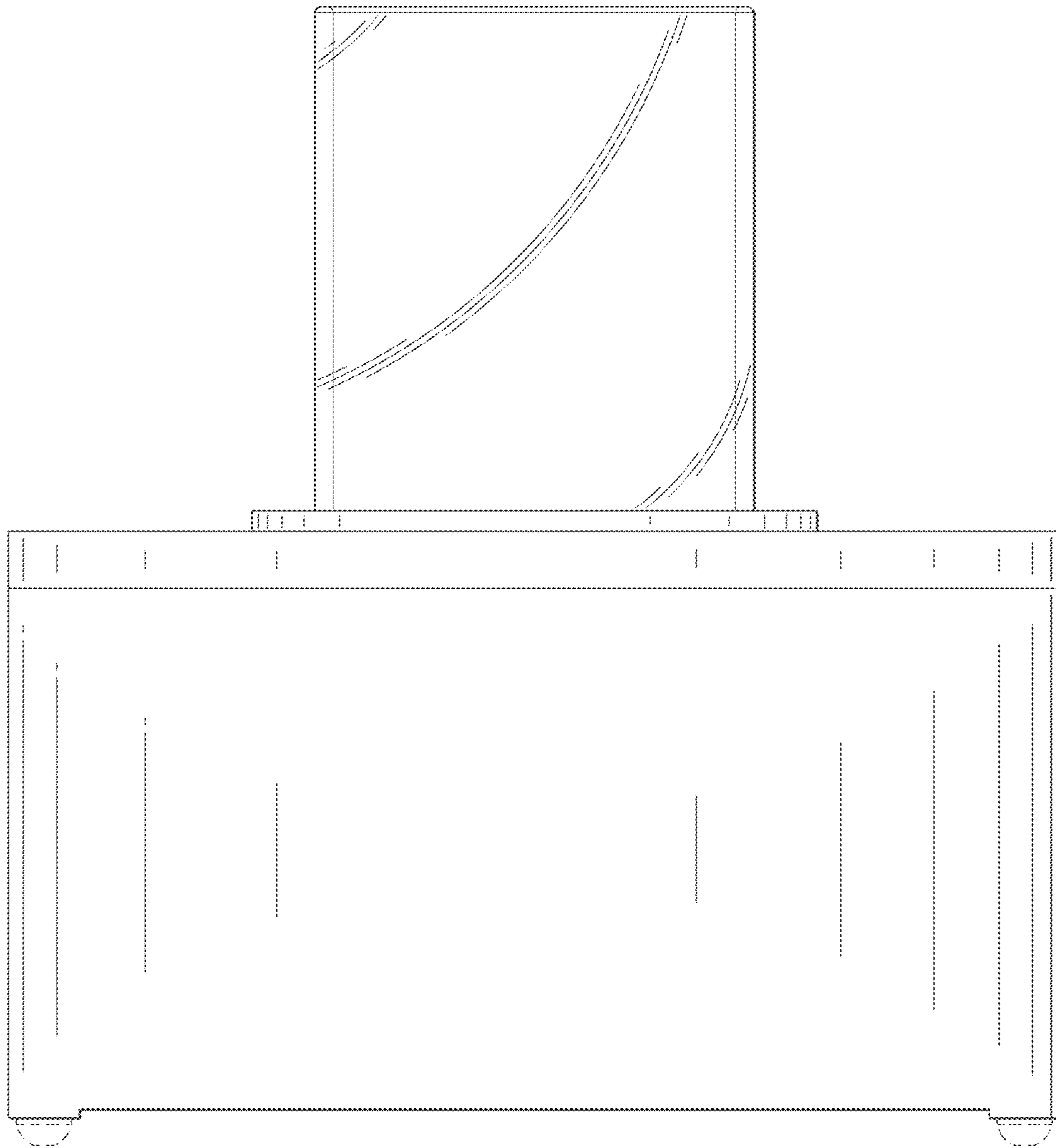


FIG. 2

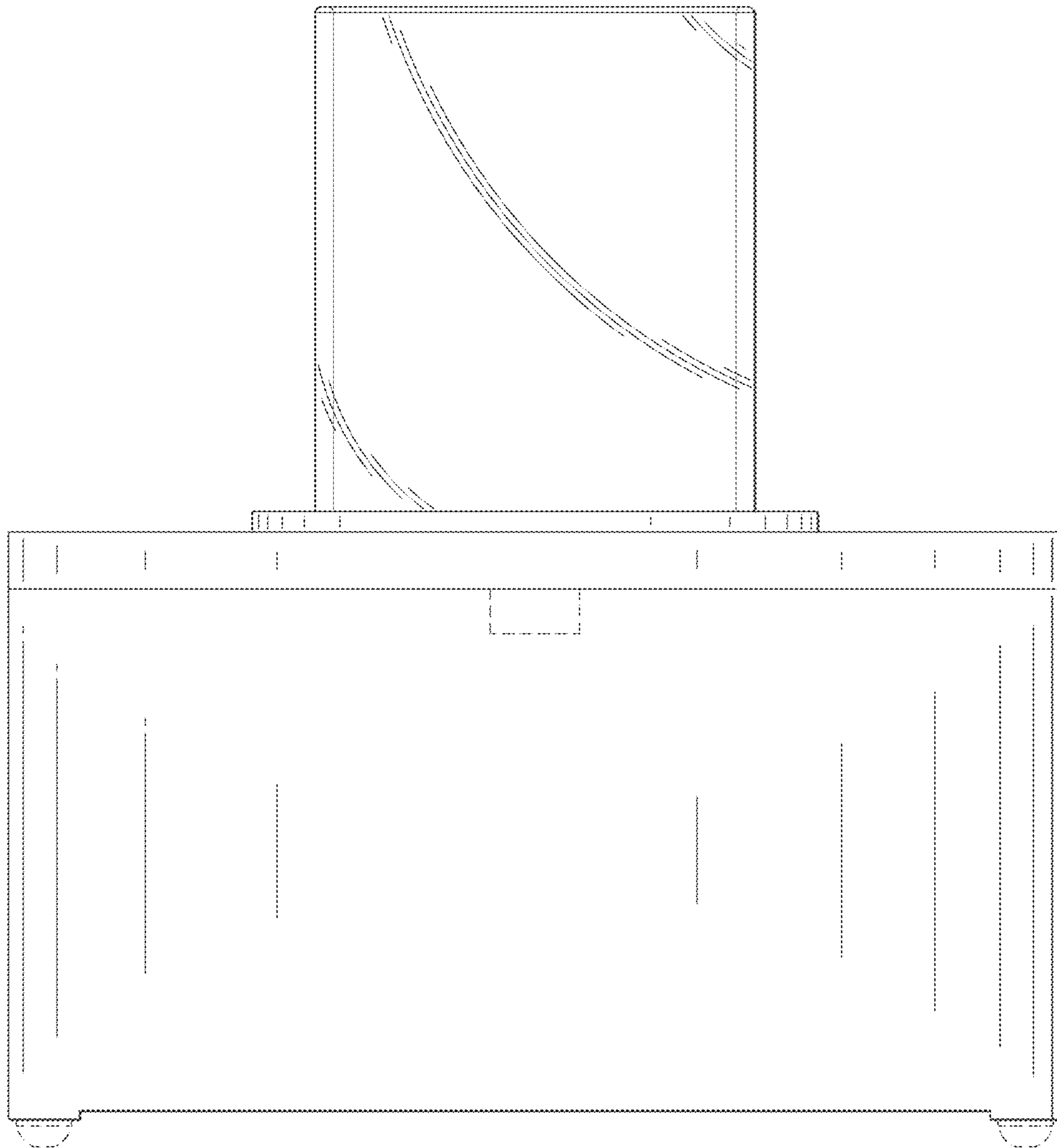


FIG. 3

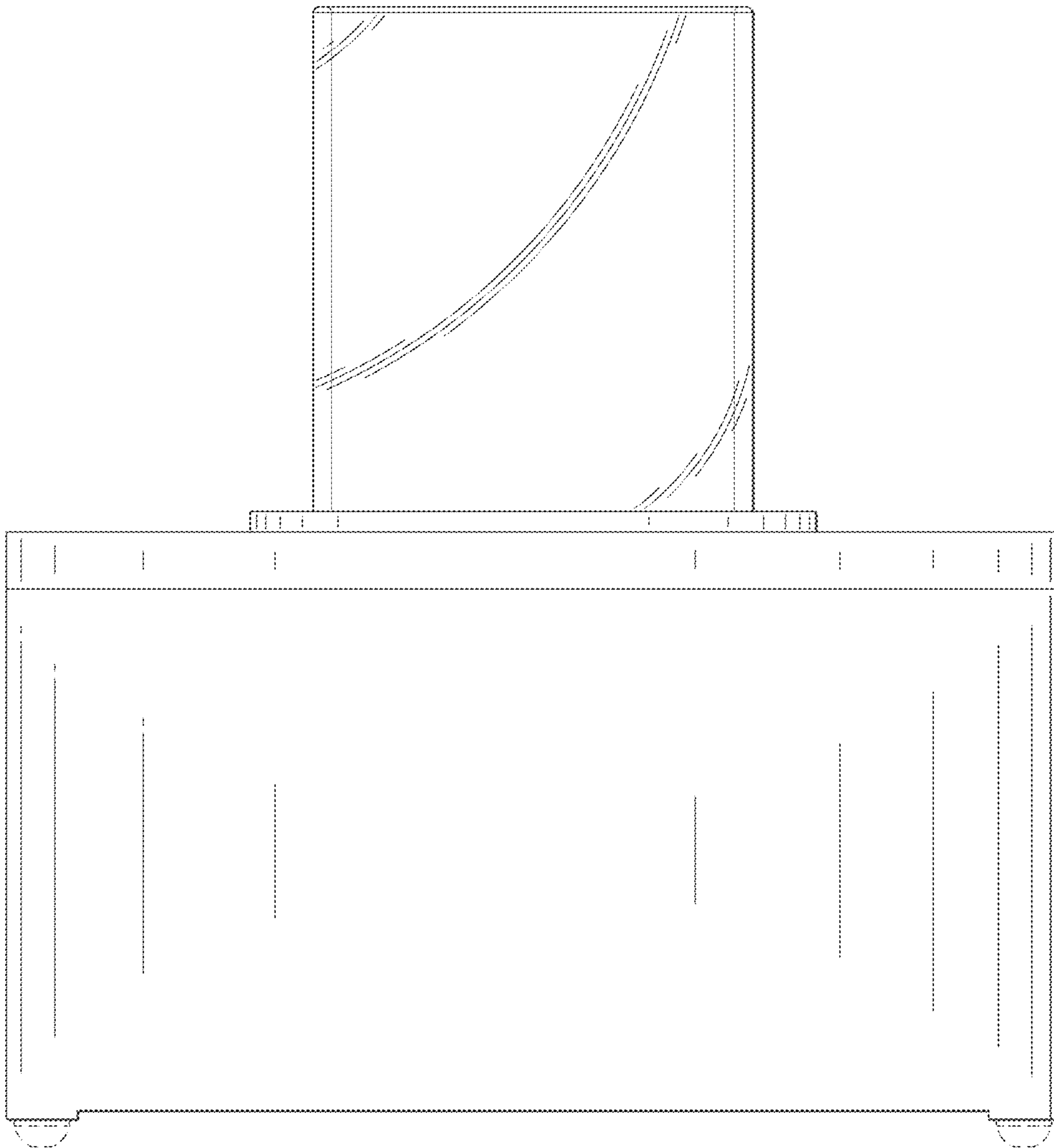


FIG. 4

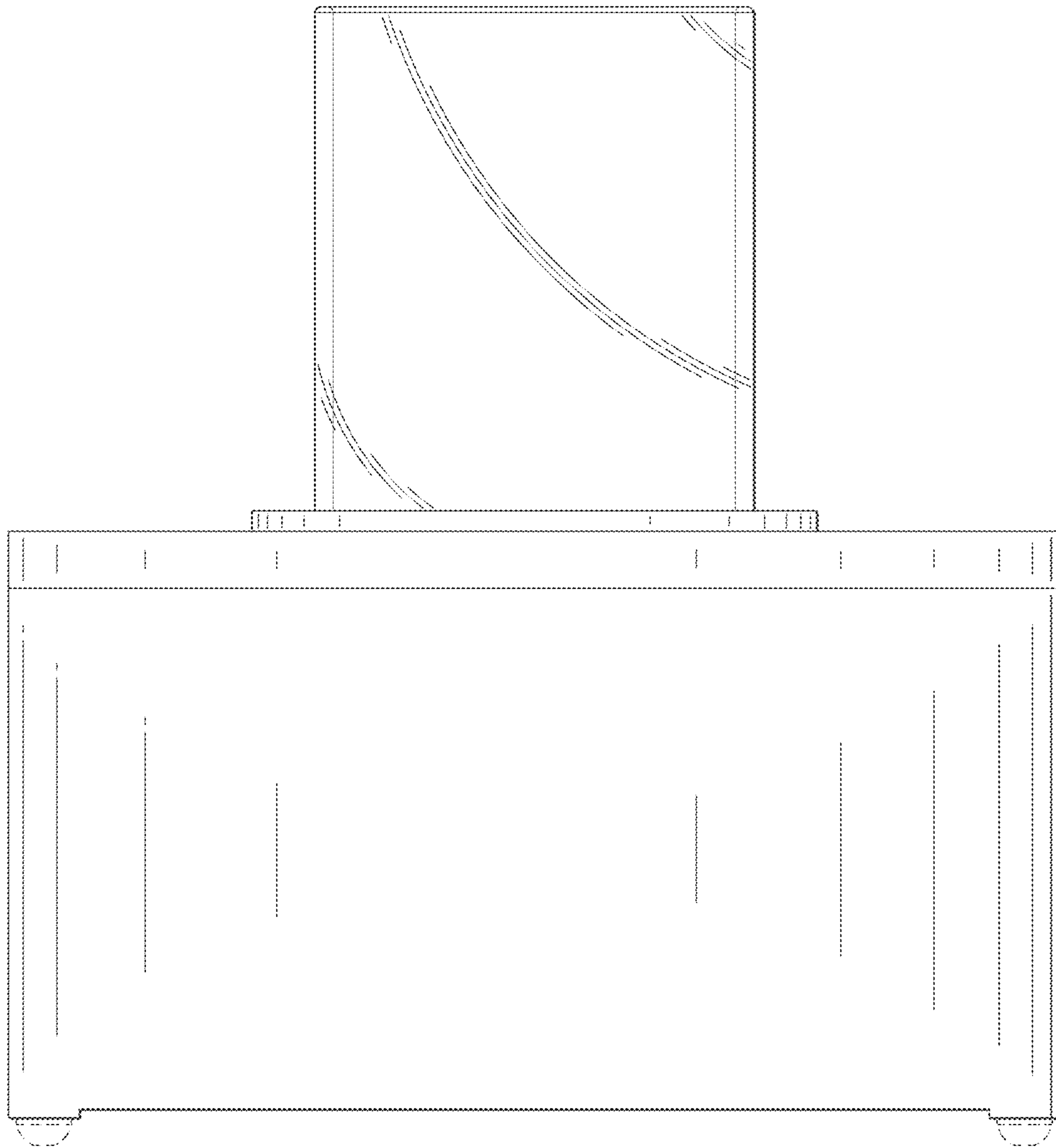


FIG. 5

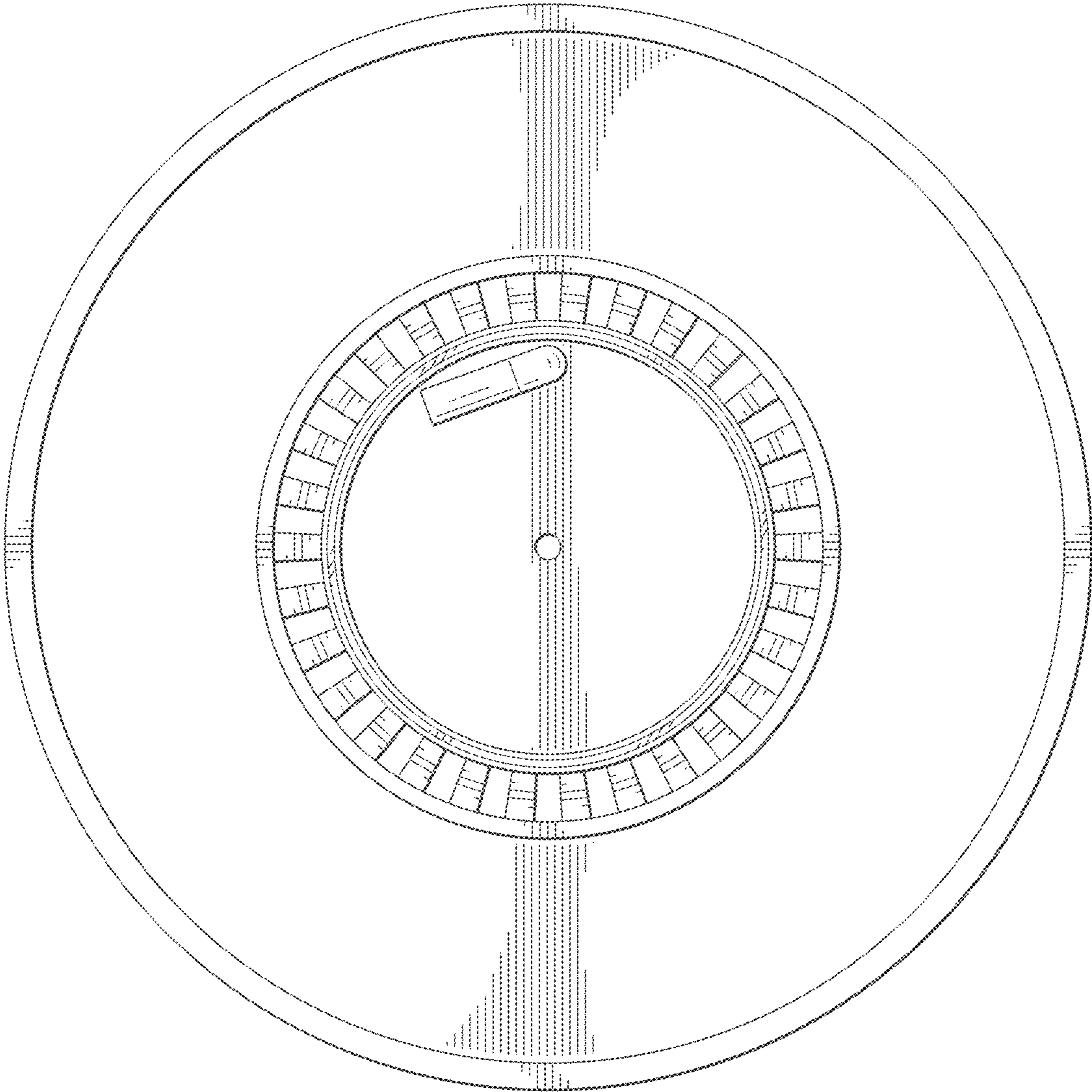


FIG. 6



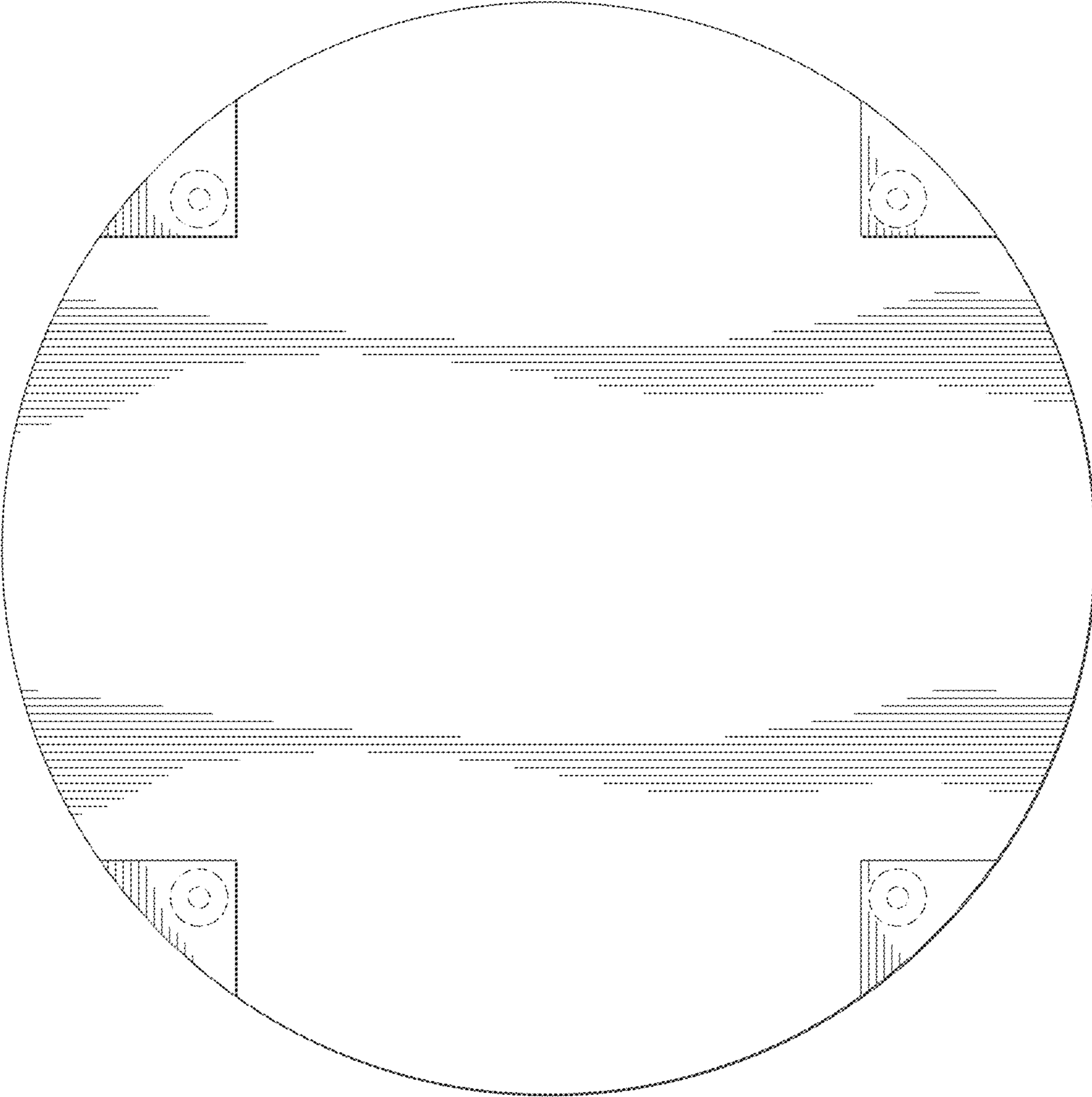


FIG. 7

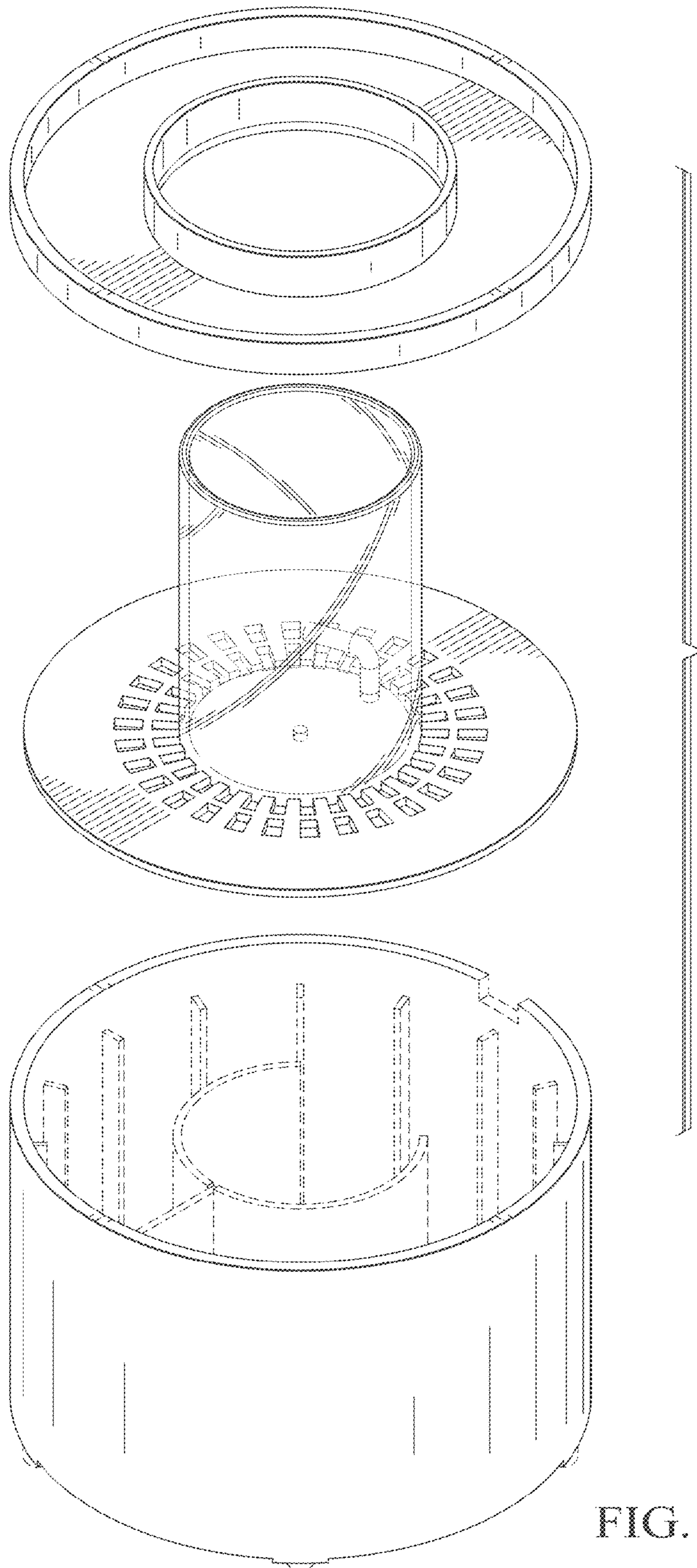


FIG. 8

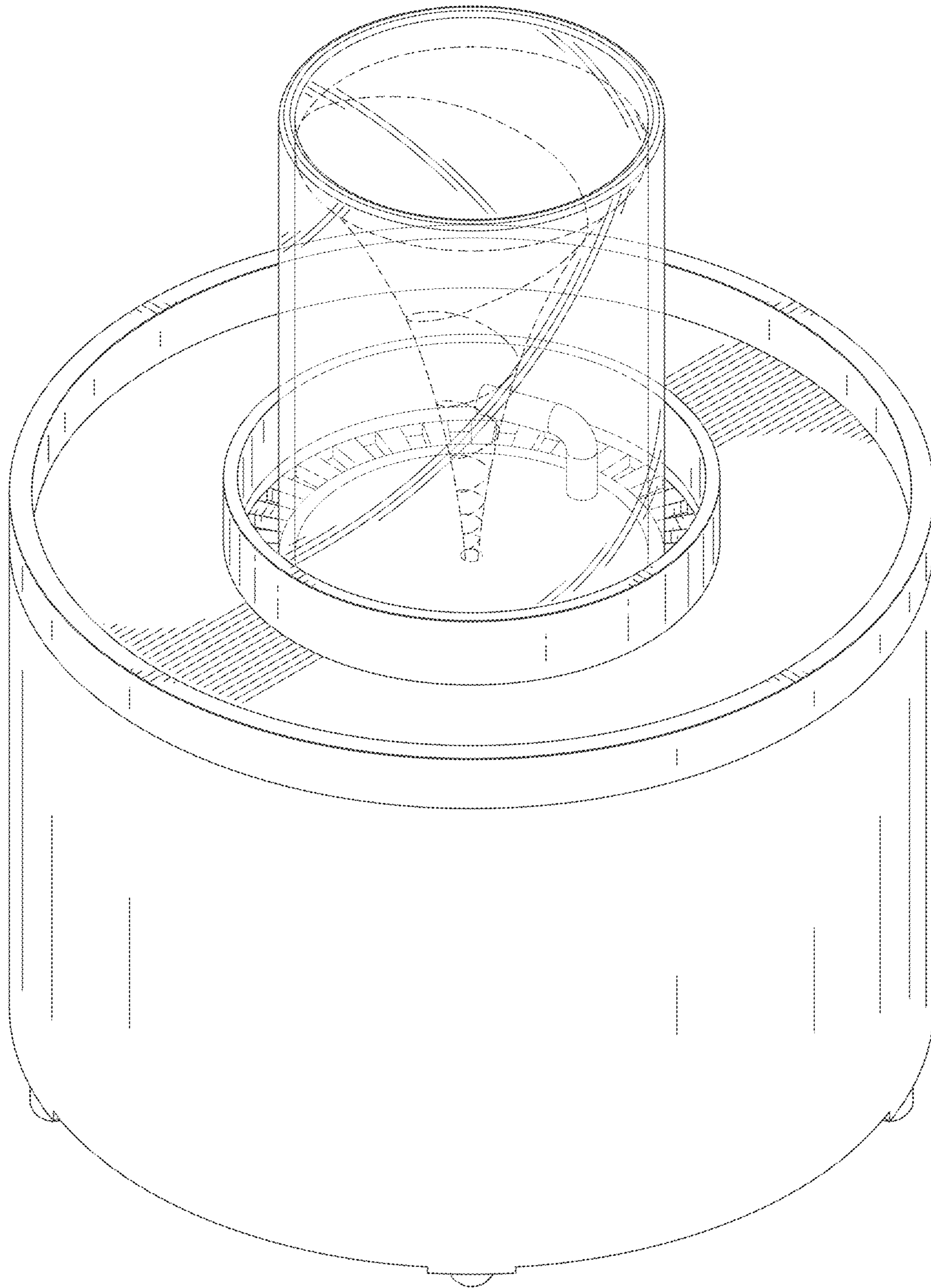


FIG. 9

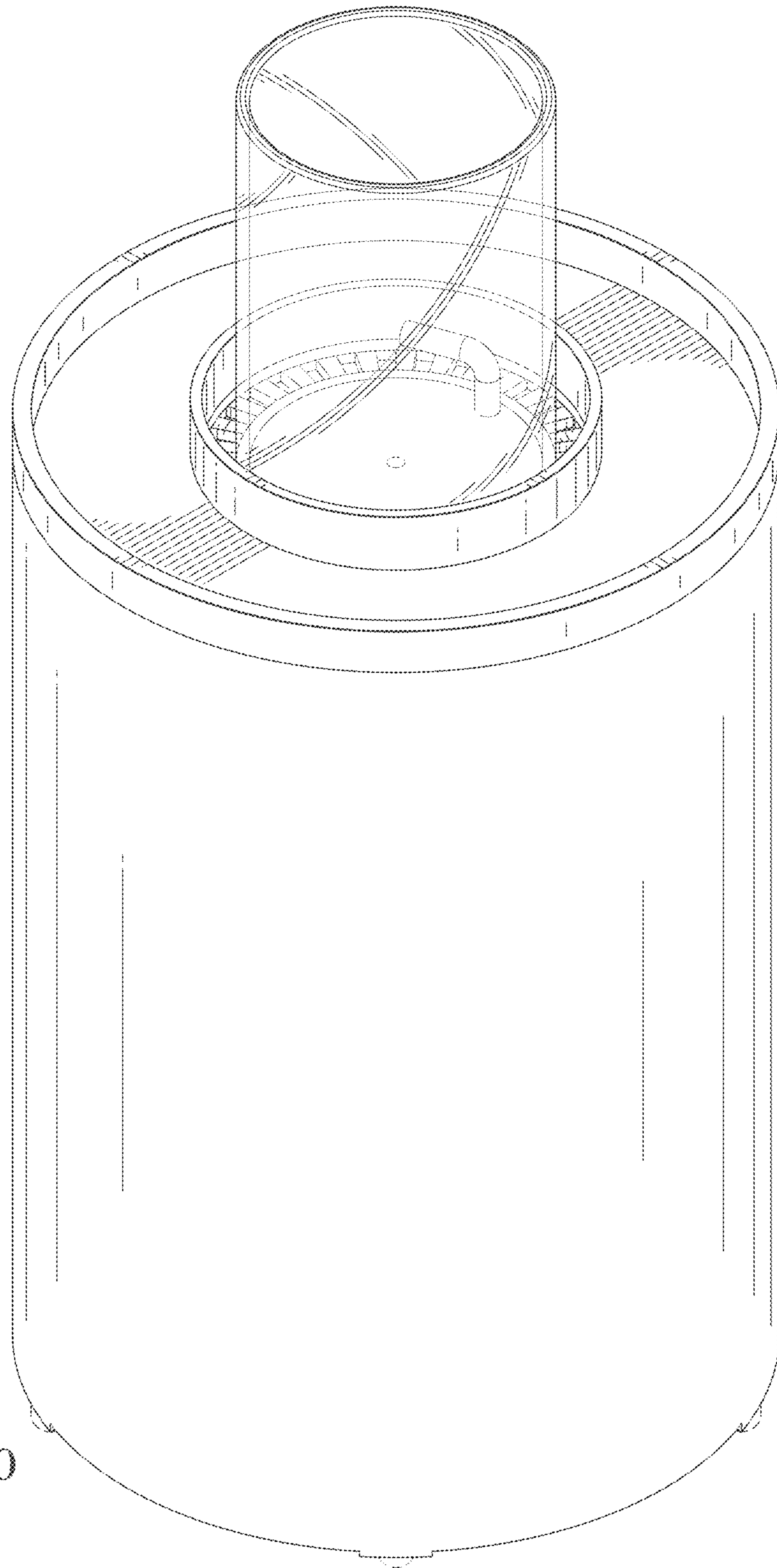


FIG. 10



FIG. 11

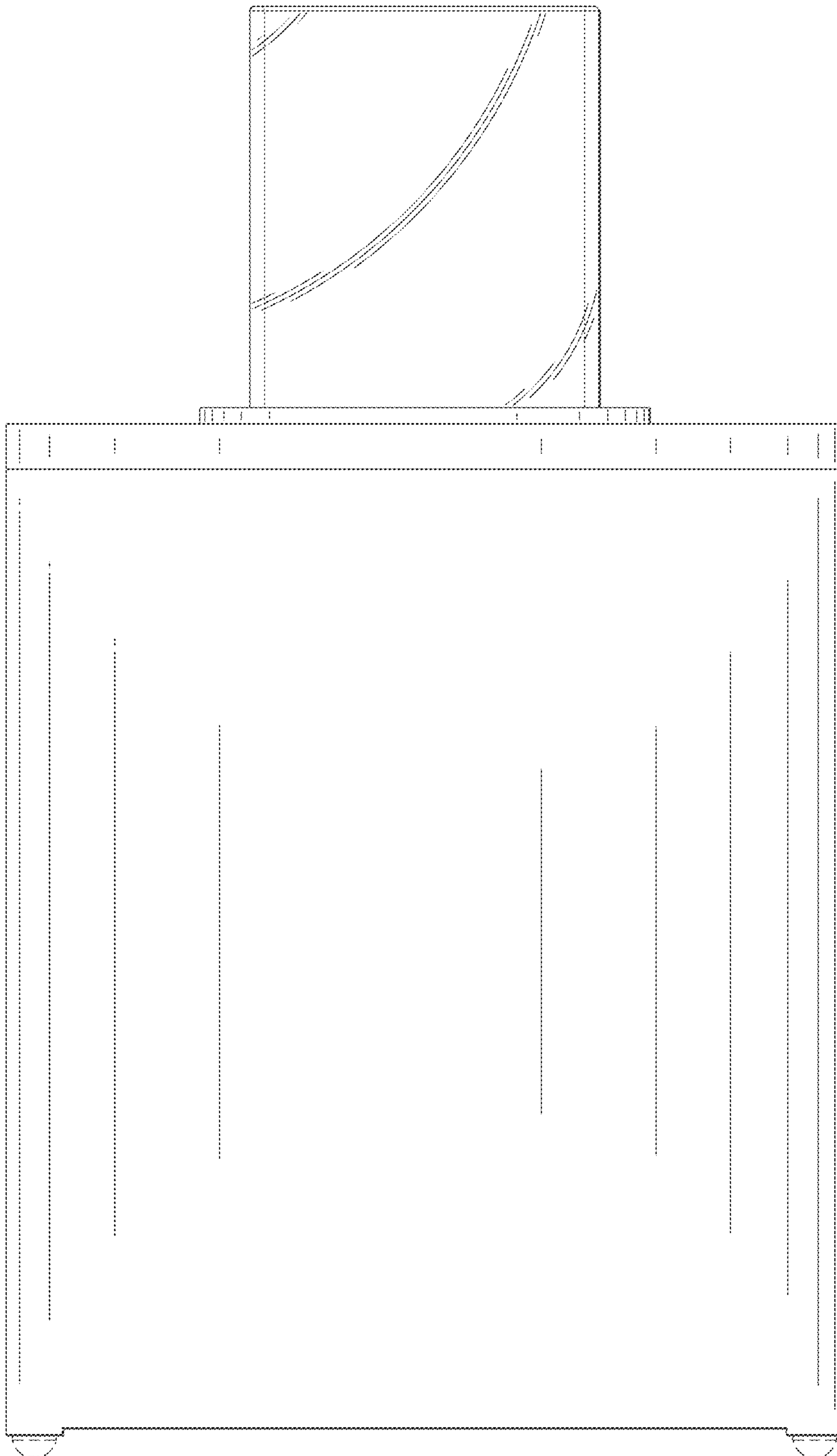


FIG. 12

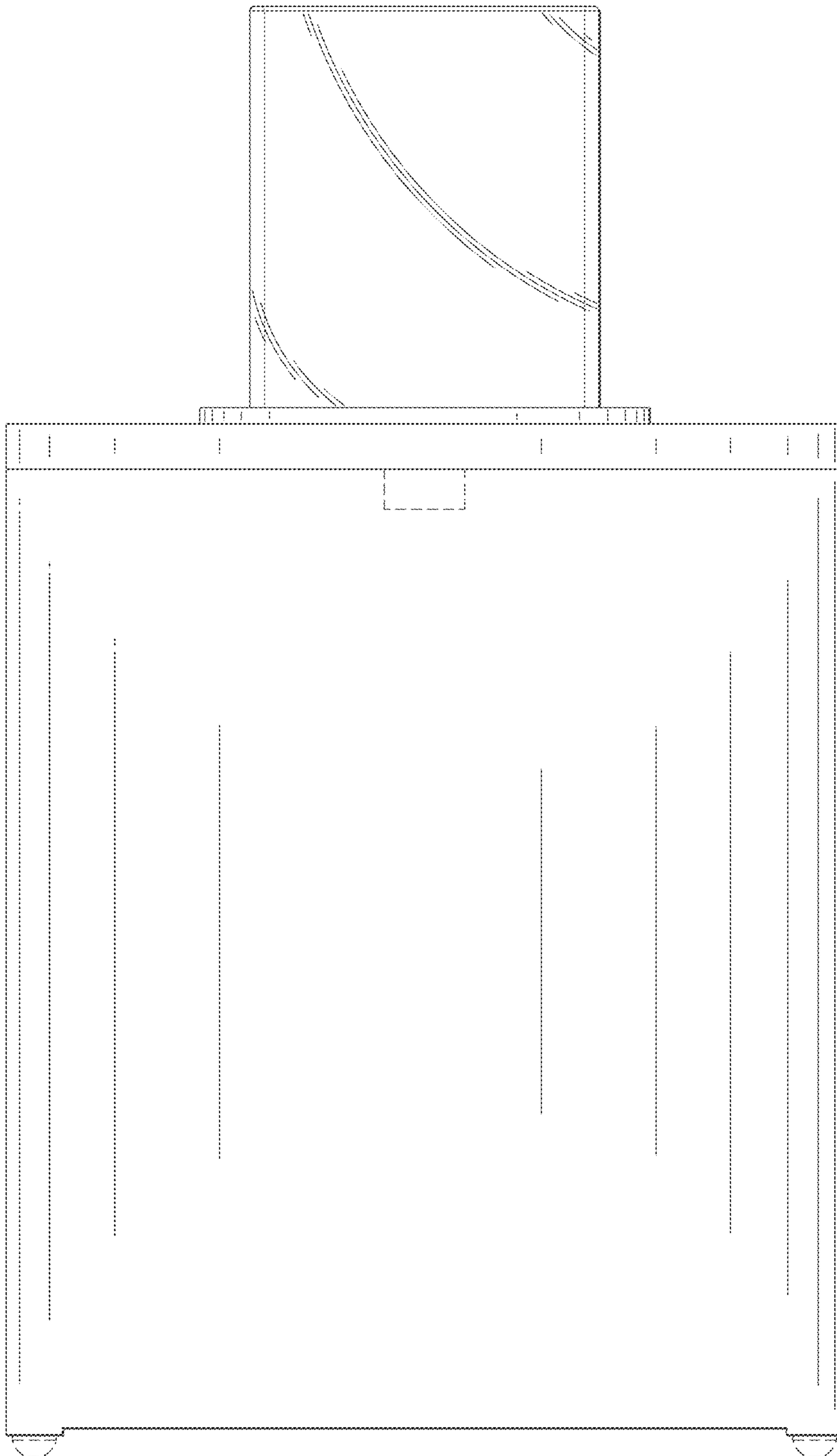


FIG. 13

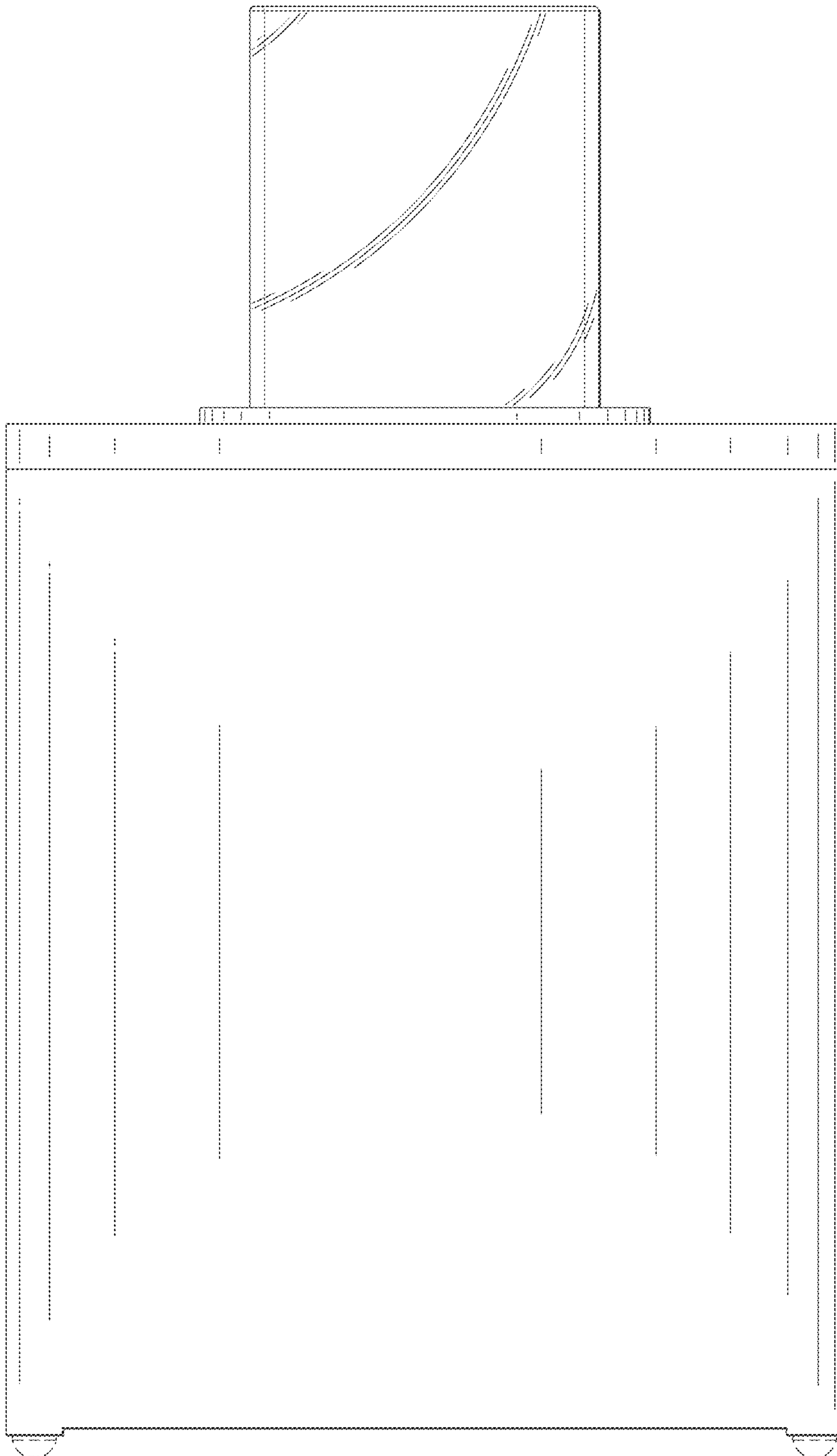
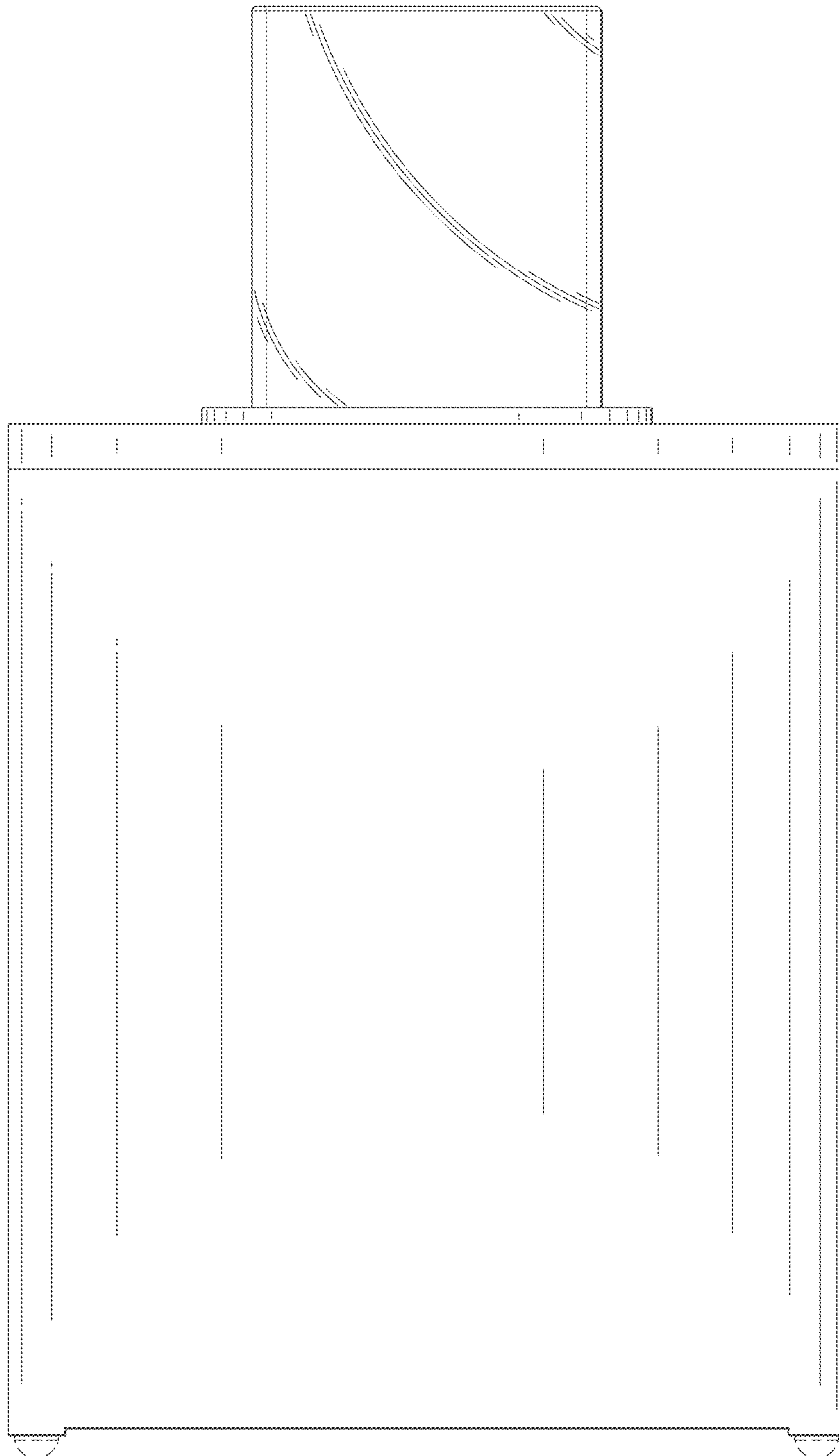


FIG. 14





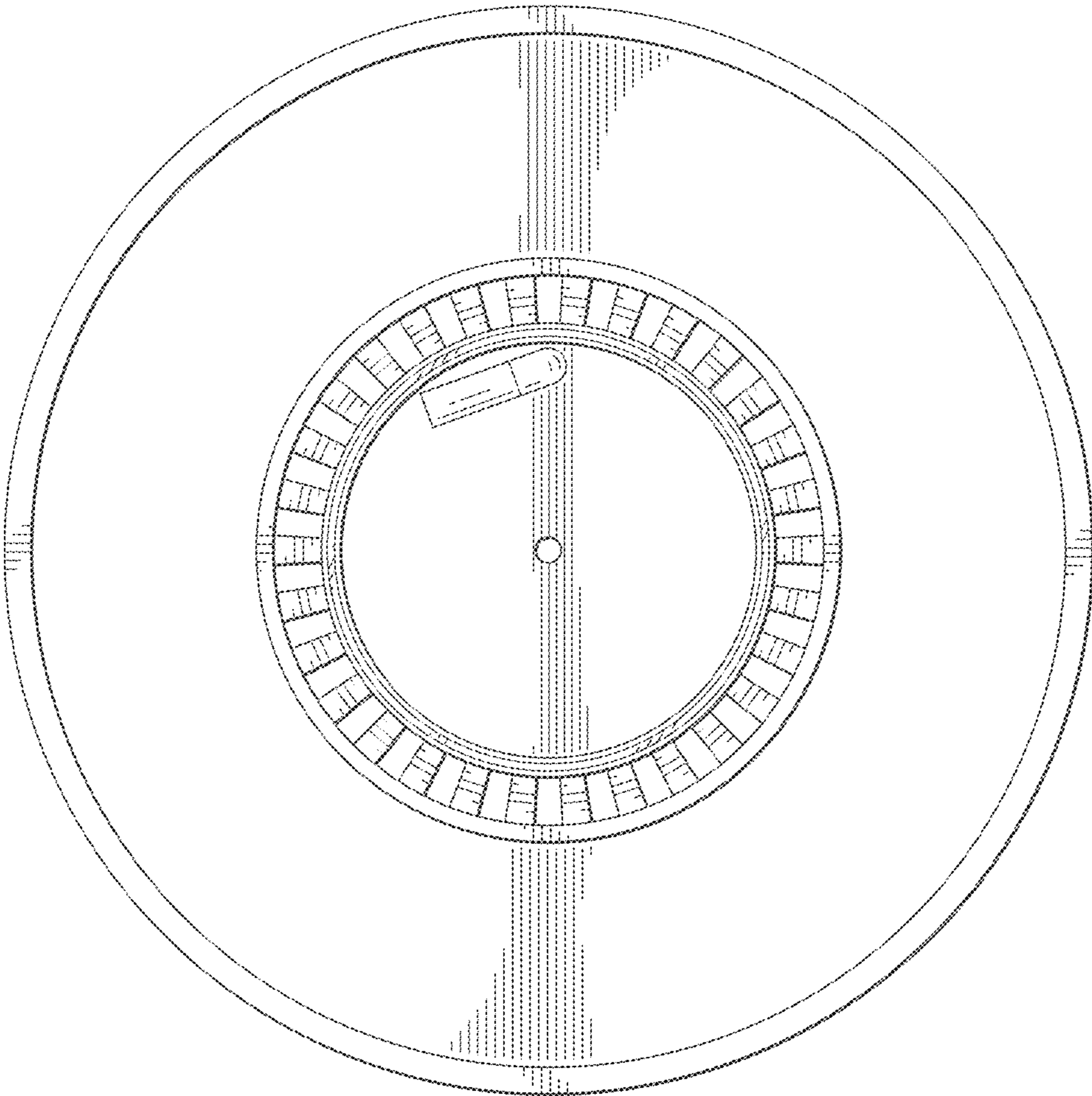


FIG. 15

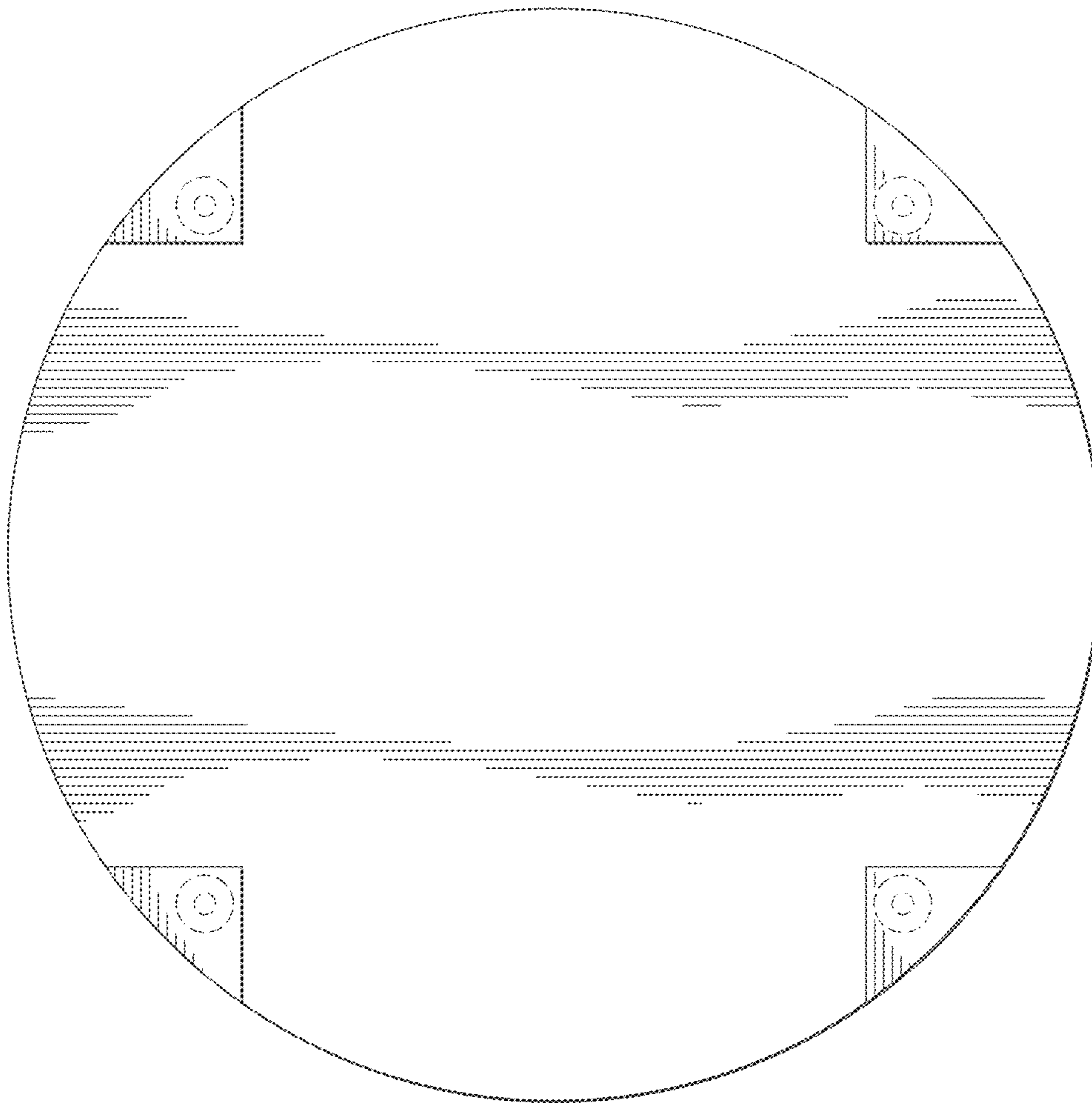


FIG. 16

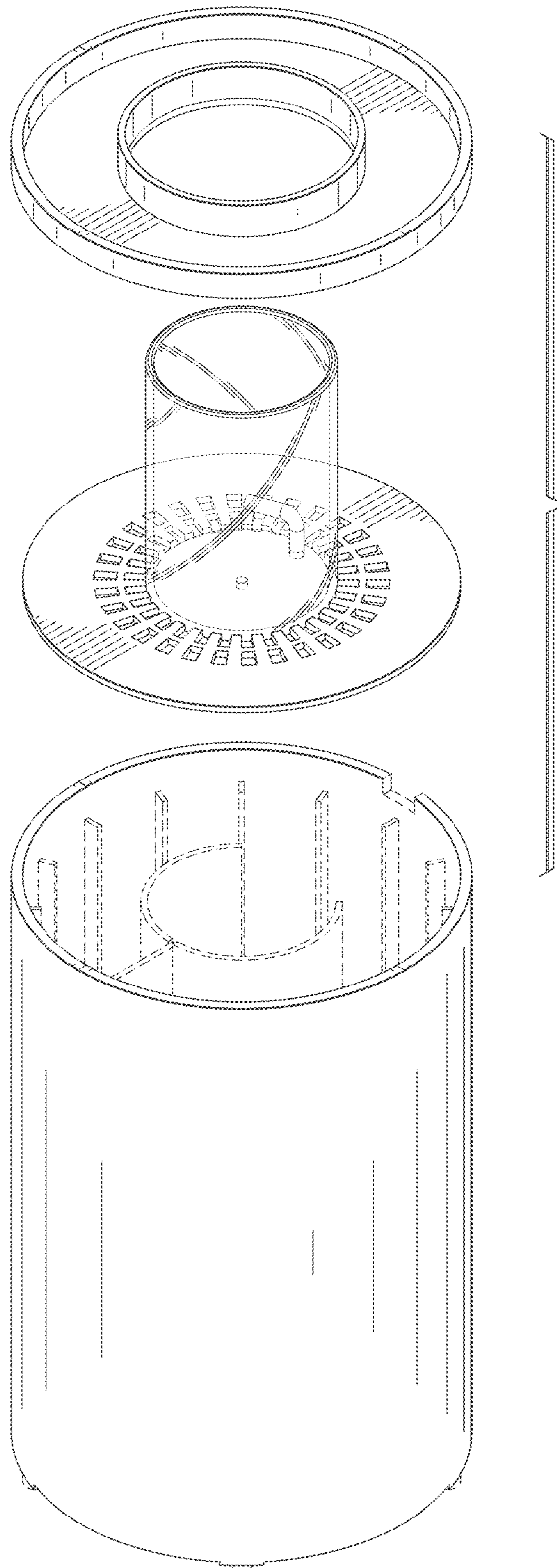


FIG. 17

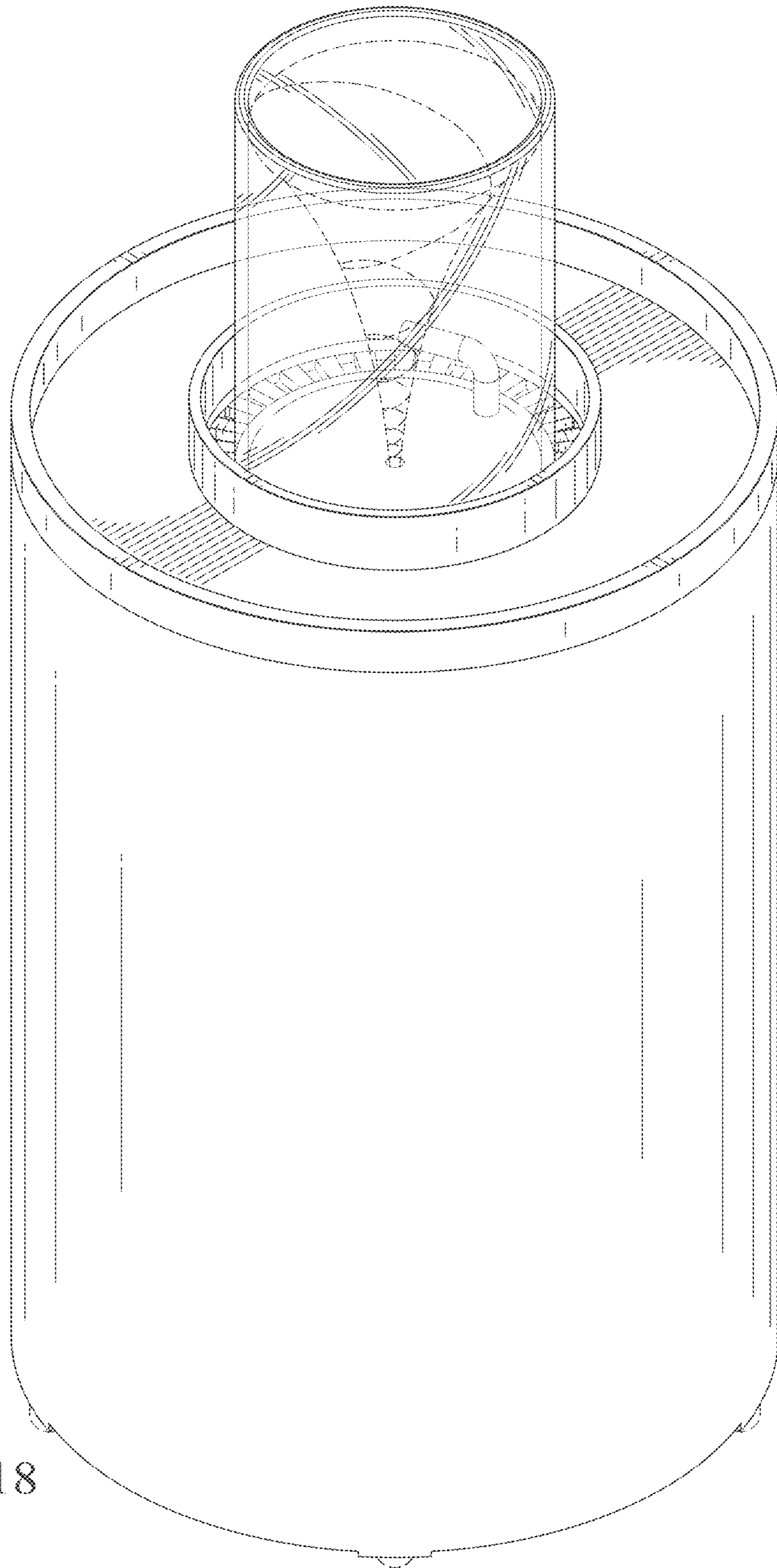


FIG. 18