



US00D928273S

(12) **United States Design Patent**  
**Luo**

(10) **Patent No.:** **US D928,273 S**

(45) **Date of Patent:** **\*\* Aug. 17, 2021**

(54) **ELECTRONIC COCKROACH KILLER**

(71) Applicant: **Chengxin Luo**, Shenzhen (CN)

(72) Inventor: **Chengxin Luo**, Shenzhen (CN)

(\*\*) Term: **15 Years**

(21) Appl. No.: **29/766,805**

(22) Filed: **Jan. 19, 2021**

(51) **LOC (13) Cl.** ..... **22-06**

(52) **U.S. Cl.**  
USPC ..... **D22/123**

(58) **Field of Classification Search**  
USPC ..... D22/122-123; 43/58, 98, 107, 110-112,  
43/121, 144  
CPC ..... A01M 1/02; A01M 1/04; A01M 1/22;  
A01M 1/2005; A01M 1/223; A01M  
2200/012; H05C 1/04  
See application file for complete search history.

(56) **References Cited**

**U.S. PATENT DOCUMENTS**

- 6,009,662 A \* 1/2000 Chang ..... A01M 1/02  
43/112
- 6,594,945 B1 \* 7/2003 Fu ..... A01M 1/02  
43/112
- D690,789 S 10/2013 Wauson

- D867,516 S \* 11/2019 Ko ..... D22/122
- D890,289 S 7/2020 Luo
- D898,158 S 10/2020 Wang
- D907,167 S \* 1/2021 Luo ..... D22/123
- 2012/0117854 A1 \* 5/2012 King ..... A01M 1/223  
43/112

\* cited by examiner

*Primary Examiner* — Catherine R Oliver-Garcia

(57) **CLAIM**

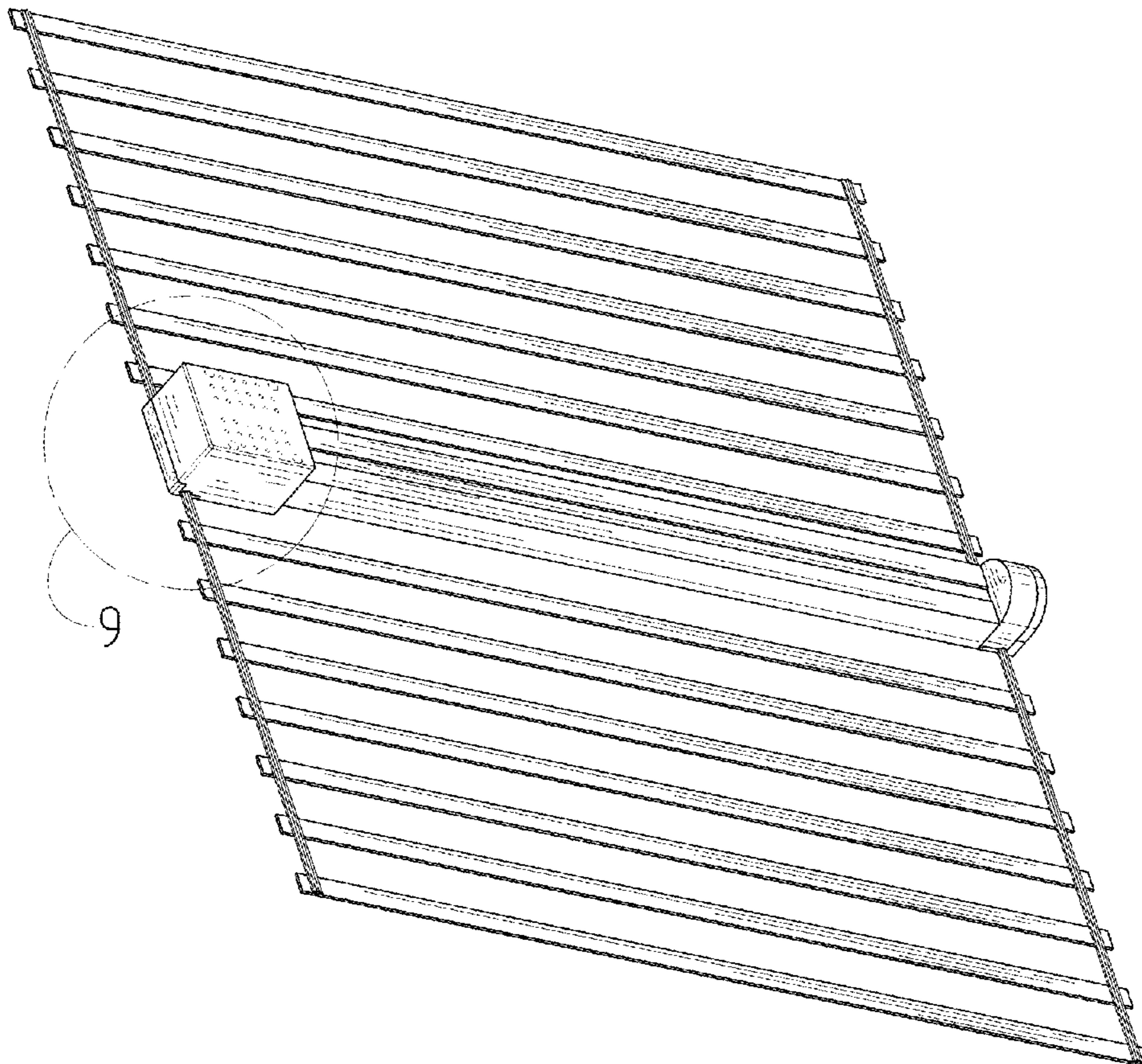
The ornamental design for a electronic cockroach killer, as shown and described.

**DESCRIPTION**

FIG. 1 is a first perspective view of a electronic cockroach killer showing my new design;  
 FIG. 2 is a second perspective view thereof;  
 FIG. 3 is a front view thereof;  
 FIG. 4 is a back view thereof;  
 FIG. 5 is a left side view thereof;  
 FIG. 6 is a right side view thereof;  
 FIG. 7 is a top view thereof;  
 FIG. 8 is a bottom view thereof;  
 FIG. 9 is an enlarged view of the selected portion in FIG. 1;  
 and,  
 FIG. 10 is an enlarged view of the selected portion in FIG. 2.

The broken lines shown in the drawings depict portions of the electronic cockroach killer in which the design is embodied that form no part of the claimed design.

**1 Claim, 10 Drawing Sheets**



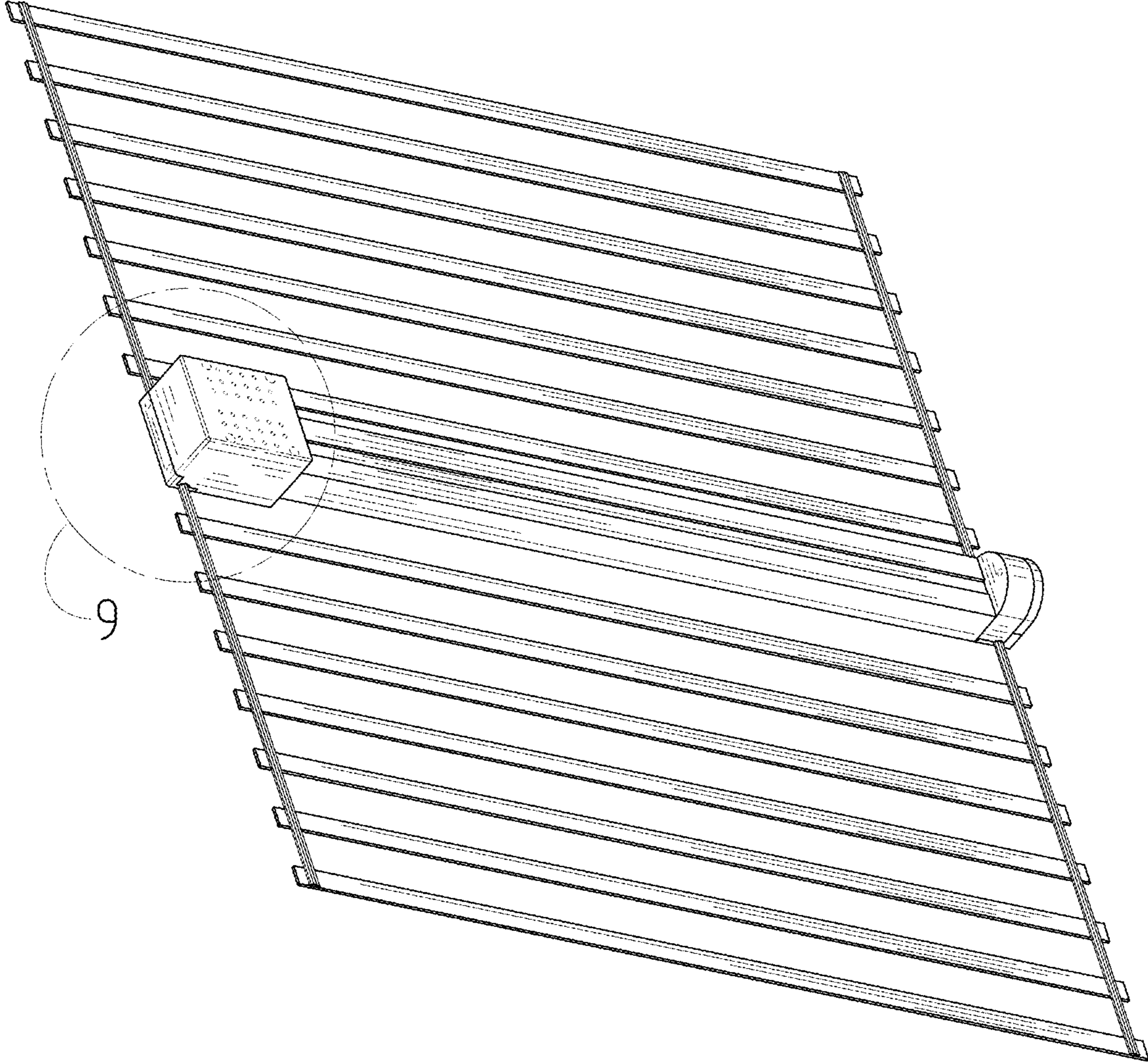


FIG. 1



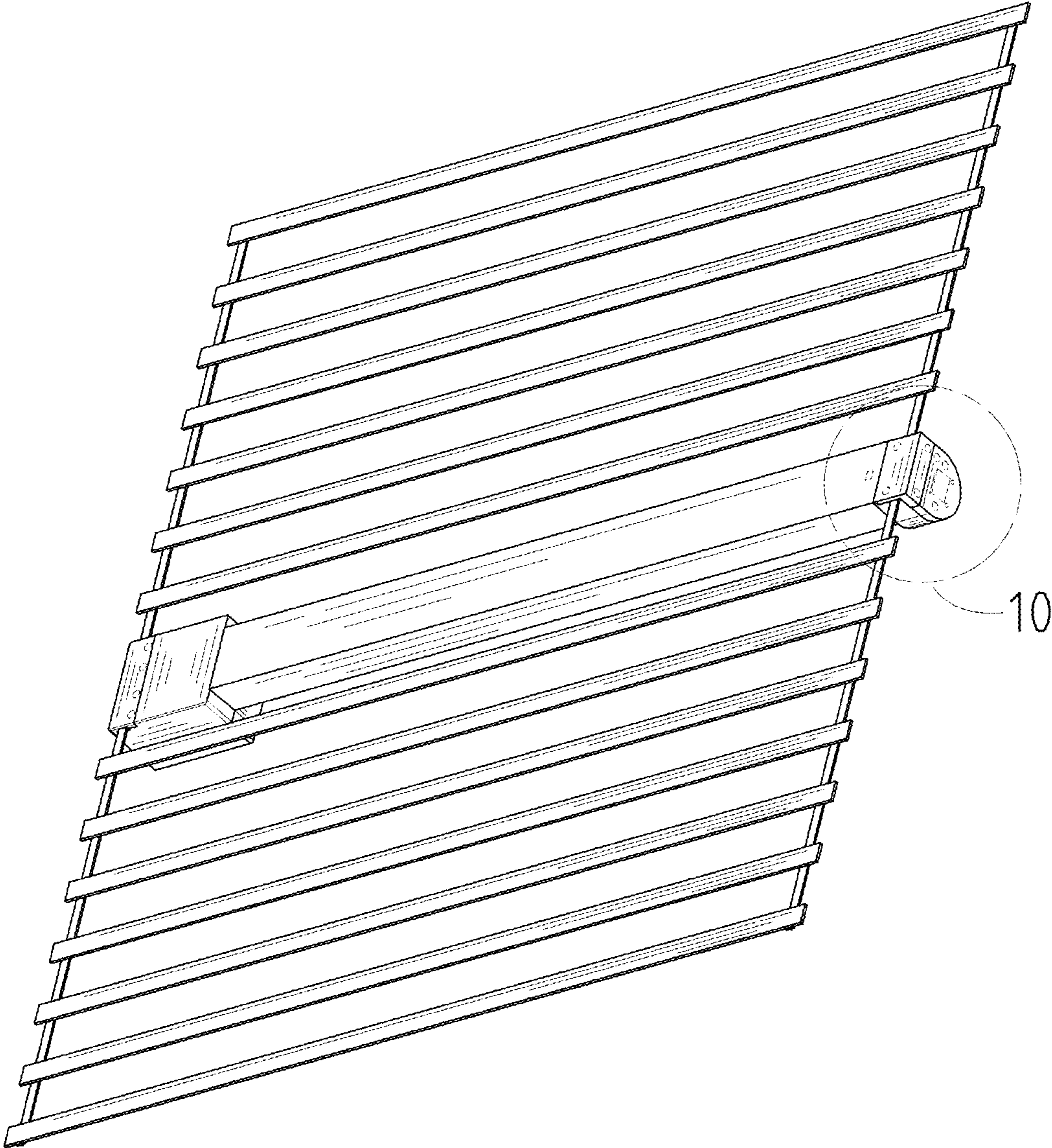


FIG. 2

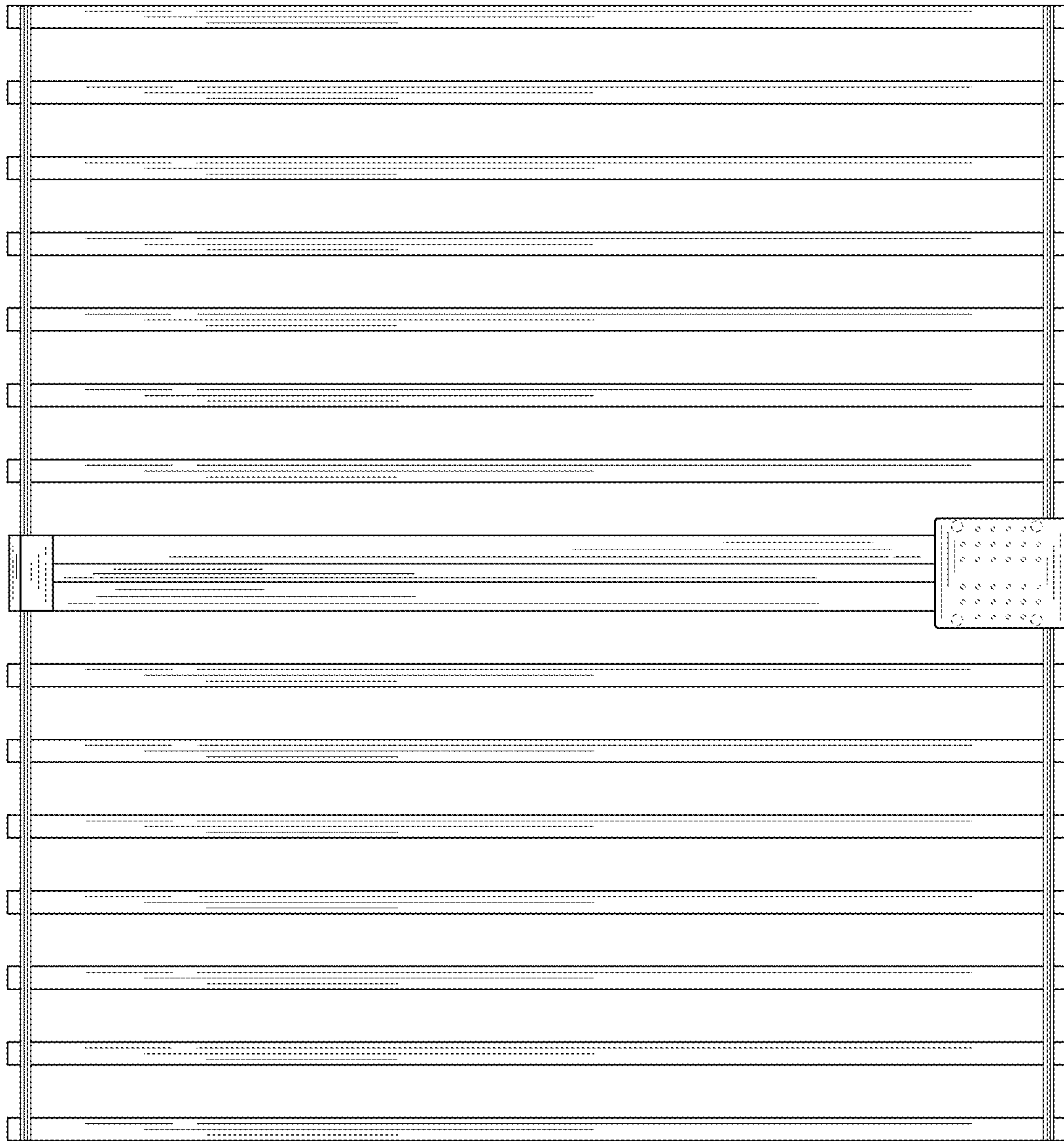


FIG. 3

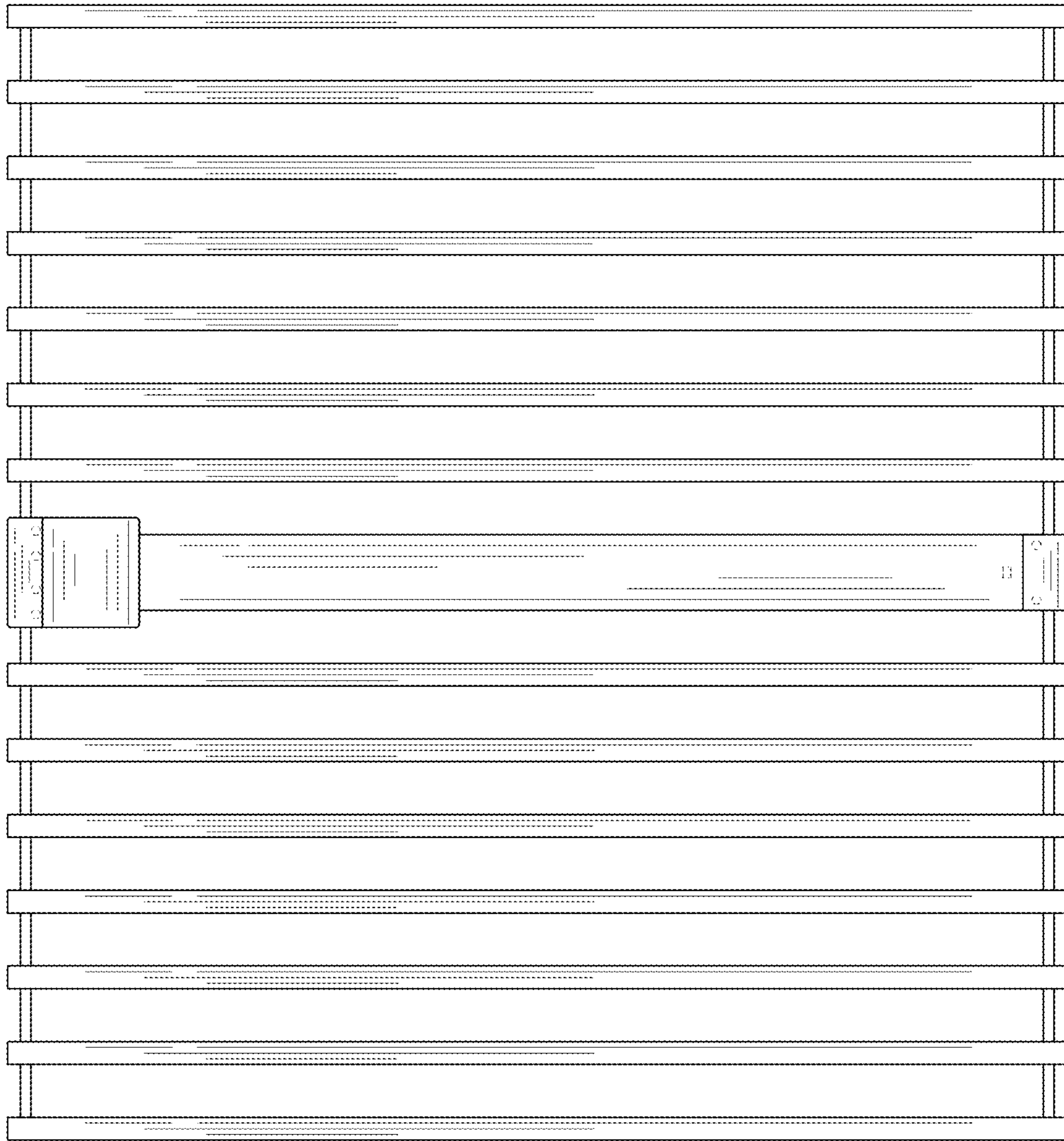


FIG. 4

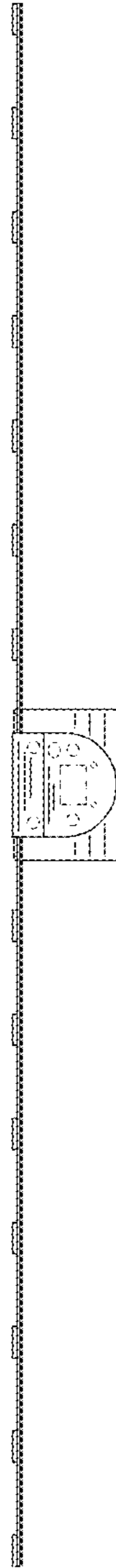


FIG. 5



FIG. 6

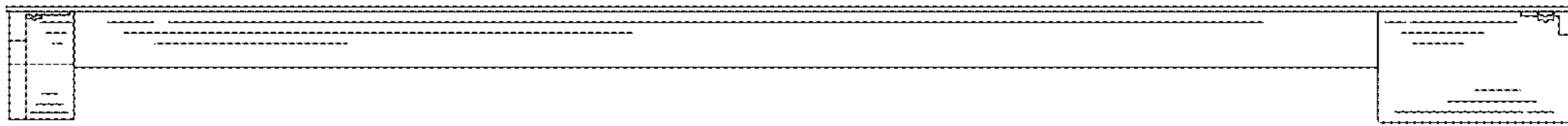


FIG. 7





FIG. 8

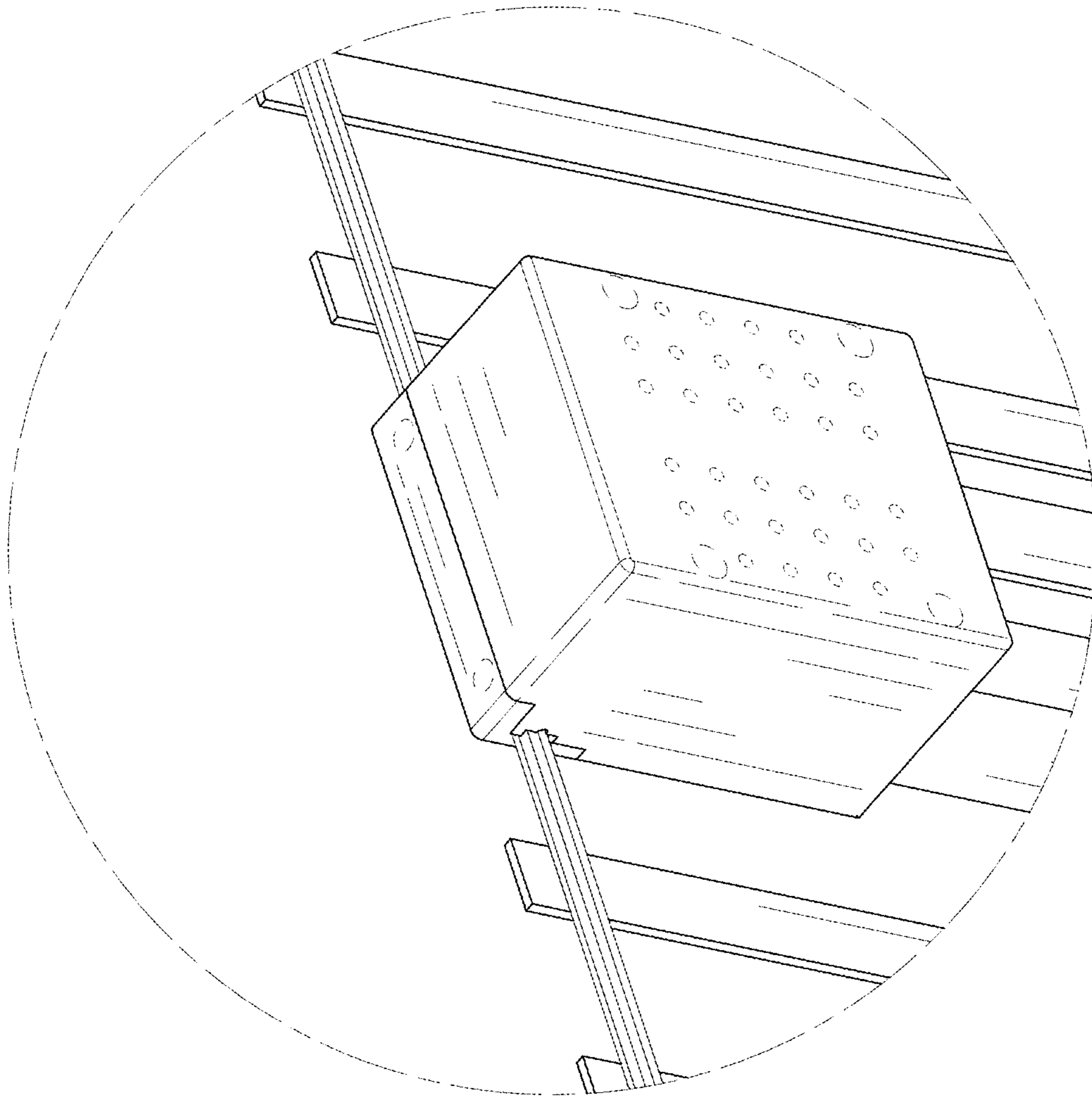


FIG. 9

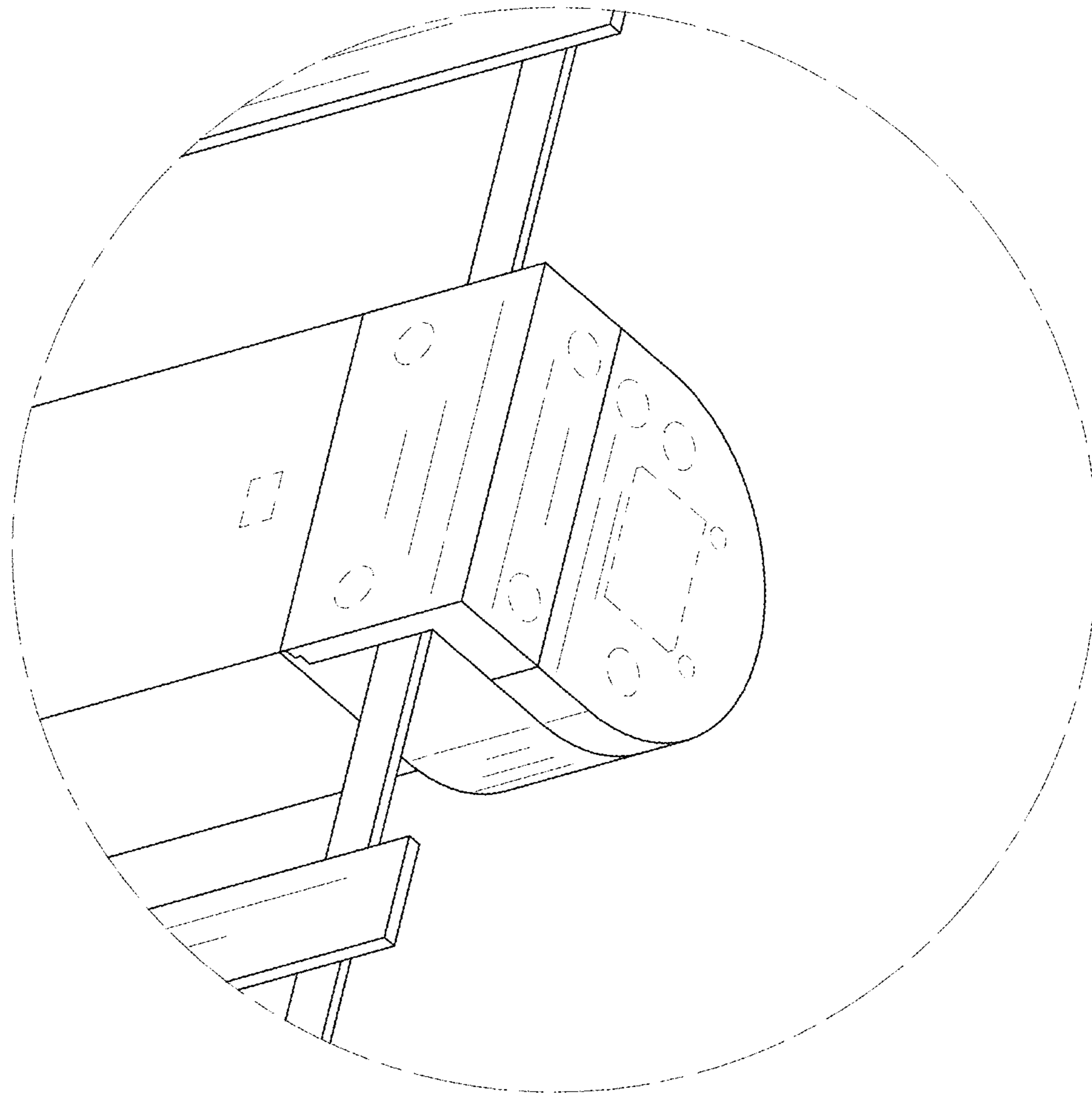


FIG. 10