



US00D928272S

(12) **United States Design Patent** (10) **Patent No.:** **US D928,272 S**  
**Lesniak** (45) **Date of Patent:** **\*\* Aug. 17, 2021**

- (54) **FLYING INSECT TRAP** 4,873,787 A \* 10/1989 Schneidmiller ..... A01M 1/02  
43/122
- (71) Applicant: **Enterprises of CC, Inc., Media, PA** 4,899,485 A 2/1990 Schneidmiller  
(US) 5,392,558 A 2/1995 Blomquist
- (72) Inventor: **Frank M. Lesniak, Media, PA (US)** 6,360,477 B1 3/2002 Flashinski  
D470,758 S 2/2003 Bakersmith
- (73) Assignee: **Enterprises of CC, Inc., Media, PA** D563,797 S 3/2008 McMorris  
(US) D724,954 S 3/2015 Niggemyer  
D812,710 S 3/2018 Lesniak  
D832,972 S 11/2018 Lesniak
- (\*\*) Term: **15 Years** 2004/0231229 A1 11/2004 Lenker  
2006/0042154 A1 3/2006 Rich  
2014/0259877 A1\* 9/2014 Singleton ..... A01M 1/106  
43/107
- (21) Appl. No.: **29/772,970**
- (22) Filed: **Mar. 5, 2021**

**Related U.S. Application Data**

- (62) Division of application No. 29/710,568, filed on Oct. 24, 2019, now Pat. No. Des. 916,227.
- (51) **LOC (13) Cl.** ..... **22-06**
- (52) **U.S. Cl.**  
USPC ..... **D22/122**
- (58) **Field of Classification Search**  
USPC ..... D22/122; 43/107, 122, 131; 223/86;  
D9/708  
CPC ..... A01M 1/04; A01M 1/10; A01M 1/026;  
A01M 1/223; A01M 17/002; A01M  
31/002; A01M 2200/012; A01M 29/16;  
A61L 9/12; A01K 1/04; A01K 27/00;  
A01K 27/0003; A01K 97/05; G08B 23/00  
See application file for complete search history.

**References Cited**

**U.S. PATENT DOCUMENTS**

- D206,592 S \* 1/1967 Randle ..... D22/122
- D256,833 S \* 9/1980 Seidenberger ..... D22/122
- D256,834 S \* 9/1980 Seidenberger ..... D22/122
- D258,517 S \* 3/1981 Seidenberger ..... D22/122
- 4,706,410 A 11/1987 Briese

**OTHER PUBLICATIONS**

Black Flag Disposable Fly Trap, <http://www.blackflag.com/products/outdoor-products/disposable-fly-trap.aspx>, accessed Oct. 24, 2019.  
(Continued)

*Primary Examiner* — Catherine R Oliver-Garcia  
(74) *Attorney, Agent, or Firm* — Rogowski Law LLC

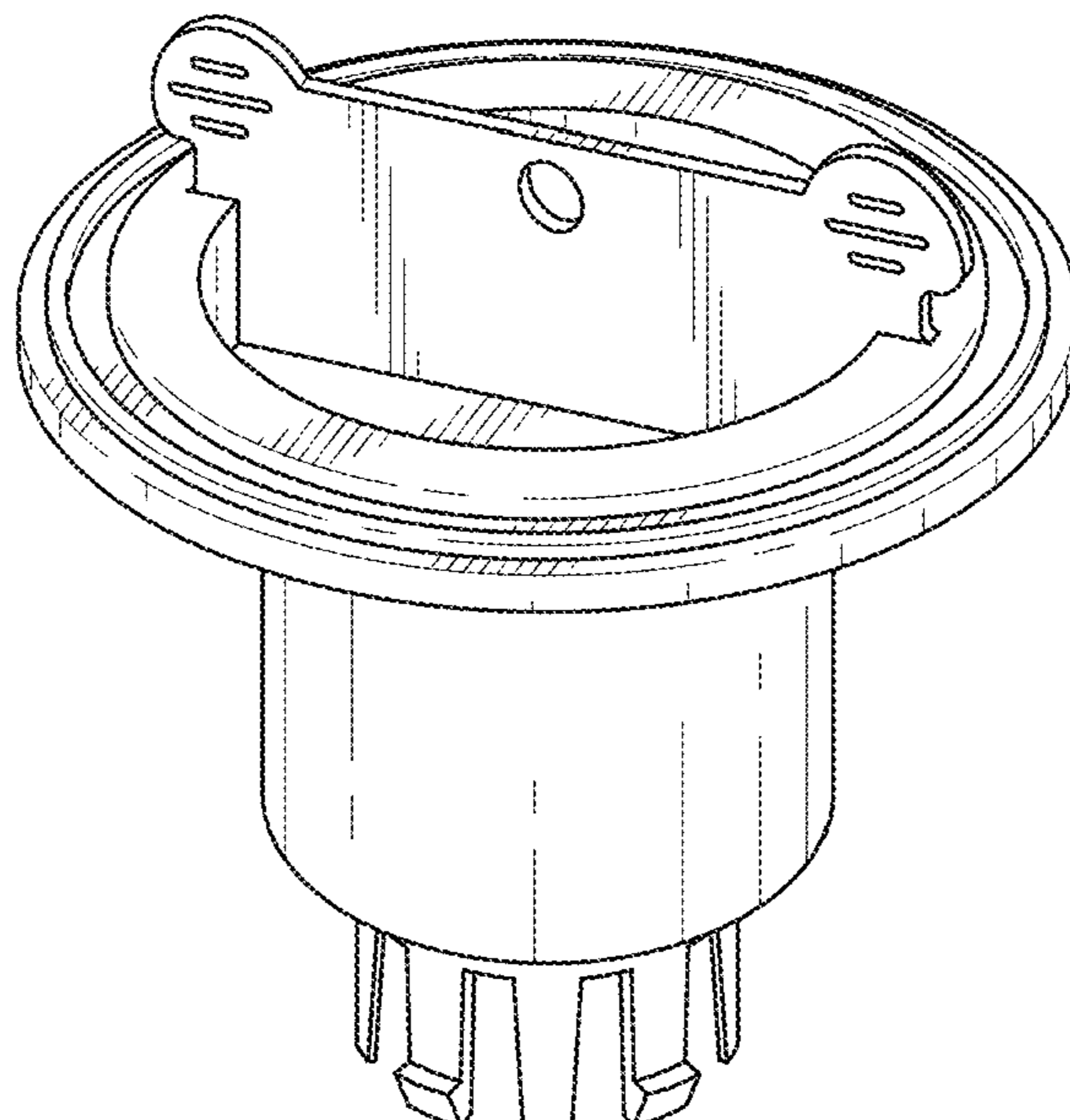
(57) **CLAIM**

The ornamental design for a flying insect trap, as shown and described.

**DESCRIPTION**

FIG. 1 is a right front perspective view of a flying insect trap; FIG. 2 is a front elevation view thereof; FIG. 3 is a rear elevation view thereof; FIG. 4 is a top plan view thereof; FIG. 5 is a bottom plan view thereof; FIG. 6 is a left side elevation view thereof; and, FIG. 7 is a right side elevation view thereof. The broken lines are included for the purpose of illustrating portions of the article and form no part of the claimed design.

**1 Claim, 2 Drawing Sheets**



(56)

**References Cited**

OTHER PUBLICATIONS

Rescue! Outdoor Disposable Hanging Fly Trap, 1 Trap, Earliest Review Jul. 30, 2011 . . . <https://www.walmart.com/ip/Rescue-Outdoor-Disposable-Hanging-Fly-Trap-1-Trap/17134651> (Year: 2011).

\* cited by examiner

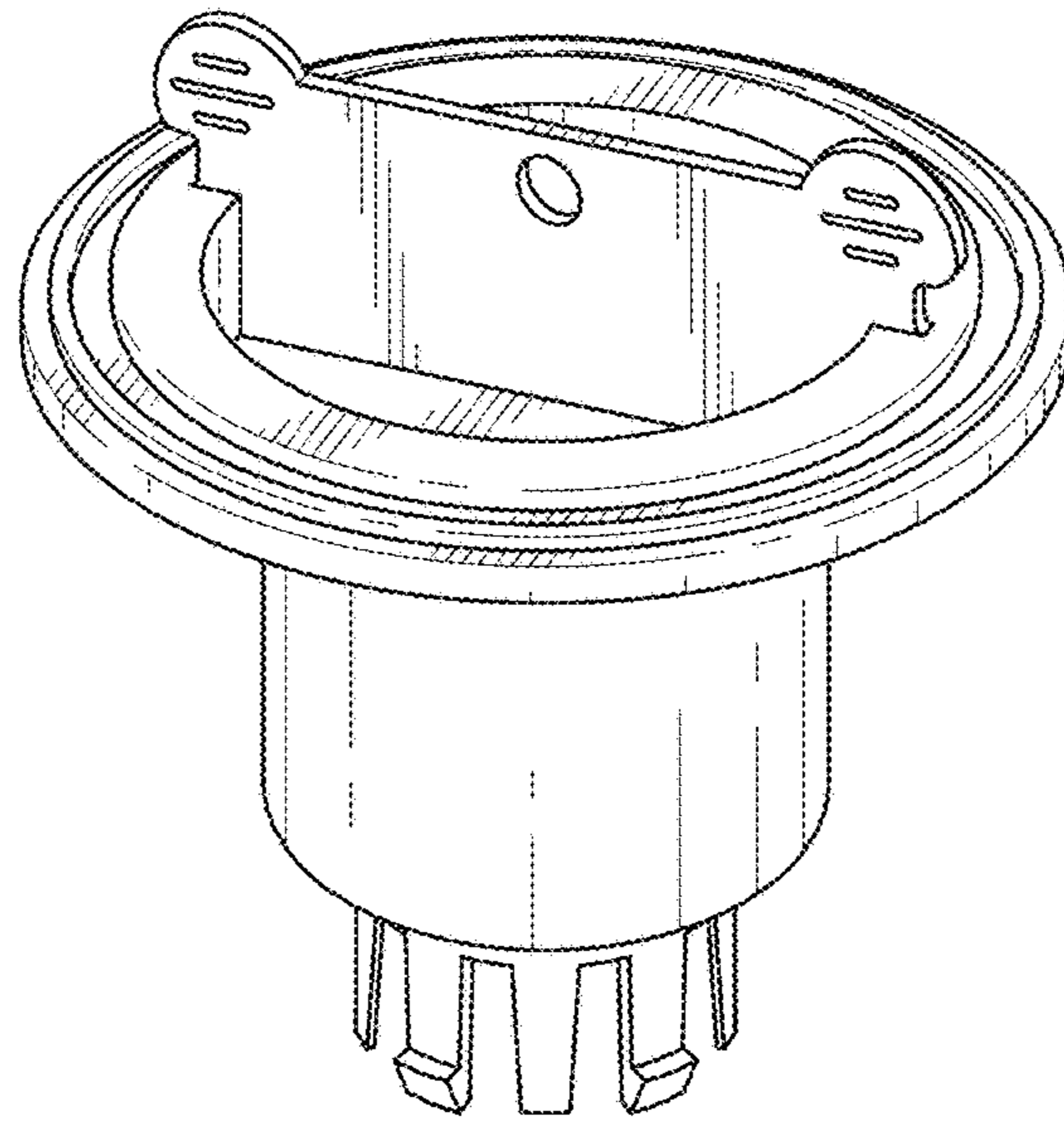


FIG. 1

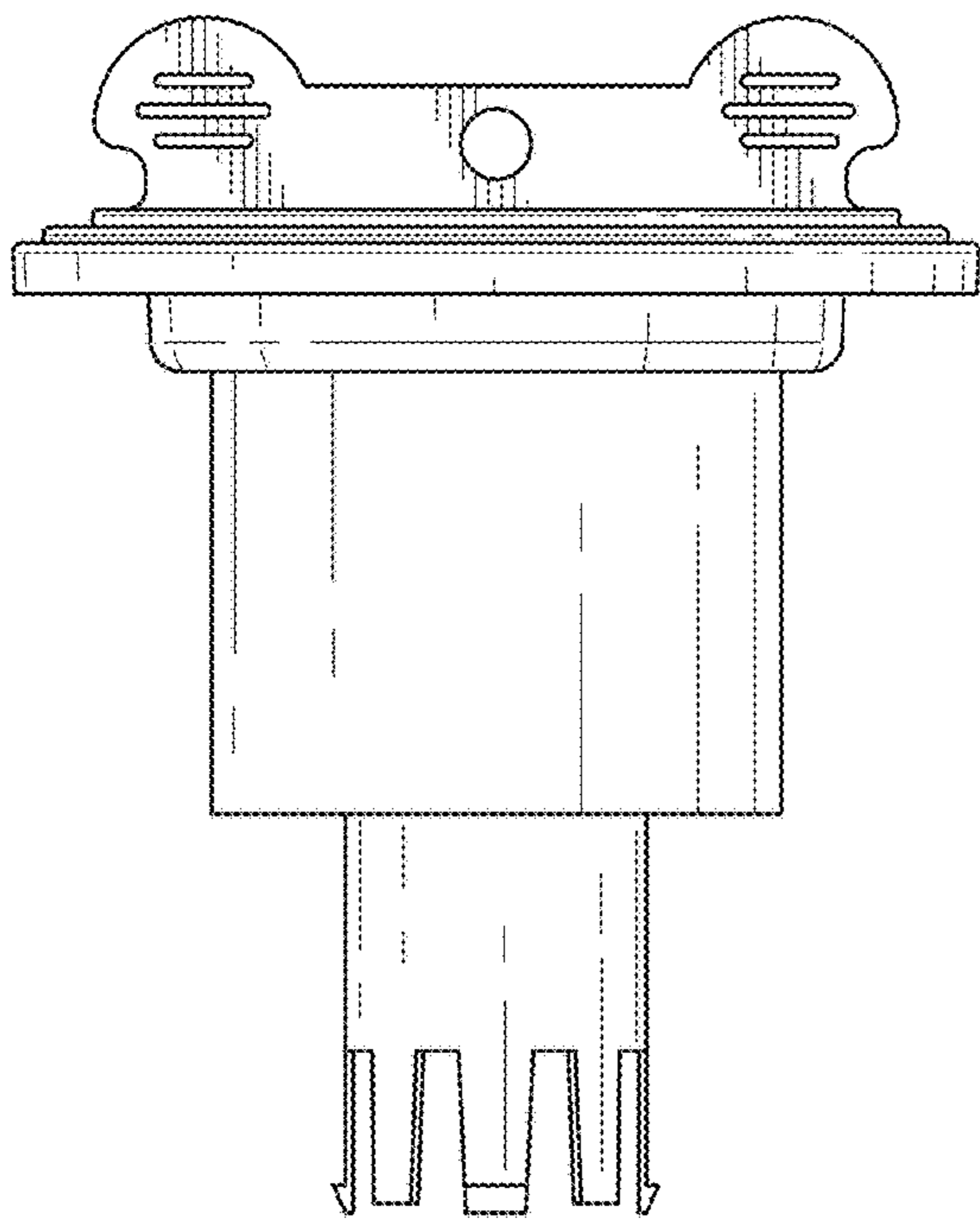


FIG. 2

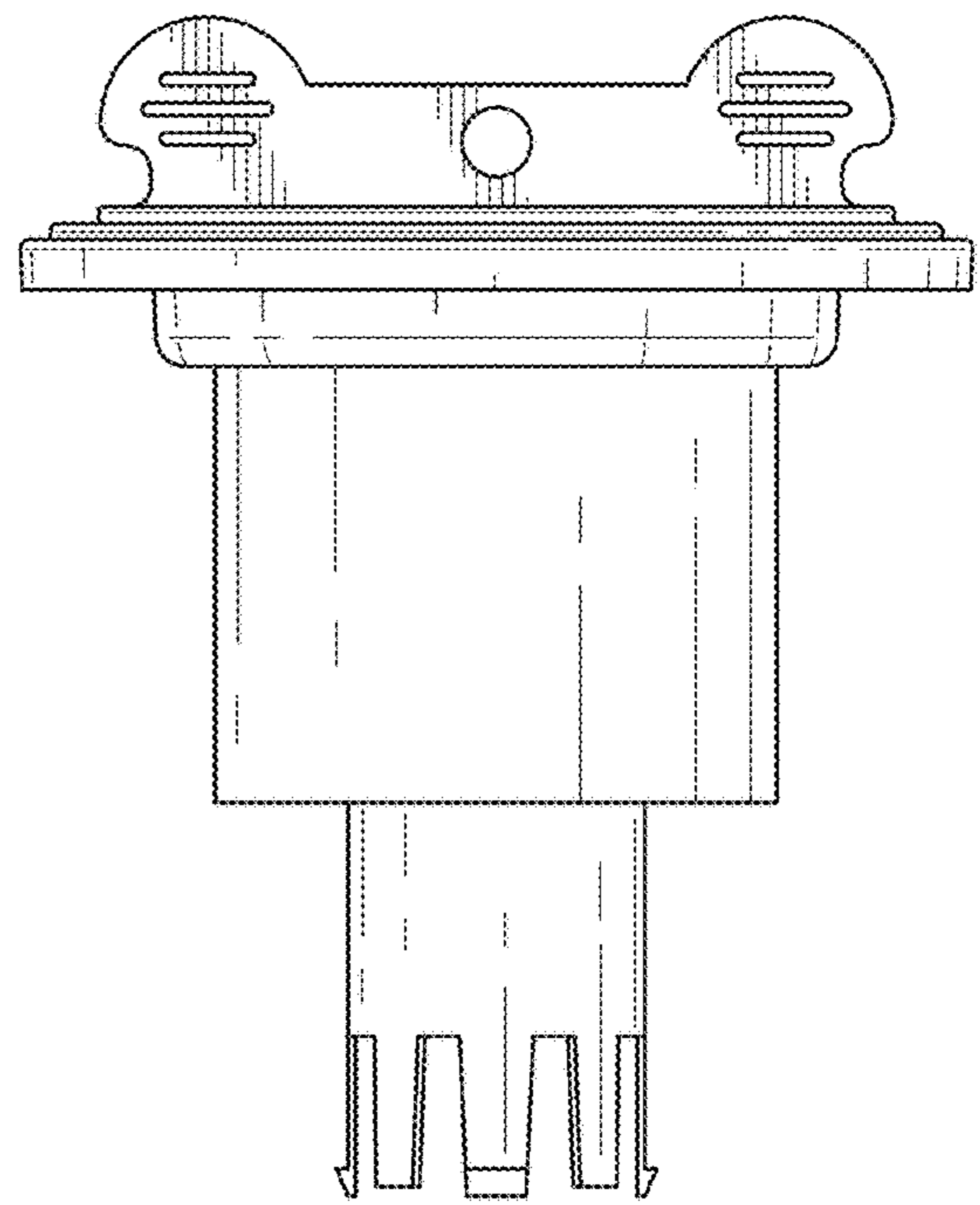


FIG. 3

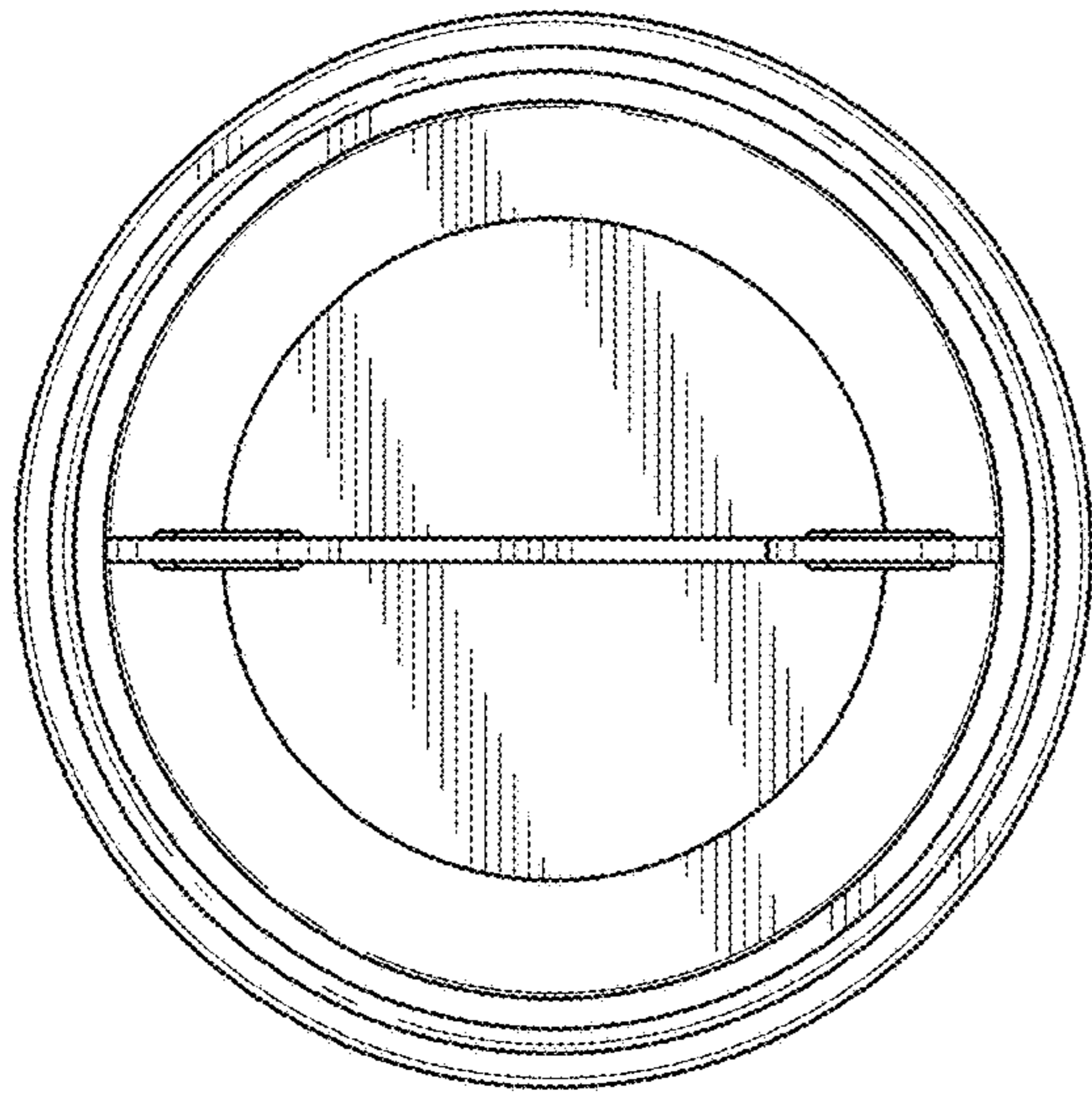


FIG. 4

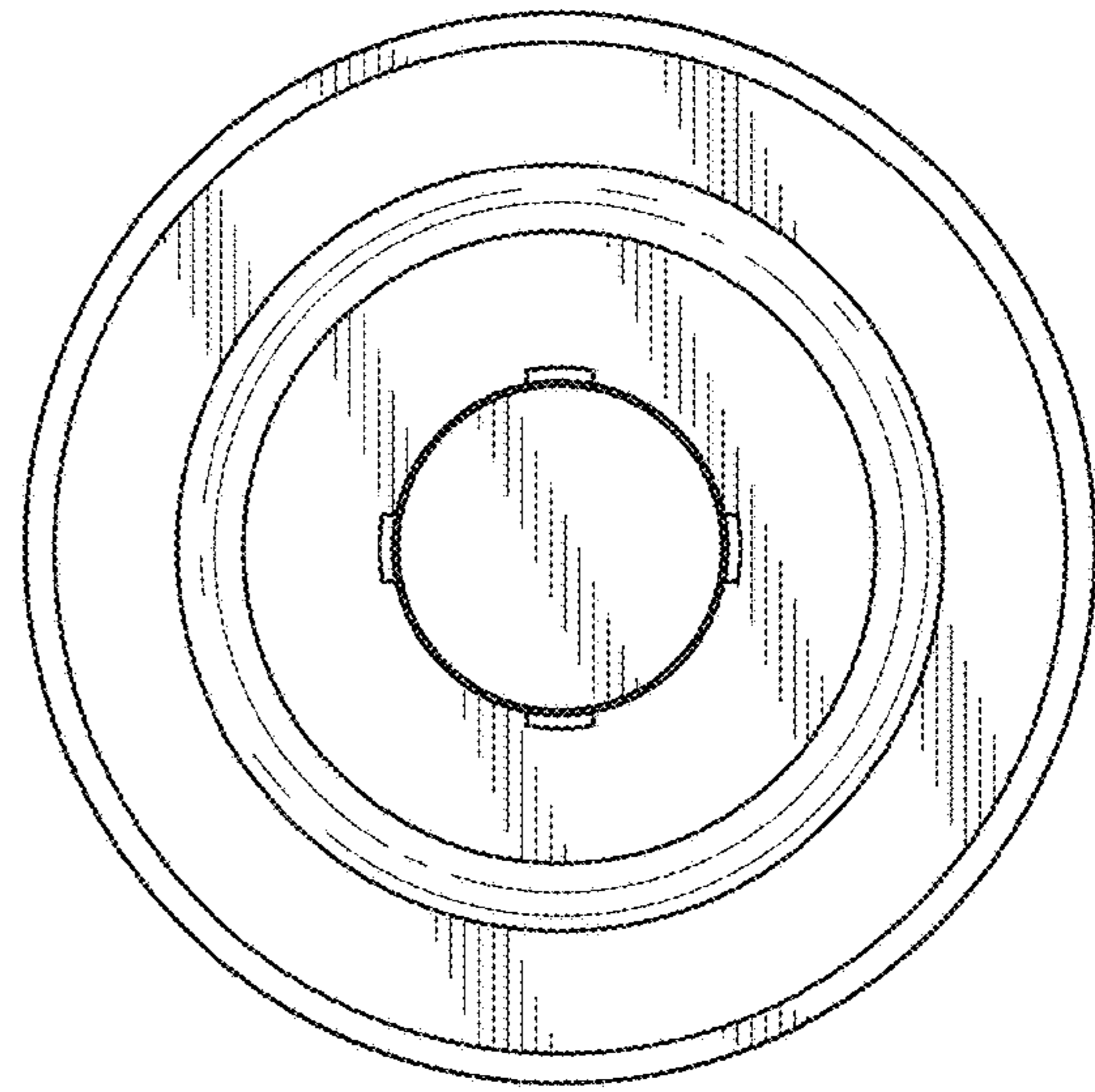


FIG. 5

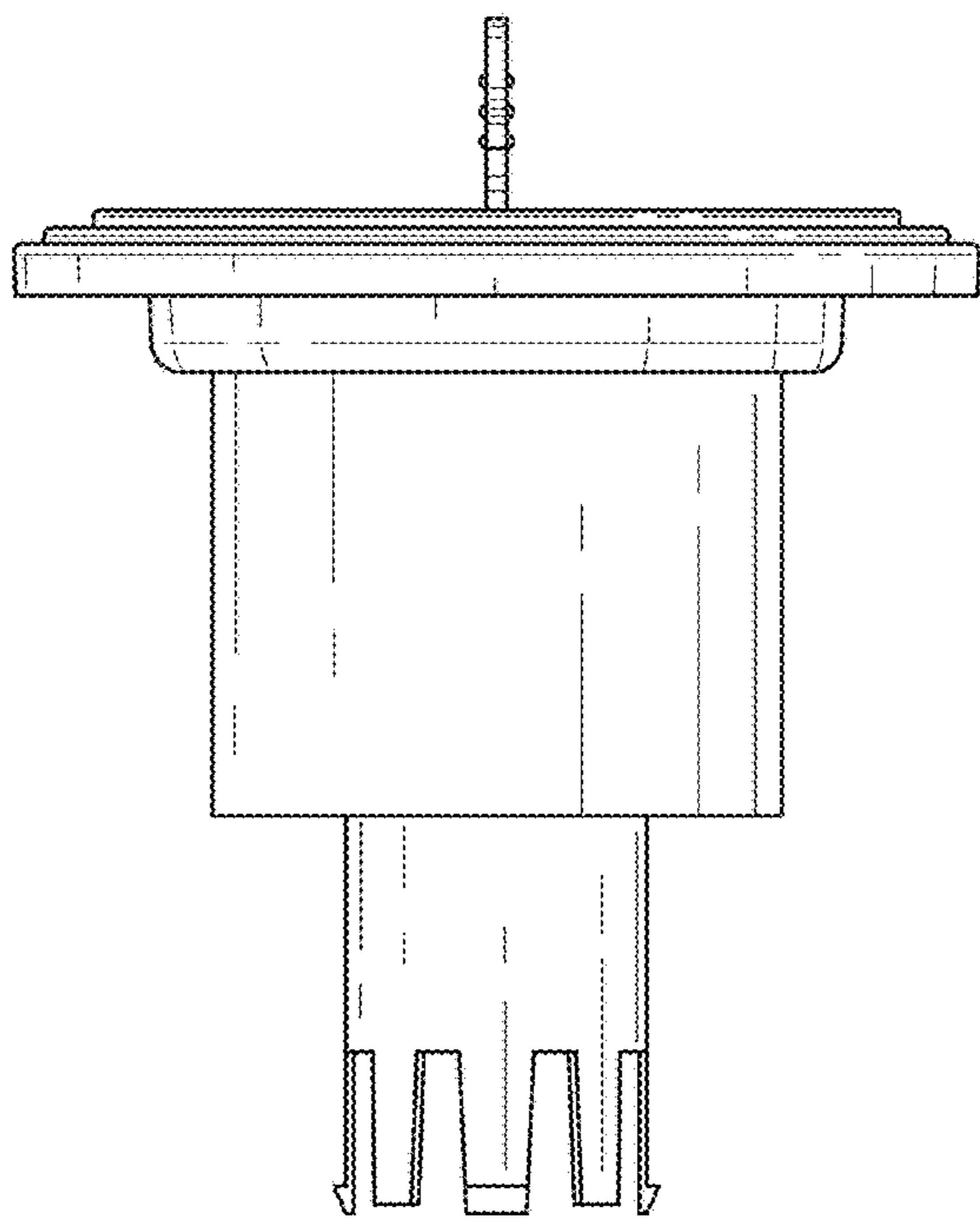


FIG. 6

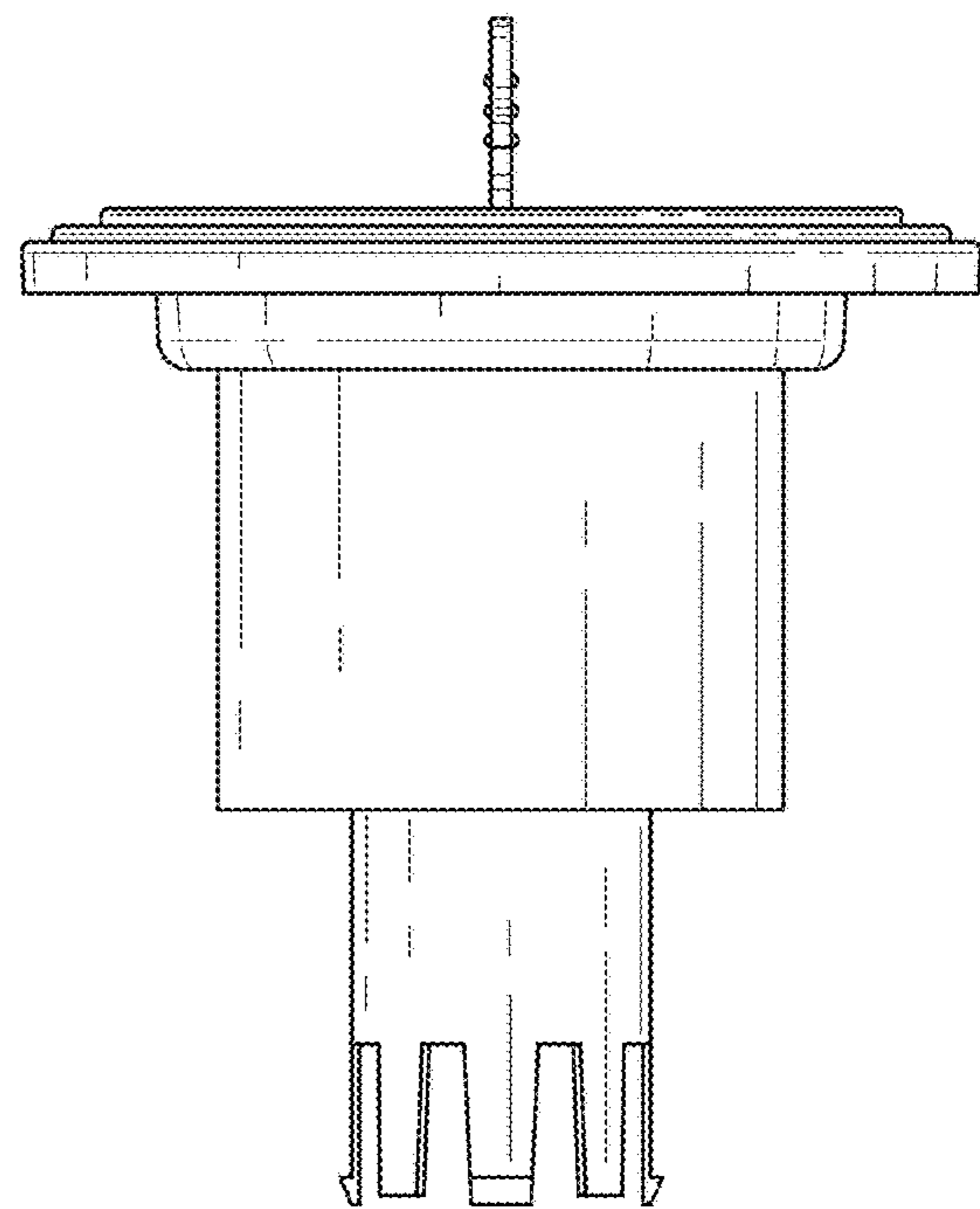


FIG. 7