



US00D928271S

(12) **United States Design Patent**  
**Davis, Jr.**

(10) **Patent No.:** **US D928,271 S**  
(45) **Date of Patent:** **\*\* Aug. 17, 2021**

(54) **BEE TRAP**

(71) Applicant: **Clifford Warren Davis, Jr.**, Prattville, AL (US)

(72) Inventor: **Clifford Warren Davis, Jr.**, Prattville, AL (US)

(73) Assignee: **Davis Product Creation and Consulting LLC**, Fairhope, AL (US)

(\*\*) Term: **15 Years**

(21) Appl. No.: **29/721,424**

(22) Filed: **Jan. 21, 2020**

(51) **LOC (13) Cl.** ..... **22-06**

(52) **U.S. Cl.**  
USPC ..... **D22/122**

(58) **Field of Classification Search**  
USPC ..... D22/122; 43/58, 107, 122, 128–129, 43/131, 132.1; 220/690  
CPC ..... A01M 1/023; A01M 1/026; A01M 1/106; A01M 1/223  
See application file for complete search history.

(56) **References Cited**

U.S. PATENT DOCUMENTS

- 3,803,753 A \* 4/1974 Feigin ..... A01M 1/2005 43/131
- D347,676 S \* 6/1994 Van Wallendael ..... D22/119
- 6,637,149 B1 \* 10/2003 Bauer ..... A01M 1/02 43/107
- 6,766,611 B2 \* 7/2004 Prince ..... A01M 1/04 220/6
- D672,426 S \* 12/2012 Davis, Jr. .... D22/122

(Continued)

*Primary Examiner* — Catherine R Oliver-Garcia

(74) *Attorney, Agent, or Firm* — Jeremy A Smith; Lanier Ford Shaver & Payne, PC

(57) **CLAIM**

The ornamental design for a bee trap, as shown and described.

**DESCRIPTION**

FIG. 1 shows a front perspective view of one embodiment of the trap.

FIG. 2 shows a rear perspective view of the embodiment of the trap shown in FIG. 1.

FIG. 3 shows a front view of the embodiment of the trap shown in FIG. 1.

FIG. 4 shows a rear view of the embodiment of the trap shown in FIG. 1.

FIG. 5 shows a side view of the embodiment of the trap shown in FIG. 1.

FIG. 6 shows an alternate side view of the trap shown in FIG. 1.

FIG. 7 shows a top view of the embodiment of the trap shown in FIG. 1.

FIG. 8 shows a bottom view of the embodiment of the trap shown in FIG. 1.

FIG. 9 shows a front perspective view of an alternate embodiment of the trap.

FIG. 10 shows a rear perspective view of the embodiment of the trap shown in FIG. 9.

FIG. 11 shows a front view of the embodiment of the trap shown in FIG. 9.

FIG. 12 shows a rear view of the embodiment of the trap shown in FIG. 9.

FIG. 13 shows a side view of the embodiment of the trap shown in FIG. 9.

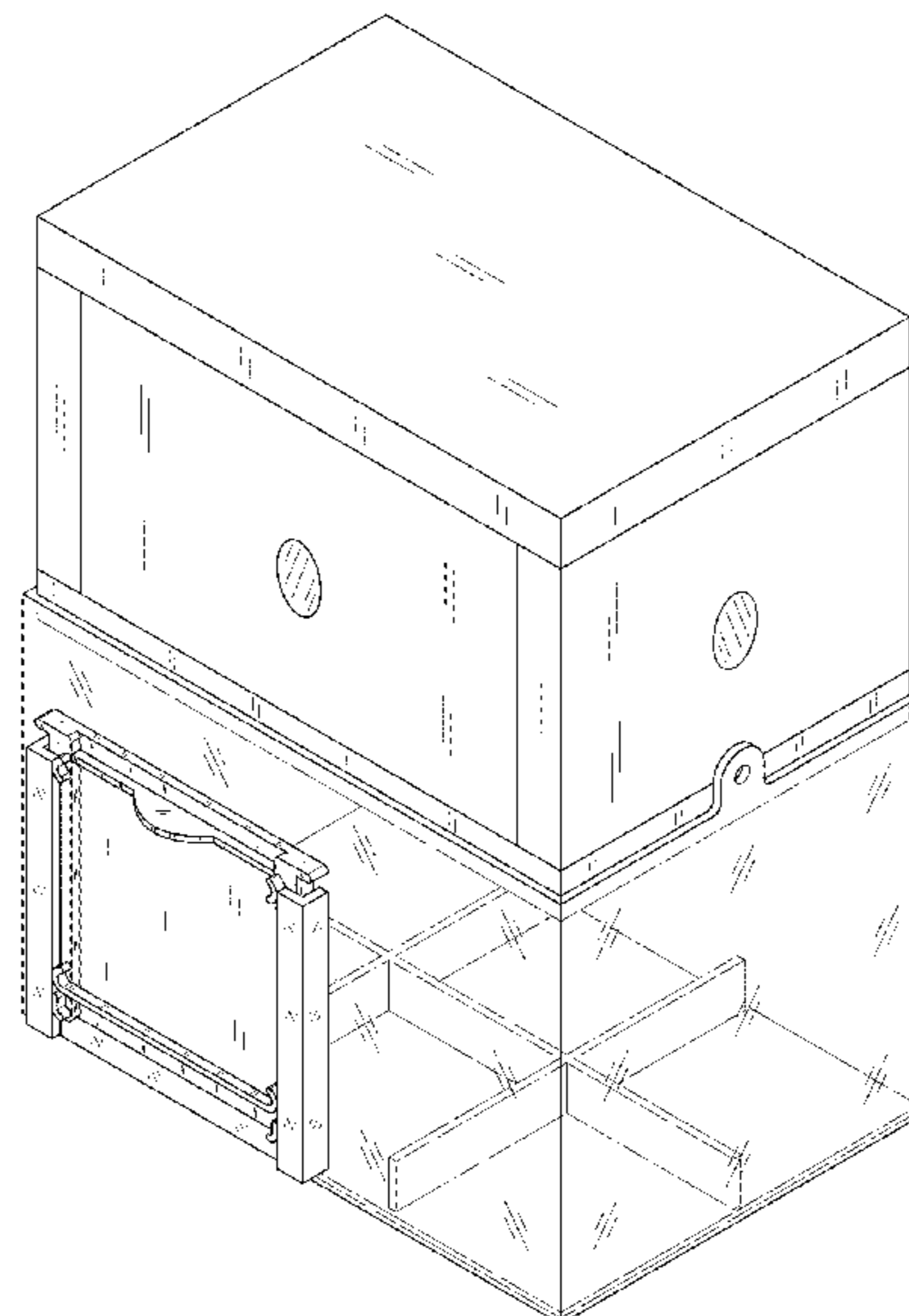
FIG. 14 shows an alternate side view of the trap shown in FIG. 9.

FIG. 15 shows a top view of the embodiment of the trap shown in FIG. 9; and,

FIG. 16 shows a bottom view of the embodiment of the trap shown in FIG. 1.

The dashed lines shown in the drawings illustrate environmental structure and form no part of the claimed design.

**1 Claim, 14 Drawing Sheets**



(56)

**References Cited**

U.S. PATENT DOCUMENTS

D690,384 S \* 9/2013 Davis, Jr. .... D22/122  
D854,116 S \* 7/2019 Baker ..... D22/122  
2004/0040198 A1\* 3/2004 Harris ..... A01M 1/106  
43/107  
2007/0006519 A1\* 1/2007 Gunderman, Jr. .... A01M 1/223  
43/112  
2015/0237844 A1\* 8/2015 Ribiere-Tharaud ..... A01M 1/04  
43/107  
2019/0166820 A1\* 6/2019 Ryan ..... A01M 1/106

\* cited by examiner

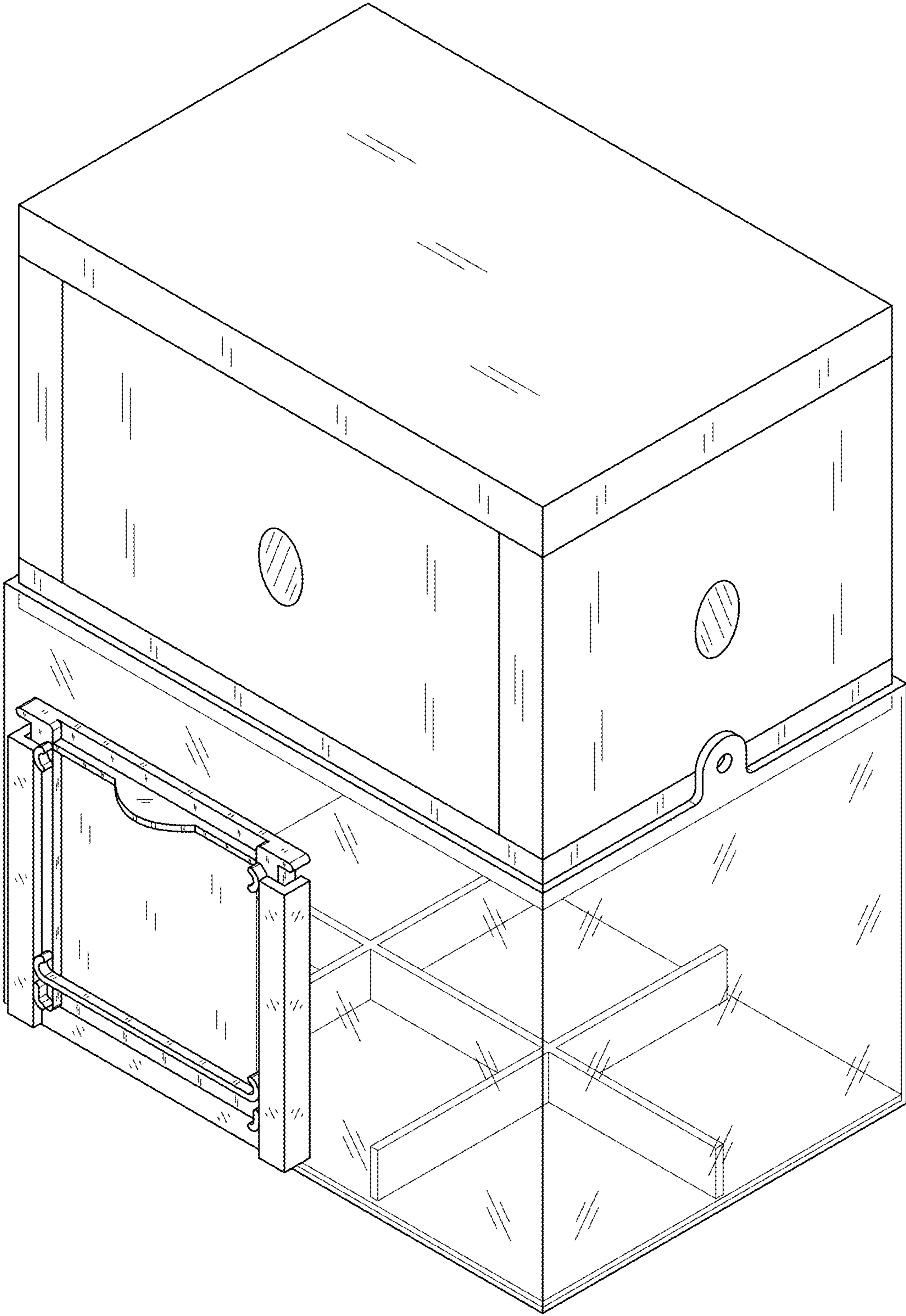


FIG. 1

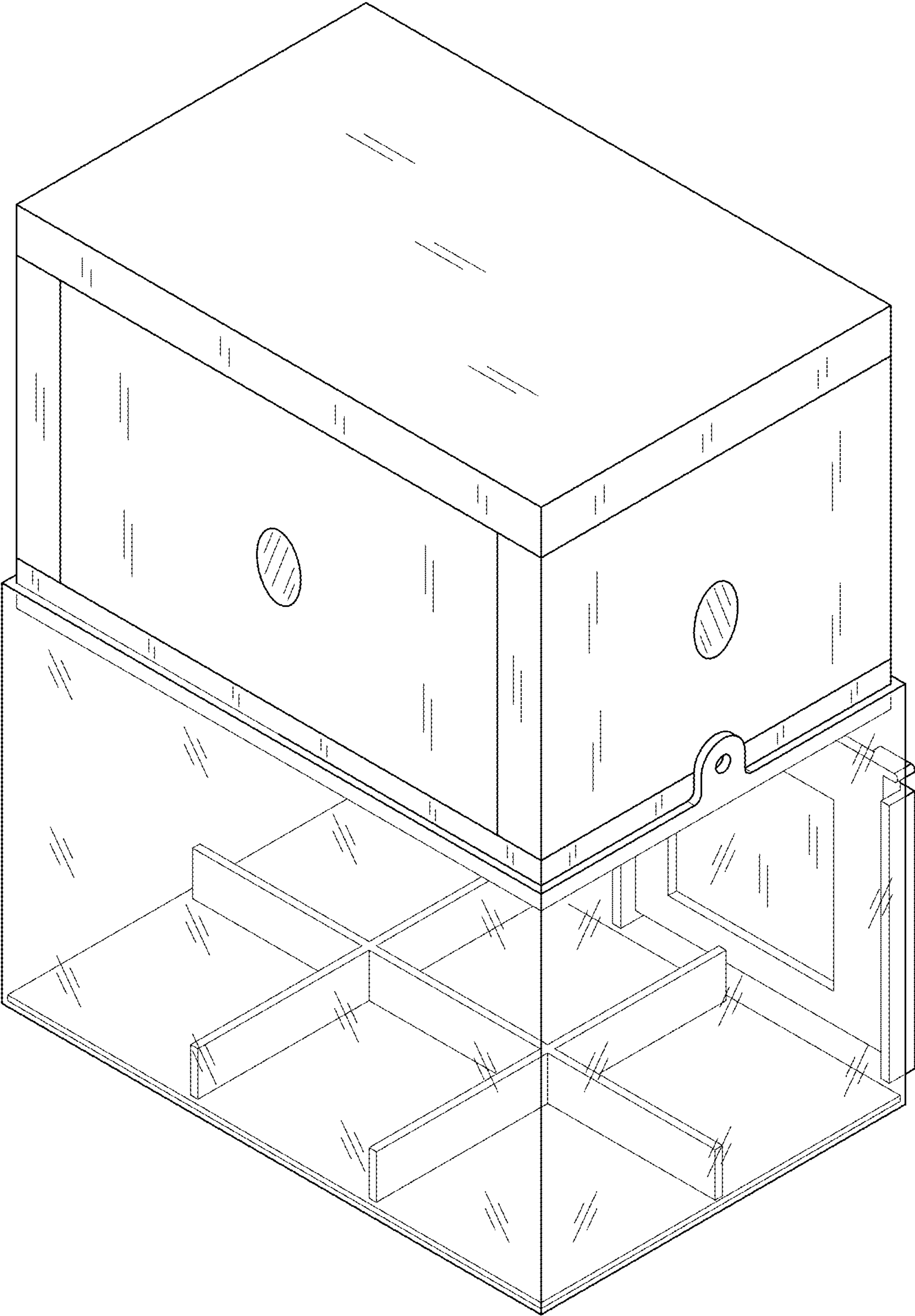


FIG. 2



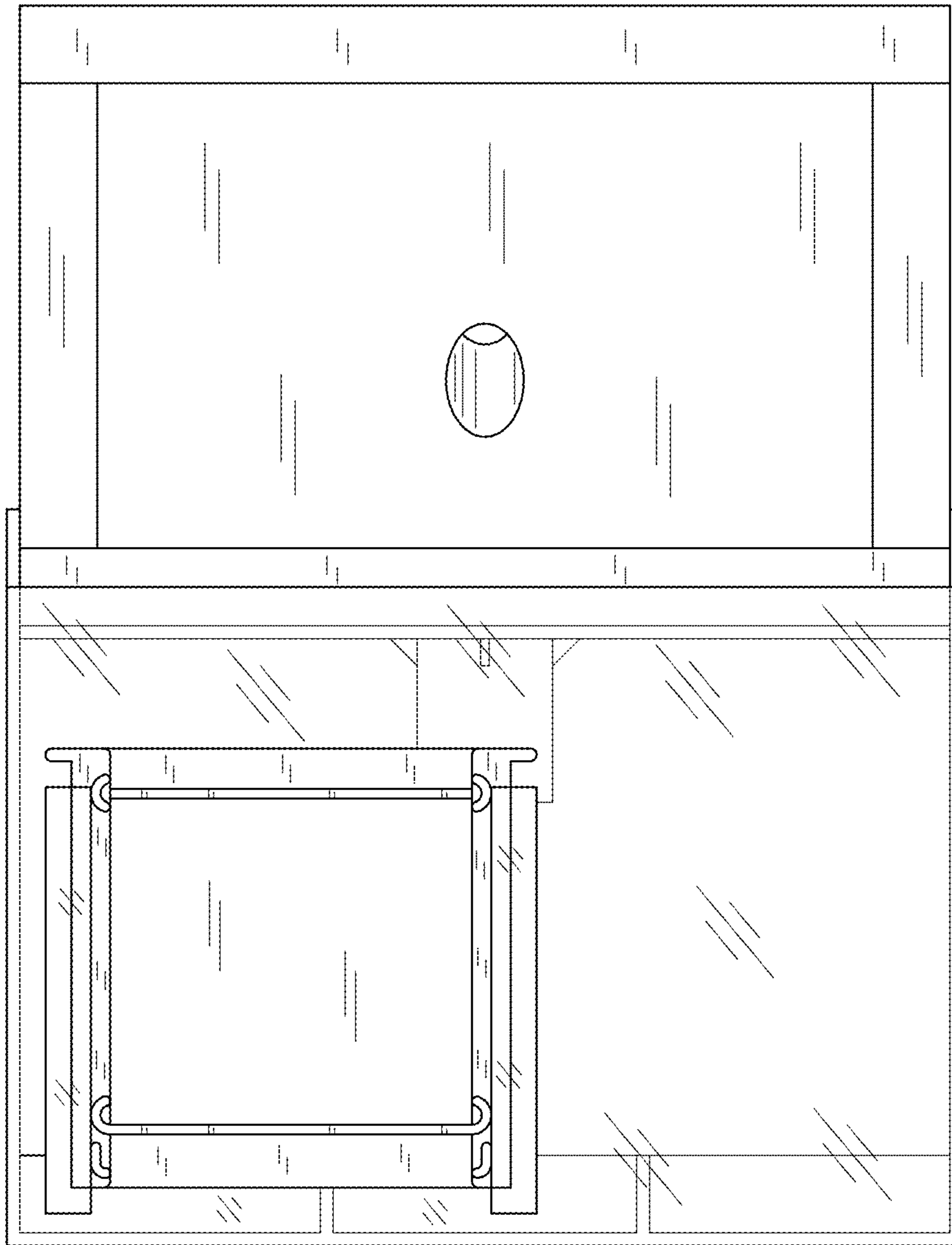


FIG. 3

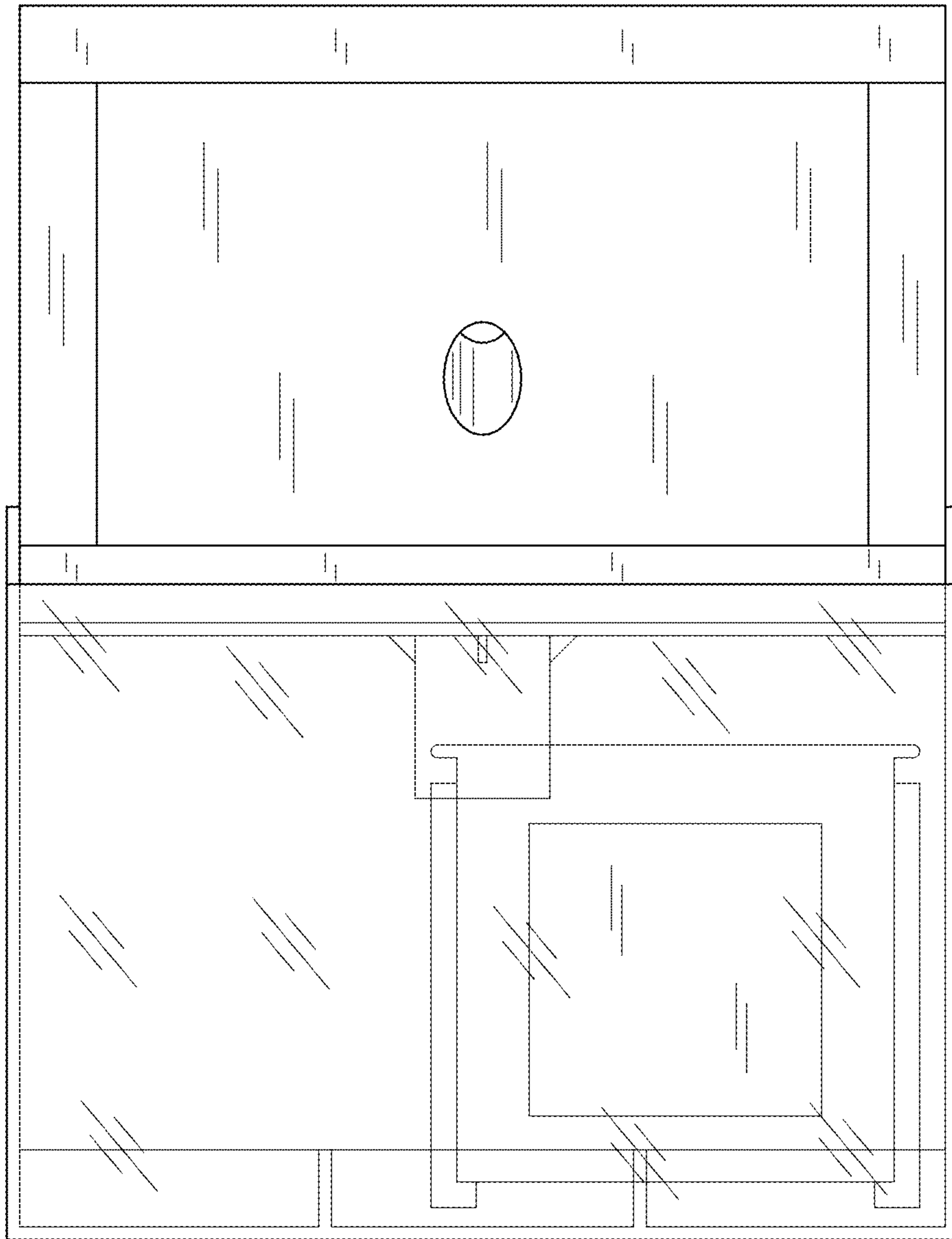


FIG. 4

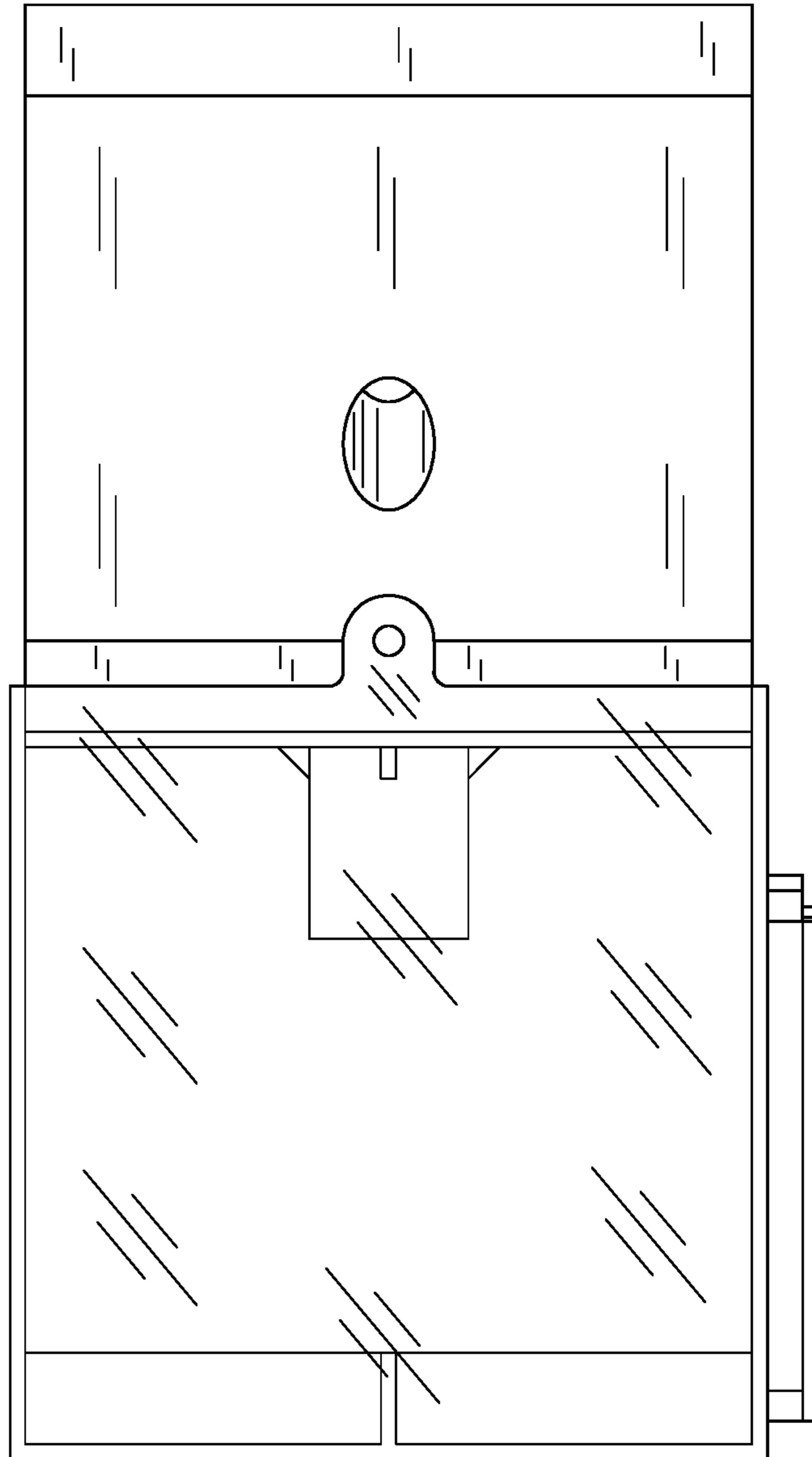


FIG. 5

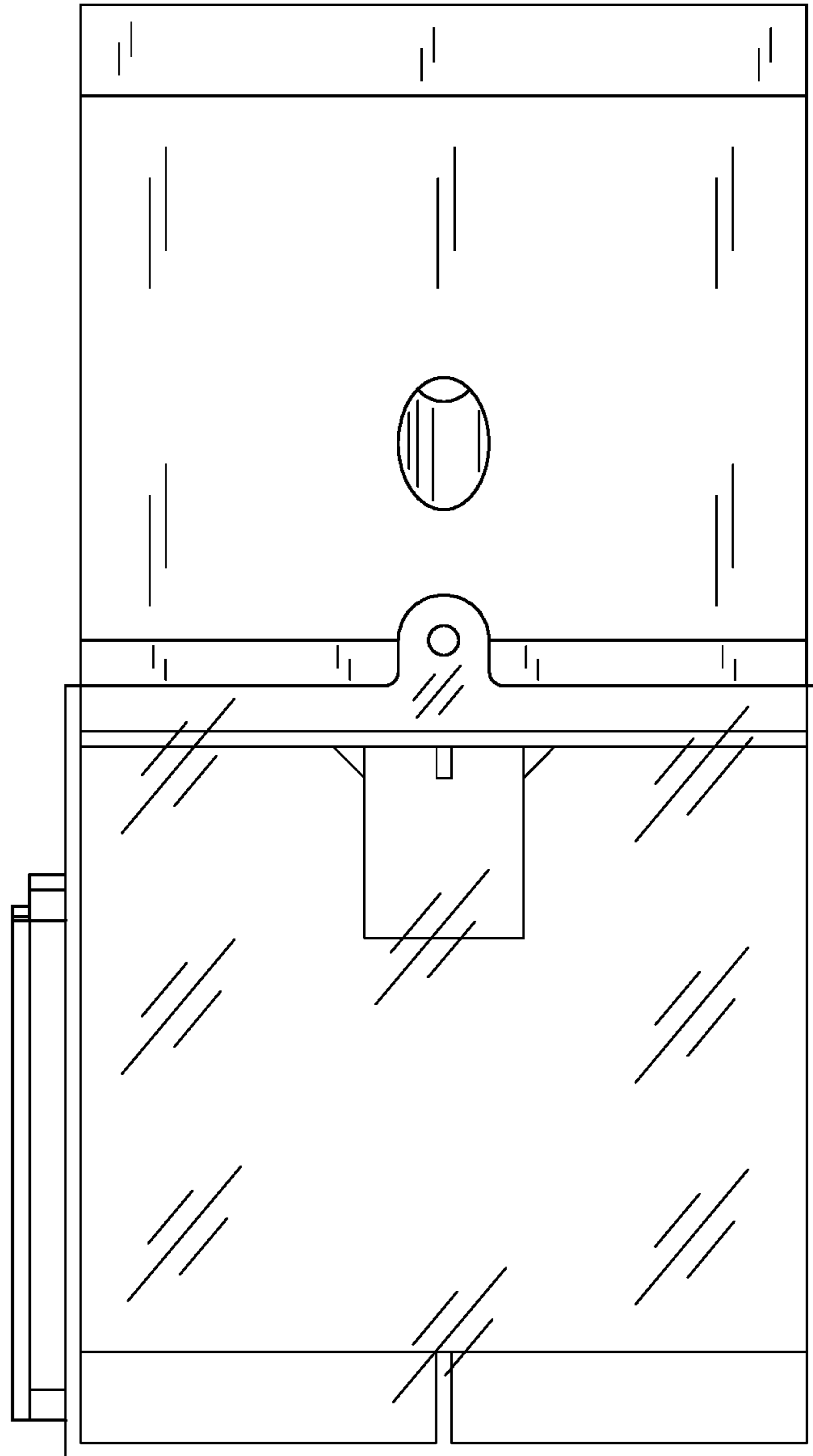


FIG. 6



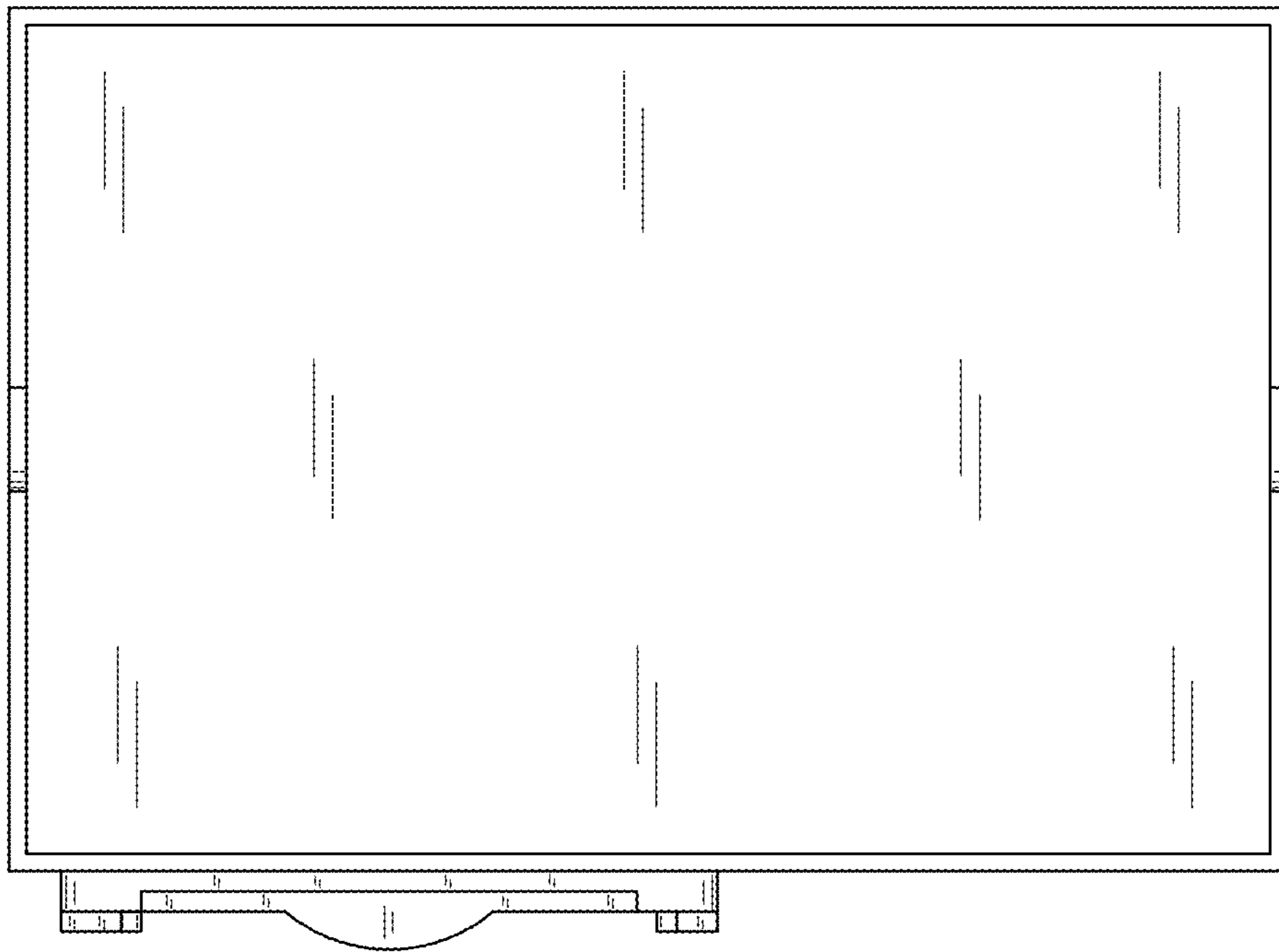


FIG. 7

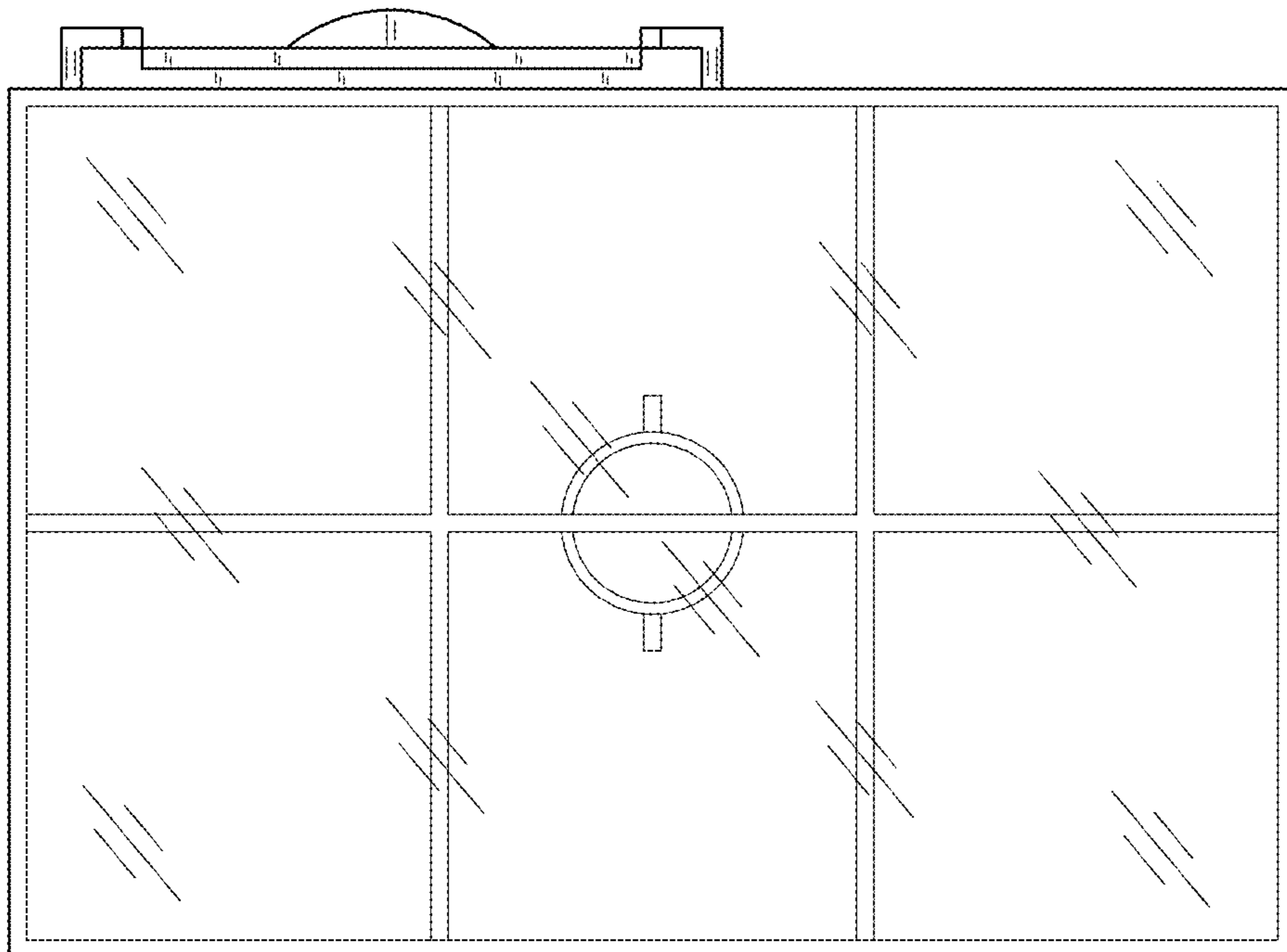


FIG. 8

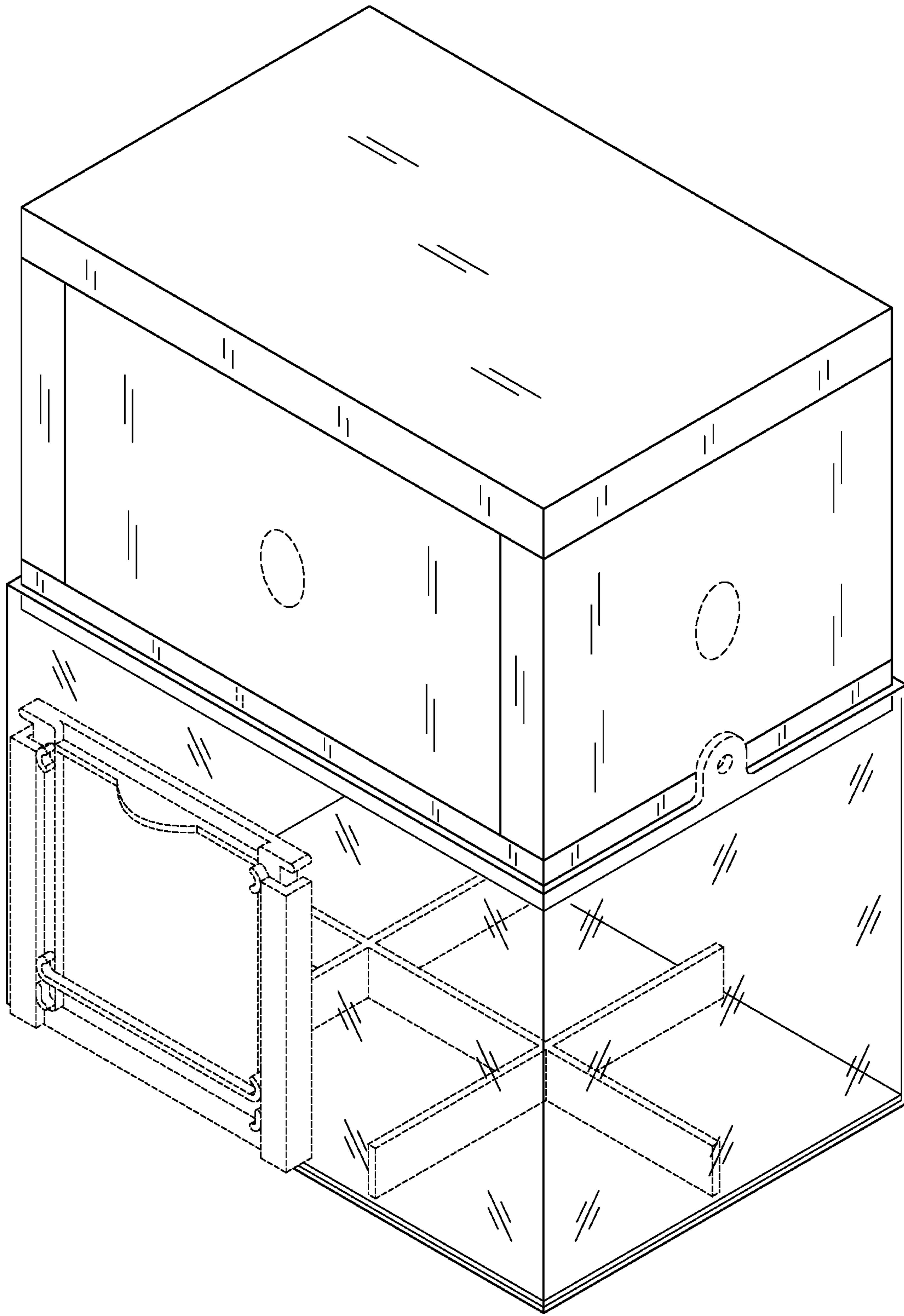


FIG. 9

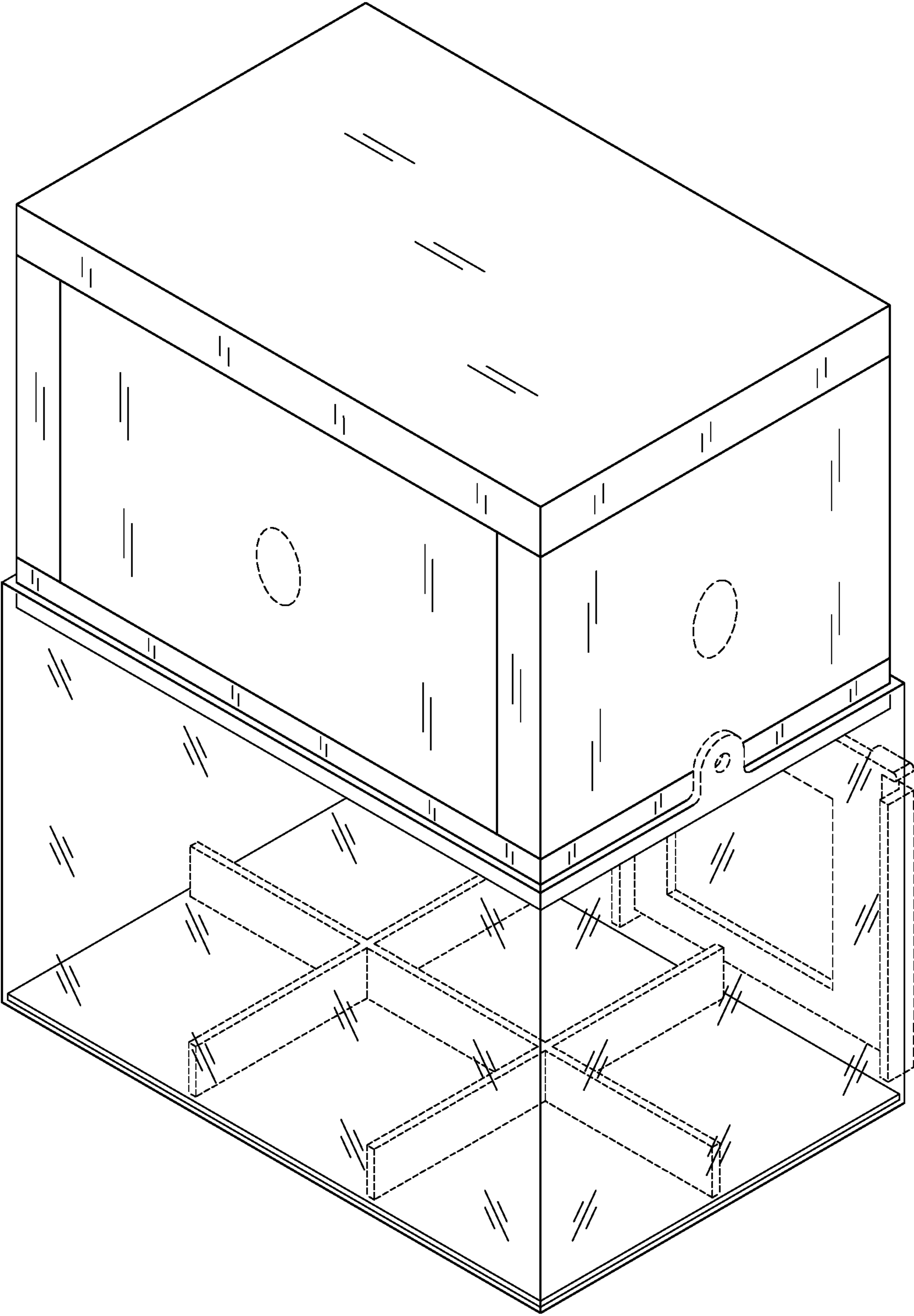


FIG. 10

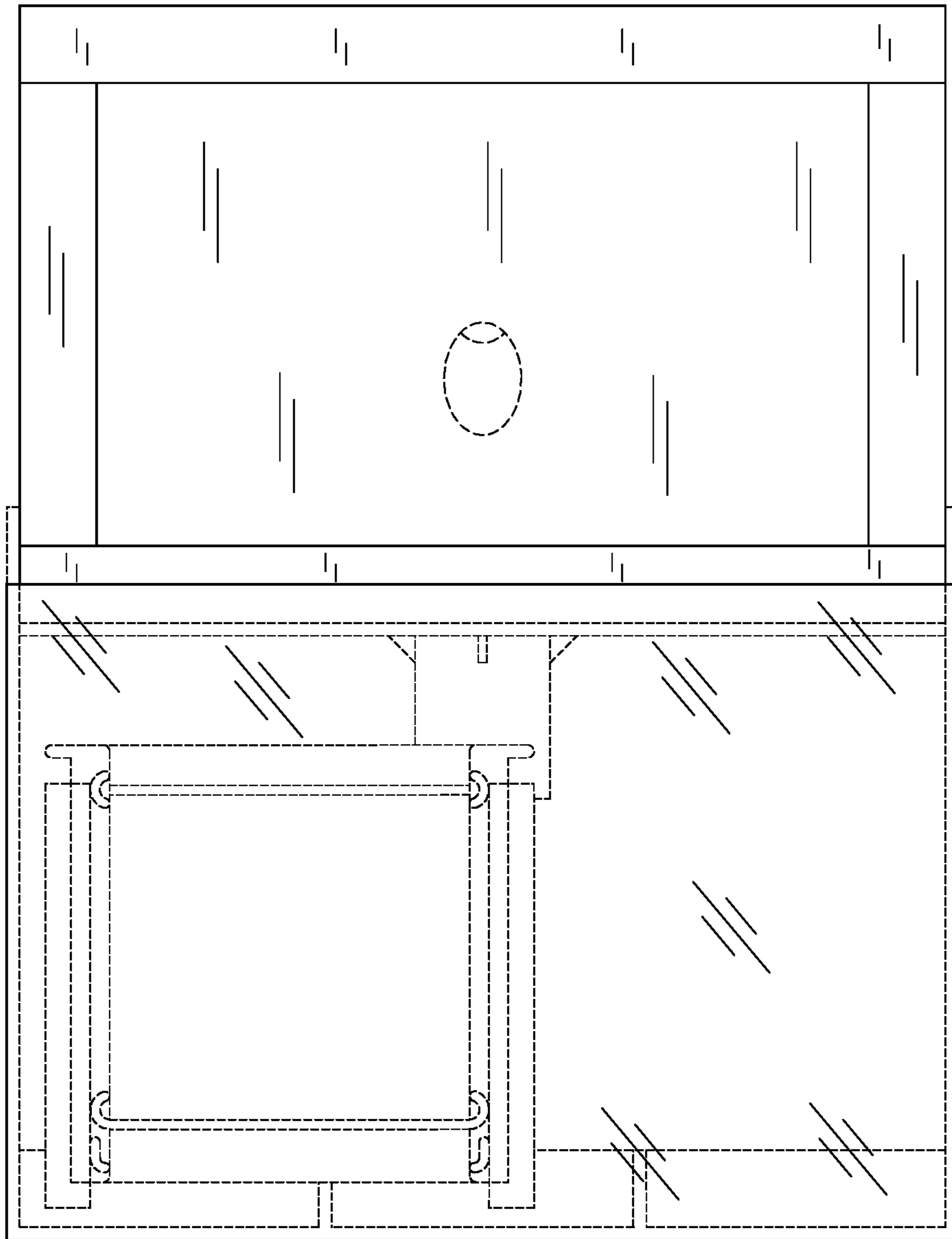


FIG. 11

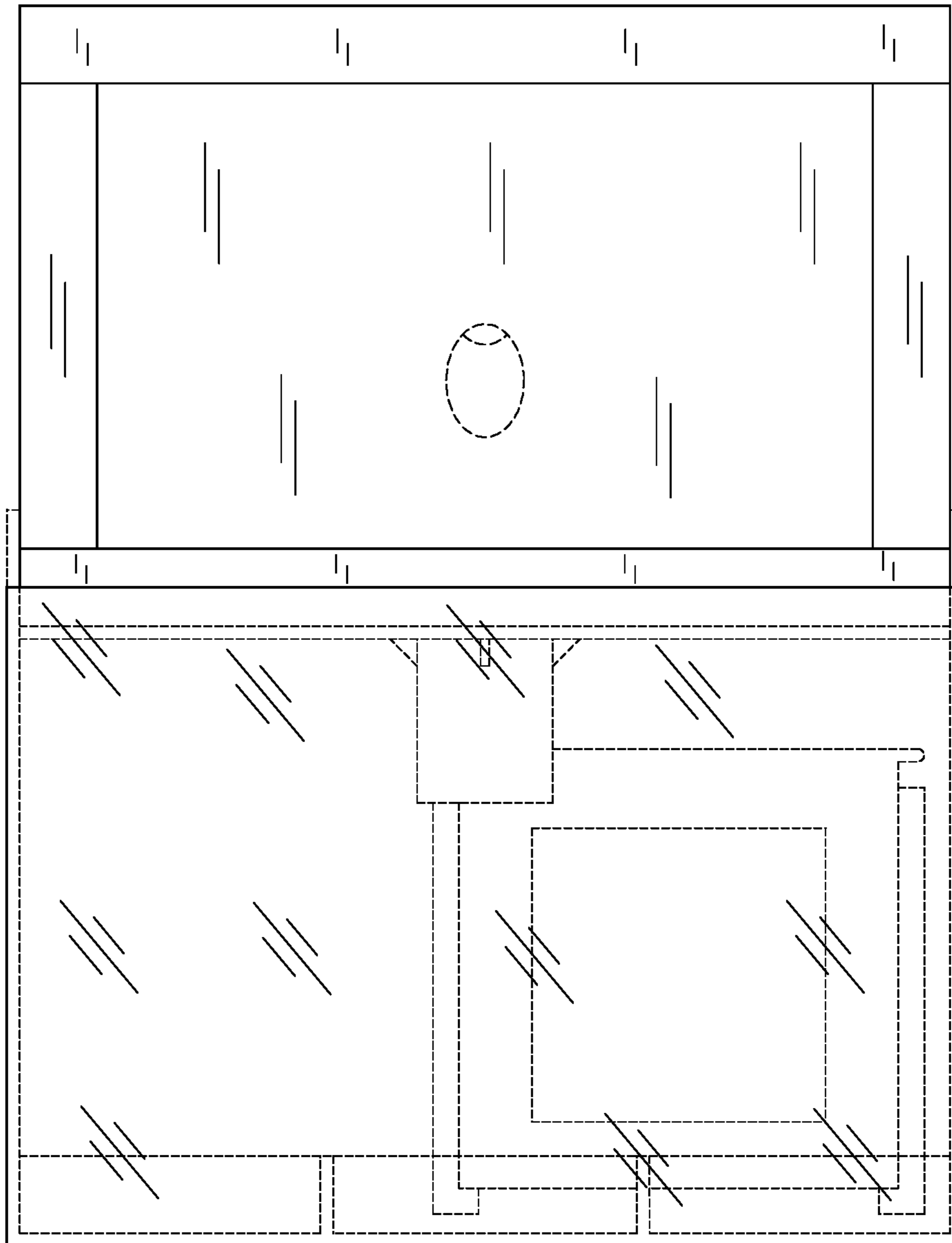


FIG. 12

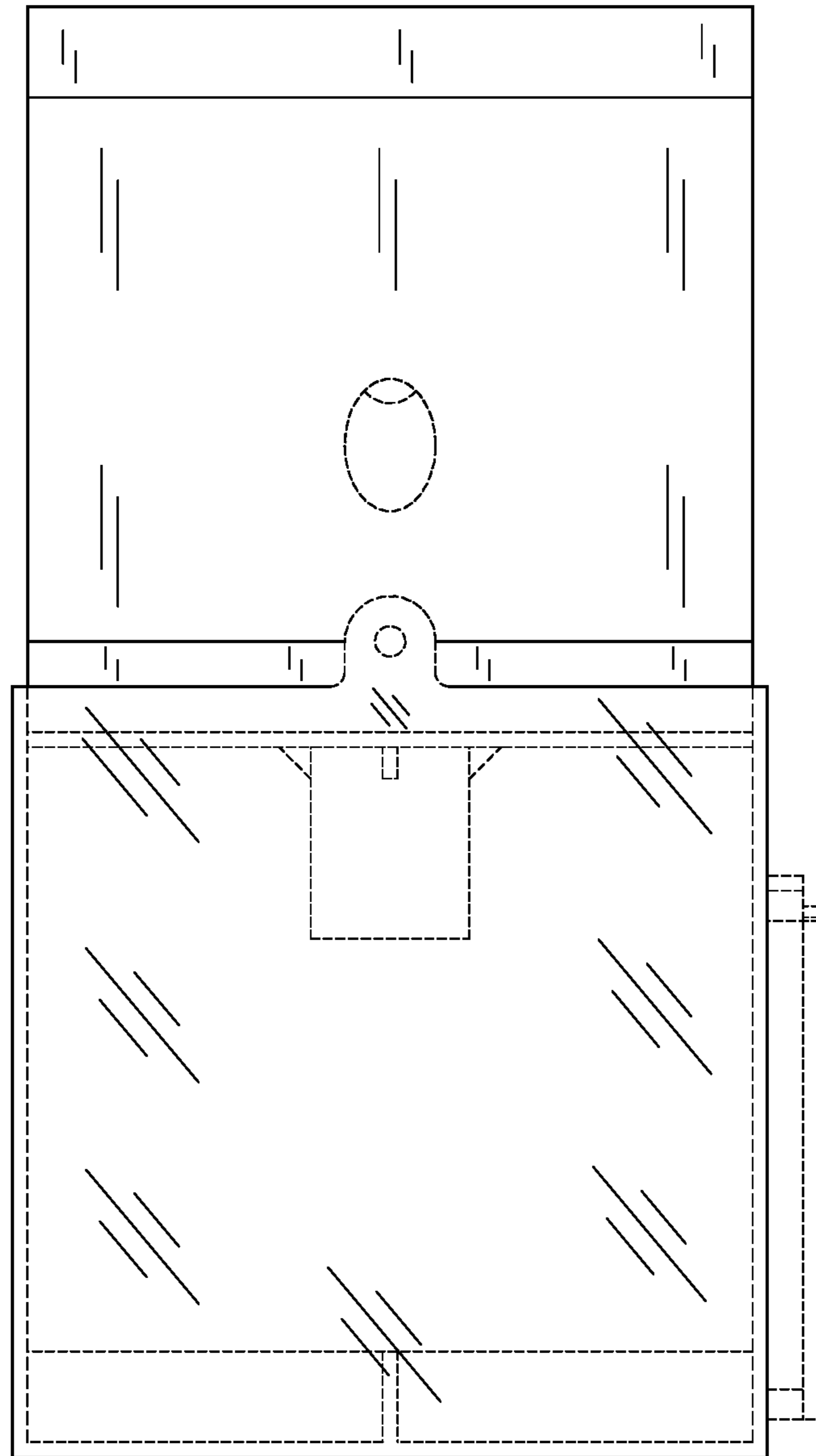


FIG. 13



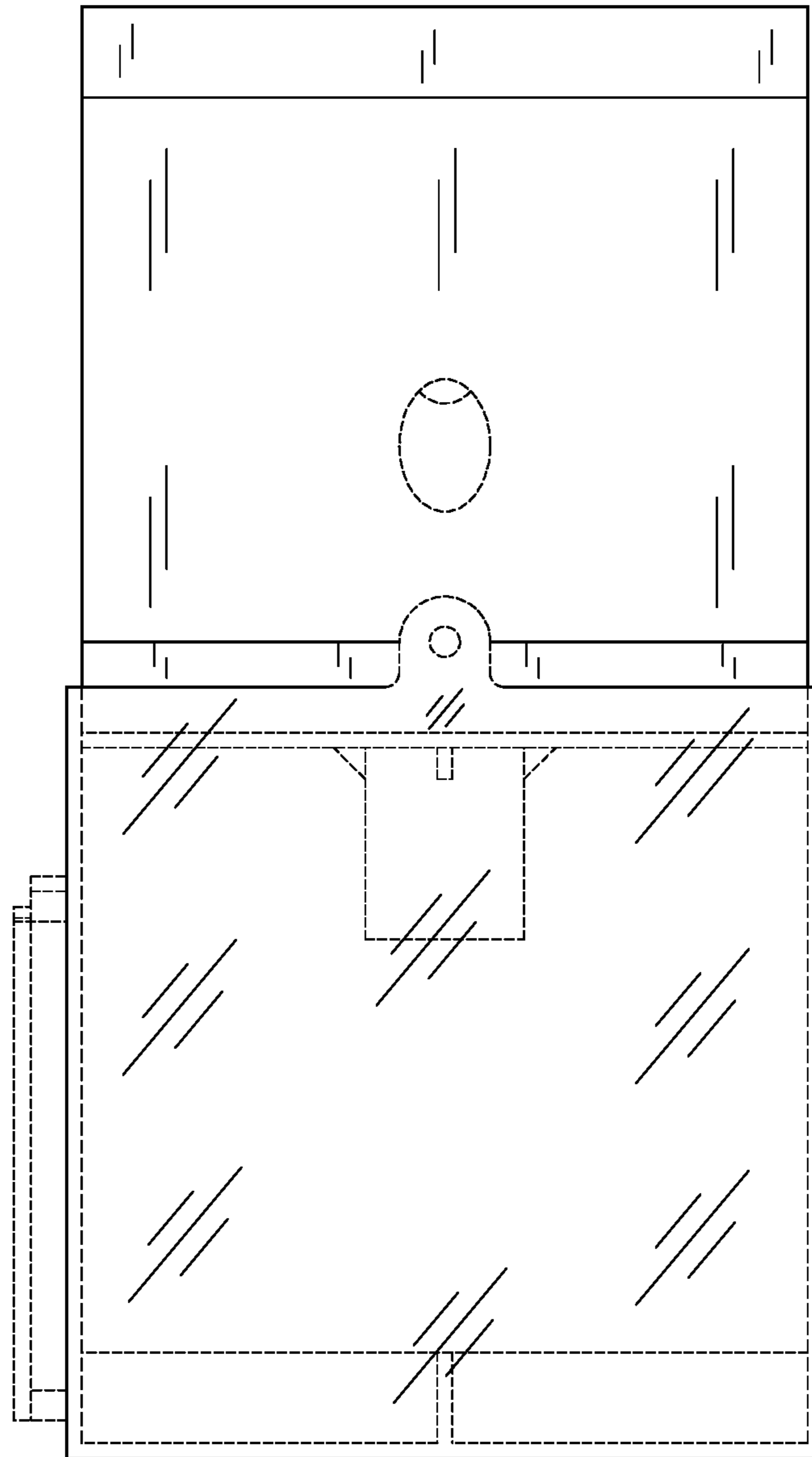


FIG. 14

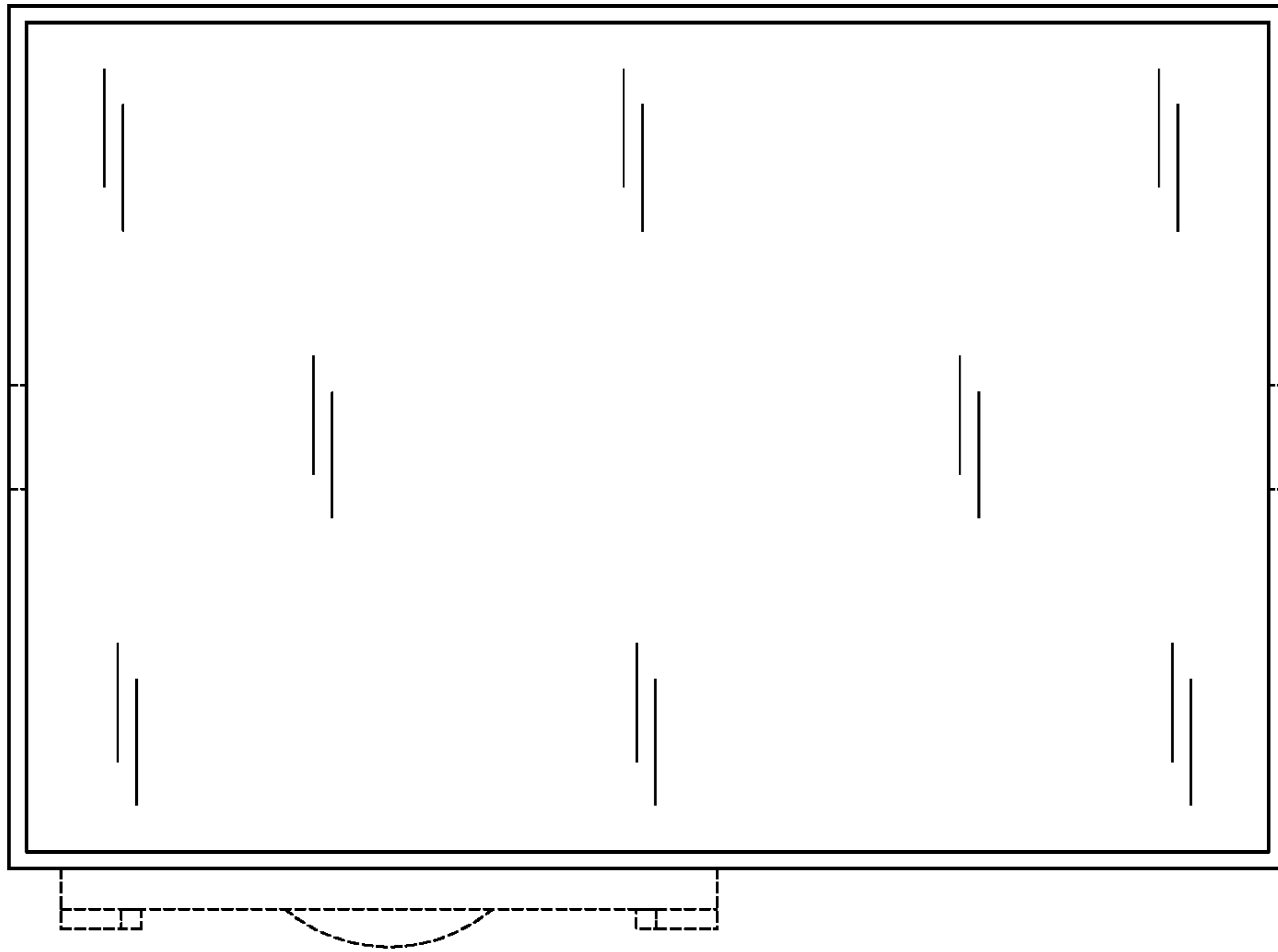


FIG. 15

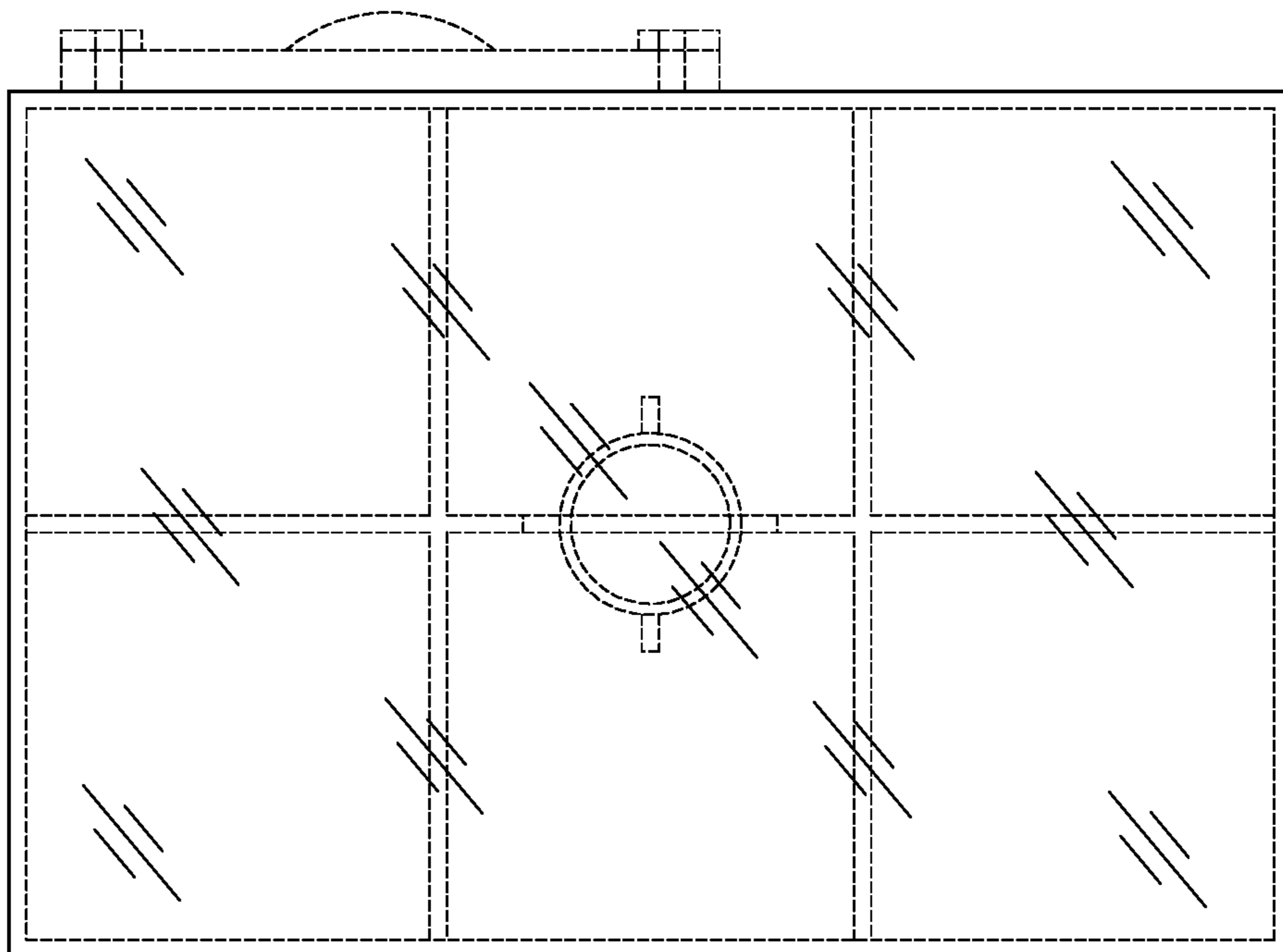


FIG. 16